

ROUND PIPE				HORIZONTAL ELLIPTICAL PIPE			
INSIDE DIAMETER OF PIPE (INCHES)	"W" PAYLINE WIDTH OF TRENCH (INCHES)	"M" PAYLINE WIDTH OF TRENCH (INCHES)	PAY-VOLUMES CU FT PER FT OF CONCRETE ENCASEMENT	INSIDE DIMENSIONS OF PIPE (INCHES)	"W" PAYLINE WIDTH OF TRENCH (INCHES)	"M" PAYLINE WIDTH OF TRENCH (INCHES)	PAY-VOLUMES CU FT PER FT OF CONCRETE ENCASEMENT
4	30	2.50	3.28				
6	30	2.50	3.59				
8	30	2.50	3.87				
10	30	2.50	4.09				
12	30	2.50	4.25				
15	36	3.00	5.55				
18	36	3.00	5.77	14 x 23	41	3.42	5.94
21	39	3.25	6.61				
24	42	3.50	7.39	19 x 30	49	4.08	7.68
27	45	3.75	8.18	22 x 34	53	4.42	8.61
30	48	4.08	9.30	24 x 38	58	4.85	9.70
33	51	4.42	10.53	27 x 42	62	5.17	10.71
36	54	4.87	11.43	29 x 45	66	5.50	11.72
39	57	5.25	12.58	32 x 49	71	5.92	13.14
42	63	5.25	13.58	34 x 53	75	6.25	14.05
48	70	5.83	15.87	38 x 60	83	6.92	16.18
54	77	6.42	18.15	43 x 68	92	7.67	18.84
60	84	7.00	20.73	48 x 76	101	8.42	21.59
66	91	7.58	23.45	53 x 83	109	9.08	24.35
72	98	8.17	26.37	58 x 91	118	9.83	27.43
78	105	8.75	29.38	63 x 98	126	10.50	30.50
84	112	9.33	32.57	68 x 106	135	11.25	33.81
90	119	9.92	35.90	72 x 113	143	11.92	36.99
96	126	10.50	39.37	77 x 121	152	12.67	40.69
102	133	11.08	42.99	82 x 128	160	13.33	44.43
108	140	11.67	46.75	87 x 136	168	14.00	47.79
114	147	12.25	50.66	92 x 143	176	14.67	51.70
120	154	12.83	54.72	97 x 151	185	15.42	56.01
126	161	13.42	58.93				
132	168	14.00	63.27	106 x 166	202	16.83	64.48
144	182	15.17	72.40	116 x 180	218	18.17	73.59

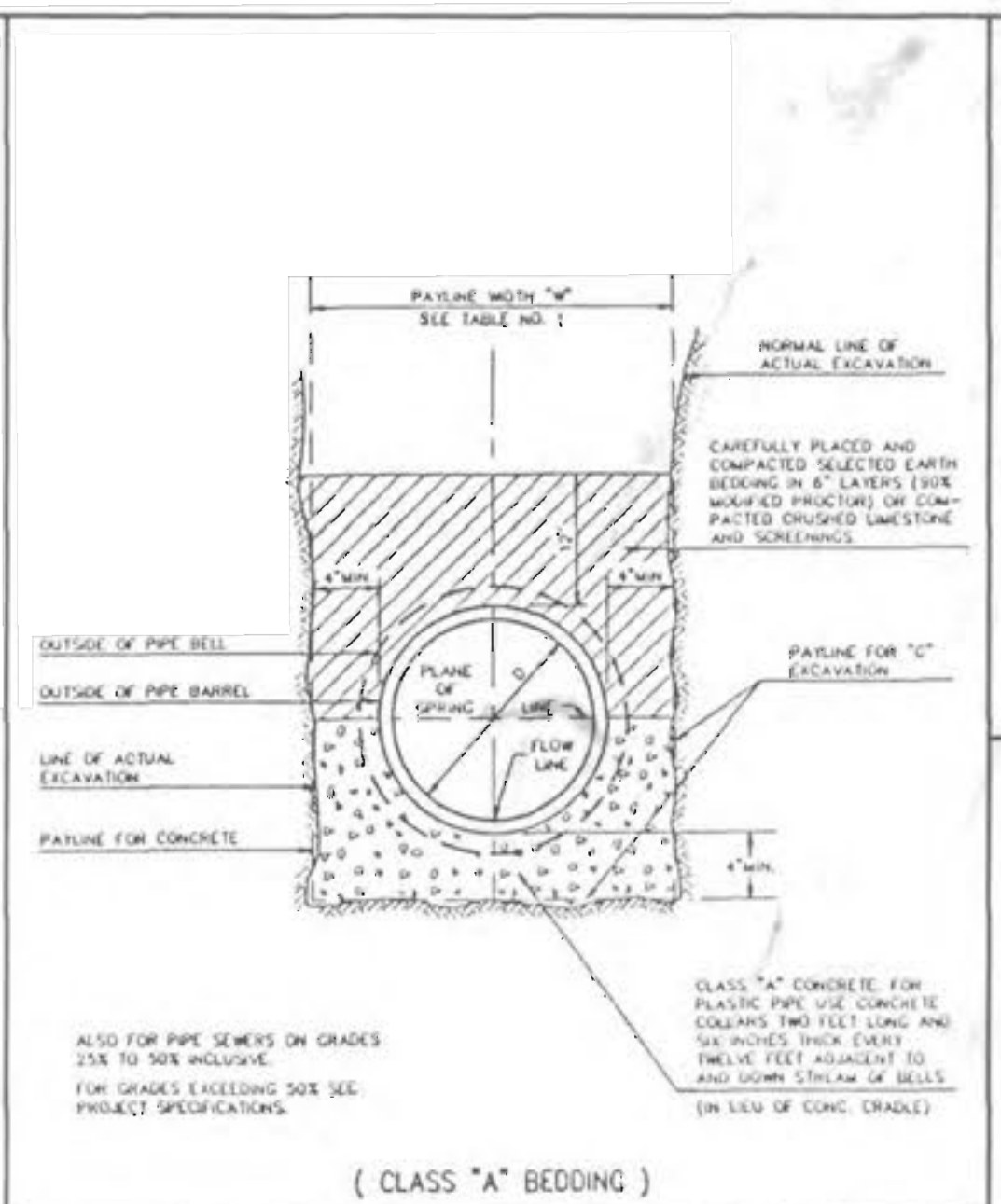
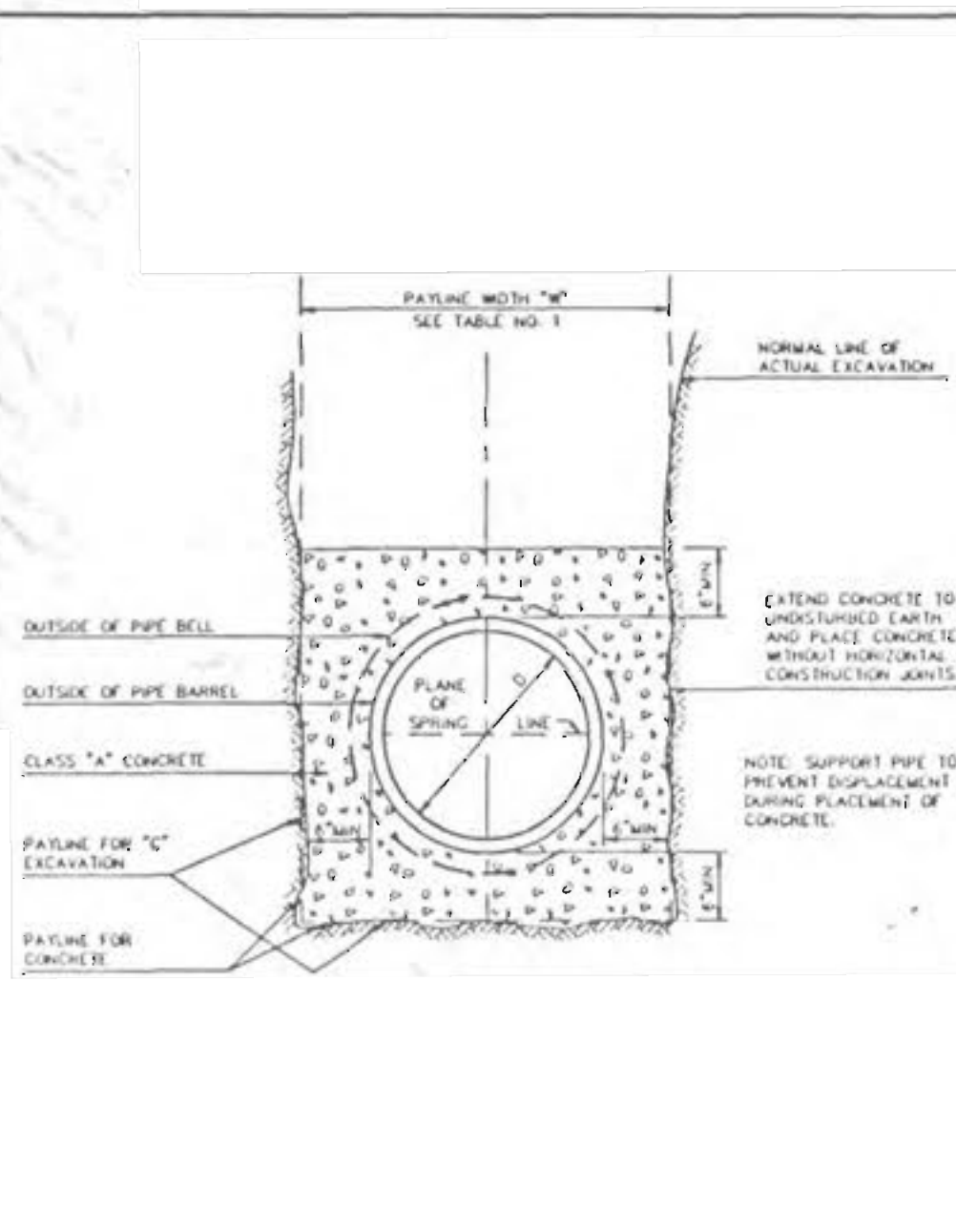
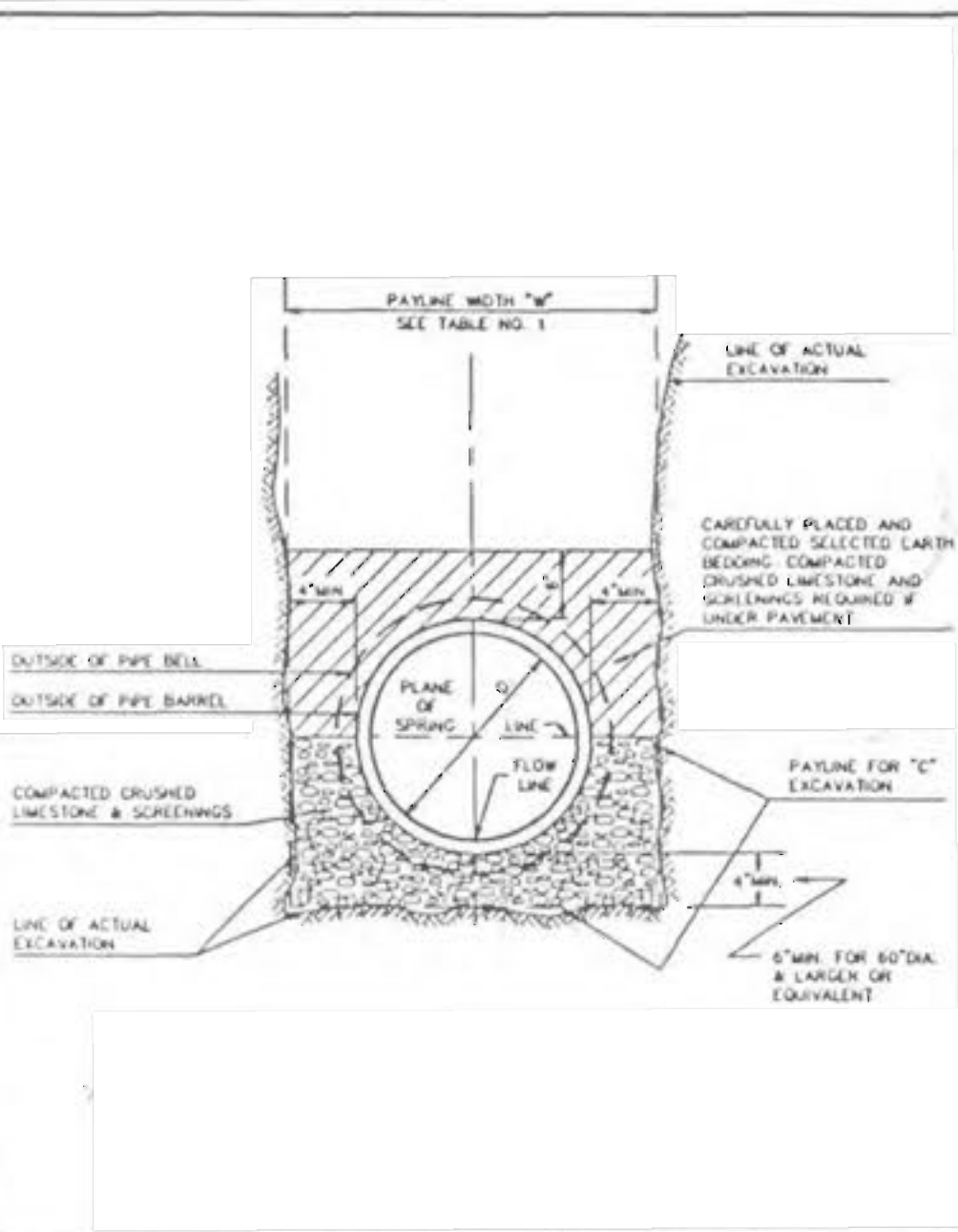
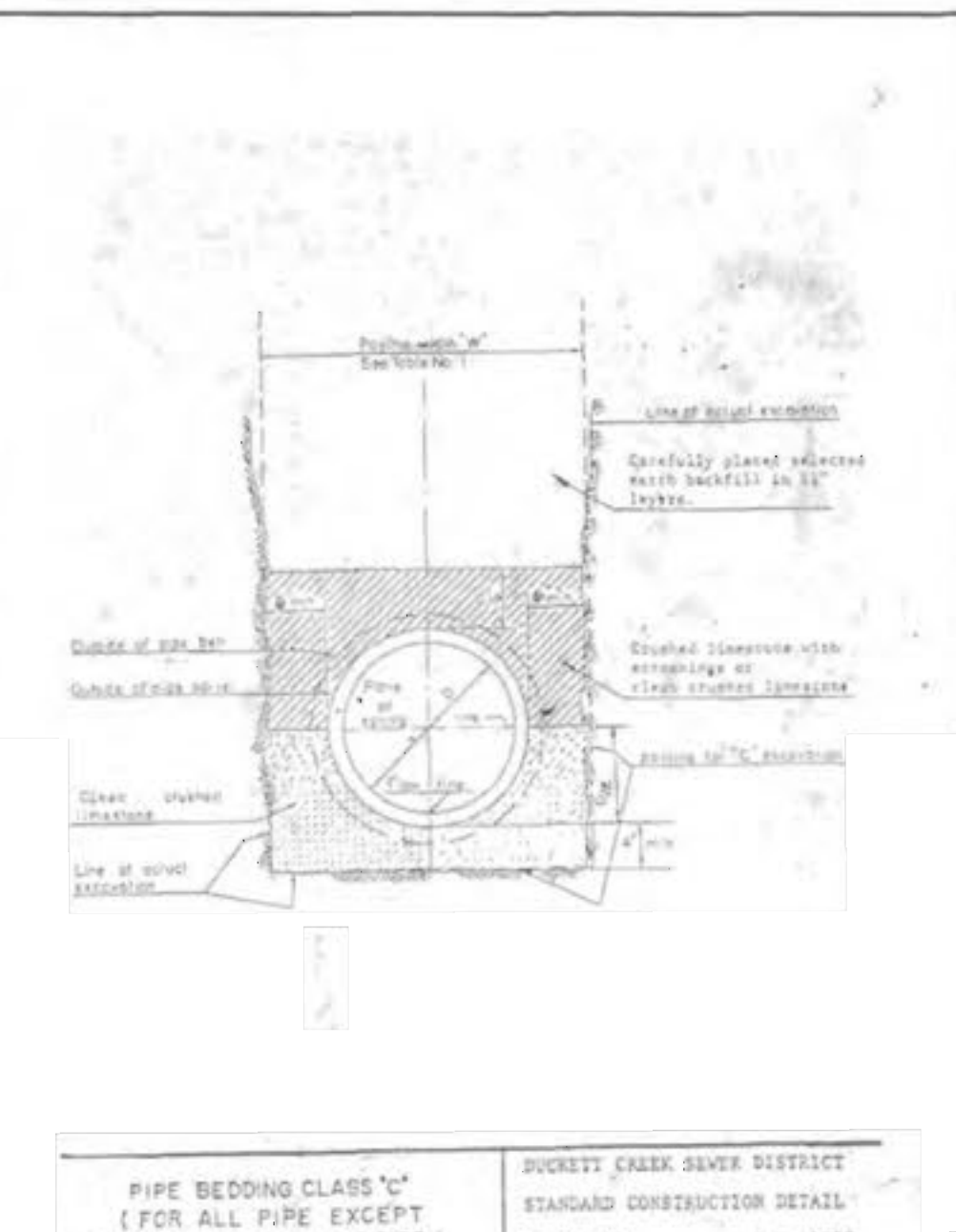
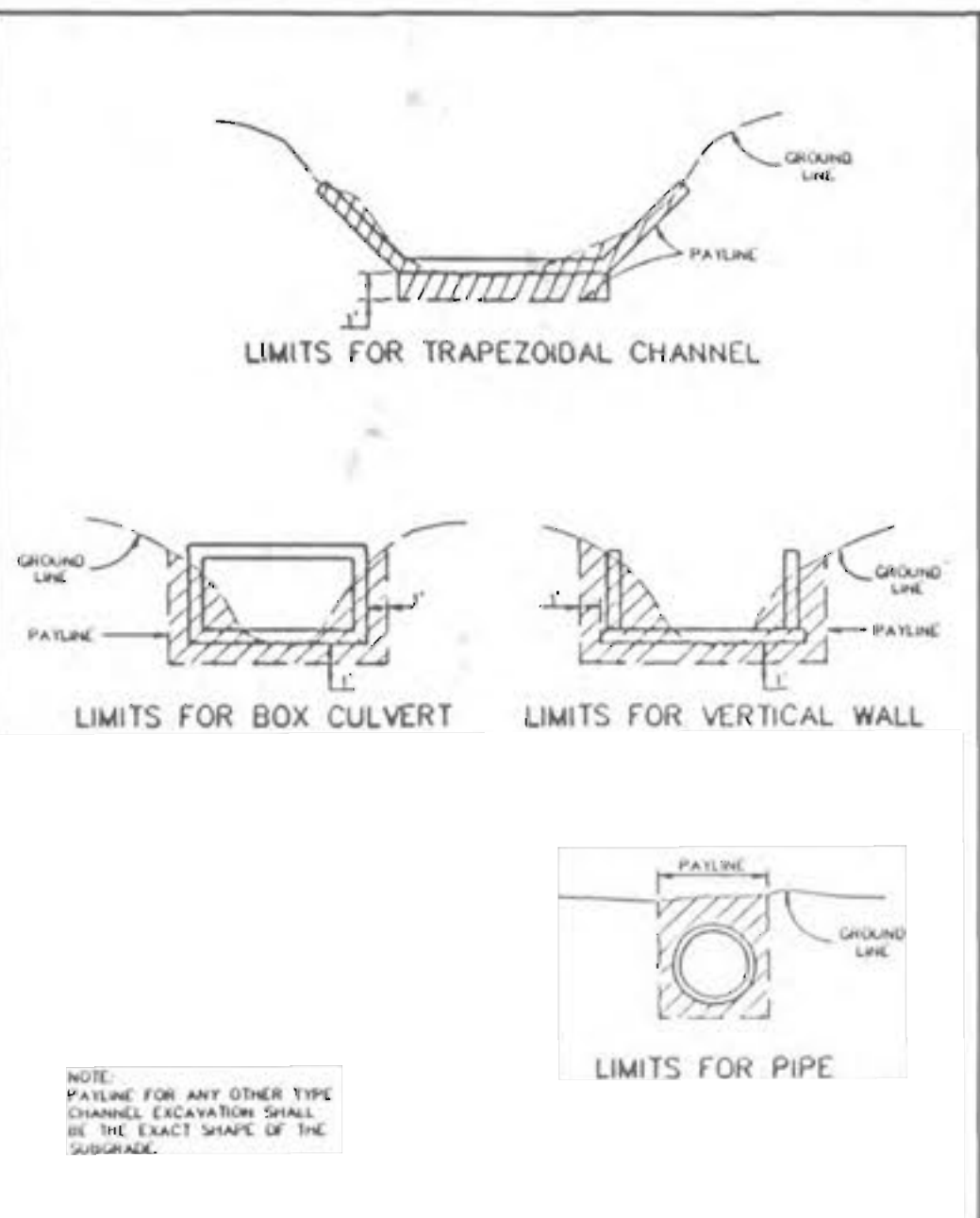


TABLE 1  
PAYLINE WIDTHS OF TRENCH AND PAY-QUANTITIES OF CONCRETE

METROPOLITAN ST. LOUIS SEWER DISTRICT  
Standard Details of Sewer Construction  
Dr. B.E.B. Ch. J.C.K. 1992 SHEET 1

METROPOLITAN ST. LOUIS SEWER DISTRICT  
Standard Details of Sewer Construction  
Dr. W.S.H. Ch. J.C.K. 1992 SHEET 2

METROPOLITAN ST. LOUIS SEWER DISTRICT  
Standard Details of Sewer Construction  
Dr. W.S.H. Ch. J.C.K. 1992 SHEET 4

METROPOLITAN ST. LOUIS SEWER DISTRICT  
Standard Details of Sewer Construction  
Dr. W.S.H. Ch. J.C.K. 1992 SHEET 5

METROPOLITAN ST. LOUIS SEWER DISTRICT  
Standard Details of Sewer Construction  
Dr. W.S.H. Ch. J.C.K. 1992 SHEET 6

SECTION OF MANHOLE		DIMENSION	
TOP TRANSITION	UPPER	26 1/2" DIA.	
	LOWER	42" DIA.	
BOTTOM SECTION	8" THRU 24" DIA. PIPE	42" DIA.	
	27" THRU 36" DIA. PIPE	42" SQUARE	

NOTE: MANHOLE STEPS UNIFORMLY SPACED AT MAX. 16" C/C.

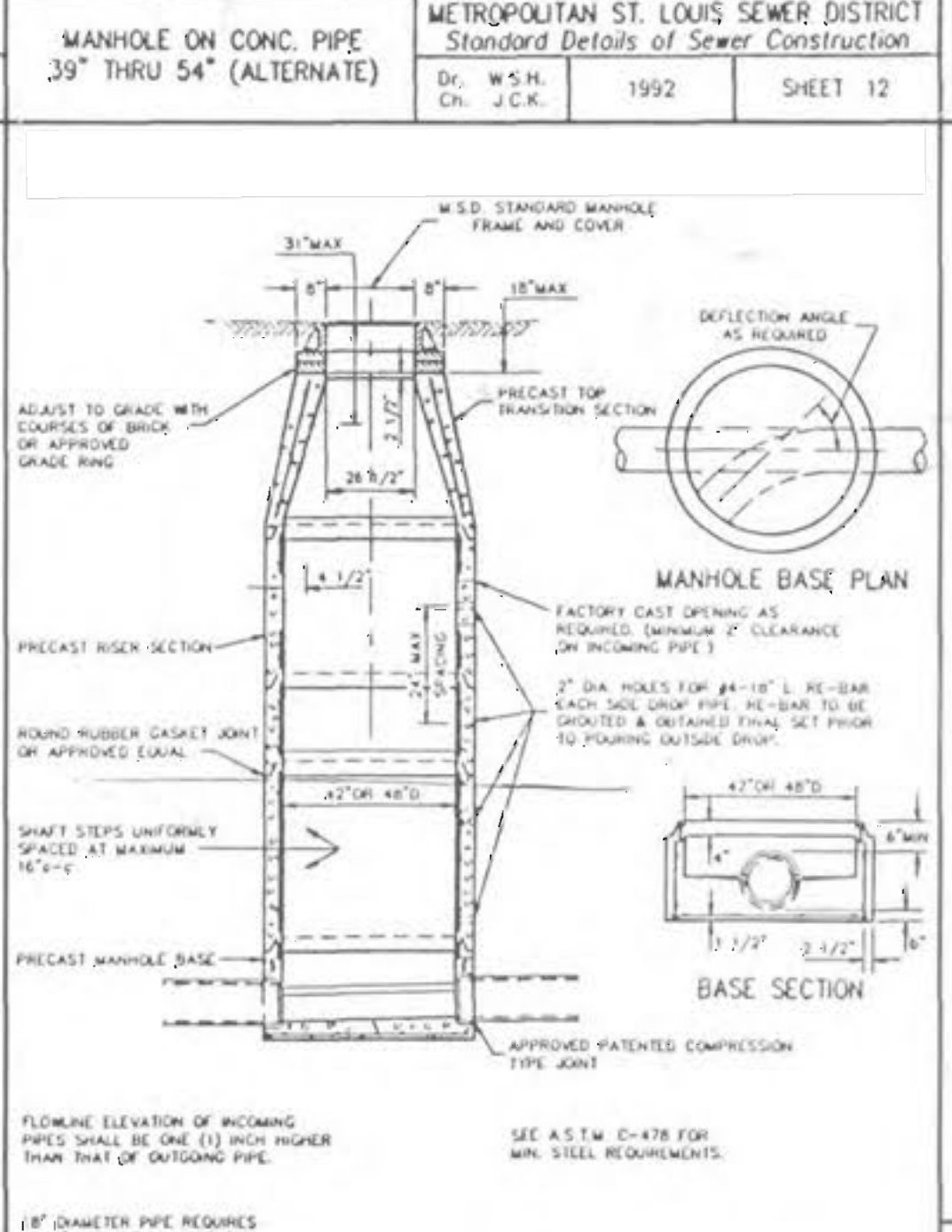
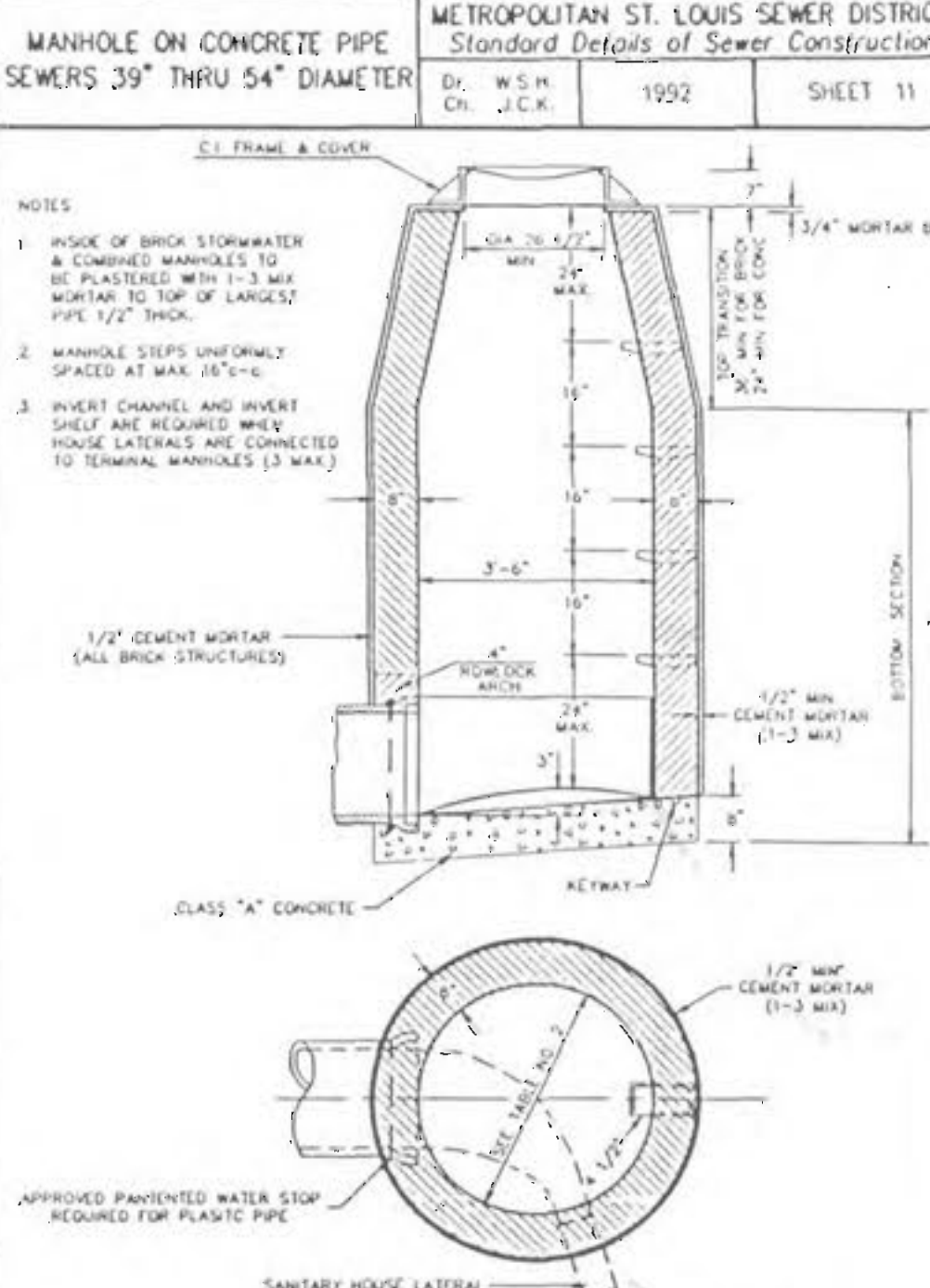
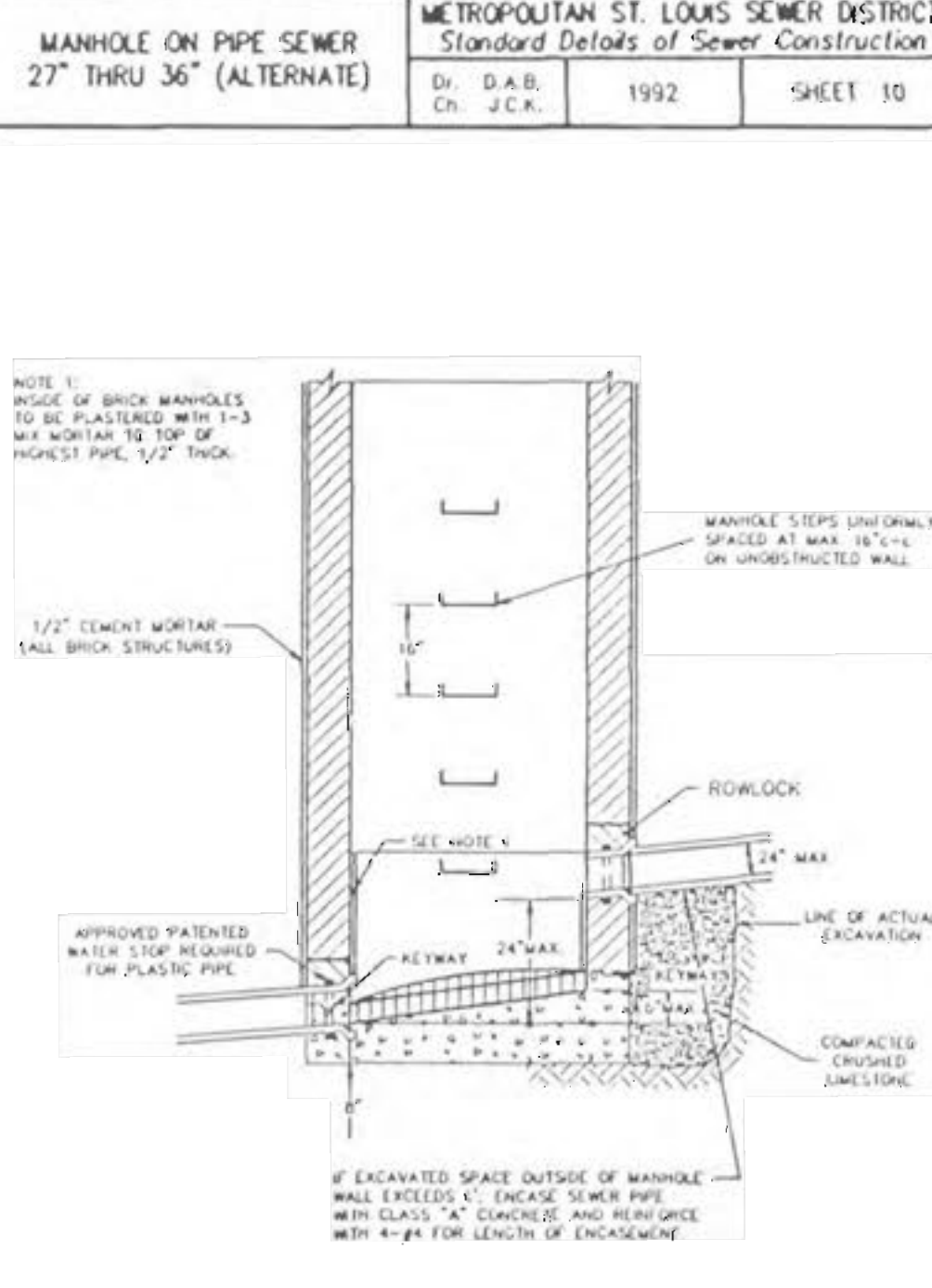
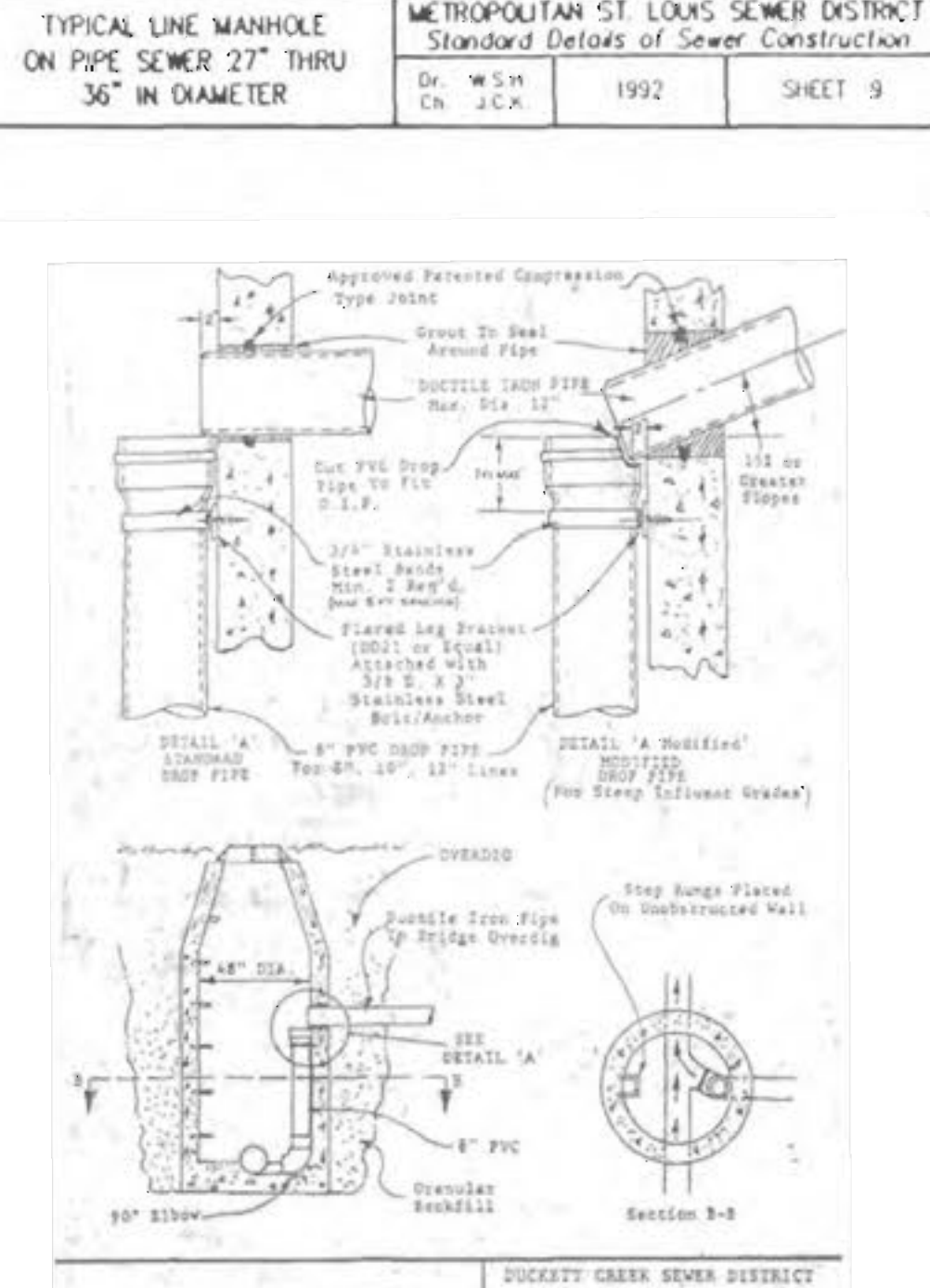
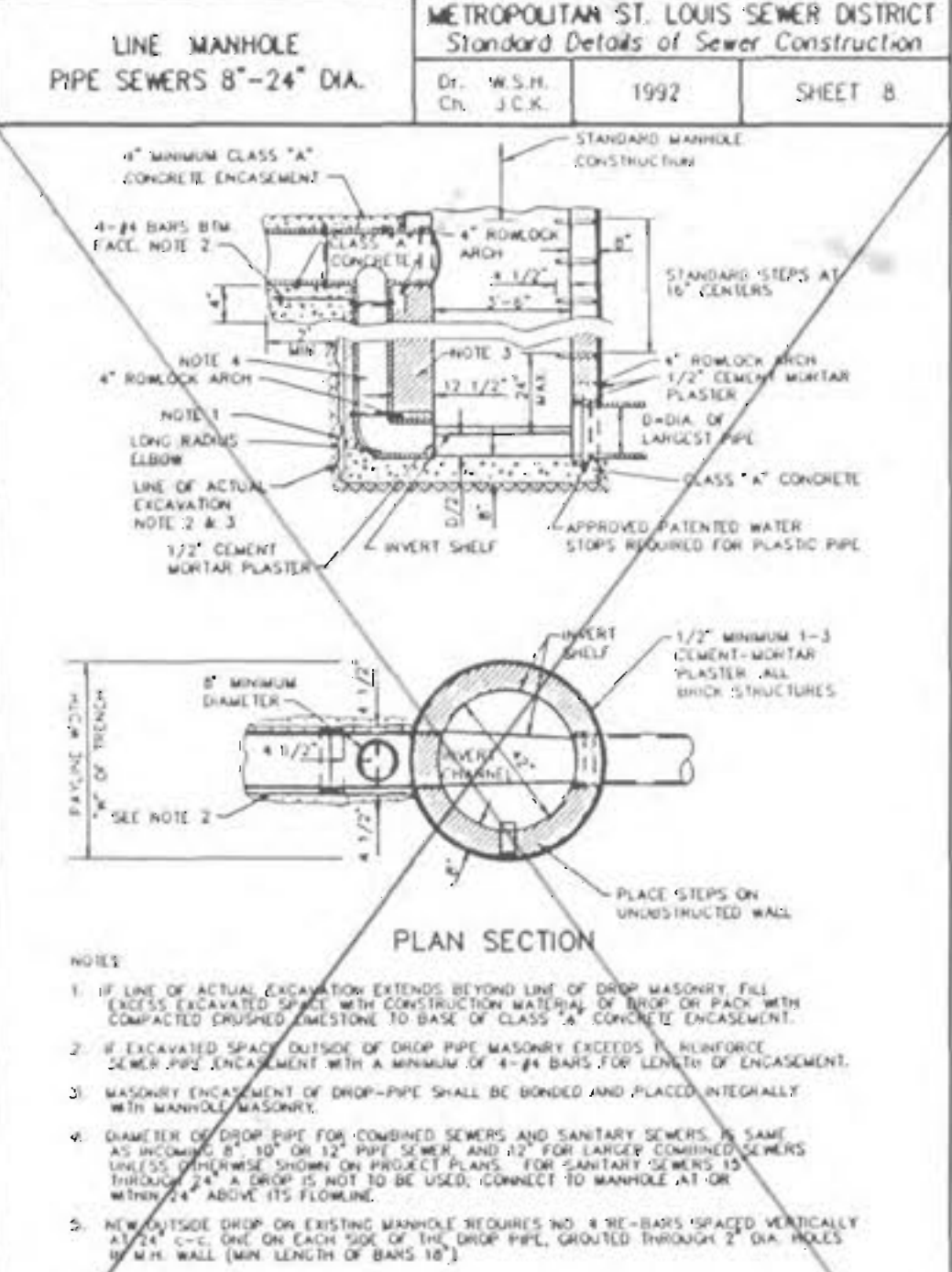
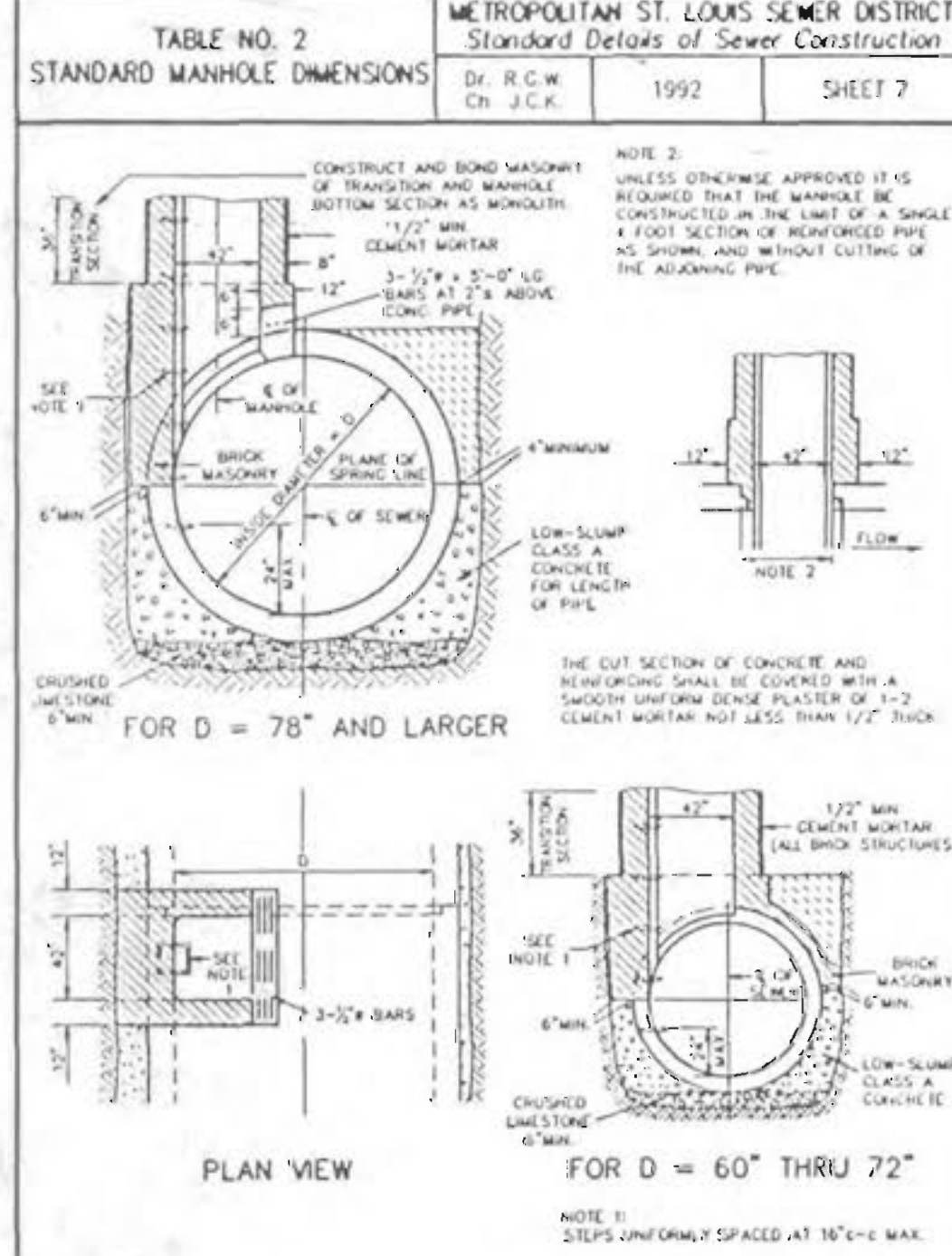
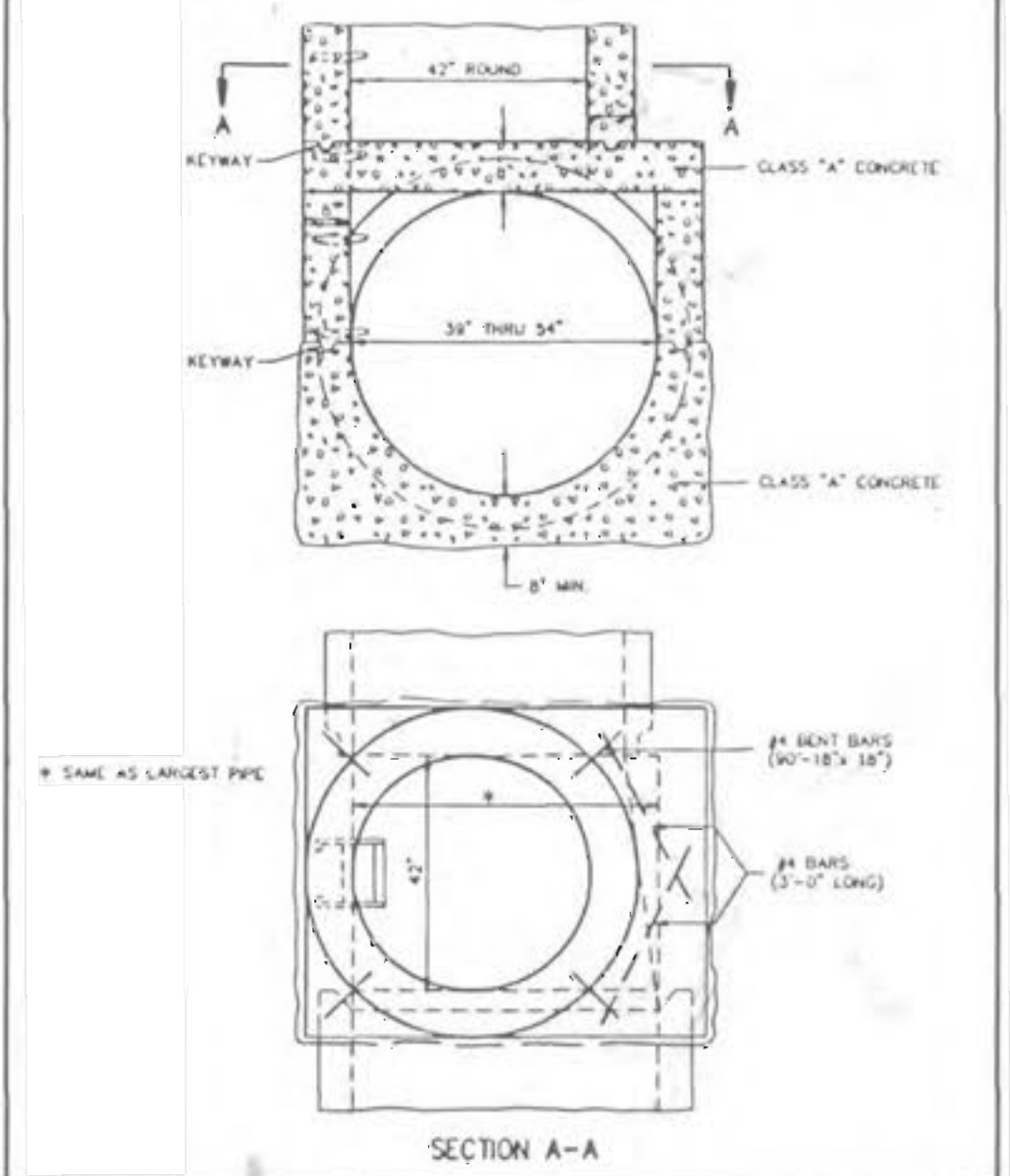
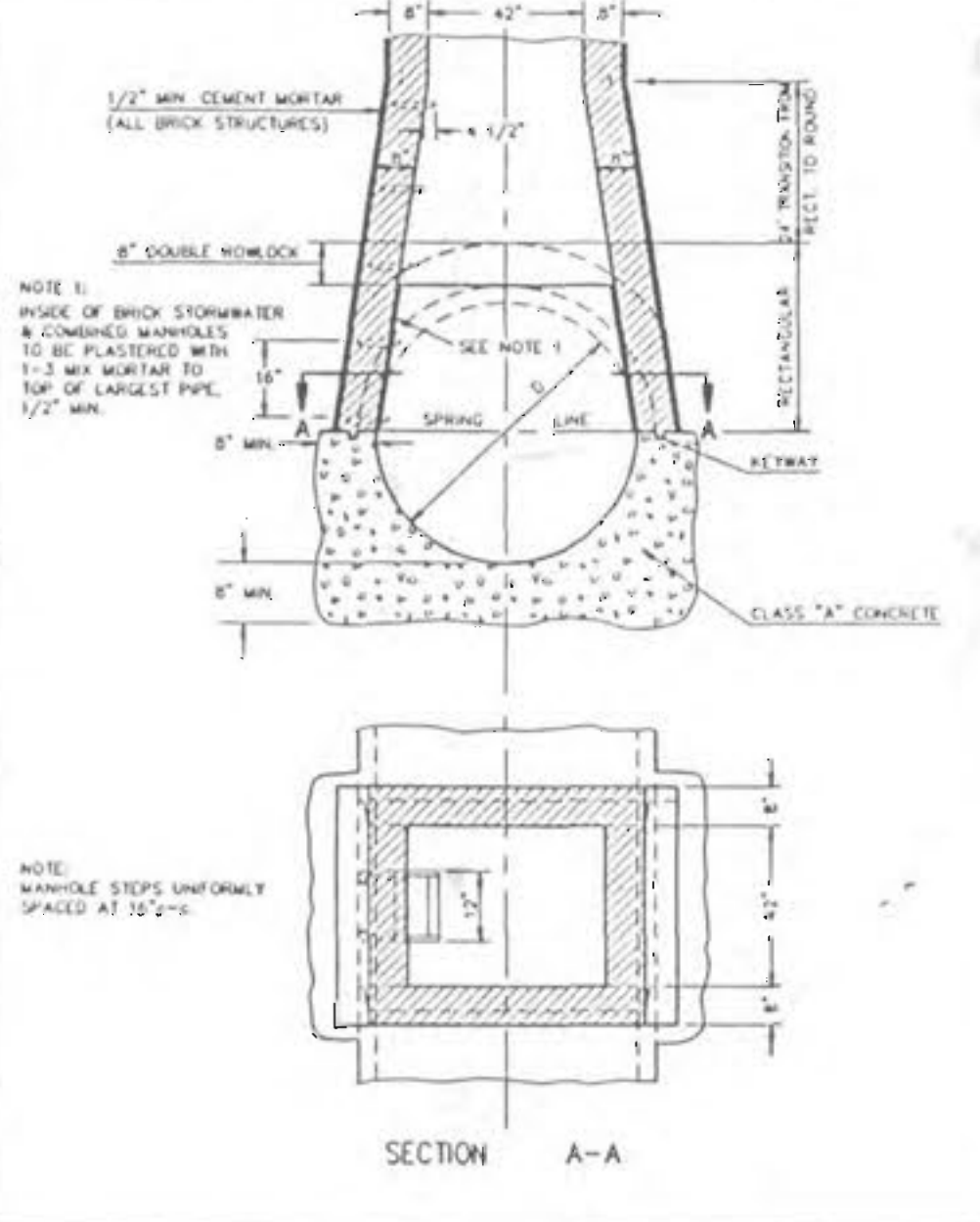
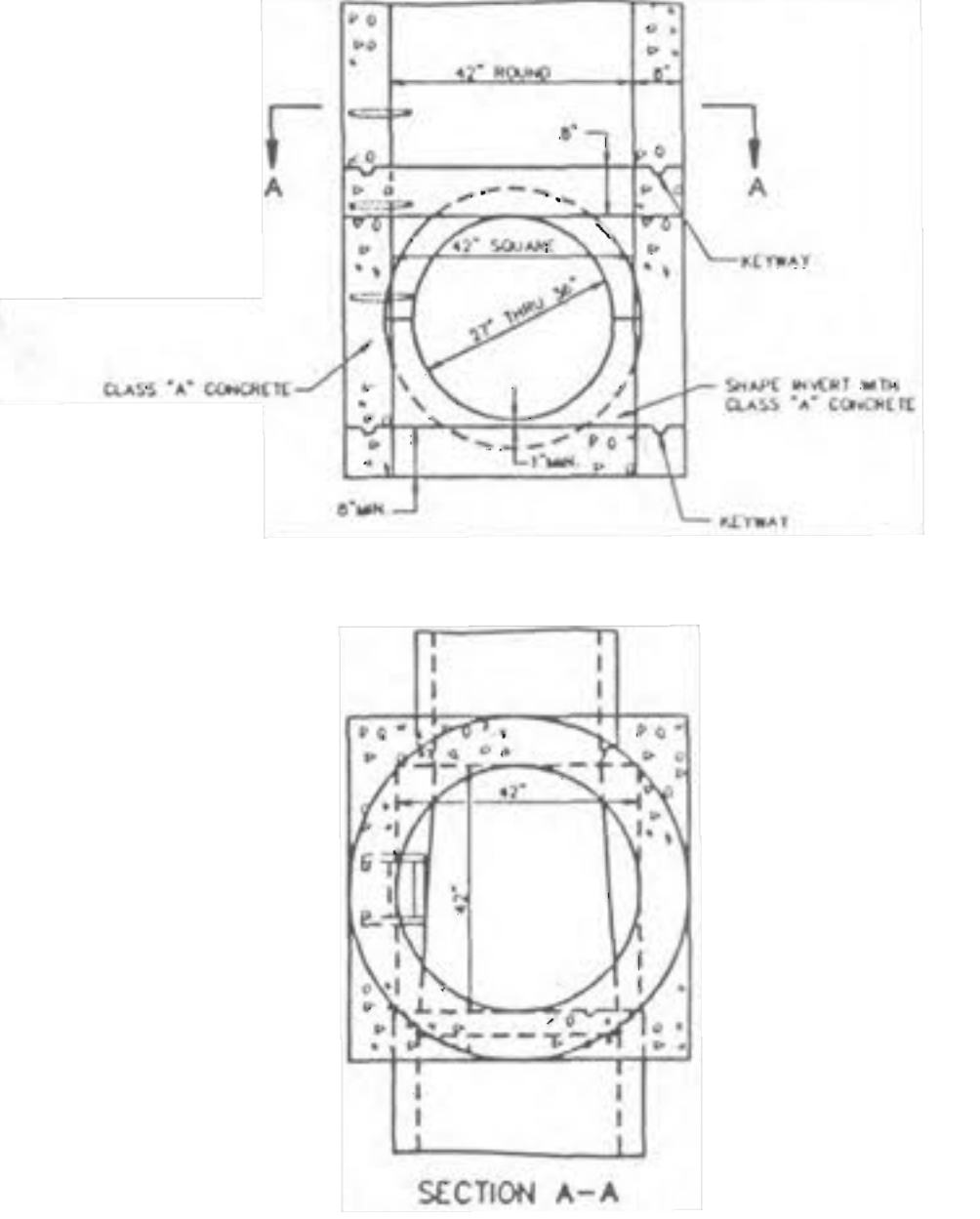
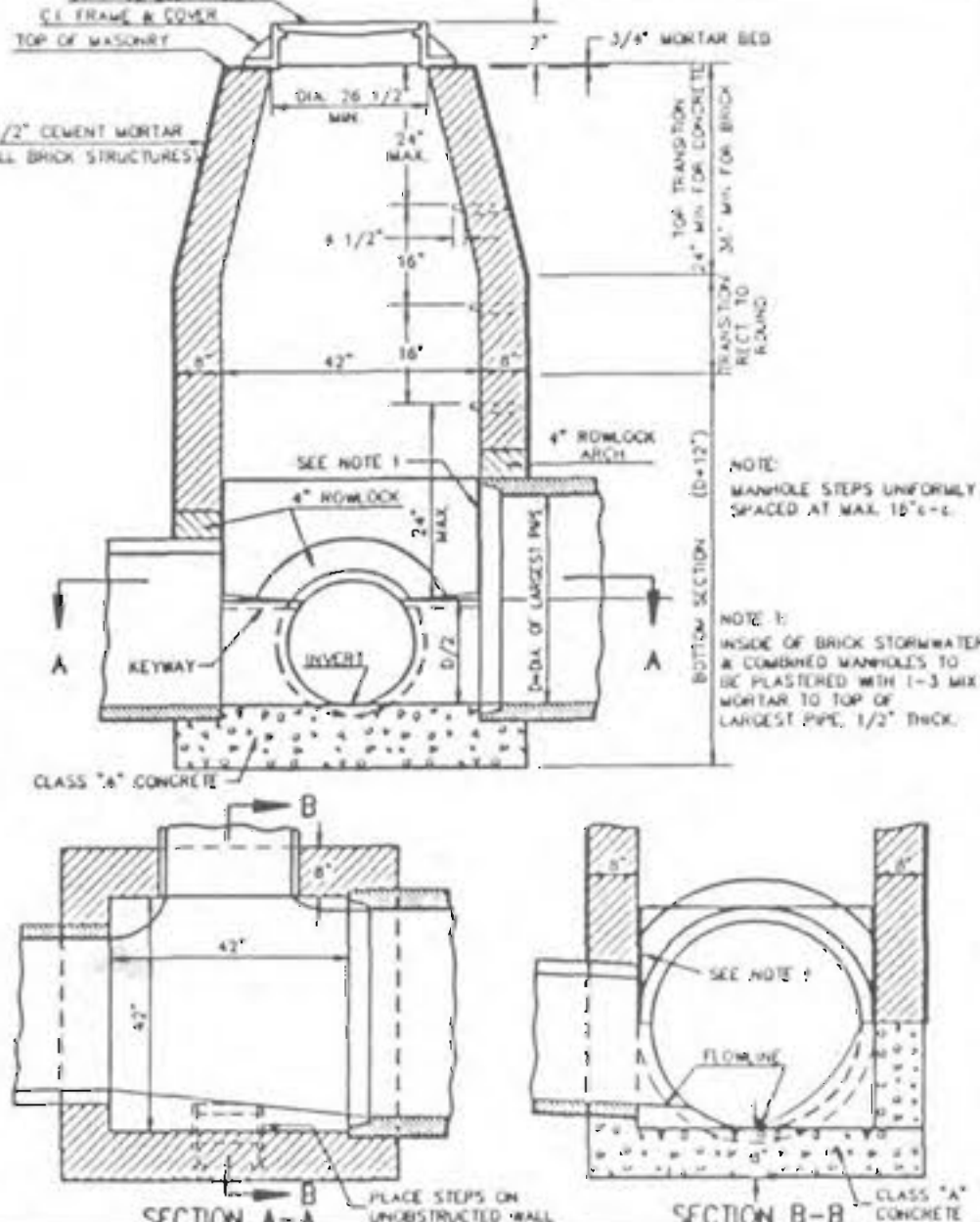
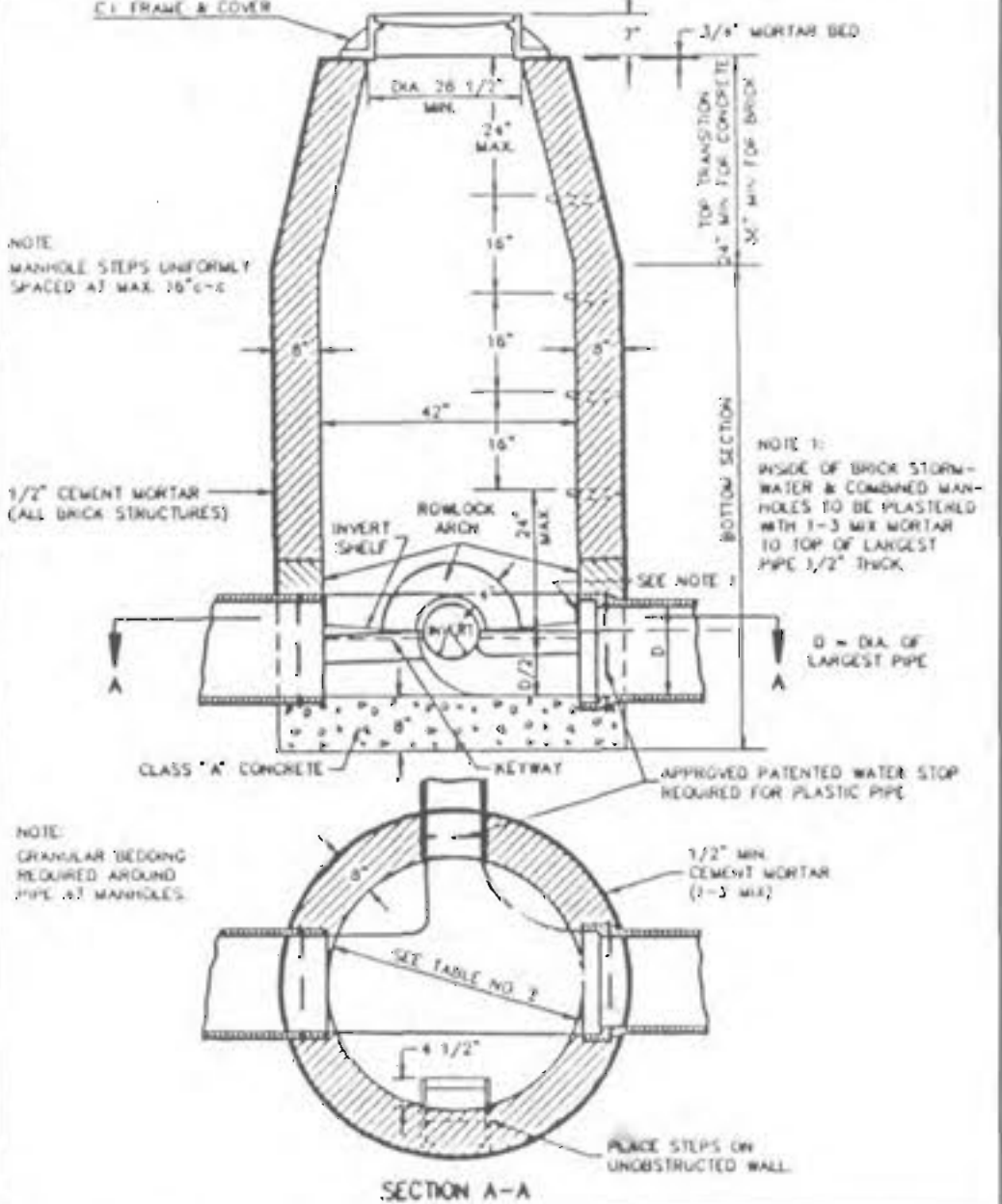
NOTE: BRICK STORMWATER & COMBINED MANHOLES TO BE PLASTERED WITH 1-3 MIX MORTAR TO TOP OF LARGEST PIPE 1/2" THICK.

NOTE: MANHOLE STEPS UNIFORMLY SPACED AT MAX. 16" C/C.

NOTE: BRICK STORMWATER & COMBINED MANHOLES TO BE PLASTERED WITH 1-3 MIX MORTAR TO TOP OF LARGEST PIPE 1/2" THICK.

NOTE: GRANULAR BEDDING REQUIRED AROUND PIPE AT MANHOLES.

NOTE: PLACE STEPS ON UNSTRUCTURED WALL.



CONSTRUCTION DETAILS

18/27