

ROUND PIPE				HORIZONTAL ELLIPTICAL PIPE			
INSIDE DIAMETER OF PIPE (INCHES)	"W" PAYLINE WIDTH OF TRENCH (INCHES)	"W" PAYLINE WIDTH OF TRENCH (FEET)	PAY-VOLUMES OF TRENCH CONCRETE ENCASUREMENT (CU. YD. PER FT.)	INSIDE DIMENSIONS OF PIPE (INCHES)	"W" PAYLINE WIDTH OF TRENCH (INCHES)	"W" PAYLINE WIDTH OF TRENCH (FEET)	PAY-VOLUMES OF TRENCH CONCRETE ENCASUREMENT (CU. YD. PER FT.)
4	30	2.50	3.28				
6	30	2.50	3.58				
8	30	2.50	3.87				
10	30	2.50	4.09				
12	30	2.50	4.25				
15	36	3.00	5.55				
18	36	3.00	5.77	14 x 23	41	3.42	5.94
21	39	3.25	6.81				
24	42	3.50	7.39	19 x 30	49	4.08	7.88
27	45	3.75	8.18	22 x 34	53	4.42	8.61
30	49	4.08	9.30	24 x 38	58	4.83	9.70
33	53	4.42	10.53	27 x 42	62	5.17	10.71
36	56	4.67	11.43	29 x 45	66	5.50	11.72
39	D I S C O N T I N U E			32 x 49	71	5.92	12.14
42	63	5.25	13.38	34 x 53	75	6.25	14.05
48	70	5.83	15.87	38 x 60	83	6.92	16.18
54	77	6.42	18.15	43 x 68	93	7.67	18.81
60	84	7.00	20.73	48 x 76	101	8.42	21.59
66	91	7.58	23.45	53 x 83	109	9.08	24.25
72	98	8.17	26.37	58 x 91	118	9.83	27.45
78	105	8.75	29.39	63 x 98	126	10.50	30.50
84	112	9.33	32.57	68 x 106	135	11.25	33.91
90	119	9.92	35.90	72 x 113	143	11.92	36.99
96	126	10.50	39.37	77 x 121	152	12.67	40.69
102	133	11.08	42.99	82 x 128	160	13.33	44.45
108	140	11.67	46.75	87 x 136	168	14.00	47.79
114	147	12.25	50.66	92 x 143	176	14.67	51.70
120	154	12.83	54.72	97 x 151	185	15.42	56.01
126	161	13.42	58.92				
132	168	14.00	63.27	106 x 166	202	16.83	64.48
144	182	15.17	72.40	116 x 180	218	18.17	73.59

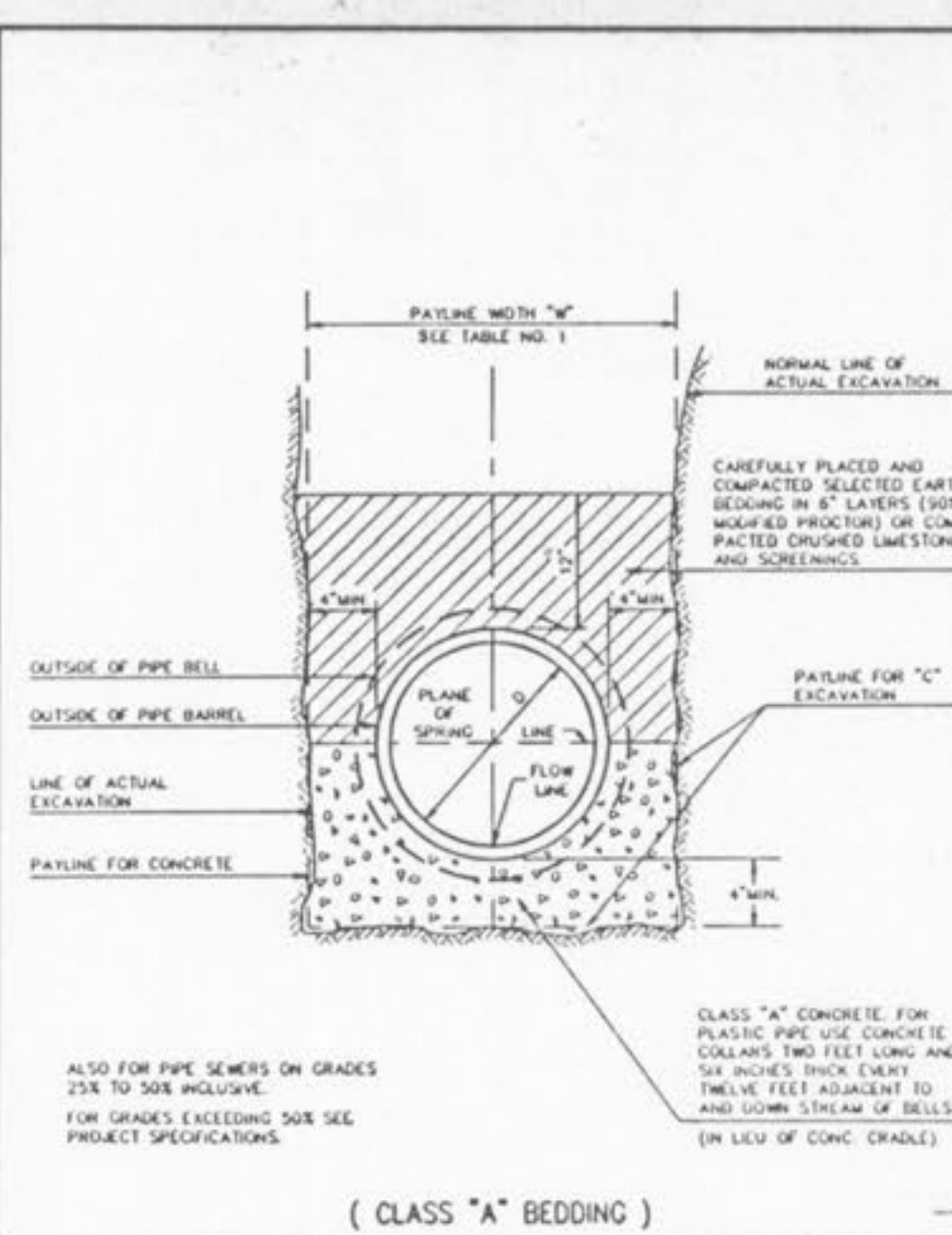
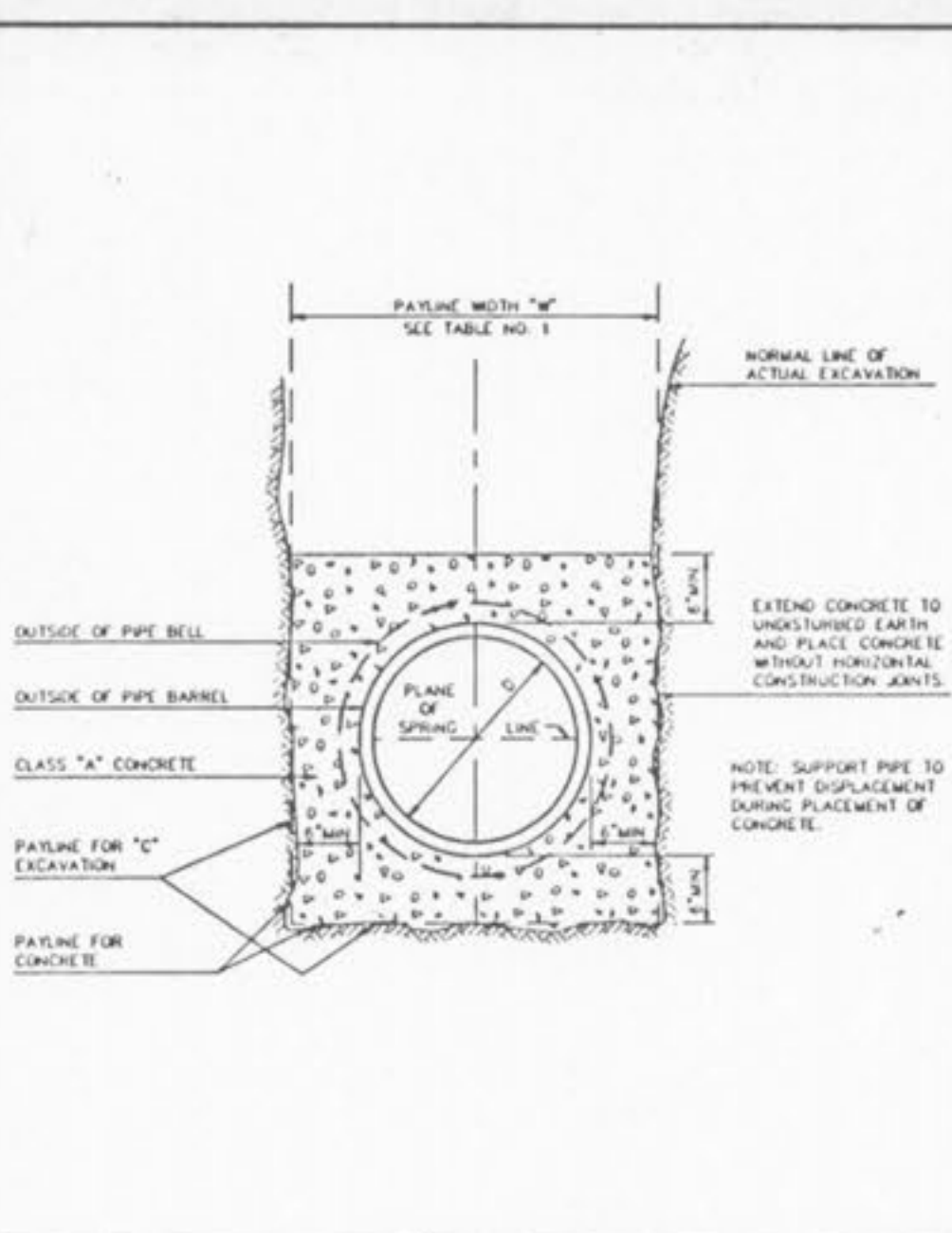
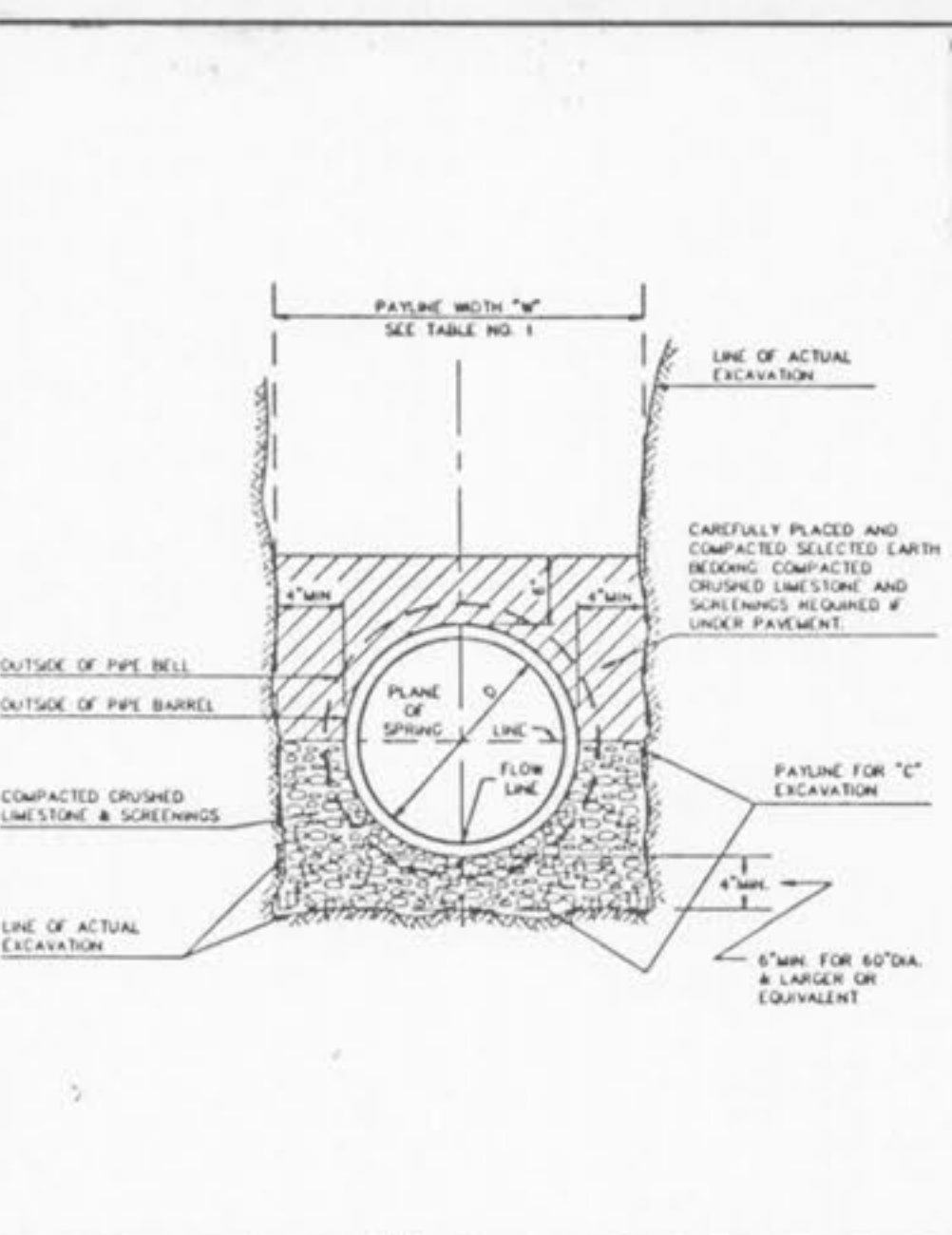
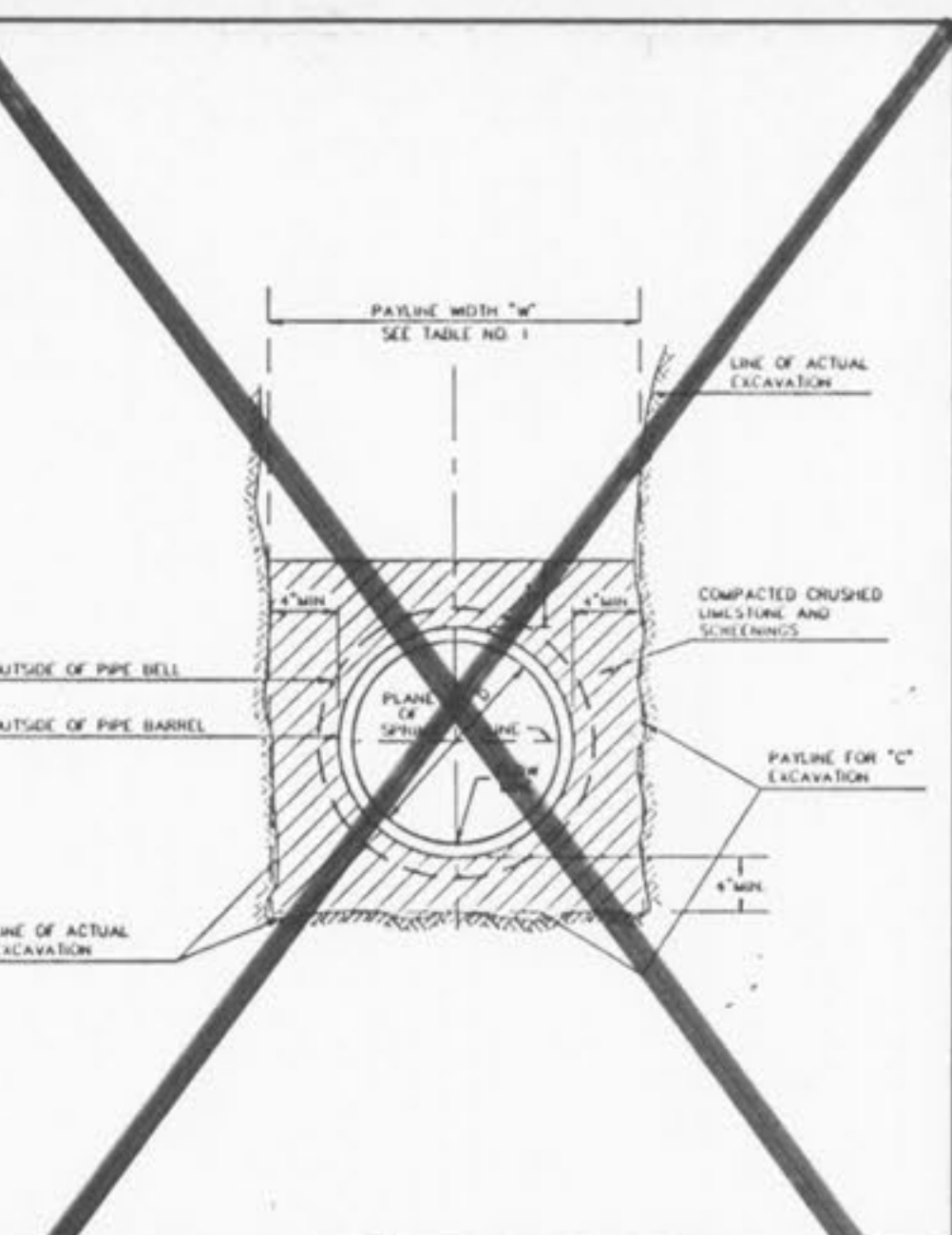
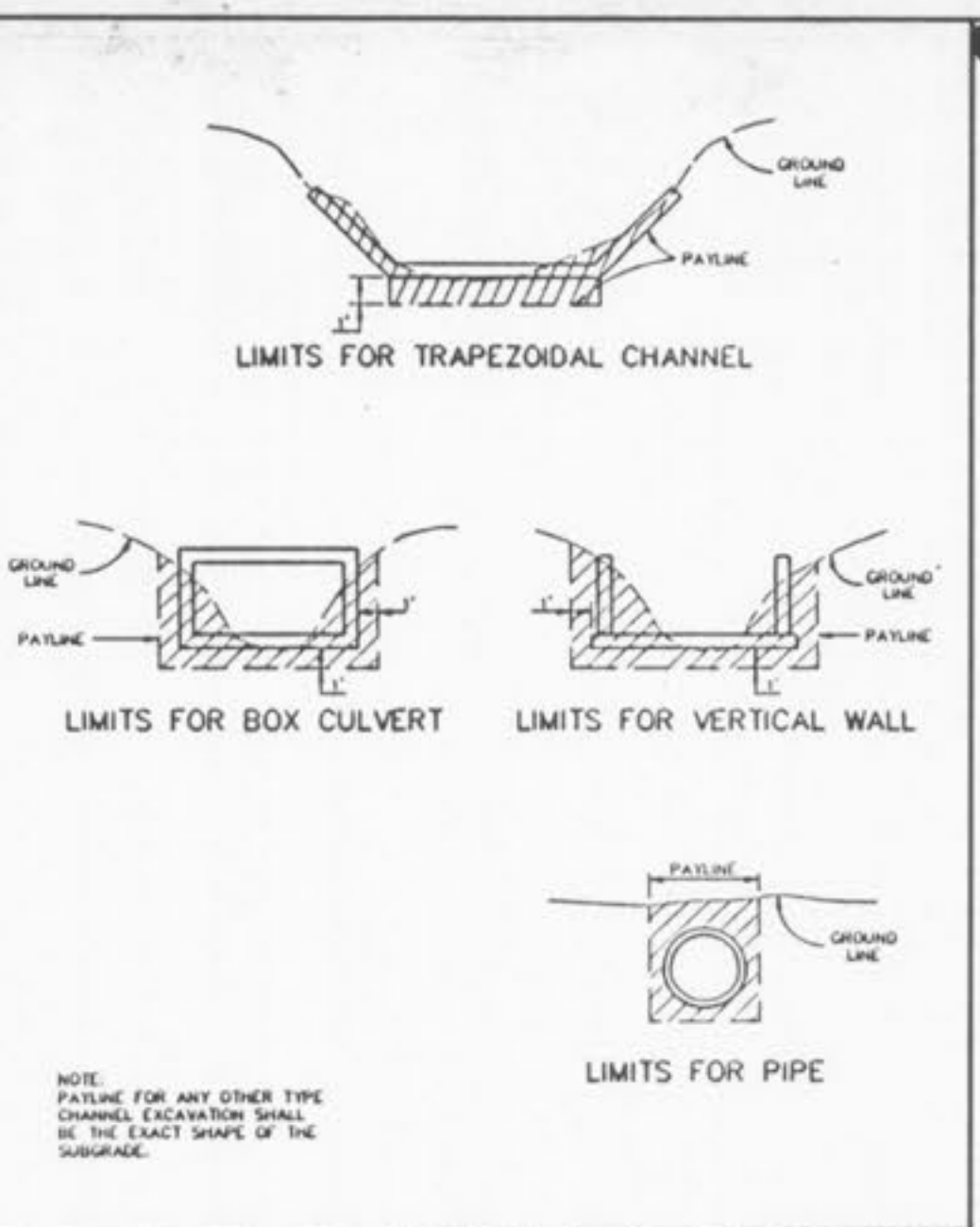


TABLE 1 PAYLINE WIDTHS OF TRENCH AND PAY-QUANTITIES OF CONCRETE METROPOLITAN ST. LOUIS SEWER DISTRICT Standard Details of Sewer Construction Dr. B.E.B. Ch. J.C.K. 1992 SHEET 1

PAYLINE WIDTHS FOR EXCAVATION METROPOLITAN ST. LOUIS SEWER DISTRICT Standard Details of Sewer Construction Dr. W.S.H. Ch. J.C.K. 1992 SHEET 2

PIPE BEDDING CLASS "C" (FOR ALL PIPE EXCEPT REINFORCED CONCRETE PIPE) METROPOLITAN ST. LOUIS SEWER DISTRICT Standard Details of Sewer Construction Dr. W.S.H. Ch. J.C.K. 1992 SHEET 3

PIPE BEDDING CLASS "C" (MODIFIED FOR REINFORCED CONCRETE PIPE) METROPOLITAN ST. LOUIS SEWER DISTRICT Standard Details of Sewer Construction Dr. W.S.H. Ch. J.C.K. 1992 SHEET 4

CONCRETE ENCASUREMENT METROPOLITAN ST. LOUIS SEWER DISTRICT Standard Details of Sewer Construction Dr. W.S.H. Ch. J.C.K. 1992 SHEET 5

CONCRETE CRADLE METROPOLITAN ST. LOUIS SEWER DISTRICT Standard Details of Sewer Construction Dr. W.S.H. Ch. J.C.K. 1992 SHEET 6

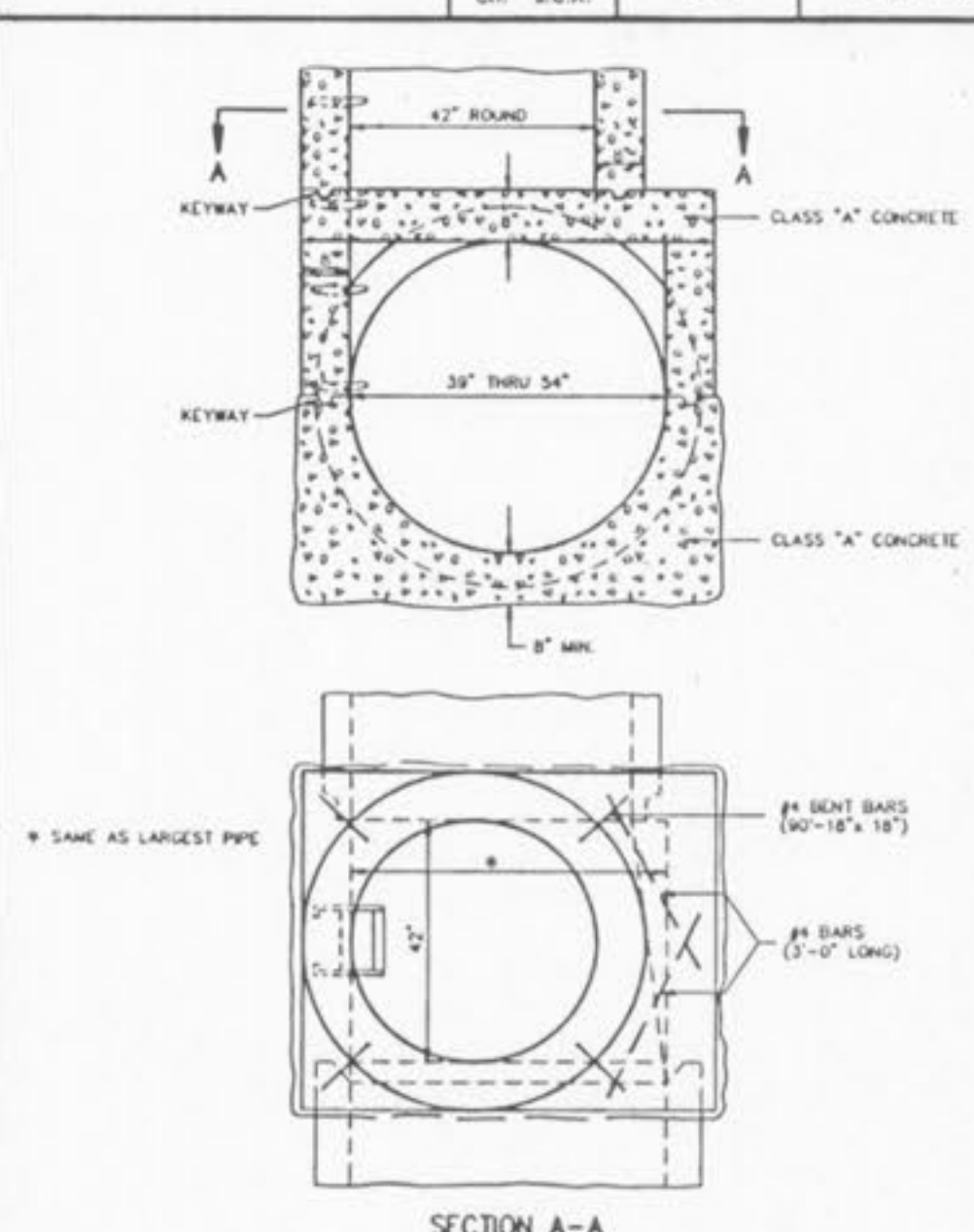
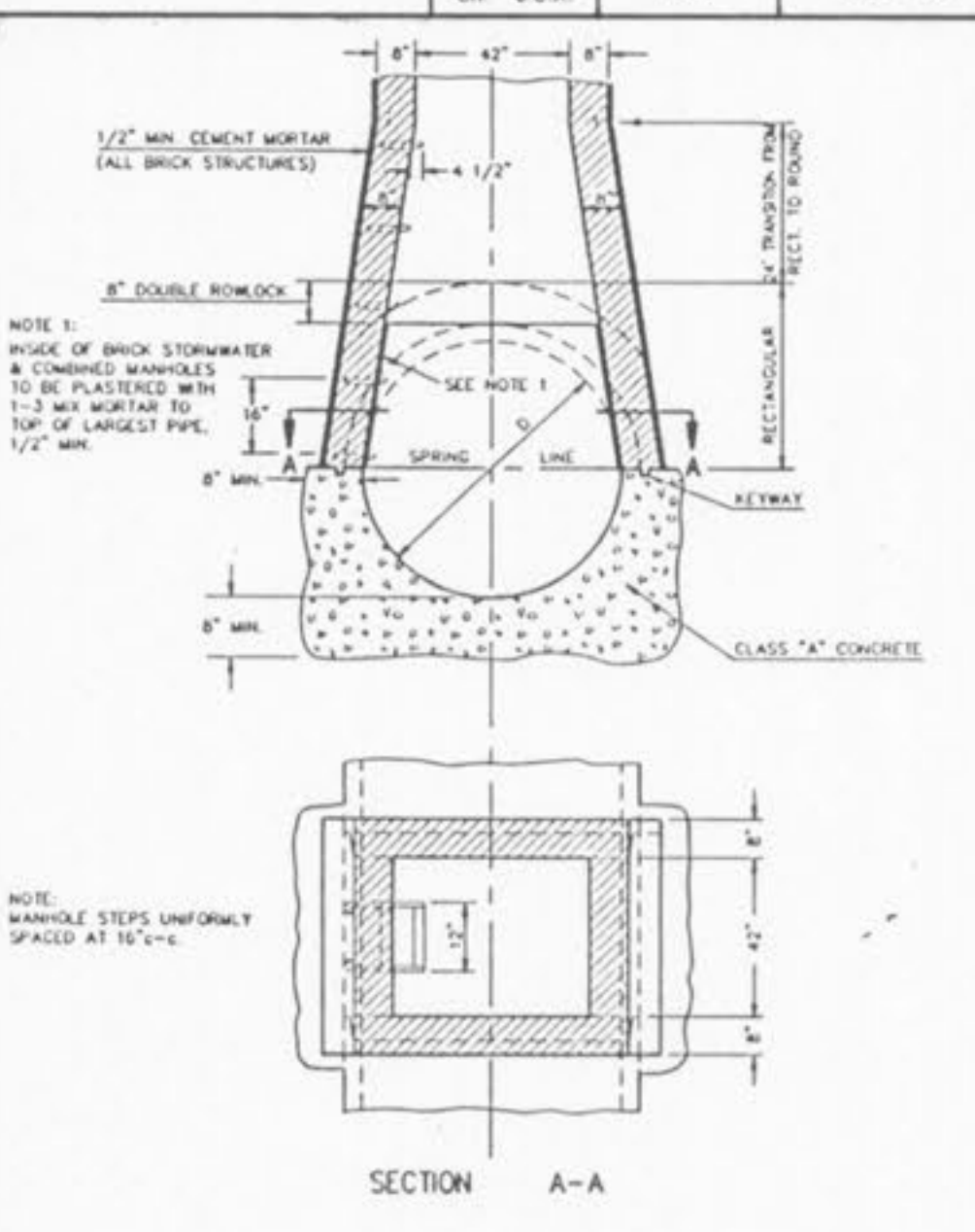
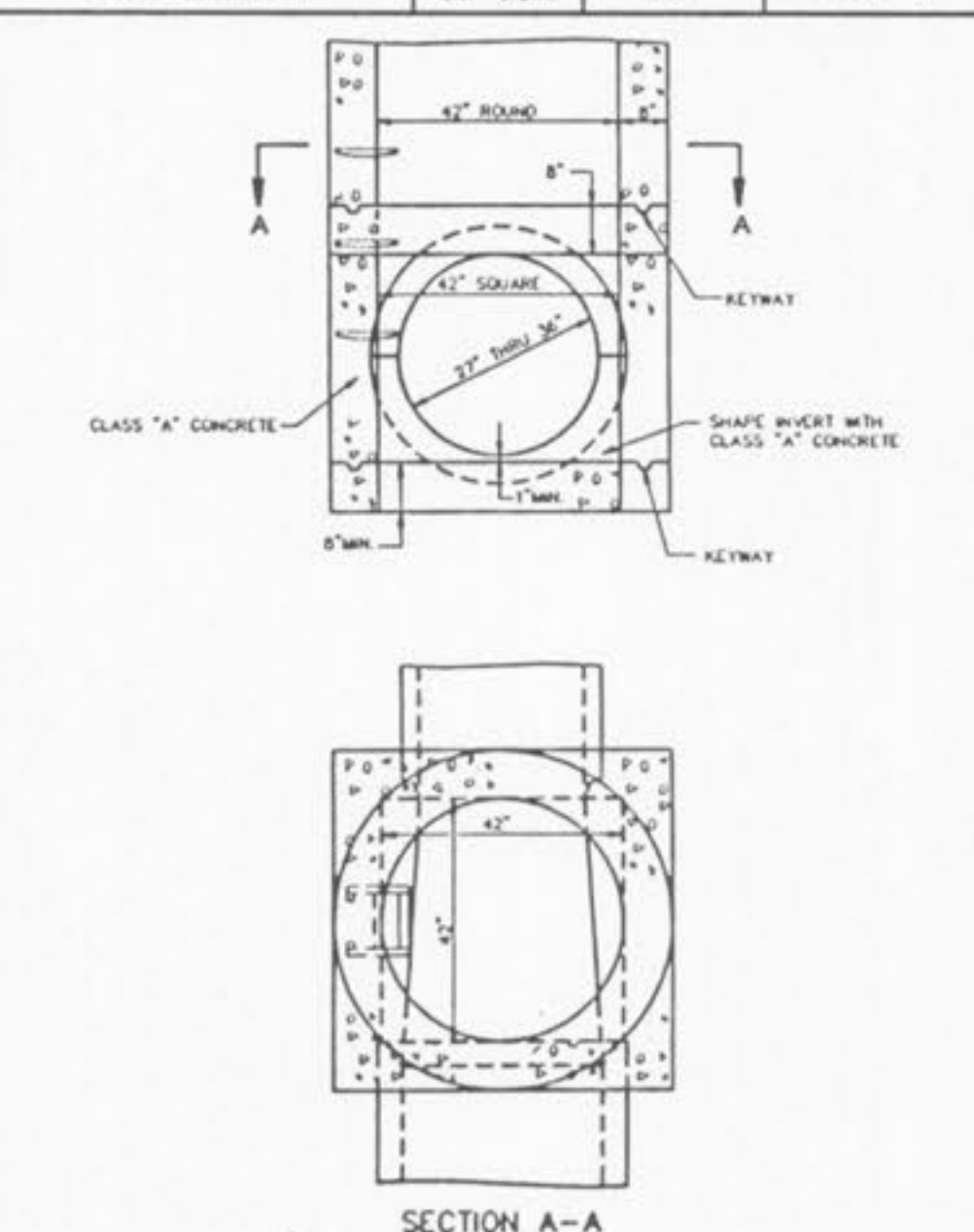
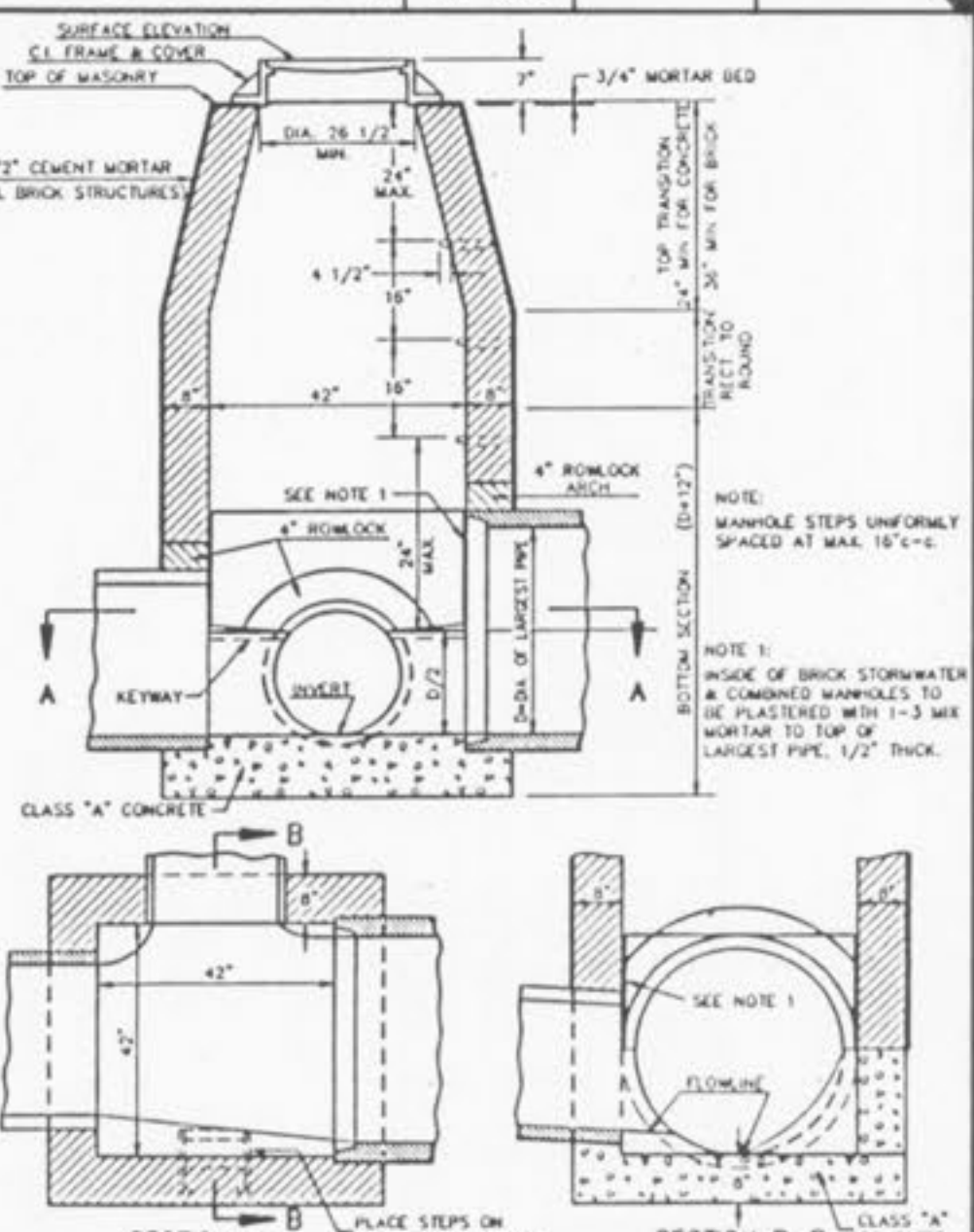
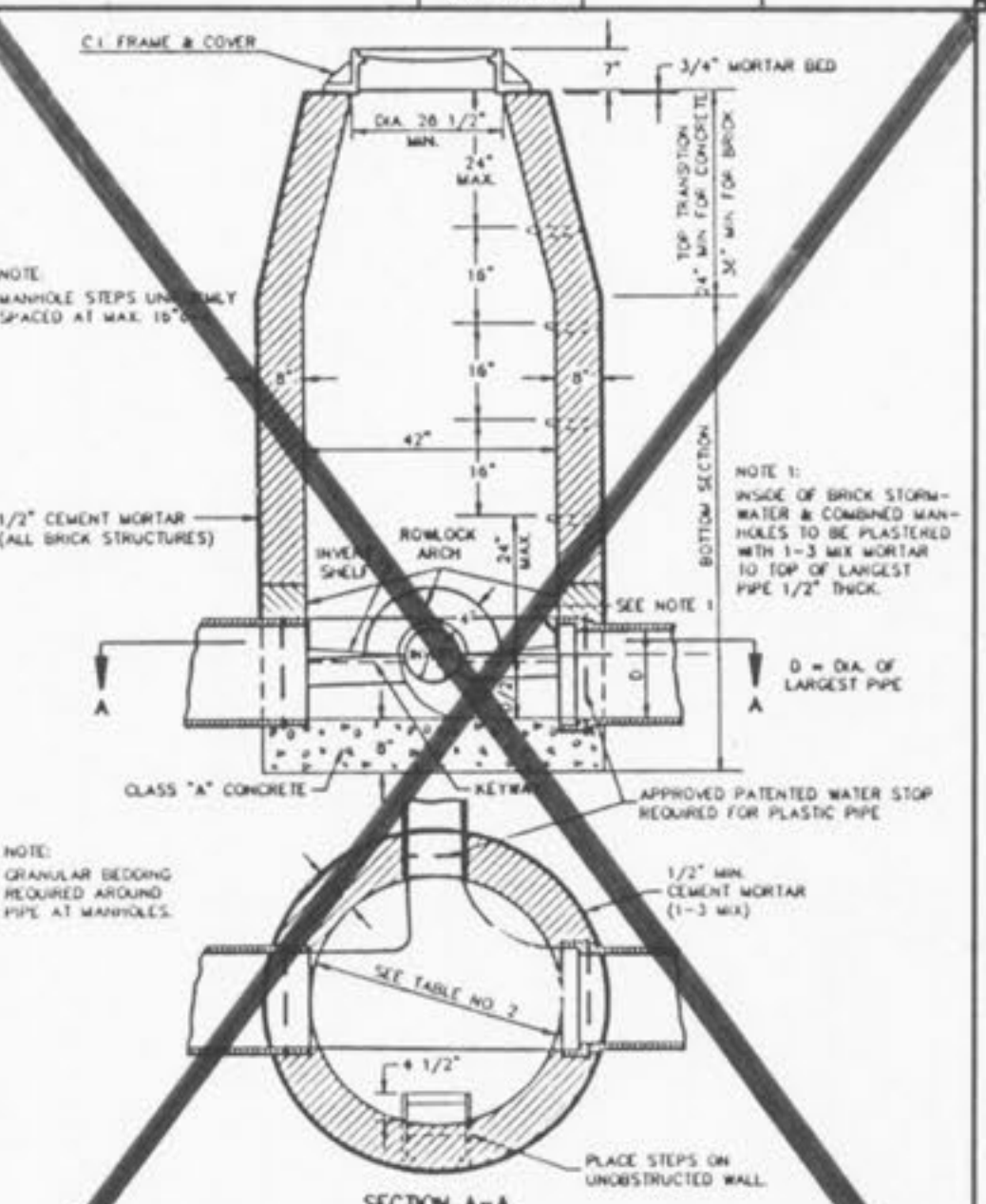
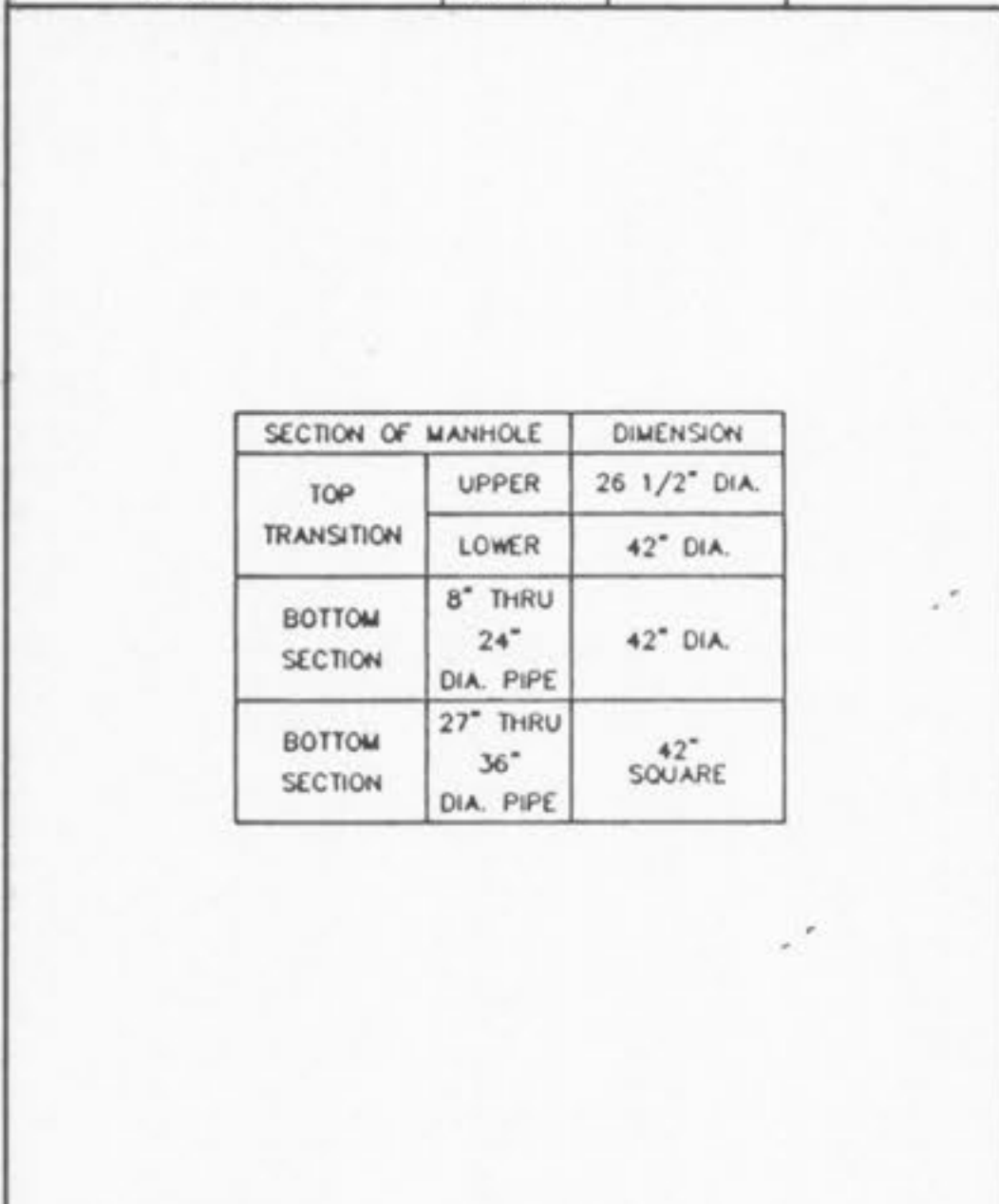


TABLE NO. 2 STANDARD MANHOLE DIMENSIONS METROPOLITAN ST. LOUIS SEWER DISTRICT Standard Details of Sewer Construction Dr. R.G.W. Ch. J.C.K. 1992 SHEET 7

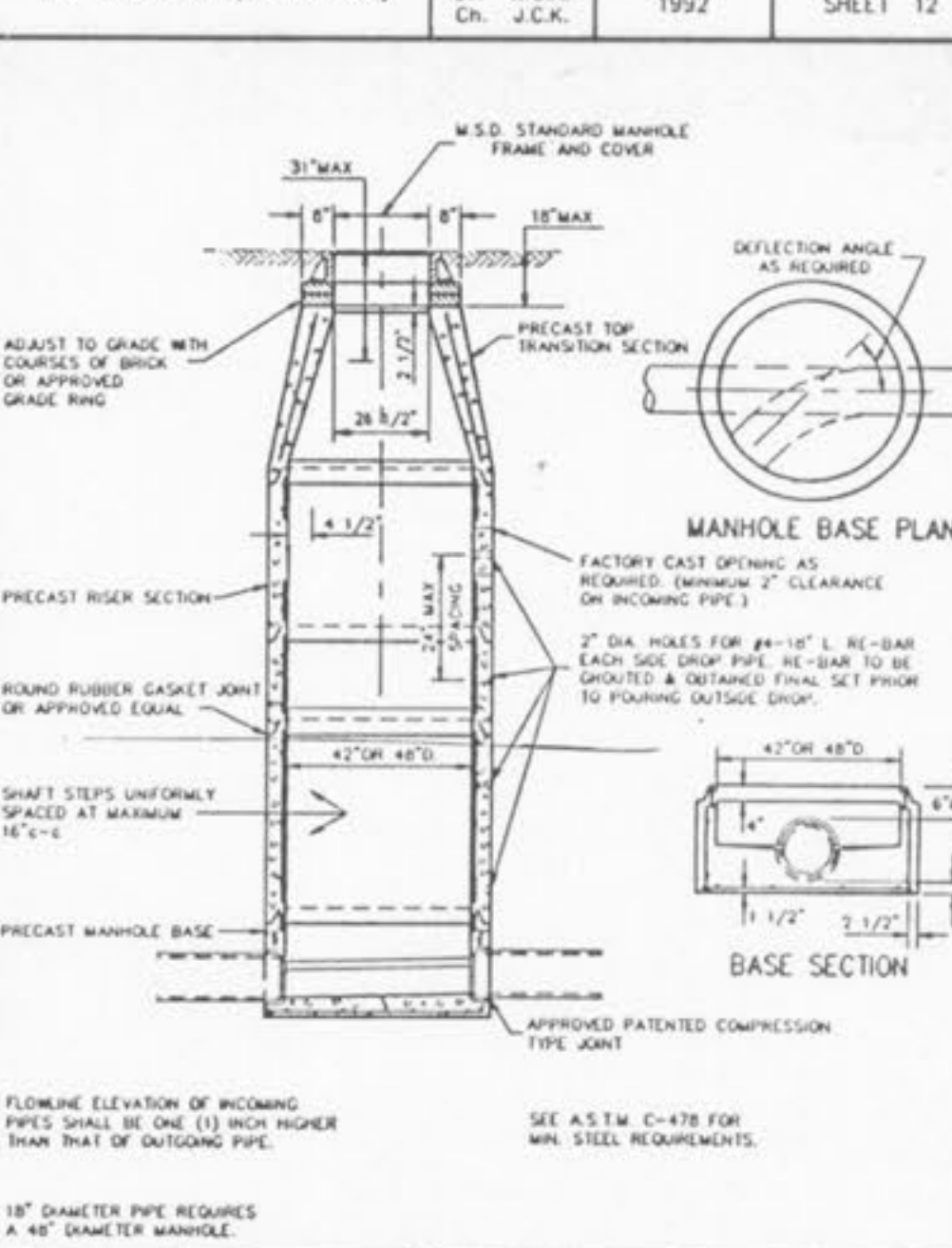
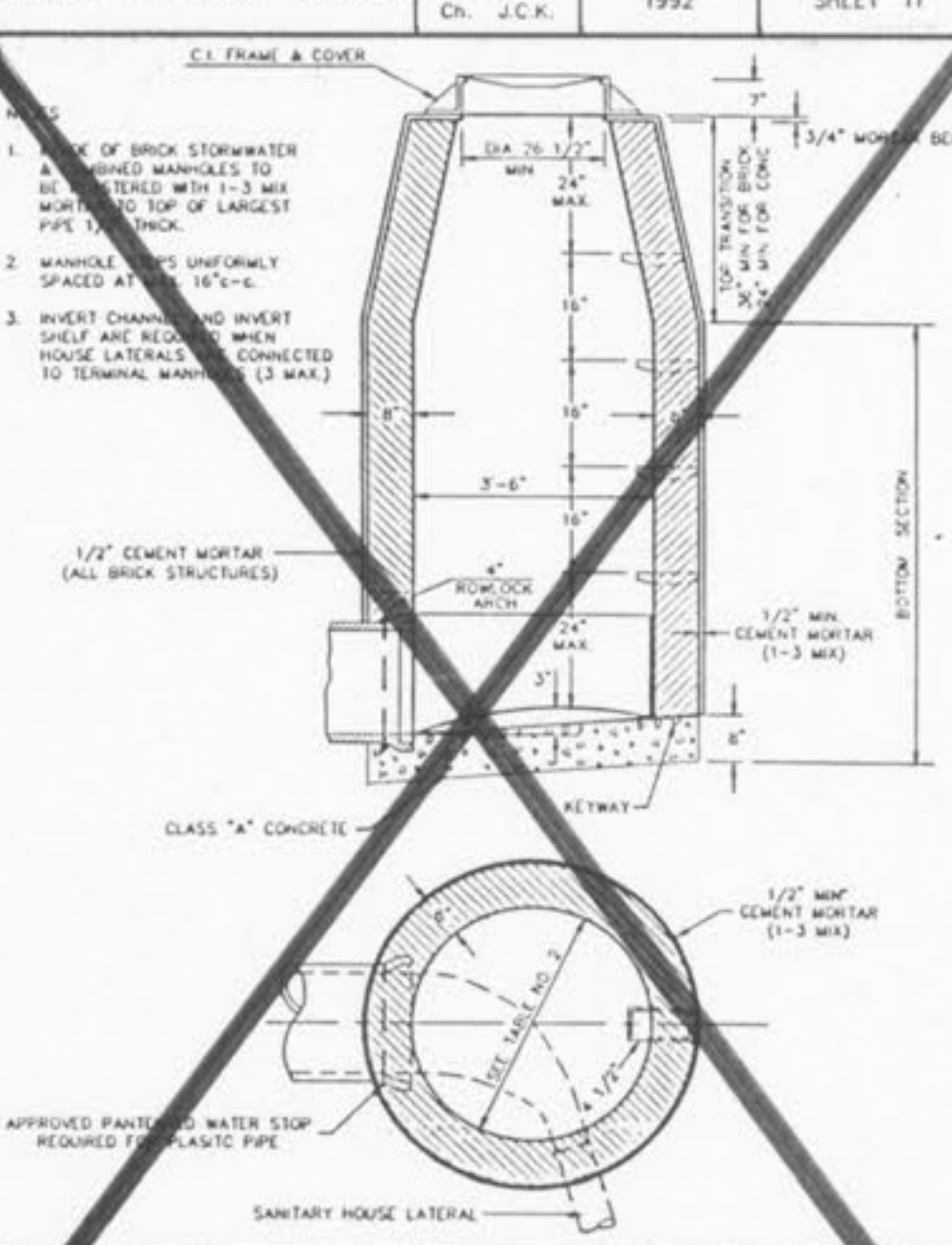
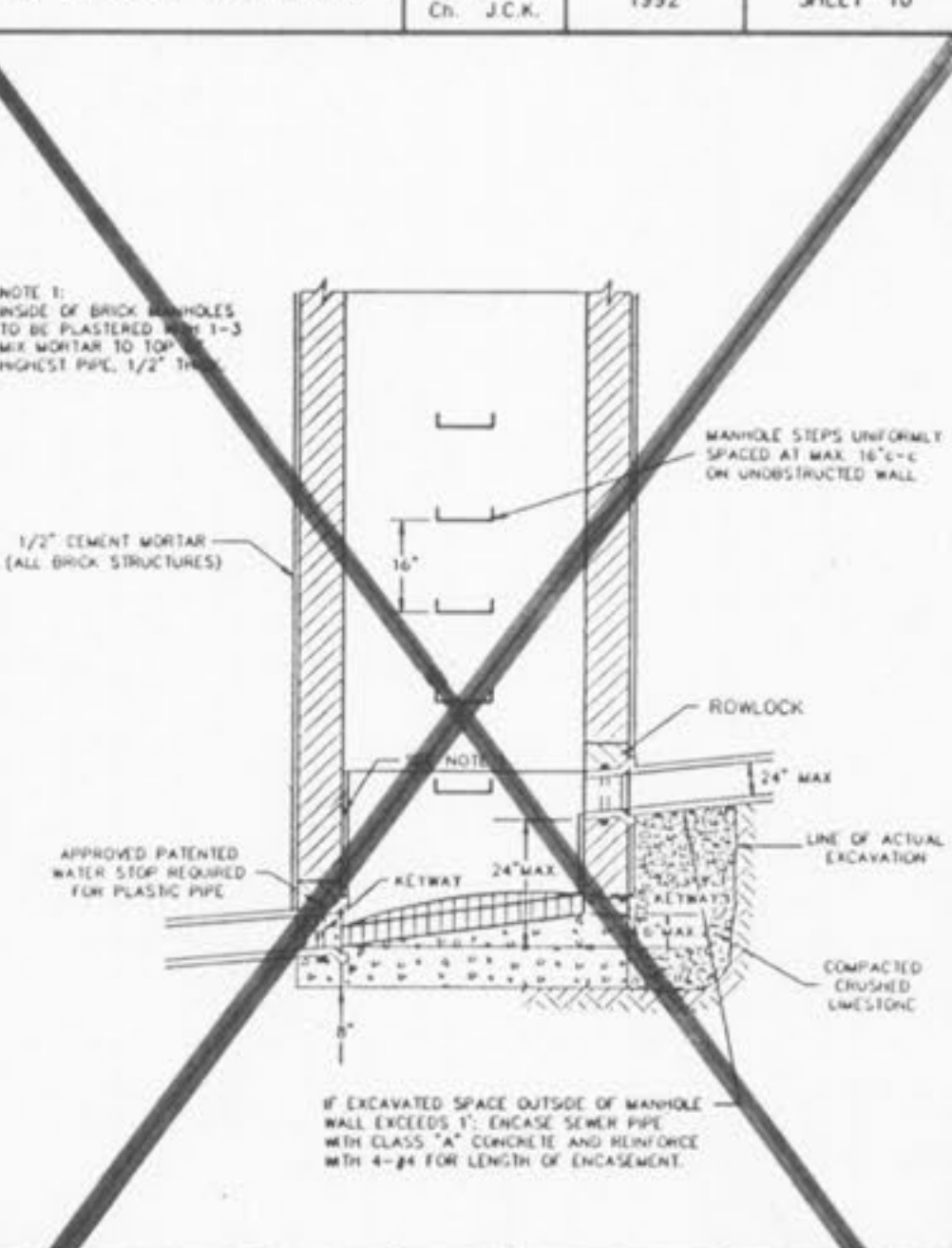
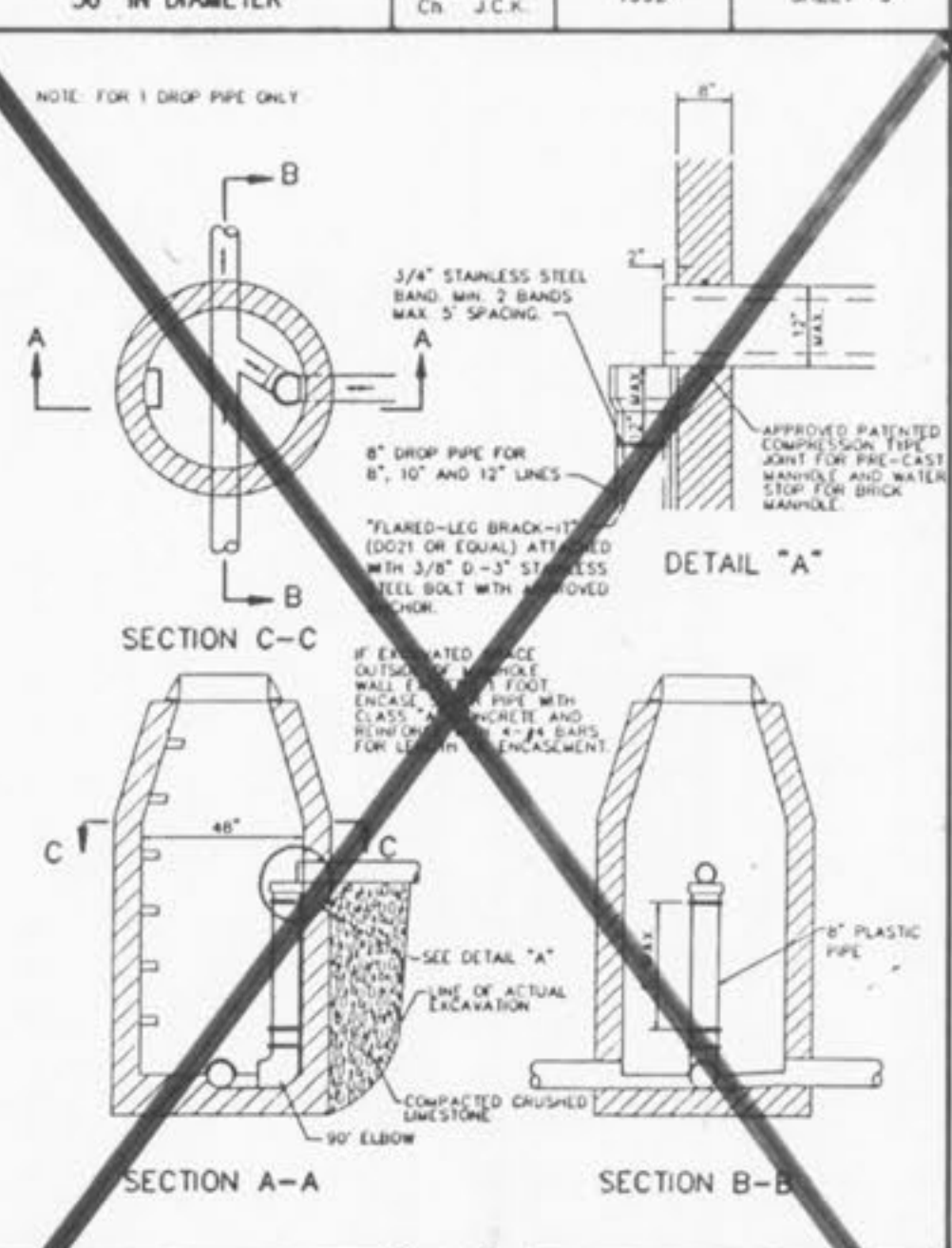
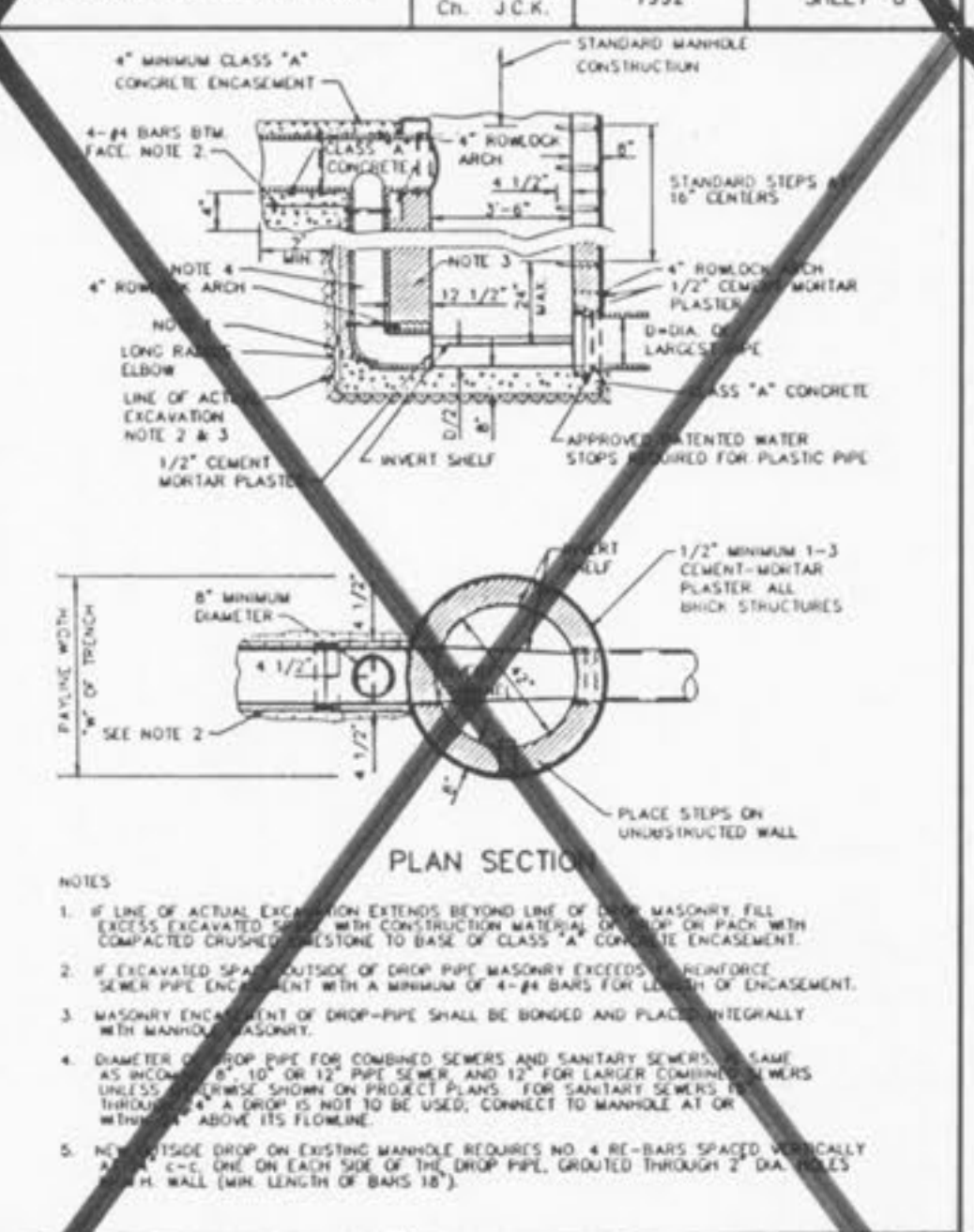
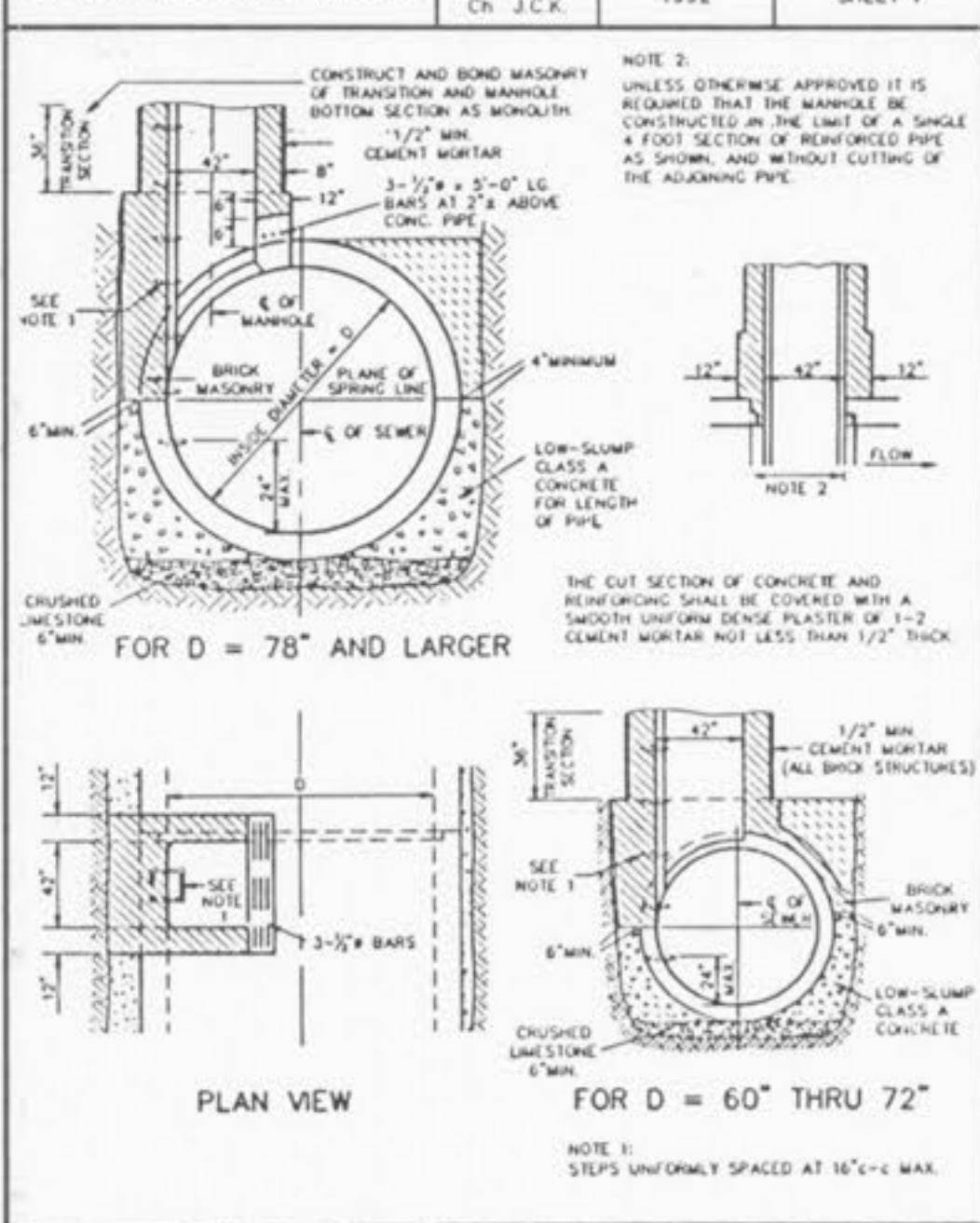
LINE MANHOLE ON PIPE SEWER 8"-24" DIA. METROPOLITAN ST. LOUIS SEWER DISTRICT Standard Details of Sewer Construction Dr. W.S.H. Ch. J.C.K. 1992 SHEET 8

TYPICAL LINE MANHOLE ON PIPE SEWER 27" THRU 36" IN DIAMETER METROPOLITAN ST. LOUIS SEWER DISTRICT Standard Details of Sewer Construction Dr. W.S.H. Ch. J.C.K. 1992 SHEET 9

MANHOLE ON PIPE SEWER 27" THRU 36" (ALTERNATE) METROPOLITAN ST. LOUIS SEWER DISTRICT Standard Details of Sewer Construction Dr. D.A.B. Ch. J.C.K. 1992 SHEET 10

MANHOLE ON CONCRETE PIPE SEWERS 39" THRU 54" DIAMETER METROPOLITAN ST. LOUIS SEWER DISTRICT Standard Details of Sewer Construction Dr. W.S.H. Ch. J.C.K. 1992 SHEET 11

MANHOLE ON CONC. PIPE 39" THRU 54" (ALTERNATE) METROPOLITAN ST. LOUIS SEWER DISTRICT Standard Details of Sewer Construction Dr. W.S.H. Ch. J.C.K. 1992 SHEET 12



TYPICAL MANHOLE BASE REINFORCED CONCRETE PIPE SEWERS 60" AND LARGER IN DIAMETER METROPOLITAN ST. LOUIS SEWER DISTRICT Standard Details of Sewer Construction Dr. W.S.H. Ch. J.C.K. 1992 SHEET 13

OUTSIDE FOULWATER DROP MANHOLE METROPOLITAN ST. LOUIS SEWER DISTRICT Standard Details of Sewer Construction Dr. R.G.W. Ch. J.C.K. 1992 SHEET 14

INSIDE FOULWATER DROP MANHOLE METROPOLITAN ST. LOUIS SEWER DISTRICT Standard Details of Sewer Construction Dr. R.G.W. Ch. J.C.K. 1992 SHEET 15

INSIDE FOULWATER DROP MANHOLE (FOR FREE-FALL) METROPOLITAN ST. LOUIS SEWER DISTRICT Standard Details of Sewer Construction Dr. W.S.H. Ch. J.C.K. 1992 SHEET 16

TERMINAL MANHOLE METROPOLITAN ST. LOUIS SEWER DISTRICT Standard Details of Sewer Construction Dr. W.S.H. Ch. J.C.K. 1992 SHEET 17

PRE-CAST CONCRETE MANHOLE FOR SEWERS 8" THROUGH 18" METROPOLITAN ST. LOUIS SEWER DISTRICT Standard Details of Sewer Construction Dr. W.S.H. Ch. J.C.K. 1992 SHEET 18

CONSTRUCTION DETAILS

CD1