

TYPICAL PRE-CAST MH. TEE FOR REINFORCED CONCRETE PIPE SEWERS 48" AND LARGER IN DIAMETER

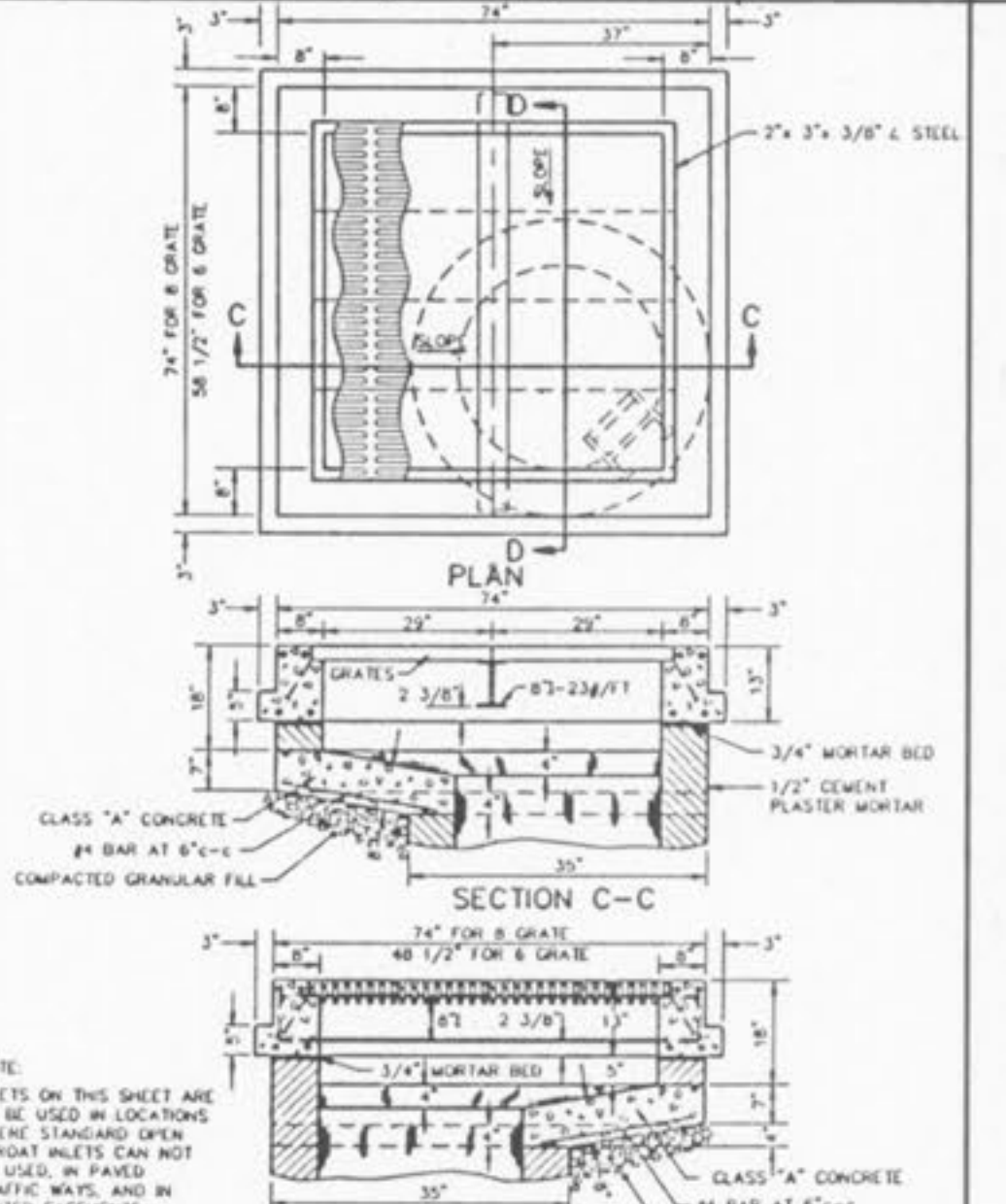
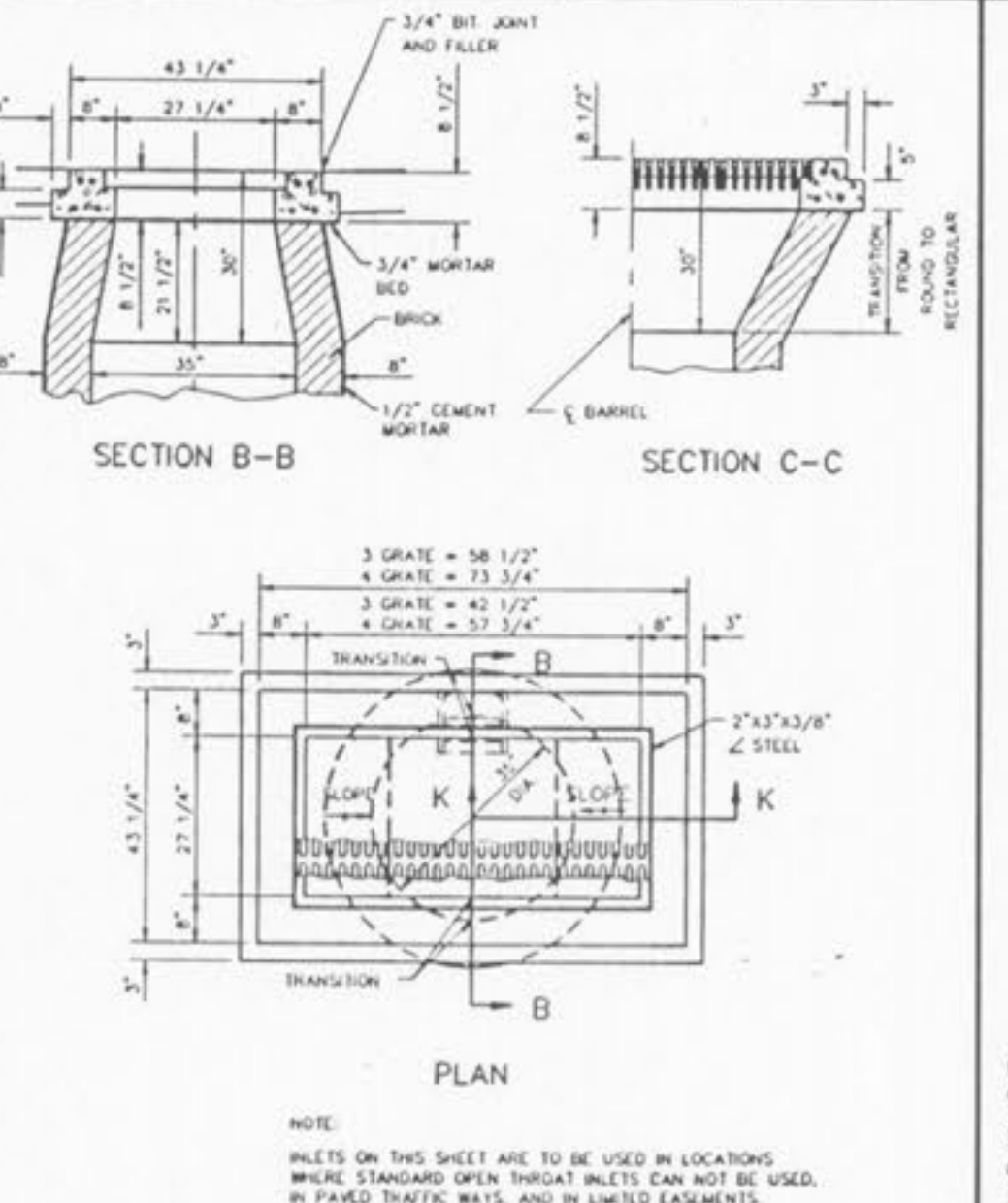
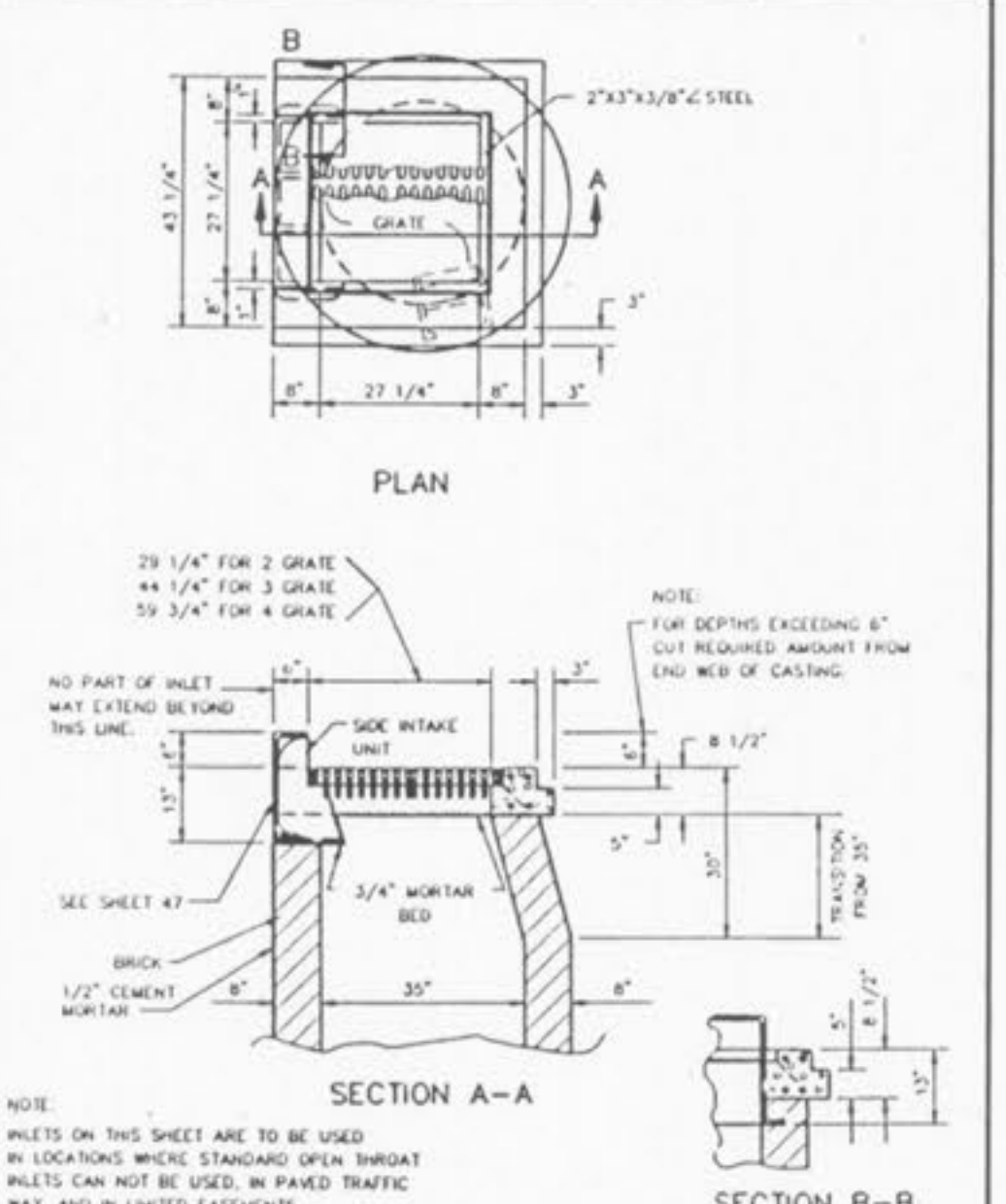
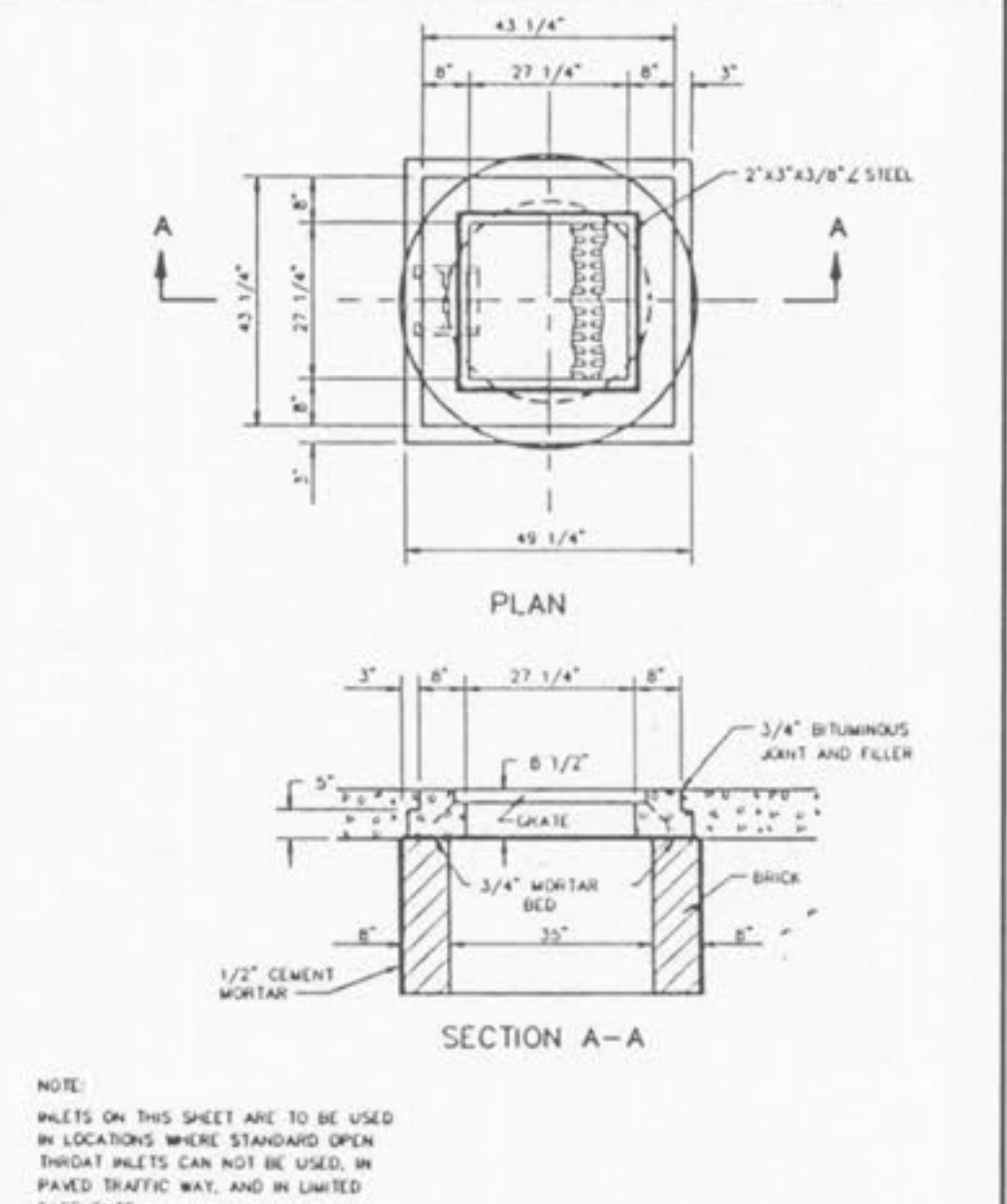
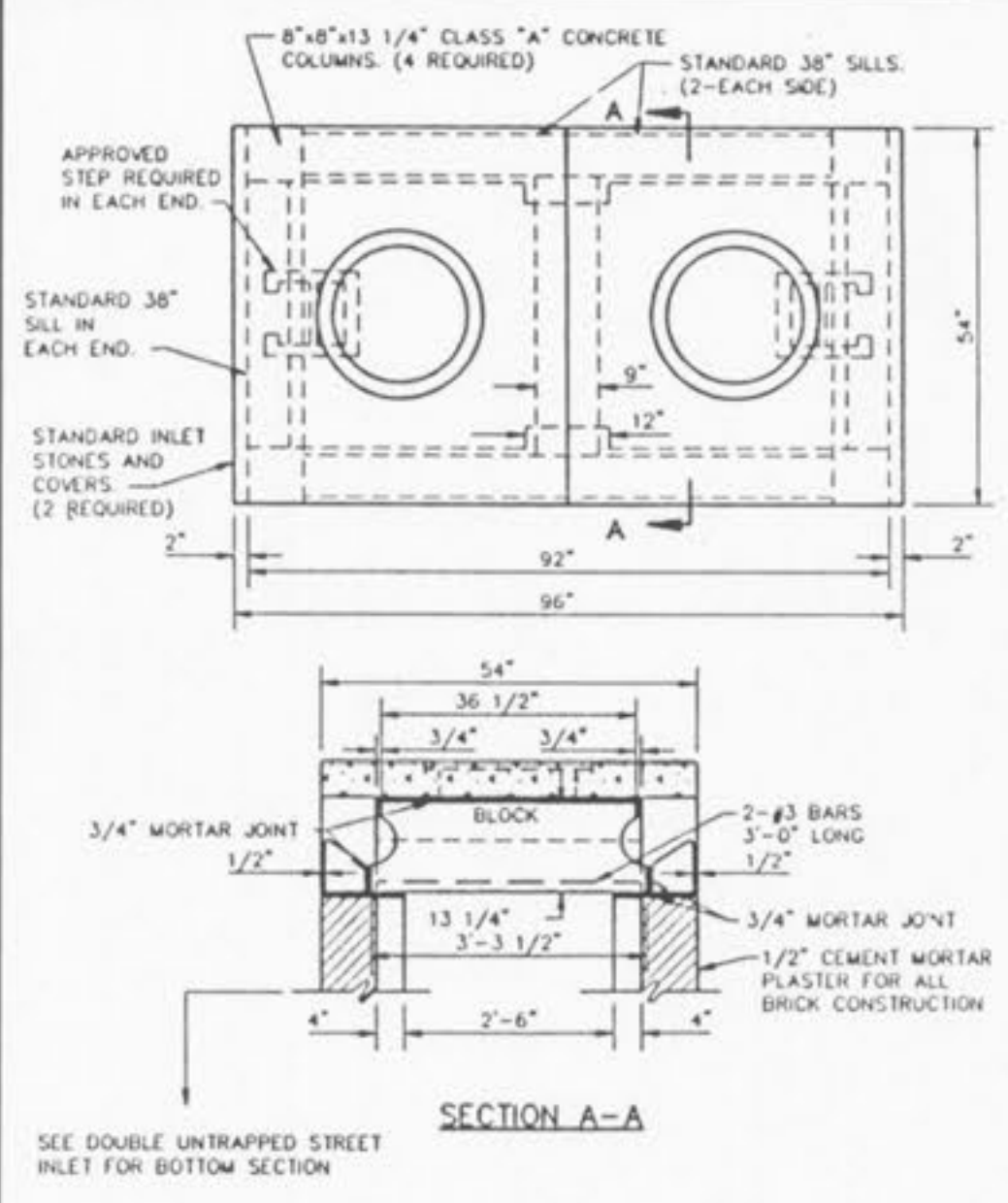
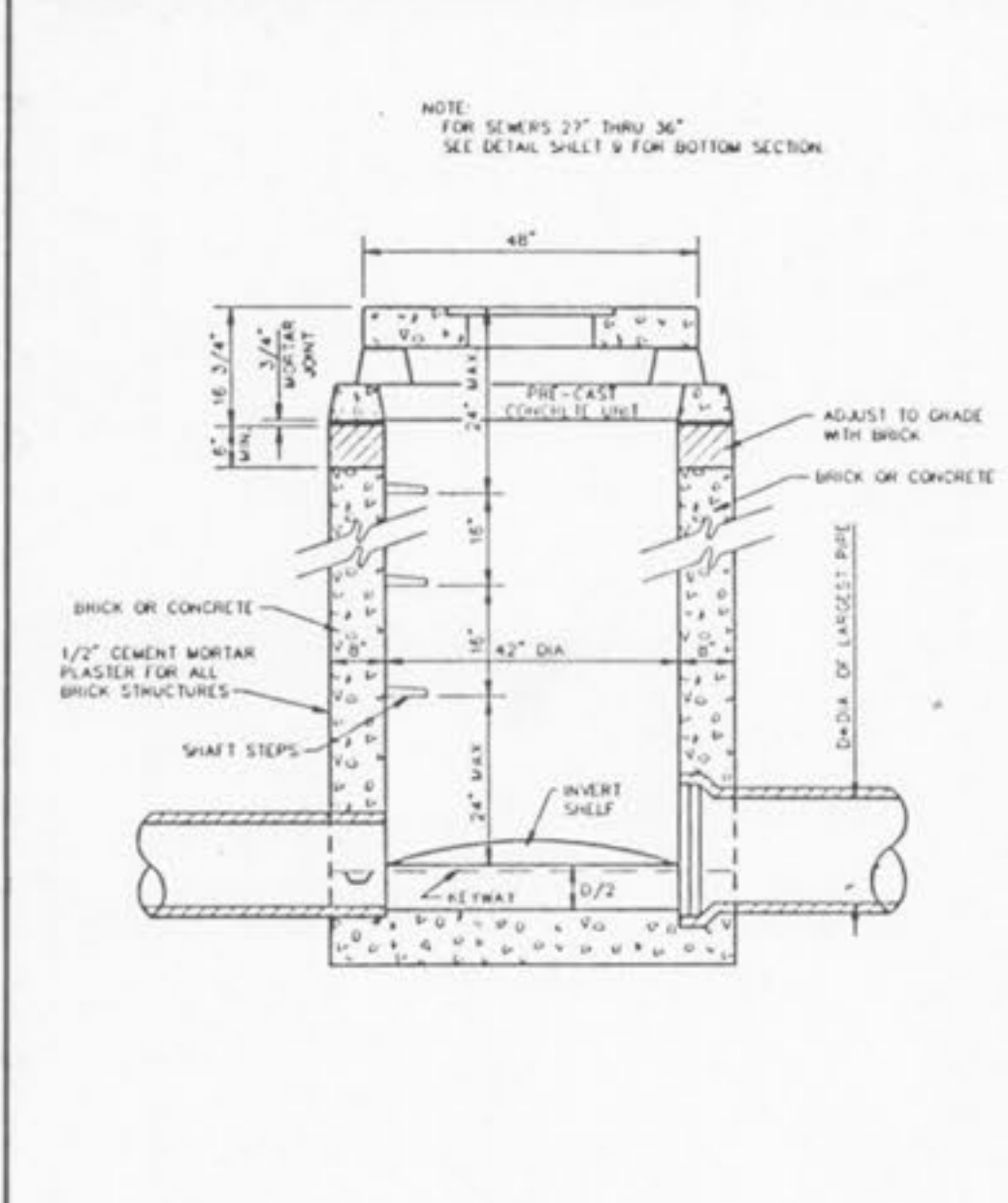
UNTRAPPED STREET INLET BRICK CONSTRUCTION

TRAPPED STREET INLET BRICK CONSTRUCTION

MULTIPLE STREET INLET BRICK CONSTRUCTION

DOUBLE UNTRAPPED STREET INLET BRICK CONSTRUCTION

AREA INLET OPEN 4 SIDES BRICK CONSTRUCTION



AREA INLET MANHOLE (12" THRU 24")

DOUBLE AREA INLET OPEN 4 SIDES BRICK CONSTRUCTION

2 GRATE INLET BRICK CONSTRUCTION

2 GRATE INLET WITH SIDE INTAKE BRICK CONSTRUCTION

3 & 4 GRATE INLET BRICK CONSTRUCTION

6 & 8 GRATE INLET BRICK CONSTRUCTION

