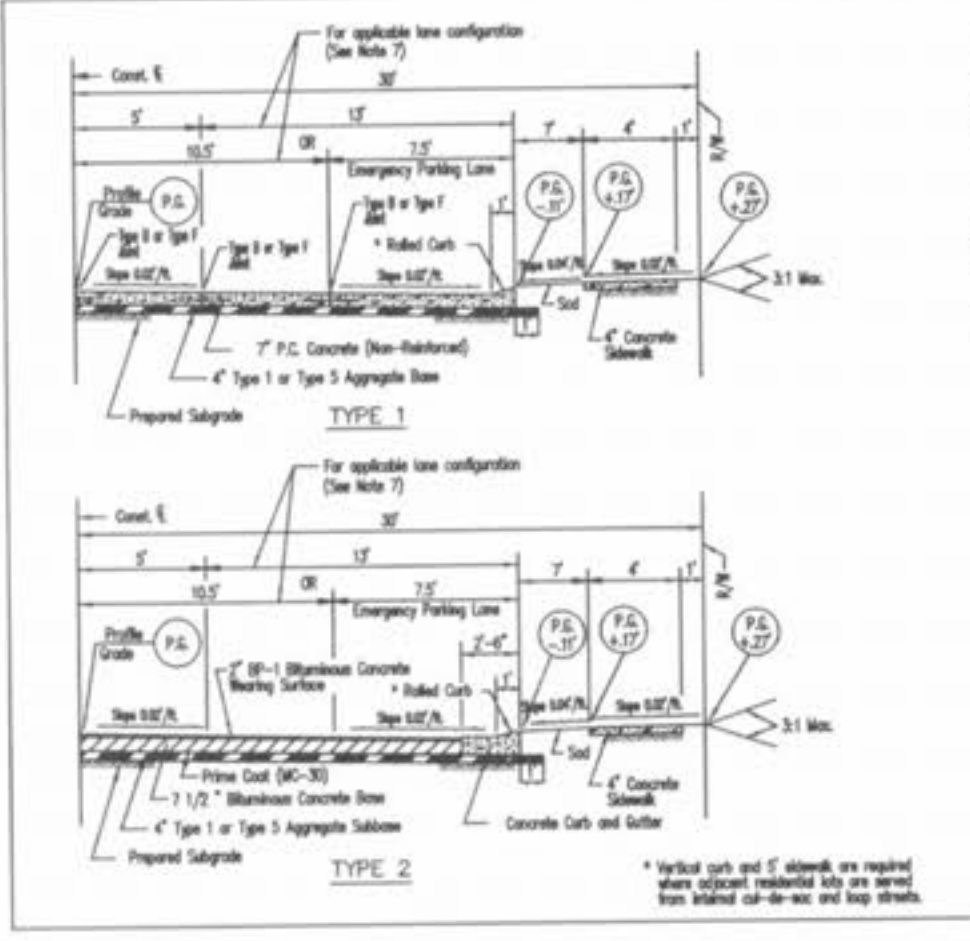


GENERAL NOTES

1. Do not scale drawings. Follow dimensions.
2. Sections shown are representative about construction details.
3. For longitudinal and transverse joints, used and for repair materials and construction details, see the Standard Specifications for Construction, Missouri, 2002 Edition, Chapter 202, Section 202.01.
4. All necessary pavement markings shall be as required by Saint Charles County.
5. Sections shown may not apply to intersections.
6. Standard Specifications for Construction, Missouri, 2002 Edition, Chapter 202, Section 202.01.
7. Equipment when required shall be established on the Standard Specifications for Construction, Missouri, 2002 Edition, Chapter 202, Section 202.01.

SAINT CHARLES COUNTY
 HIGHWAY DEPARTMENT
 ST. CHARLES, MISSOURI
 STANDARD TYPICAL SECTION
RESIDENTIAL
 50' R/W 26' PAVT.

DATE: May, 2002 DRAWING: C203.82A

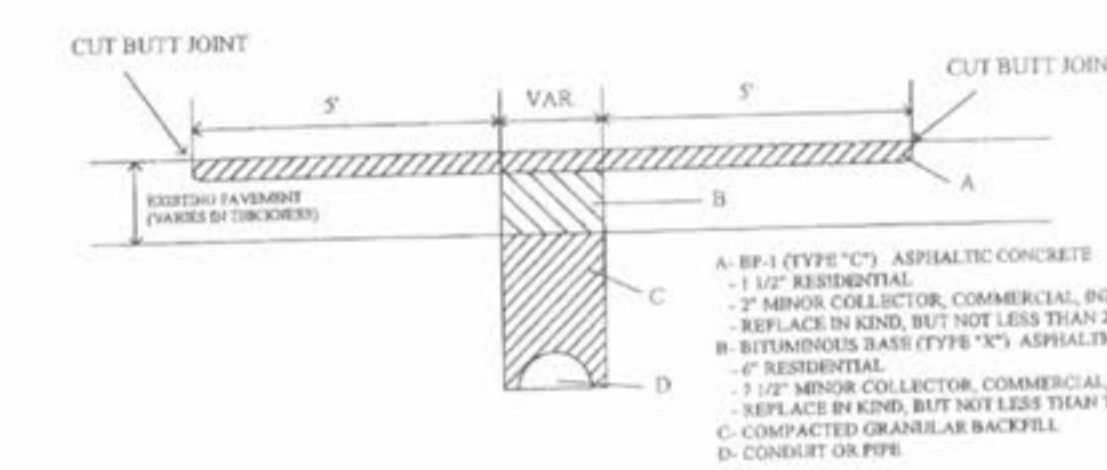


GENERAL NOTES

1. Do not scale drawings. Follow dimensions.
2. Sections are representative about construction details.
3. For longitudinal and transverse joints, used and for repair materials and construction details, see the Standard Specifications for Construction, Missouri, 2002 Edition, Chapter 202, Section 202.01.
4. All necessary pavement markings shall be as required by Saint Charles County.
5. Sections shown may not apply to intersections.
6. Standard Specifications for Construction, Missouri, 2002 Edition, Chapter 202, Section 202.01.
7. Equipment when required shall be established on the Standard Specifications for Construction, Missouri, 2002 Edition, Chapter 202, Section 202.01.

TYPICAL SECTION
RESIDENTIAL
 60' R/W 36' PAVT.

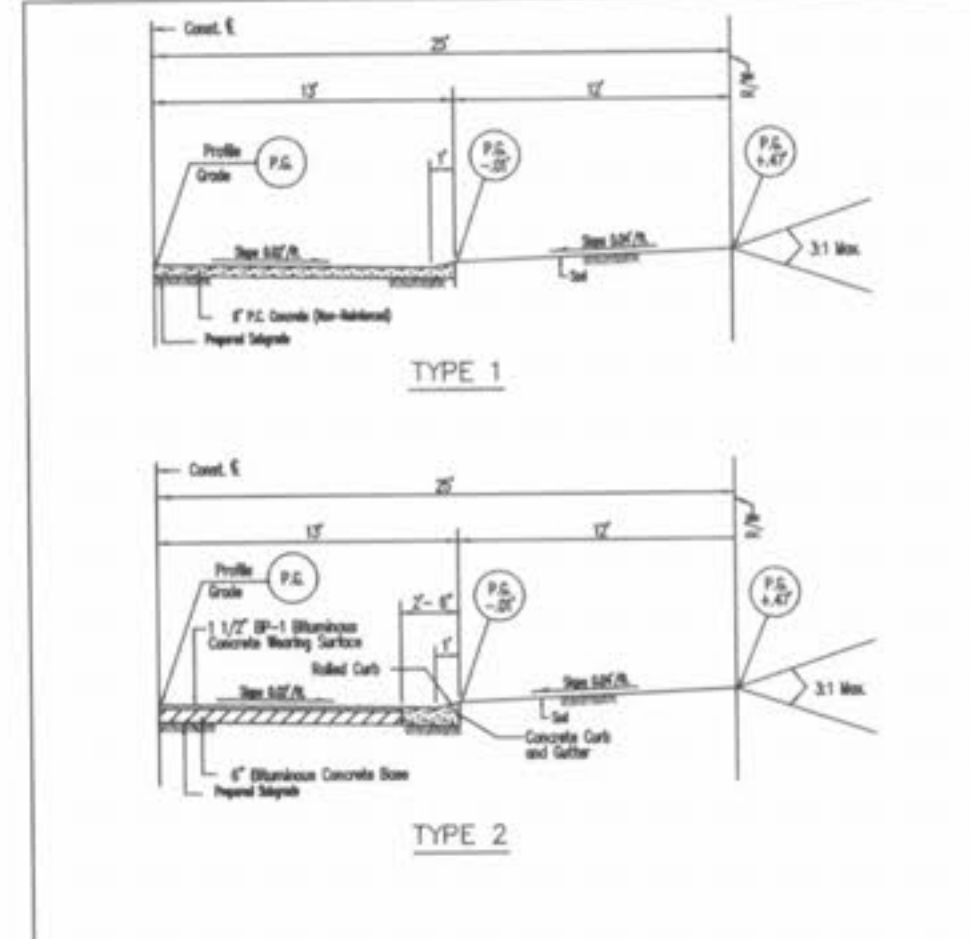
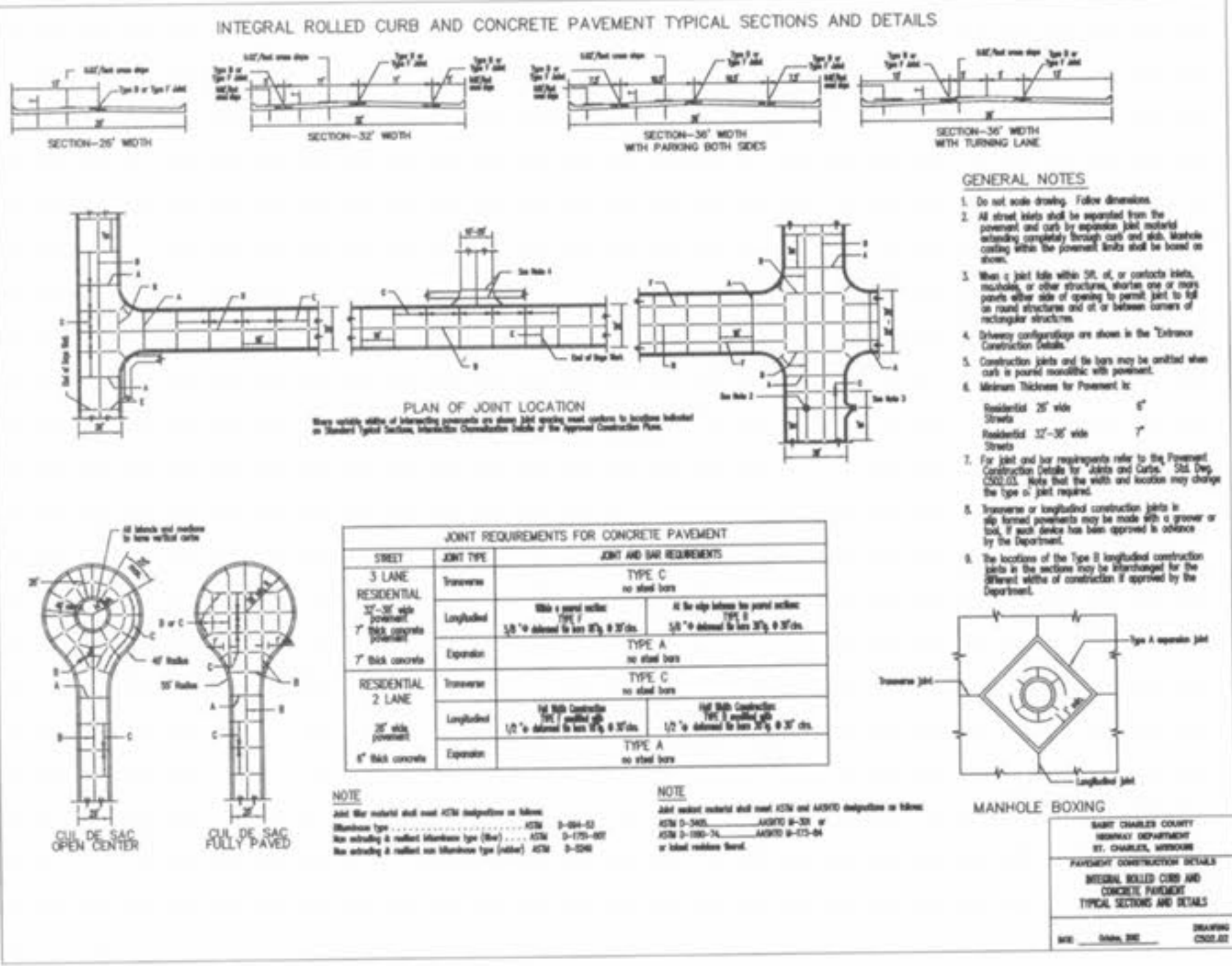
DATE: September, 2002 DRAWING: C203.84A



GENERAL NOTES

1. TRENCHED AREA MUST BE SAW CUT TO REMOVE EXISTING PAVEMENT!
2. ASPHALTIC CONCRETE MUST BE INSTALLED WITH PAPER
3. BITUMINOUS BASE ASPHALTIC CONCRETE MUST BE INSTALLED IN TWO (2) COMPACTED LIFTS
4. ONE (1) LANE OF TRAFFIC MUST REMAIN OPEN AT ALL TIMES
5. NOTIFY THE CHIEF INSPECTOR ON THE CONSTRUCTION SUPERINTENDENT AT THE ST. CHARLES COUNTY HIGHWAY DEPARTMENT A MINIMUM OF TWENTY-FOUR (24) HOURS BEFORE WORK IS TO BEGIN
6. THE CONTRACTOR WILL BE RESPONSIBLE FOR MAINTENANCE OF TRENCHED AREA AND SUBSEQUENT ASPHALTIC WORK UNTIL WORK IS ACCEPTED
7. THE CONTRACTOR WILL INSTALL AND MAINTAIN ALL NECESSARY CONSTRUCTION SIGNS AS DETERMINED BY THE FIELD INSPECTOR

ST. CHARLES COUNTY HIGHWAY DEPARTMENT
 MARCH 2000 1 OF 1

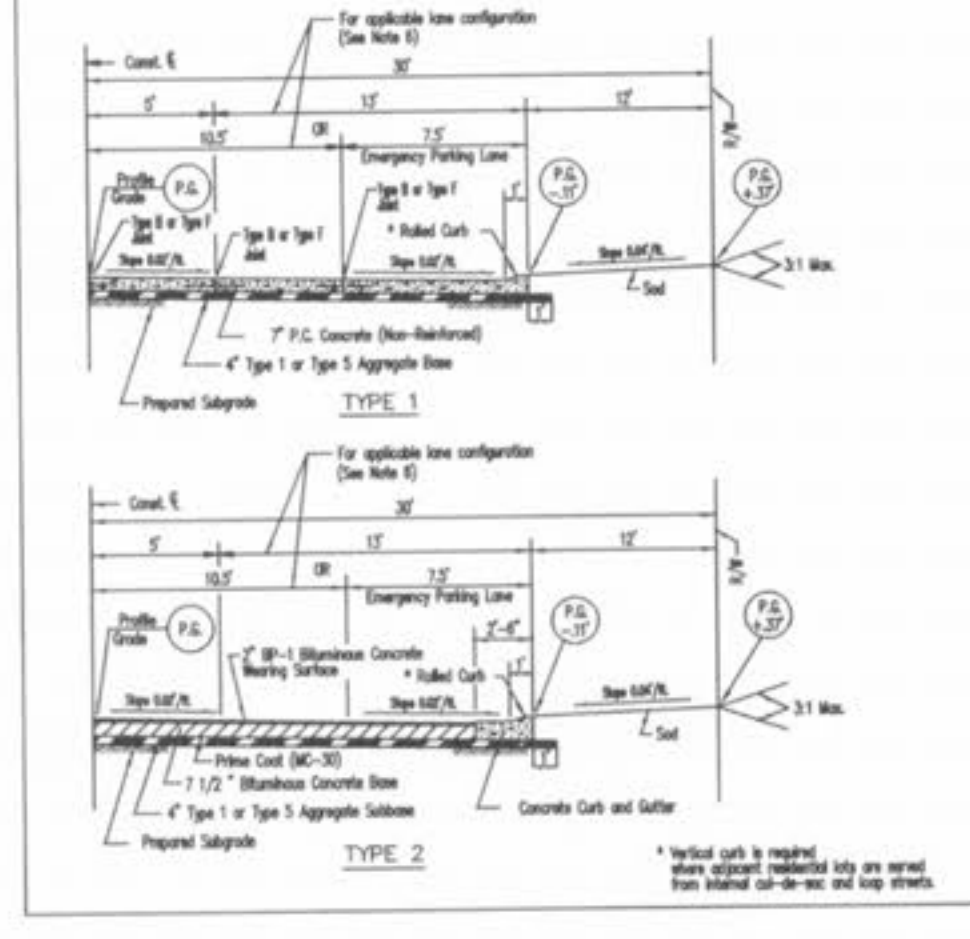


GENERAL NOTES

1. Do not scale drawings. Follow dimensions.
2. Sections shown are representative about construction details.
3. For longitudinal and transverse joints, used and for repair materials and construction details, see the Standard Specifications for Construction, Missouri, 2002 Edition, Chapter 202, Section 202.01.
4. All necessary pavement markings shall be as required by Saint Charles County.
5. Sections shown may not apply to intersections.
6. Standard Specifications for Construction, Missouri, 2002 Edition, Chapter 202, Section 202.01.
7. Equipment when required shall be established on the Standard Specifications for Construction, Missouri, 2002 Edition, Chapter 202, Section 202.01.

SAINT CHARLES COUNTY
 HIGHWAY DEPARTMENT
 ST. CHARLES, MISSOURI
 STANDARD TYPICAL SECTION
RESIDENTIAL
 50' R/W 26' PAVT.

DATE: May, 2002 DRAWING: C203.82B

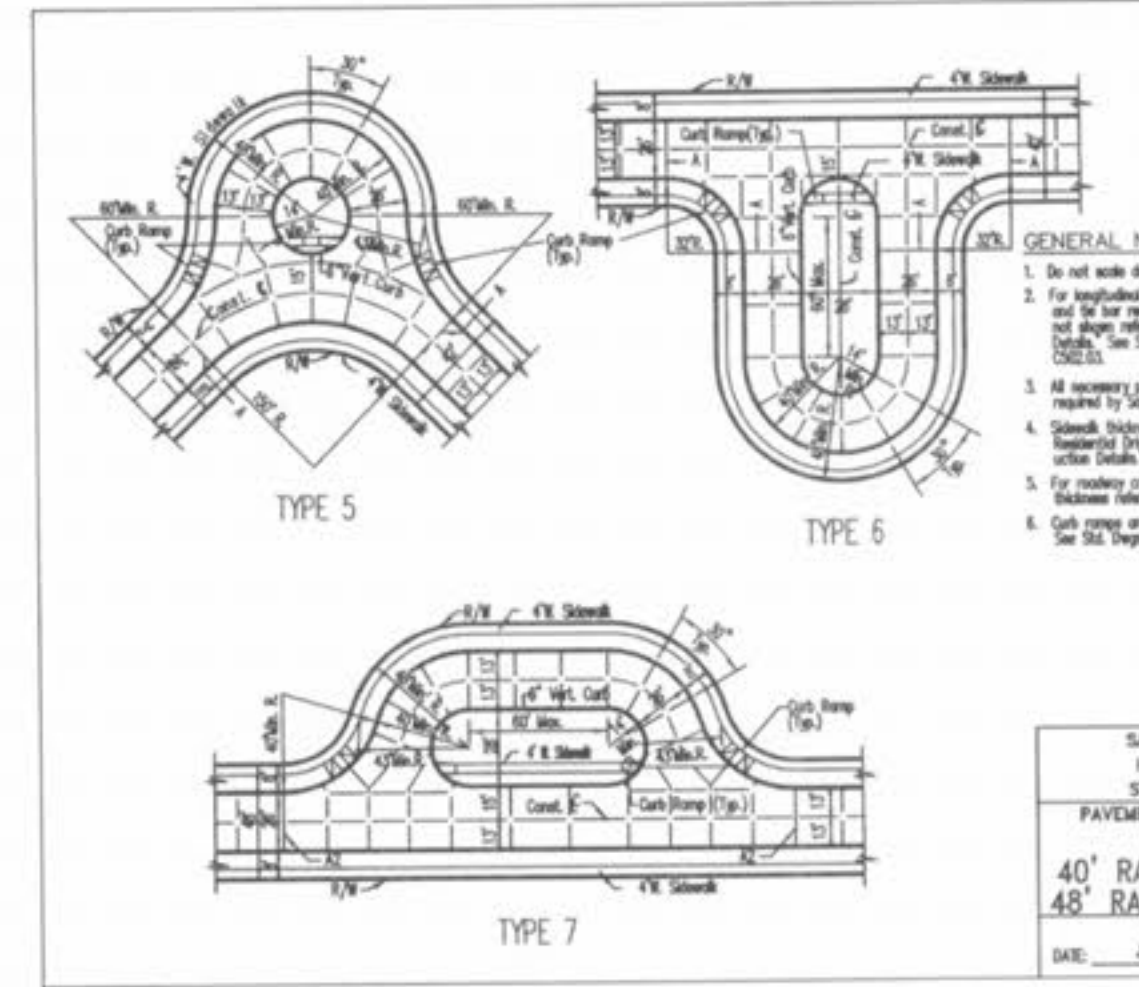


GENERAL NOTES

1. Do not scale drawings. Follow dimensions.
2. Sections are representative about construction details.
3. For longitudinal and transverse joints, used and for repair materials and construction details, see the Standard Specifications for Construction, Missouri, 2002 Edition, Chapter 202, Section 202.01.
4. All necessary pavement markings shall be as required by Saint Charles County.
5. Sections shown may not apply to intersections.
6. Standard Specifications for Construction, Missouri, 2002 Edition, Chapter 202, Section 202.01.
7. Equipment when required shall be established on the Standard Specifications for Construction, Missouri, 2002 Edition, Chapter 202, Section 202.01.

TYPICAL SECTION
RESIDENTIAL
 60' R/W 36' PAVT.

DATE: September, 2002 DRAWING: C203.84B

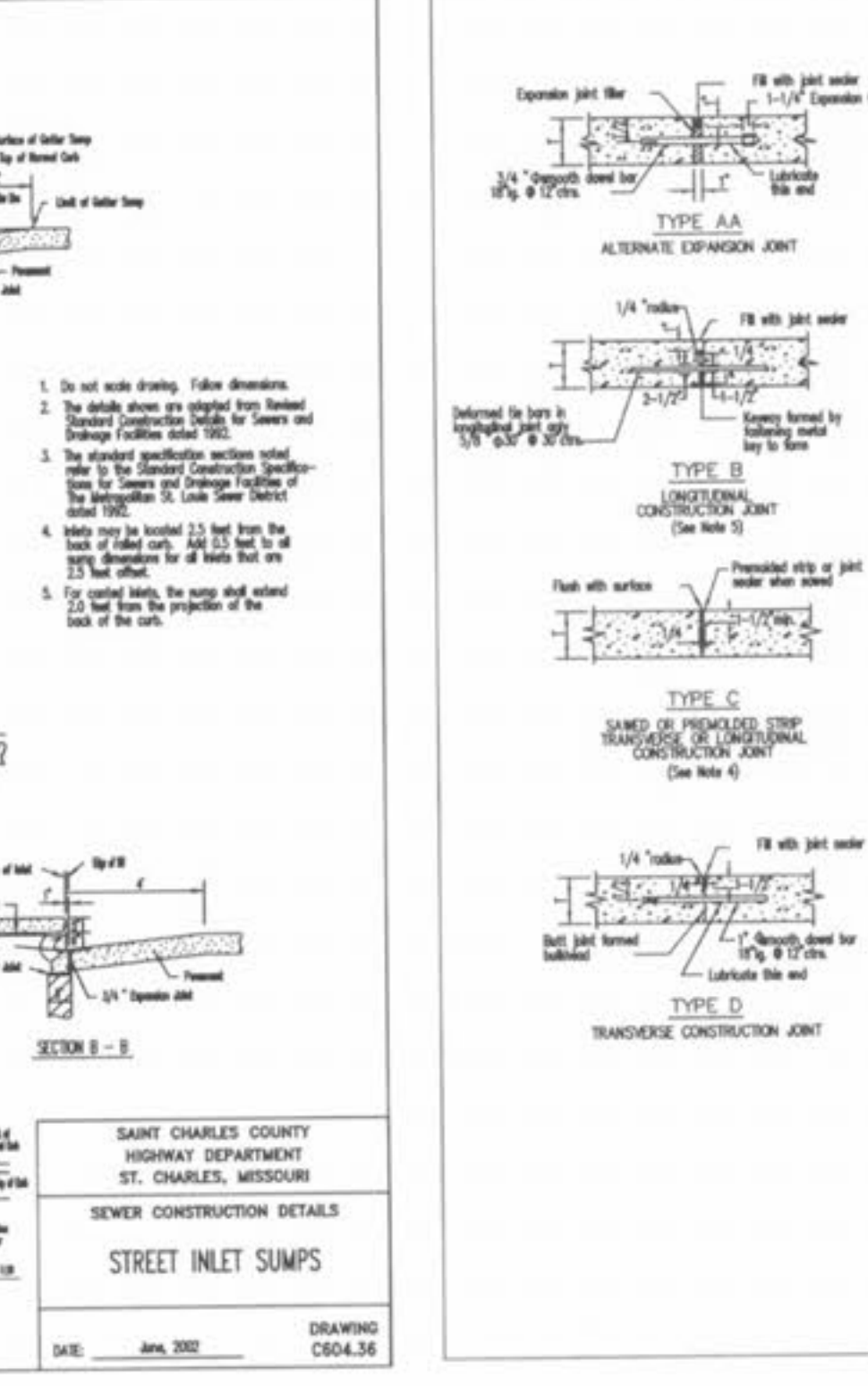
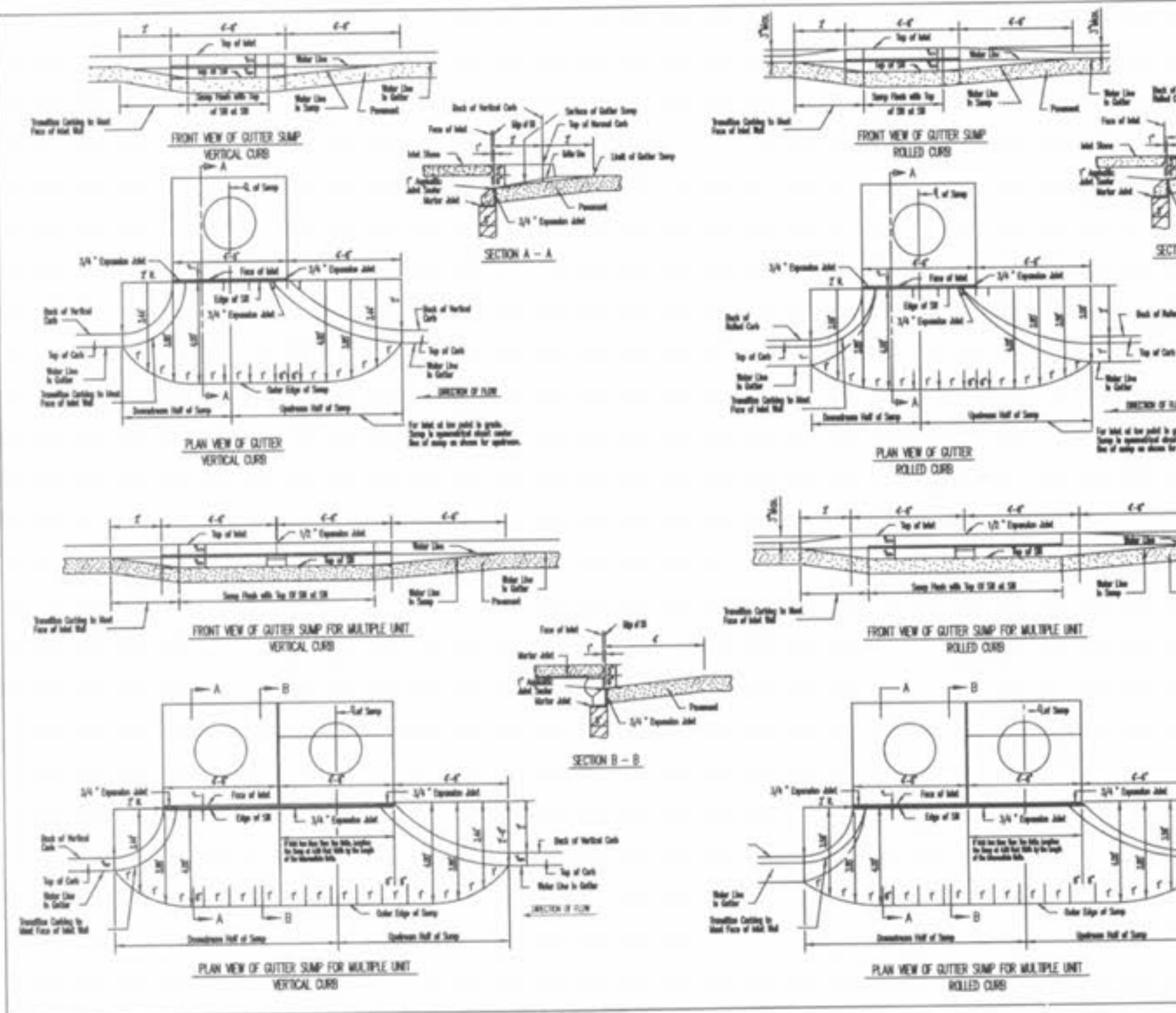


GENERAL NOTES

1. Do not scale drawings. Follow dimensions.
2. For longitudinal and transverse joints, used and for repair materials and construction details, see the Standard Specifications for Construction, Missouri, 2002 Edition, Chapter 202, Section 202.01.
3. All necessary pavement markings shall be as required by Saint Charles County.
4. Standard Specifications for Construction, Missouri, 2002 Edition, Chapter 202, Section 202.01.
5. For joint and bar requirements refer to the Standard Specifications for Construction, Missouri, 2002 Edition, Chapter 202, Section 202.01.
6. The location of the joint shall be as required by the Standard Specifications for Construction, Missouri, 2002 Edition, Chapter 202, Section 202.01.

SAINT CHARLES COUNTY
 HIGHWAY DEPARTMENT
 ST. CHARLES, MISSOURI
 STANDARD TYPICAL SECTION
RESIDENTIAL
 40' RADIUS TURNAROUNDS
 48' RADIUS RIGHT-OF-WAY

DATE: June, 2002 DRAWING: C203.84B

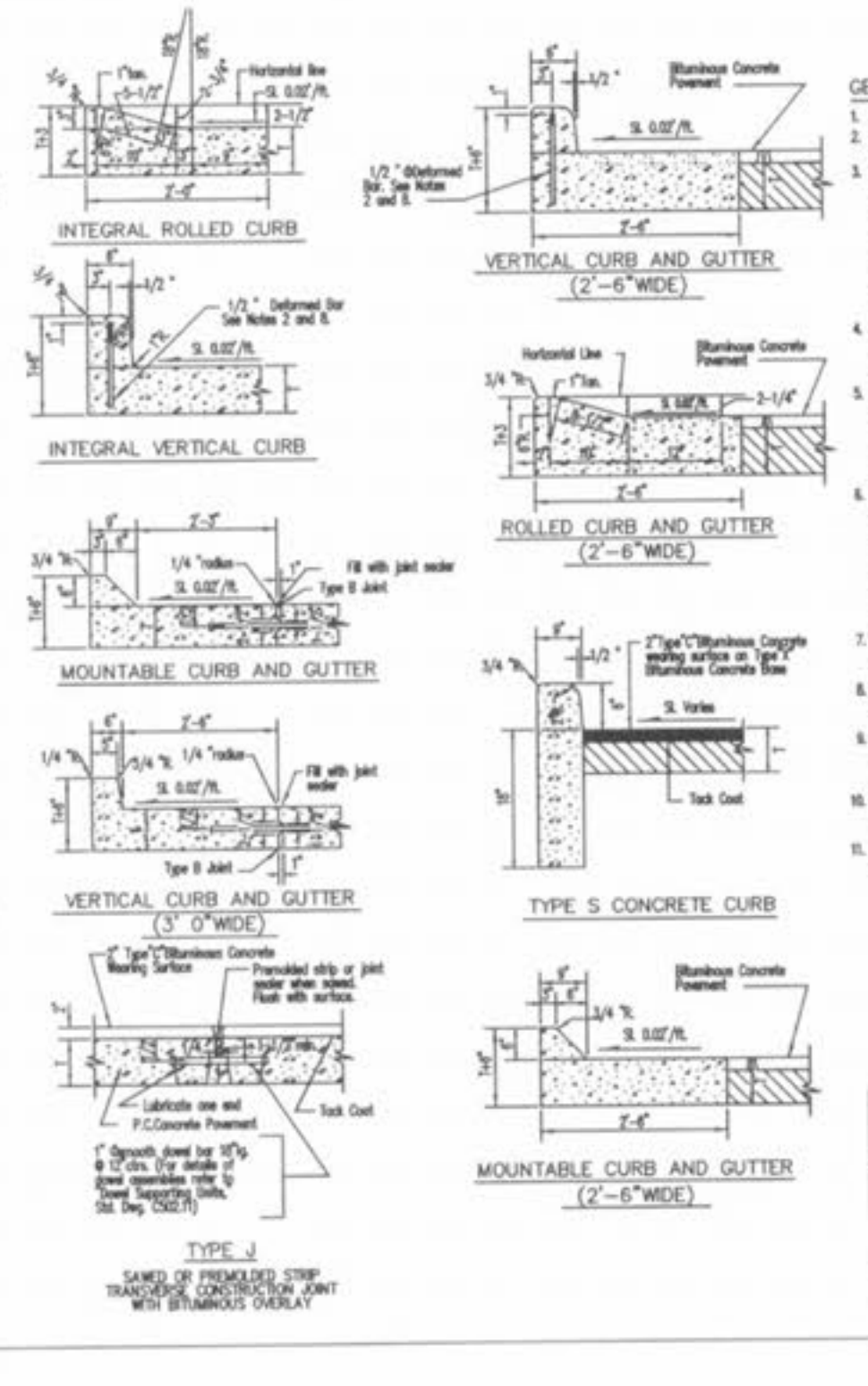


GENERAL NOTES

1. Do not scale drawings. Follow dimensions.
2. The details shown are standard for the Standard Specifications for Construction, Missouri, 2002 Edition, Chapter 202, Section 202.01.
3. The standard specifications section shall refer to the Standard Specifications for Construction, Missouri, 2002 Edition, Chapter 202, Section 202.01.
4. When a joint is required, it shall be constructed in accordance with the Standard Specifications for Construction, Missouri, 2002 Edition, Chapter 202, Section 202.01.
5. For joint and bar requirements refer to the Standard Specifications for Construction, Missouri, 2002 Edition, Chapter 202, Section 202.01.

SAINT CHARLES COUNTY
 HIGHWAY DEPARTMENT
 ST. CHARLES, MISSOURI
 STANDARD TYPICAL SECTION
JOINTS AND CURBS

DATE: September, 2002 DRAWING: C202.03

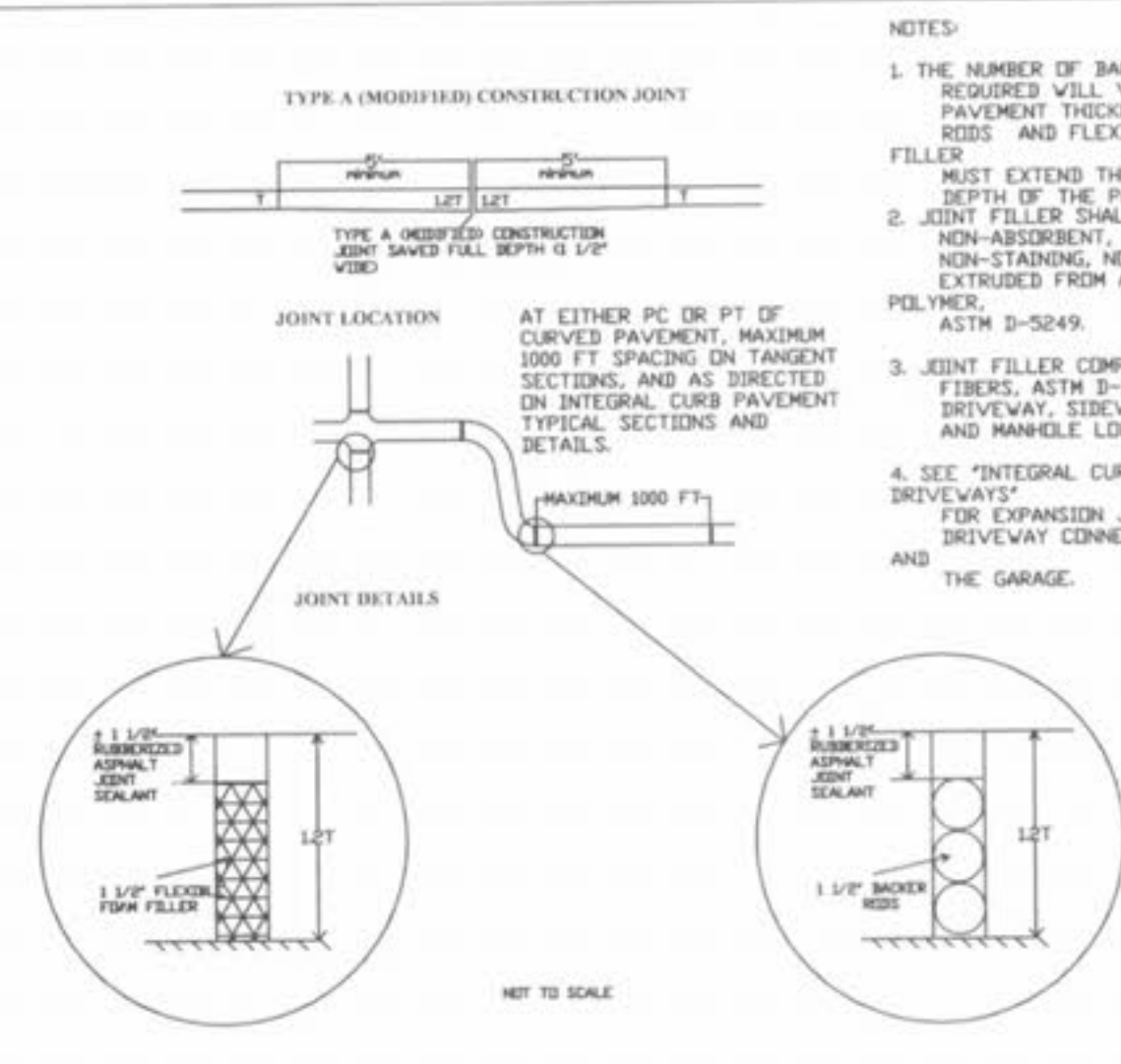


GENERAL NOTES

1. Do not scale drawings. Follow dimensions.
2. Construction joint cut to the base shall be finished with a smooth, rounded top.
3. Minimum thickness for concrete shall be as required by the Standard Specifications for Construction, Missouri, 2002 Edition, Chapter 202, Section 202.01.
4. Type 10' maximum shall be required for integral and non-integral curbs, see Type 10' transverse joint for all others.
5. For installation on stone granular base, a 1/2 inch thick concrete curb shall be used for Type 10' longitudinal joints and 1/2 inch thick concrete curb shall be used for Type 10' longitudinal joints.
6. Refer to Standard Specifications for Construction, Missouri, 2002 Edition, Chapter 202, Section 202.01 for details on construction of curb and gutter.
7. All related bars for joints and curbs shall be as required by the Standard Specifications for Construction, Missouri, 2002 Edition, Chapter 202, Section 202.01.
8. Length of the bar to be used shall be as required by the Standard Specifications for Construction, Missouri, 2002 Edition, Chapter 202, Section 202.01.
9. Transverse or longitudinal construction joints in the curb and gutter shall be as required by the Standard Specifications for Construction, Missouri, 2002 Edition, Chapter 202, Section 202.01.
10. The line out of the curb and gutter shall be as required by the Standard Specifications for Construction, Missouri, 2002 Edition, Chapter 202, Section 202.01.
11. All steel bars 1/2" x 1/2" shall be epoxy coated.

SAINT CHARLES COUNTY
 HIGHWAY DEPARTMENT
 ST. CHARLES, MISSOURI
 PAVEMENT CONSTRUCTION DETAILS
JOINTS AND CURBS

DATE: September, 2002 DRAWING: C202.03



NOTES

1. THE NUMBER OF BACKER RODS REQUIRED WILL VARY WITH THE PAVEMENT THICKNESS, BACKER RODS AND FLEXIBLE FOAM FILLER MUST EXTEND THROUGH THE FULL DEPTH OF THE PAVEMENT.
2. JOINT FILLER SHALL BE A FLEXIBLE, NON-ABSORBENT, NON-GASSING, NON-STAINING, NON-SHRINKING MATERIAL, EXTRUDED FROM A CLOSED-CELL POLYMER, ASTM D-5249.
3. JOINT FILLER COMPRISED OF CELLULAR FIBERS, ASTM D-1751, MAY BE USED AT DRIVEWAYS, SIDEWALKS, AND SEWER INLET AND MANHOLE LOCATIONS.
4. SEE INTEGRAL CURB DETAIL, "B" AT DRIVEWAYS FOR EXPANSION JOINT REQUIREMENTS AT DRIVEWAY CONNECTIONS TO THE STREET AND THE GARAGE.

SAINT CHARLES COUNTY
 HIGHWAY DEPARTMENT
 ST. CHARLES, MISSOURI
 PAVEMENT CONSTRUCTION DETAILS
 Type "A" Expansion Joint

DATE: May, 2002 DRAWING: C203.84C