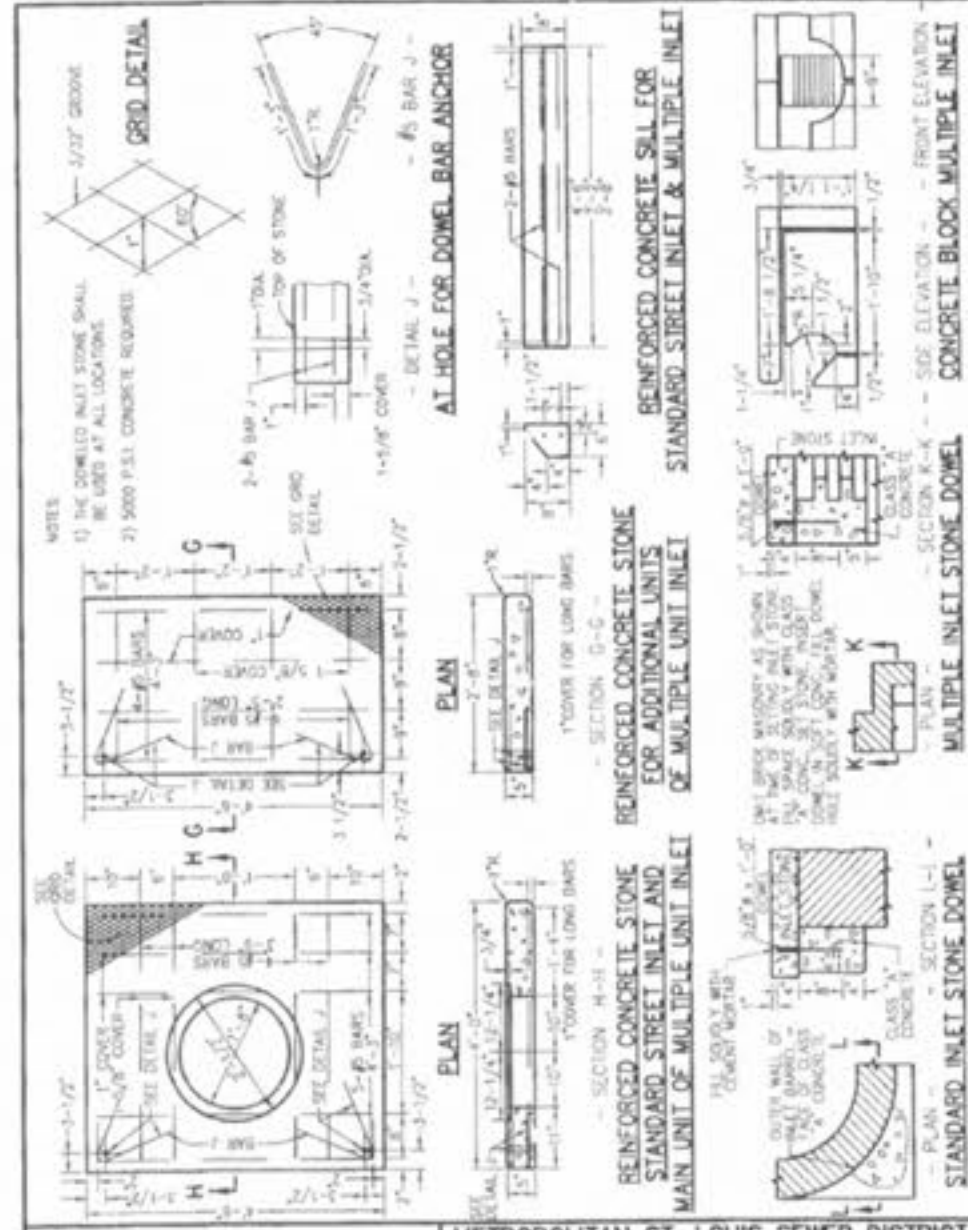
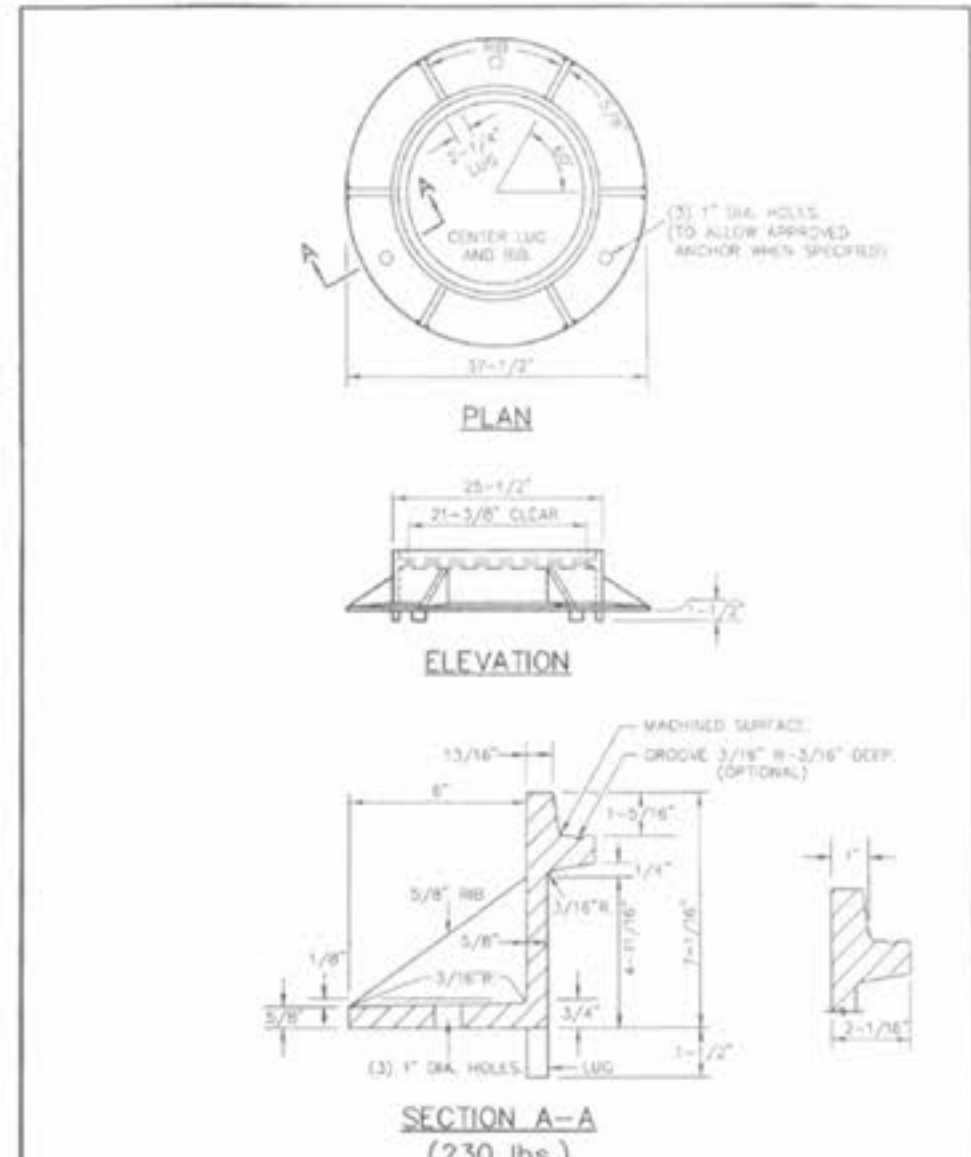


NOTES:  
 1) SEE TWO (2) STANDARD INLET STONES IN 3/4\"/>

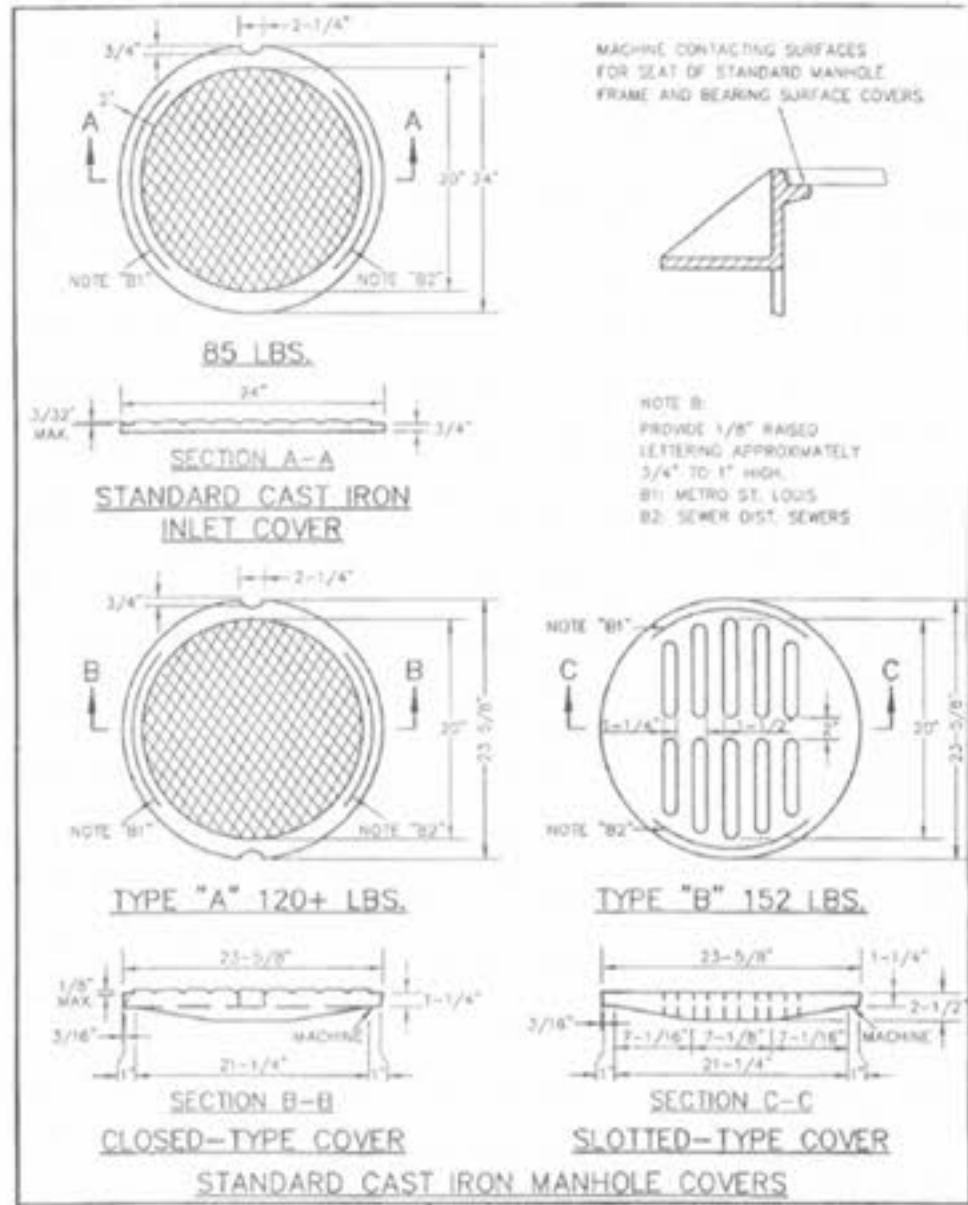
PRECAST CONCRETE UNIT "B" FOR STREET DOUBLE INLET  
 METROPOLITAN ST. LOUIS SEWER DISTRICT  
 Standard Details of Sewer Construction  
 Dr. RGM/SAM Ch. J.C.K. 2000 SHEET 44



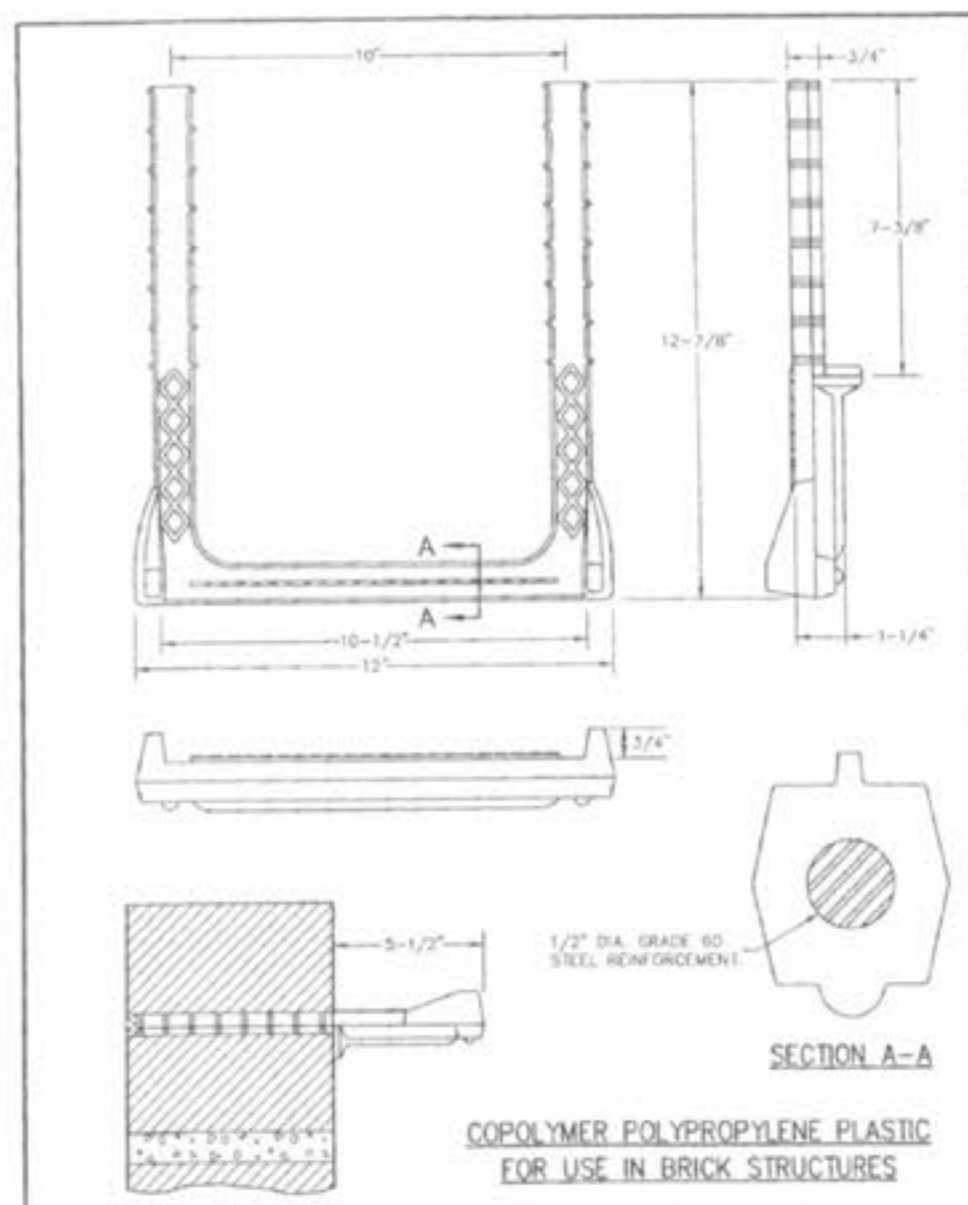
STANDARD - INLET STONES, BLOCKS & DESIGN DETAILS  
 METROPOLITAN ST. LOUIS SEWER DISTRICT  
 Standard Details of Sewer Construction  
 Dr. WSH/SAM Ch. J.C.K. 2000 SHEET 45



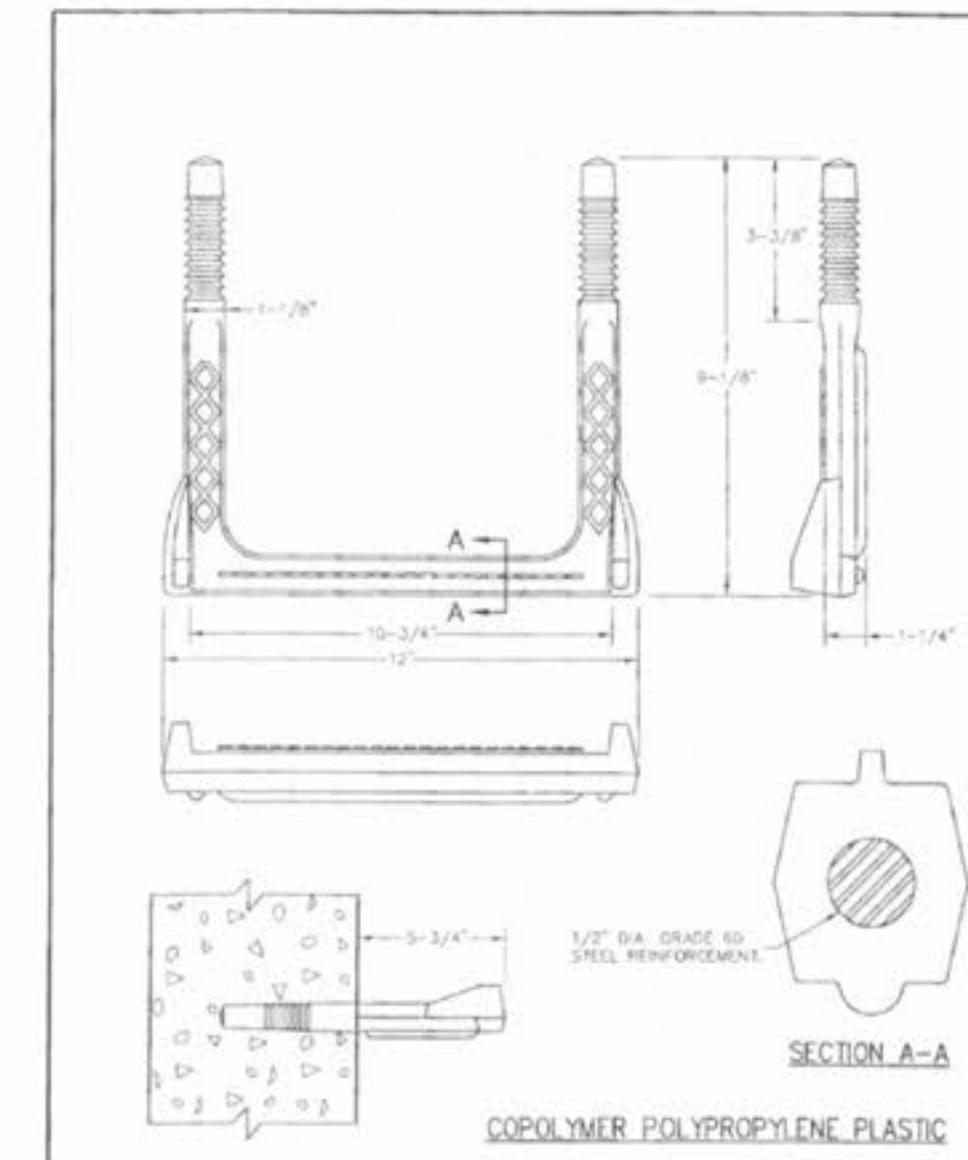
CAST IRON MANHOLE FRAME  
 METROPOLITAN ST. LOUIS SEWER DISTRICT  
 Standard Details of Sewer Construction  
 Dr. DAB/SAM Ch. J.C.K. 2000 SHEET 52



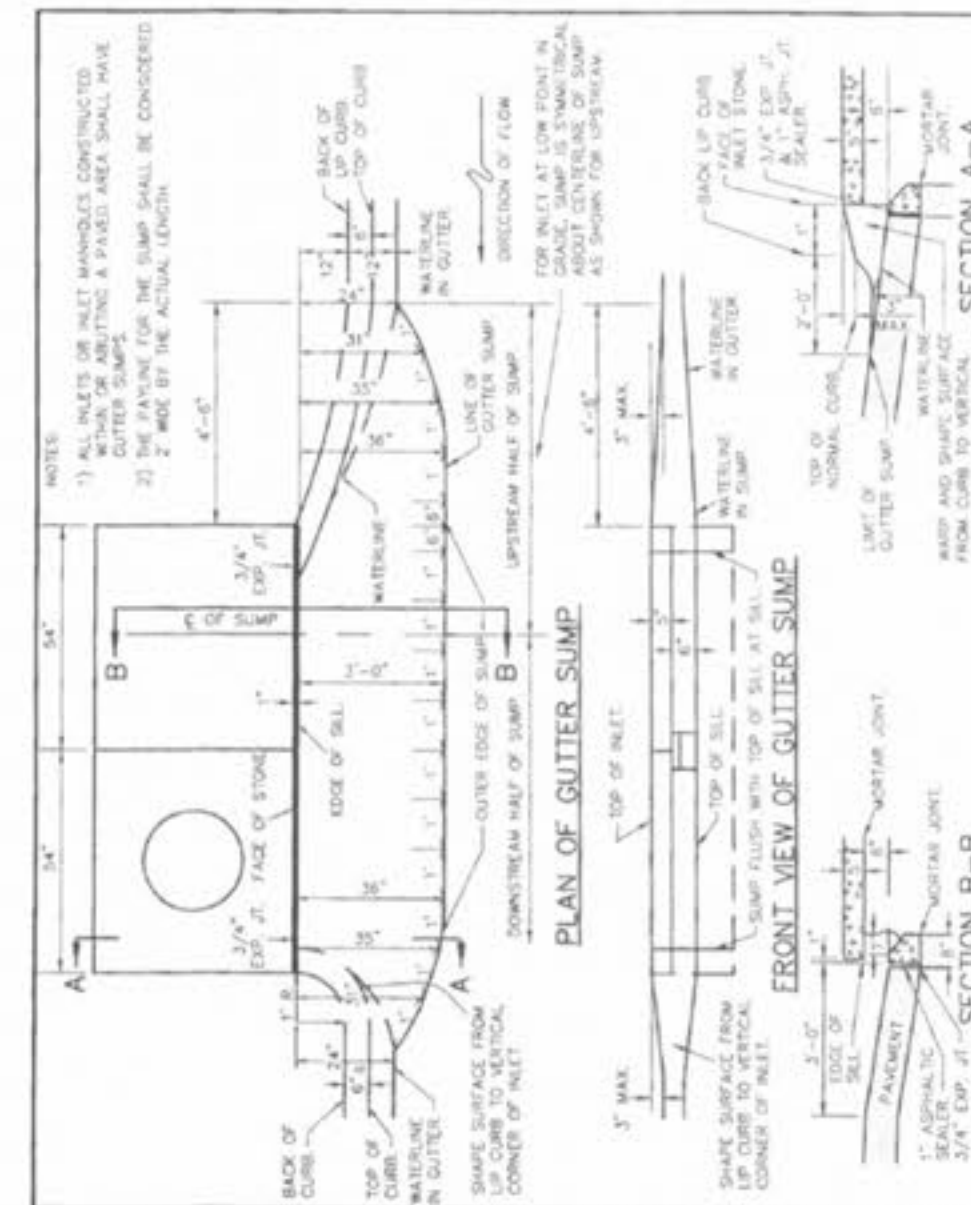
CAST IRON COVERS MANHOLES AND INLETS  
 METROPOLITAN ST. LOUIS SEWER DISTRICT  
 Standard Details of Sewer Construction  
 Dr. RGM/SAM Ch. J.C.K. 2000 SHEET 53



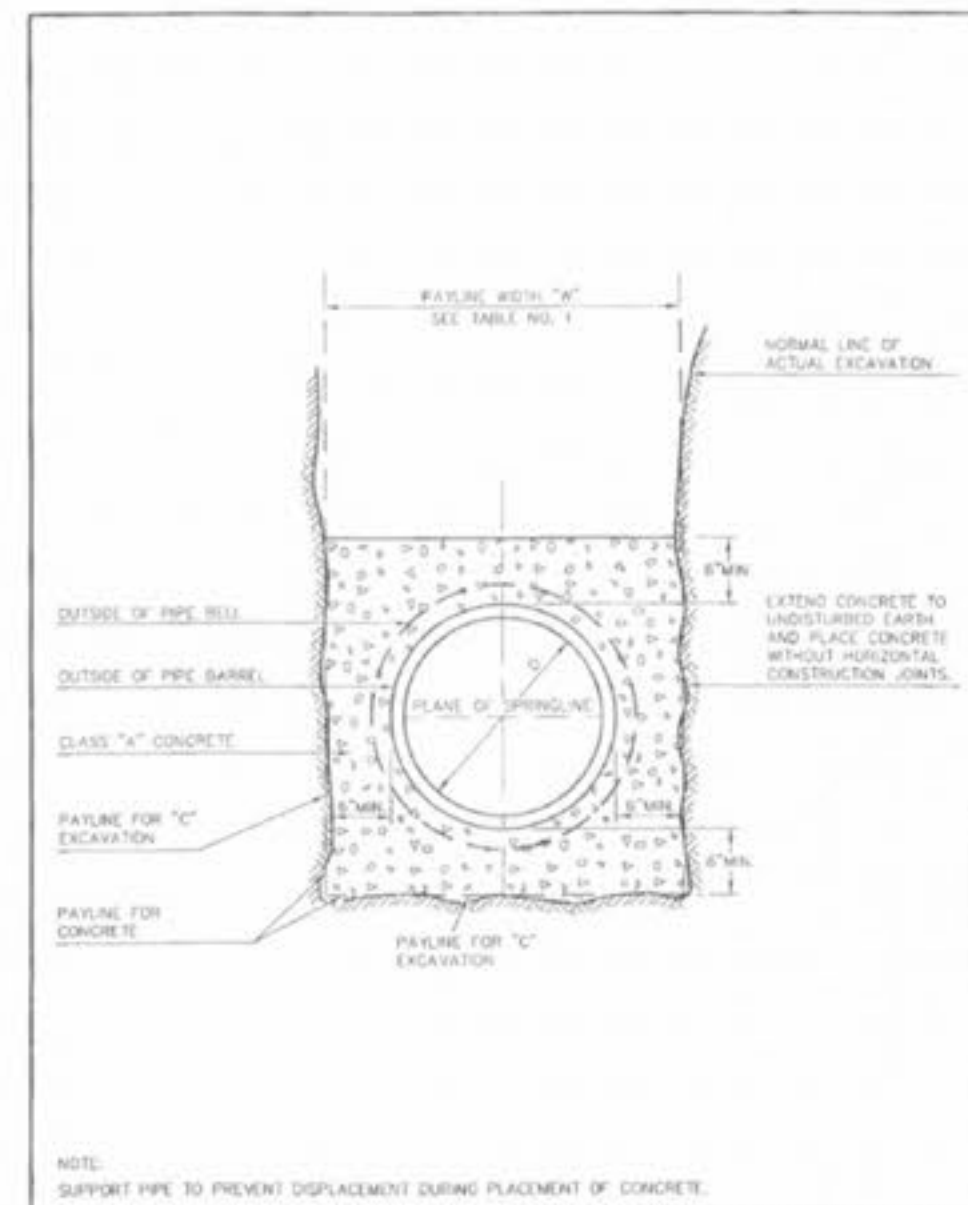
PSI-B MANHOLE STEP INTO JOINT  
 METROPOLITAN ST. LOUIS SEWER DISTRICT  
 Standard Details of Sewer Construction  
 Dr. WSH Ch. J.C.K. 2000 SHEET 57



MANHOLE STEP FOR PRECAST & CAST-IN-PLACE MANHOLE  
 METROPOLITAN ST. LOUIS SEWER DISTRICT  
 Standard Details of Sewer Construction  
 Dr. D.A.B Ch. J.C.K. 2000 SHEET 58



GUTTER SUMP FOR LIP CURB  
 METROPOLITAN ST. LOUIS SEWER DISTRICT  
 Standard Details of Sewer Construction  
 Dr. RGM/SAM Ch. J.C.K. 2000 SHEET 60



CONCRETE ENCASEMENT  
 METROPOLITAN ST. LOUIS SEWER DISTRICT  
 Standard Details of Sewer Construction  
 Dr. WSH Ch. J.C.K. 2000 SHEET 6