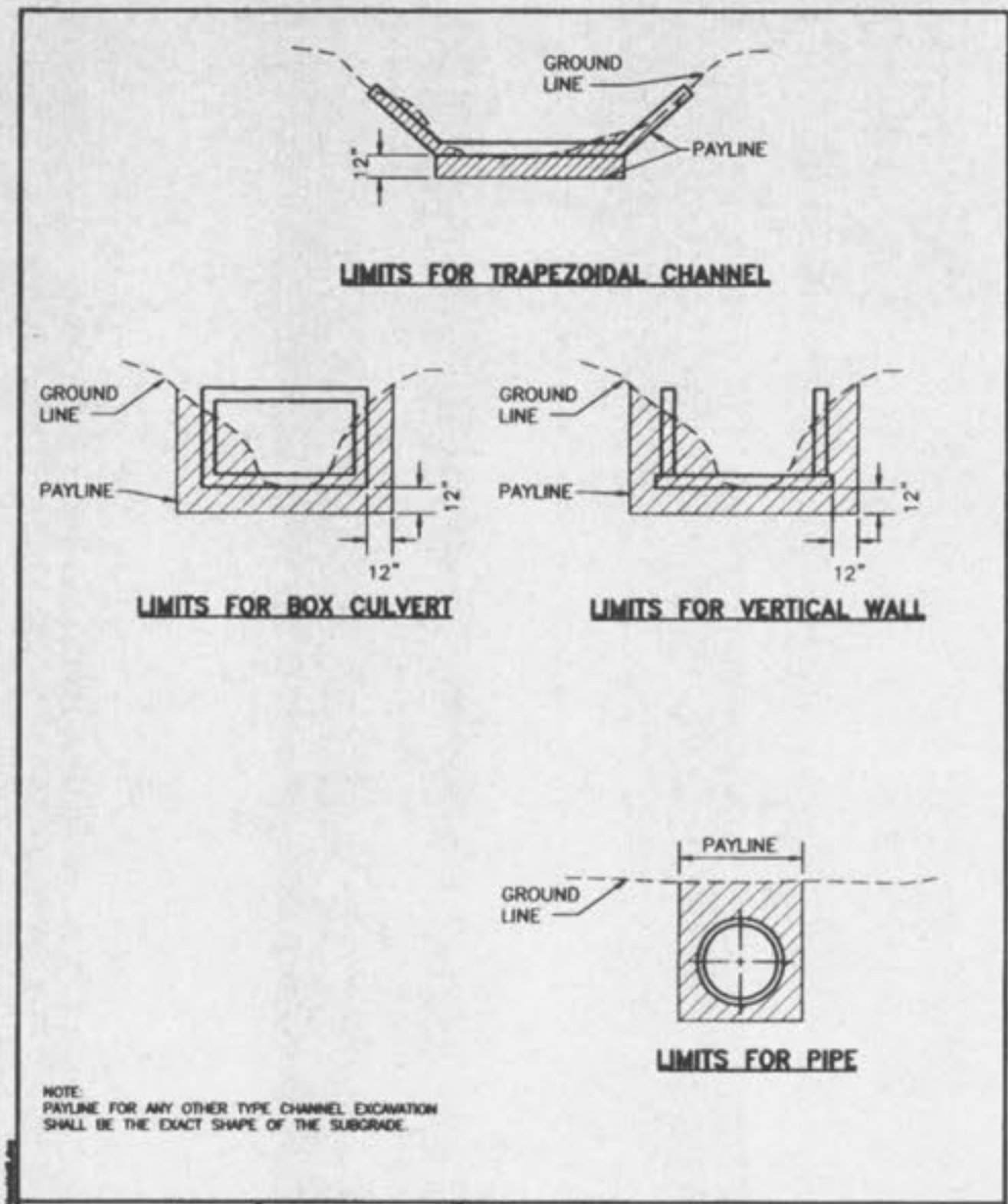
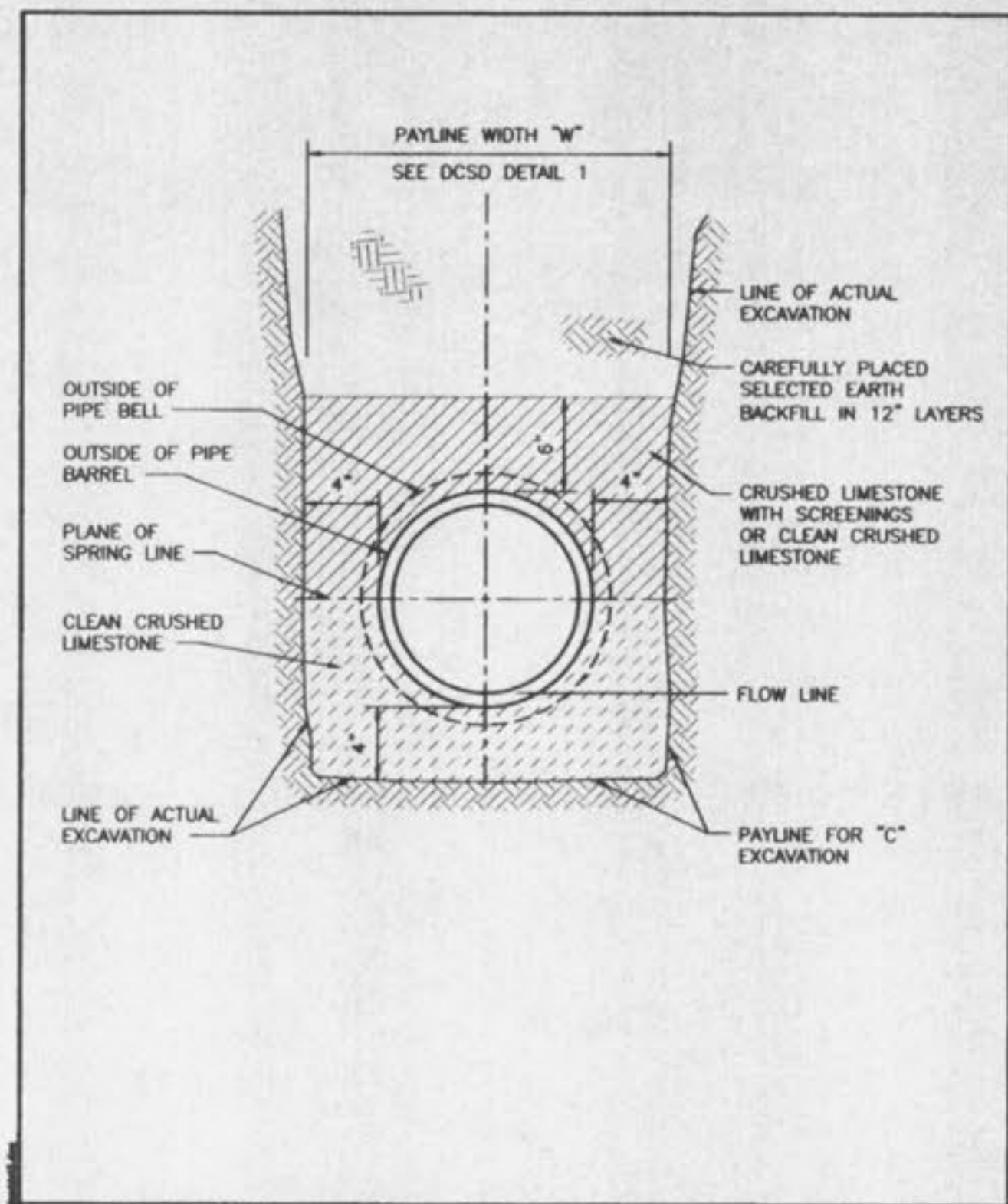


ROUND PIPE				HORIZONTAL ELLIPTICAL PIPE			
INSIDE DIAMETER OF PIPE (INCHES)	"W" PAYLINE WIDTH OF TRENCH (INCHES)	"W" PAYLINE WIDTH OF TRENCH (FEET)	PAY-VOLUMES CU. FT. PER FT. CONCRETE ENCASUREMENT	INSIDE DIAMETER OF PIPE (INCHES)	"W" PAYLINE WIDTH OF TRENCH (INCHES)	"W" PAYLINE WIDTH OF TRENCH (FEET)	PAY-VOLUMES CU. FT. PER FT. CONCRETE ENCASUREMENT
4	30	2.50	3.28				
6	30	2.50	3.59				
8	30	2.50	3.87				
10	30	2.50	4.09				
12	30	2.50	4.25				
15	36	3.00	5.55				
18	36	3.00	5.77	14 x 23	41	3.42	5.94
21	39	3.25	6.61				
24	42	3.50	7.39	19 x 30	49	4.08	7.68
27	45	3.75	8.18	22 x 34	53	4.42	8.61
30	49	4.08	9.30	24 x 38	58	4.83	9.70
33	53	4.42	10.53	27 x 42	62	5.17	10.71
36	56	4.67	11.43	29 x 45	66	5.50	11.72
39	DISCONTINUED			32 x 49	71	5.92	13.14
42	63	5.25	13.38	34 x 53	75	6.25	14.05
48	70	5.83	15.67	38 x 60	83	6.92	16.18
54	77	6.42	18.15	43 x 68	92	7.67	18.81
60	84	7.00	20.73	48 x 76	101	8.42	21.59
66	91	7.58	23.45	53 x 83	109	9.08	24.35
72	98	8.17	26.37	58 x 91	118	9.83	27.45
78	105	8.75	29.39	63 x 98	126	10.50	30.50
84	112	9.33	32.57	68 x 106	135	11.25	33.91
90	119	9.92	35.90	72 x 113	143	11.92	36.99
96	126	10.50	39.37	77 x 121	152	12.67	40.69
102	133	11.08	42.99	82 x 128	160	13.33	44.45
108	140	11.67	46.75	87 x 136	168	14.00	47.79
114	147	12.25	50.66	92 x 143	176	14.67	51.70
120	154	12.83	54.72	97 x 151	185	15.42	56.01
126	161	13.42	58.92				
132	168	14.00	63.27	106 x 166	202	16.83	64.48
144	182	15.17	72.40	116 x 180	218	18.17	73.59

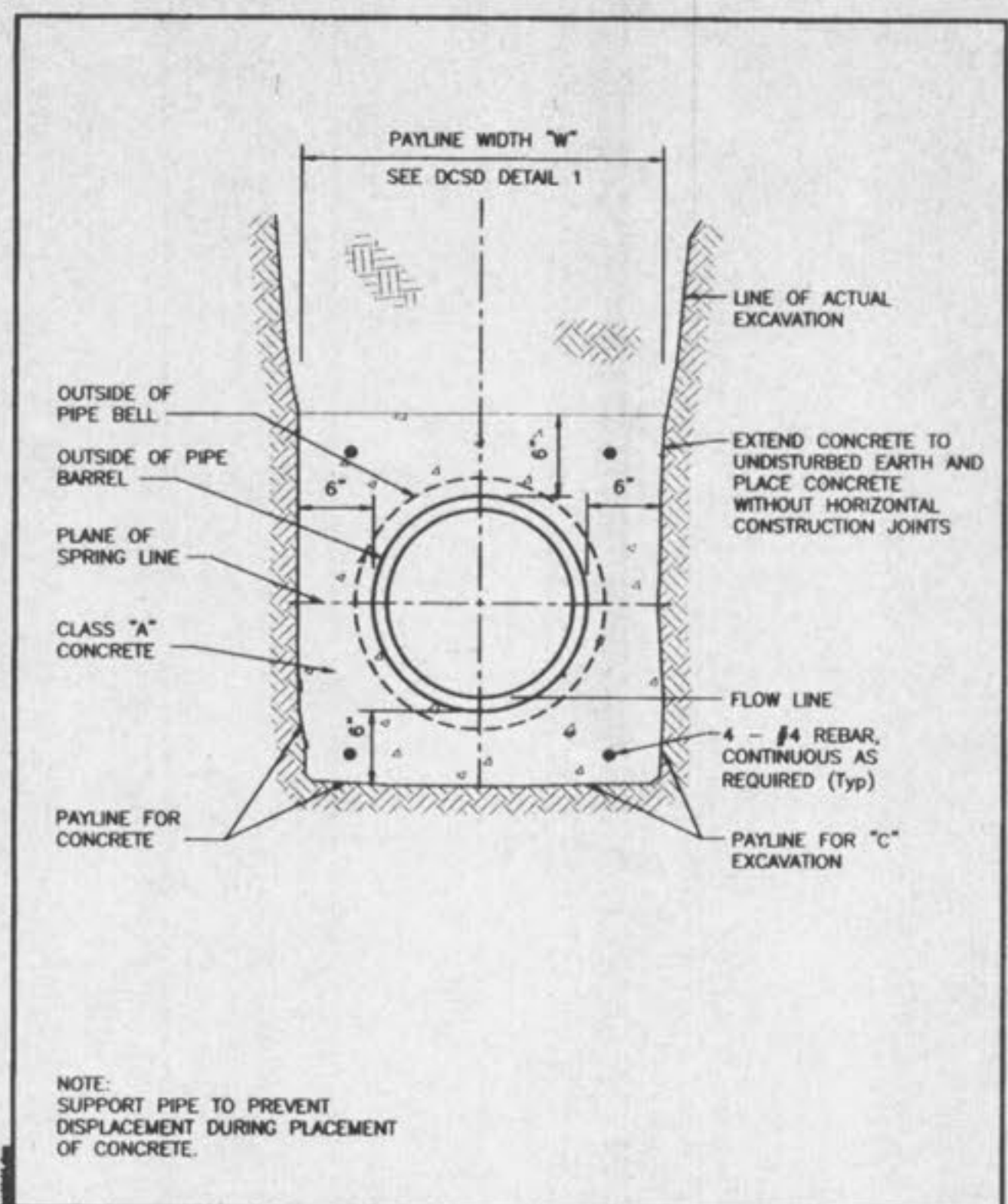
**DUCKETT CREEK SANITARY DISTRICT**  
PAYLINE WIDTHS OF TRENCH AND PAY-QUANTITIES OF CONCRETE  
 Date: BSM App: KLA Detail: 1  
 Drawn by: MDOB Date: 12-21-99



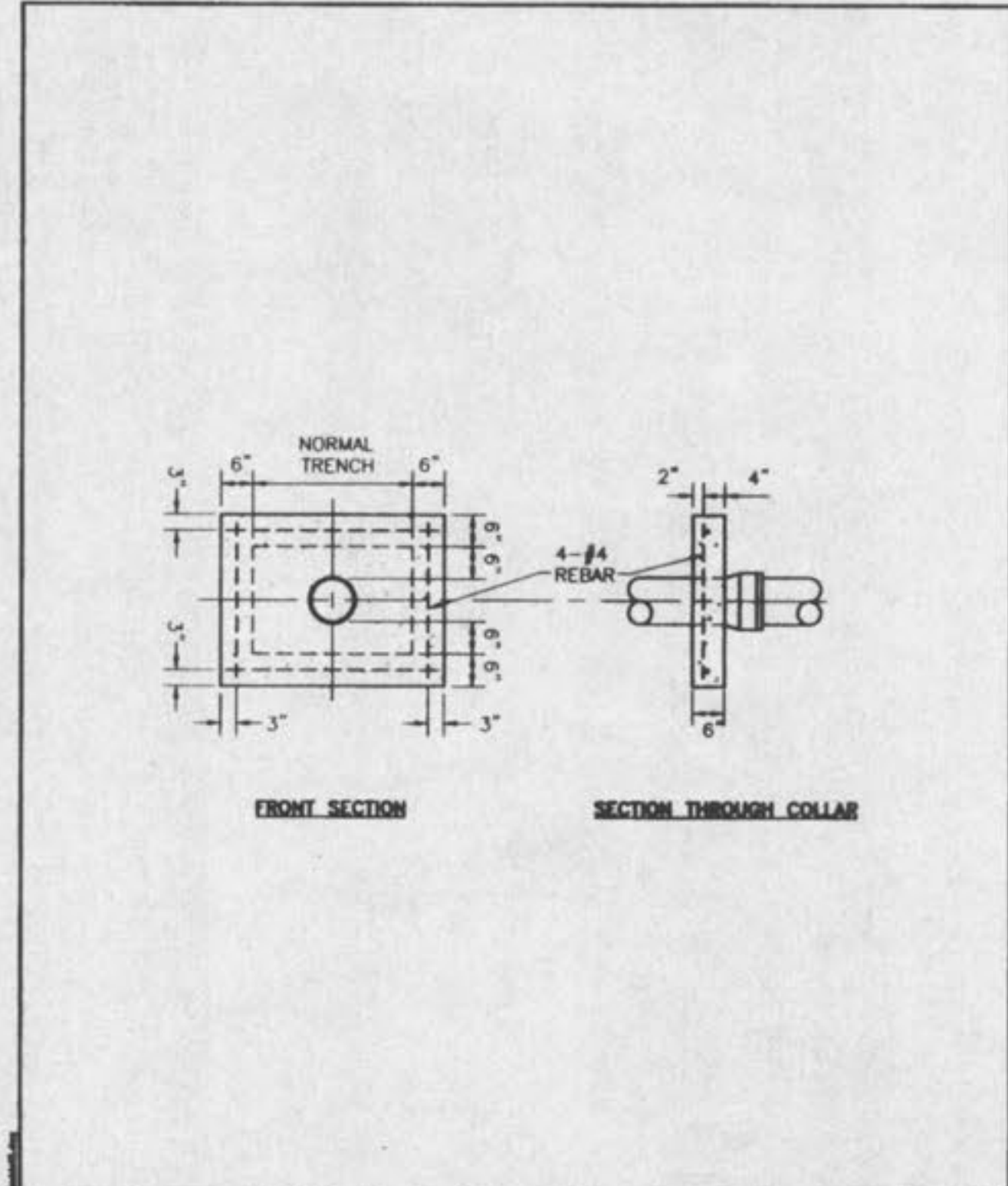
**DUCKETT CREEK SANITARY DISTRICT**  
PAYLINE LIMITS FOR EXCAVATION  
 Date: BSM App: KLA Detail: 2  
 Drawn by: MDOB Date: 12-21-99



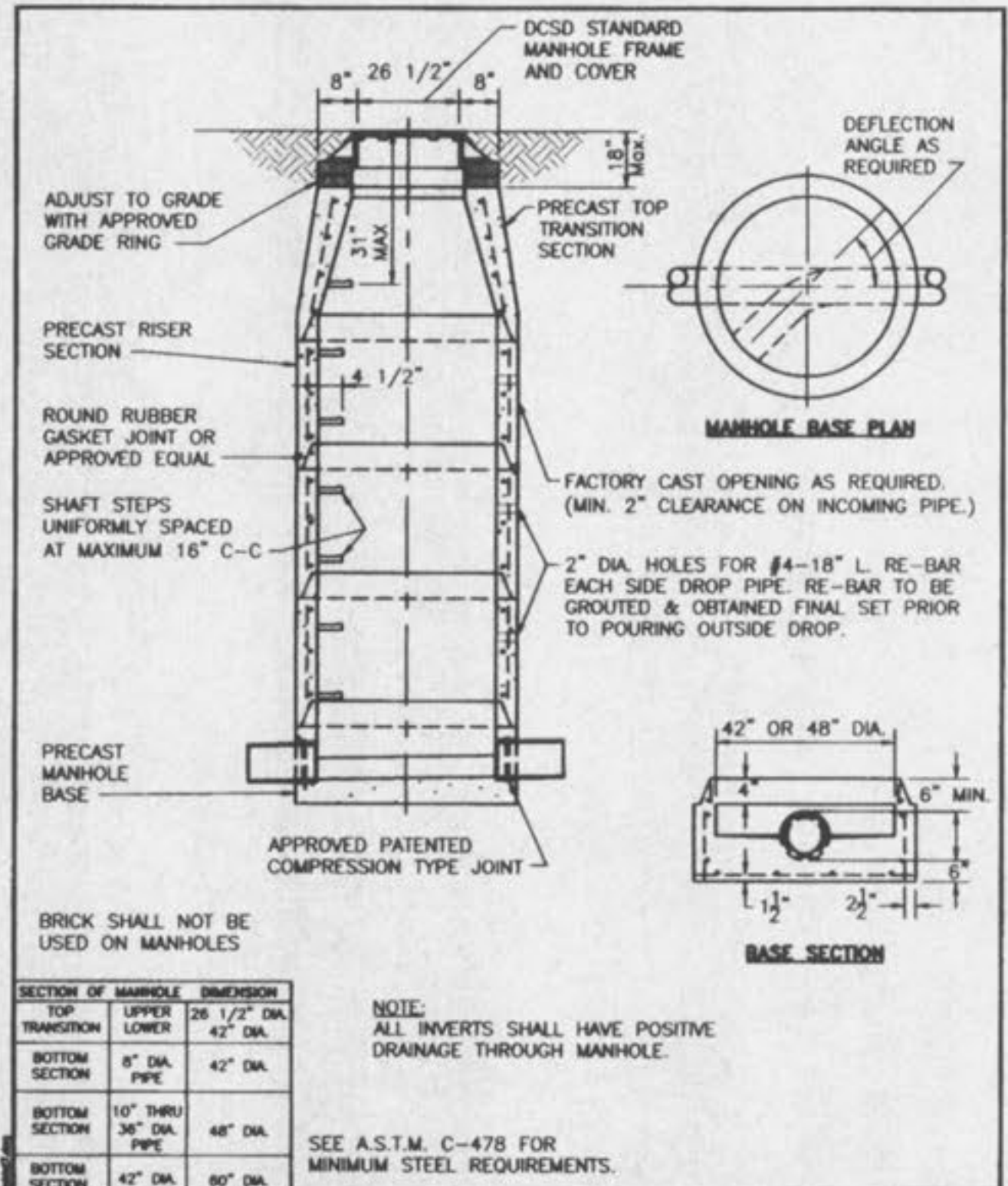
**DUCKETT CREEK SANITARY DISTRICT**  
PIPE BEDDING CLASS "C" (FOR ALL PIPE EXCEPT REINFORCED CONCRETE PIPE)  
 Date: BSM App: KLA Detail: 3  
 Drawn by: MDOB Date: 12-21-99



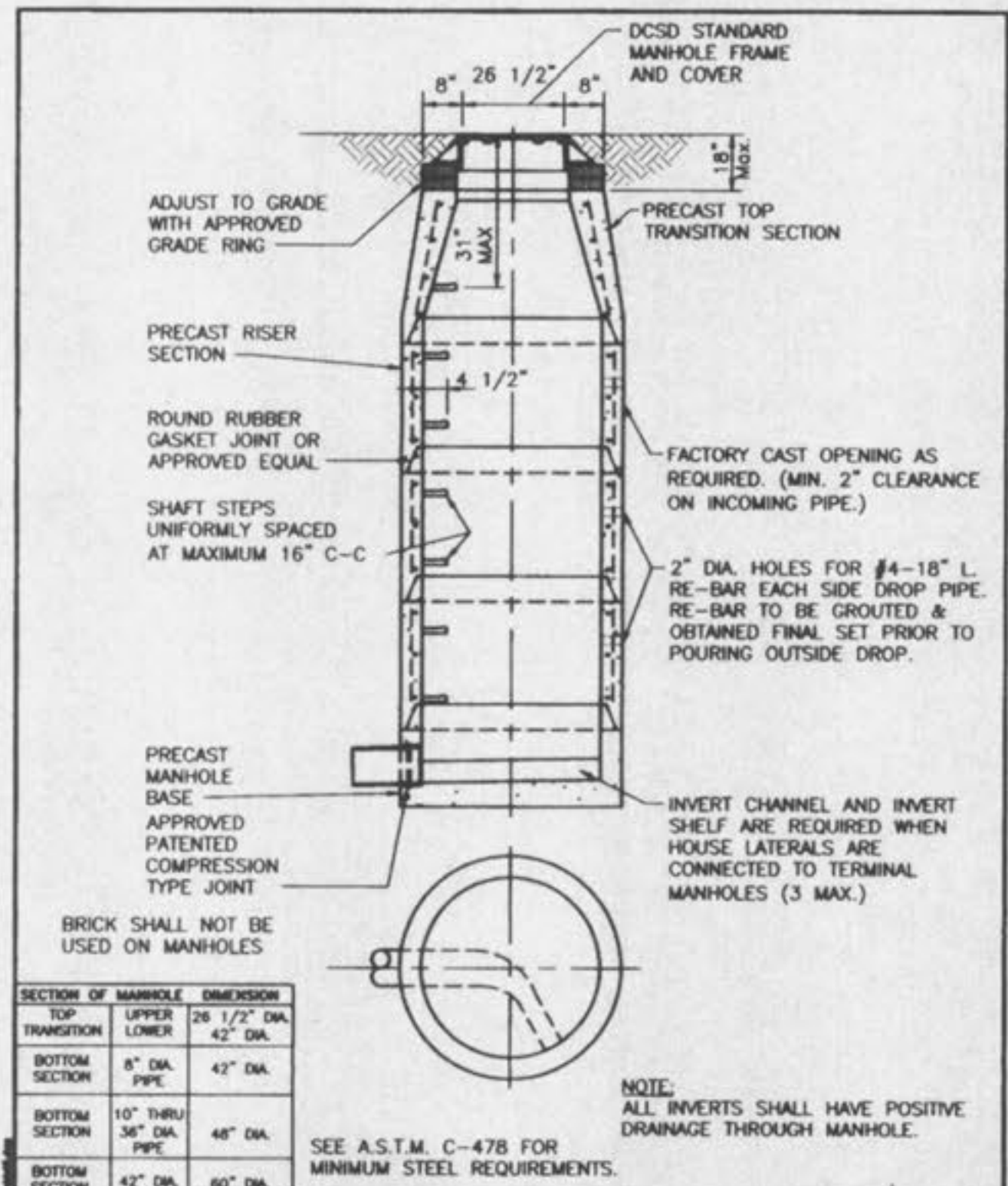
**DUCKETT CREEK SANITARY DISTRICT**  
TYPICAL CONCRETE ENCASUREMENT  
 Date: BSM App: KLA Detail: 4  
 Drawn by: MDOB Date: 12-21-99



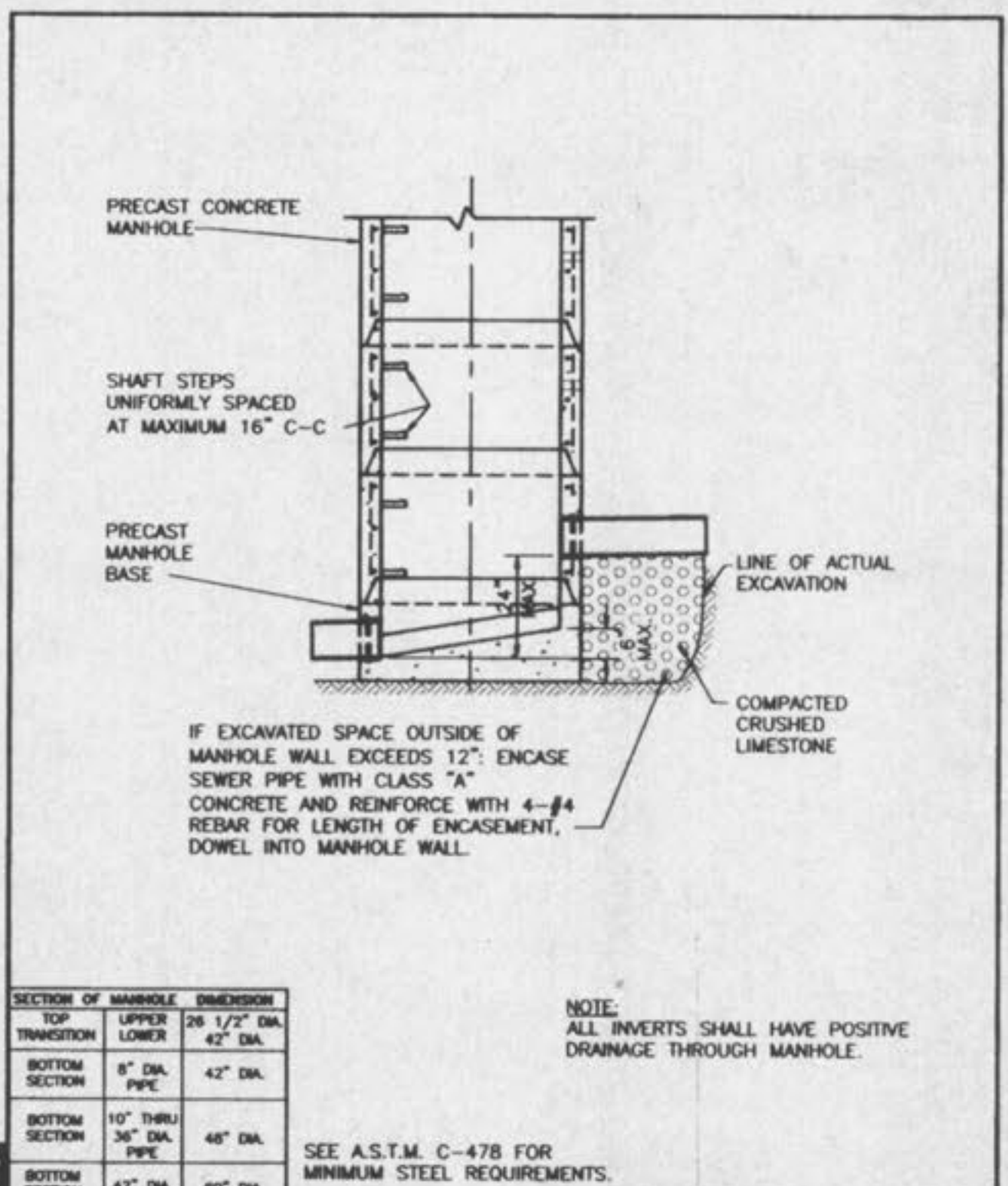
**DUCKETT CREEK SANITARY DISTRICT**  
CONCRETE ANTI-SLIP COLLAR FOR PVC PIPE ON PIPE SLOPES FROM 15% TO 50%  
 Date: BSM App: KLA Detail: 5  
 Drawn by: MDOB Date: 12-21-99



**DUCKETT CREEK SANITARY DISTRICT**  
PRE-CAST CONCRETE MANHOLE FOR SEWERS 8" THROUGH 18"  
 Date: BSM App: KLA Detail: 7  
 Drawn by: MDOB Date: 12-30-99



**DUCKETT CREEK SANITARY DISTRICT**  
TERMINAL MANHOLE FOR SEWERS 8" THROUGH 18"  
 Date: BSM App: KLA Detail: 8  
 Drawn by: MDOB Date: 01-03-00



**DUCKETT CREEK SANITARY DISTRICT**  
INSIDE FOULWATER DROP MANHOLE (SWEEP INVERT)  
 Date: BSM App: KLA Detail: 9  
 Drawn by: MDOB Date: 01-04-00

THE UNDERGROUND UTILITIES SHOWN HEREON WERE PLOTTED FROM AVAILABLE INFORMATION AND DO NOT NECESSARILY REFLECT THE ACTUAL EXISTENCE, NONEXISTENCE, SIZE, TYPE, NUMBER OR LOCATION OF THESE OR OTHER UTILITIES. THE GENERAL CONTRACTOR SHALL BE RESPONSIBLE FOR VERIFYING THE ACTUAL LOCATION OF ALL UNDERGROUND UTILITIES, SHOWN OR NOT SHOWN, AND SAID UTILITIES SHALL BE LOCATED IN THE FIELD PRIOR TO ANY GRADING, EXCAVATION OR CONSTRUCTION OF IMPROVEMENTS. THESE PROVISIONS SHALL IN NO WAY ABSOLVE ANY PARTY FROM COMPLYING WITH THE UNDERGROUND FACILITY SAFETY AND DAMAGE PREVENTION ACT, CHAPTER 318, RSMo.

ISSUE REMARKS/DATE: 10/19/01 FIRST SUBMITTAL

PREPARED FOR: **GOLDKAP III, L.L.C.**  
401 NORTH LINDBERGH BOULEVARD  
ST. LOUIS, MISSOURI 63141  
(314) 432-3088

PREPARED BY: **THE STERLING CO.**  
ENGINEERS & SURVEYORS  
5065 NEW BAUMGARTNER ROAD  
ST. LOUIS, MISSOURI 63129  
(314) 487-0440 FAX 487-8944  
E-Mail: Sterling@sterling-eng-sur.com

PROJECT: **AVONDALE SPRING**

SHEET TITLE: **DCSD DETAILS**

NO. 01 01 012  
M.S.D. SHEET  
P# CD5  
DIGITAL FILE LOCATION: S:\P\10119\10119.DWG  
DATE: 10/19/01