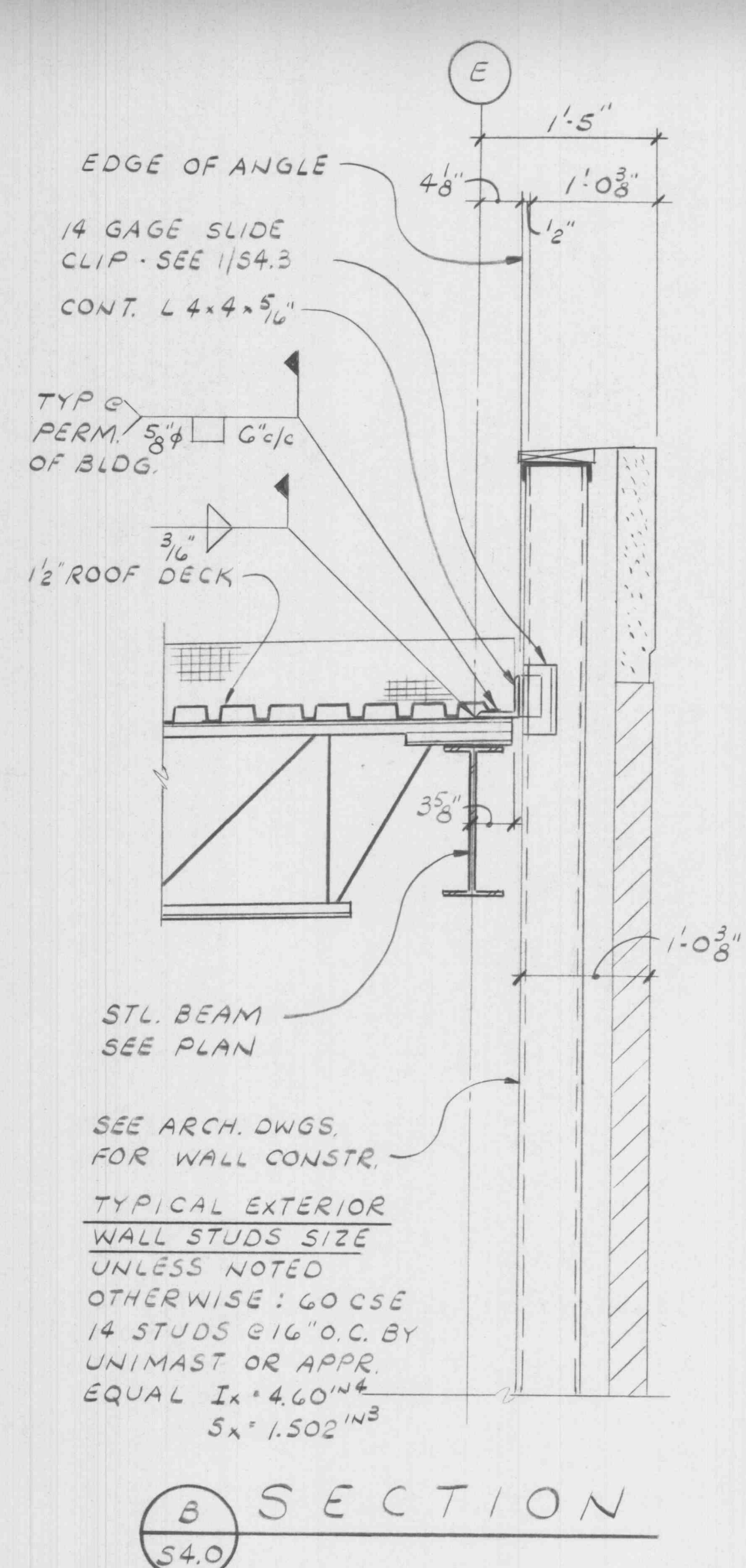
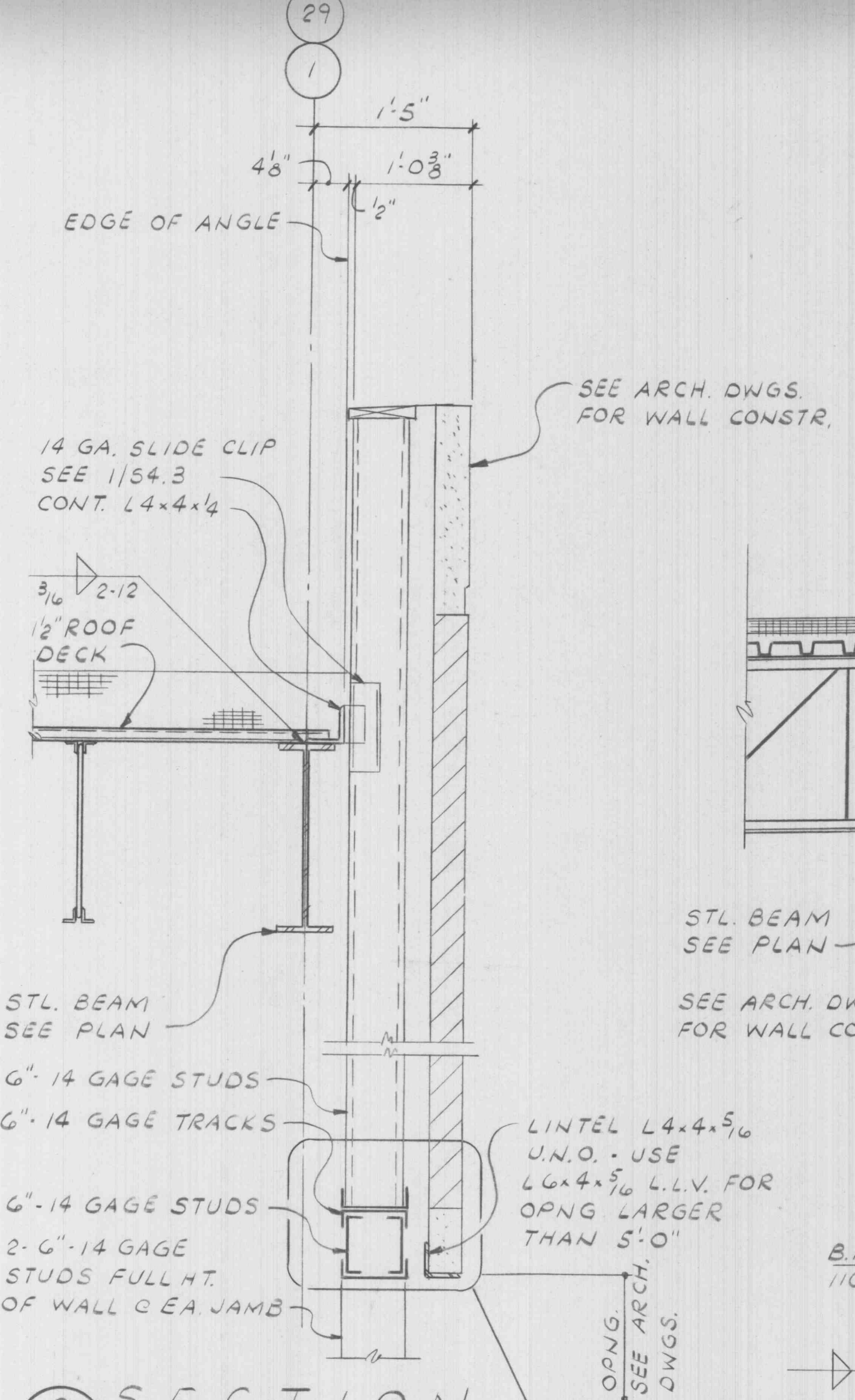


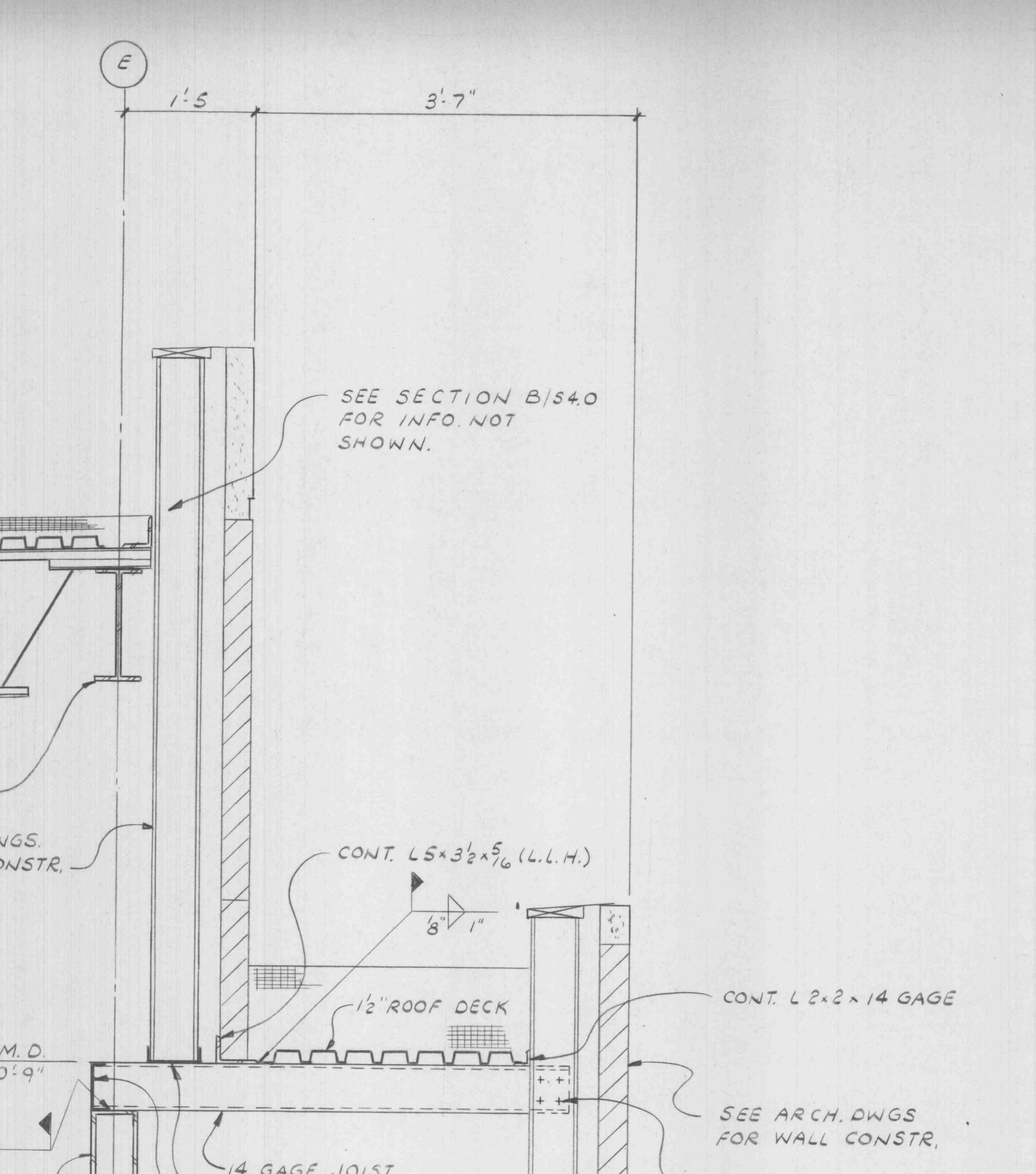
A SECTION
S4.0



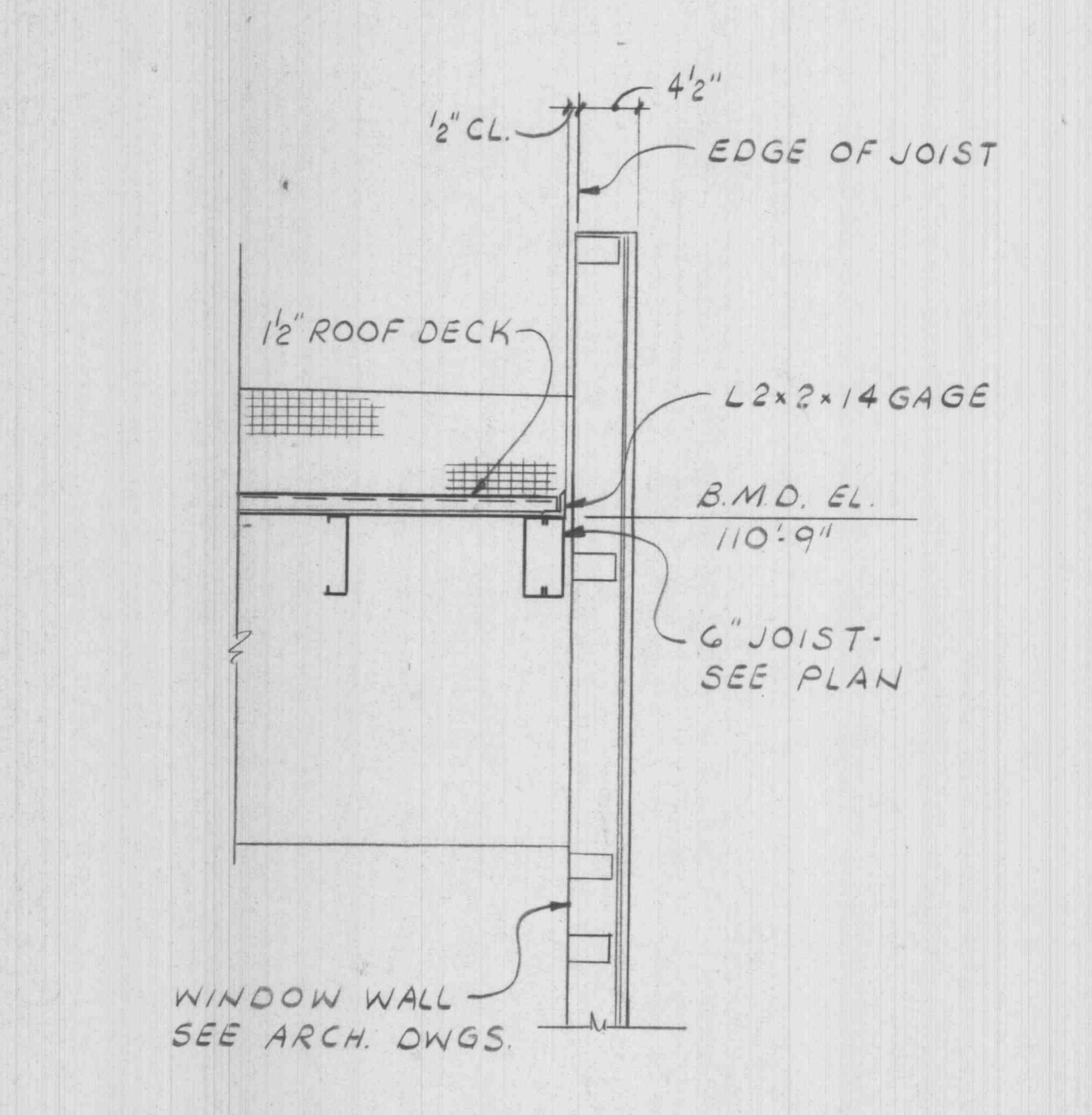
B SECTION
S4.0



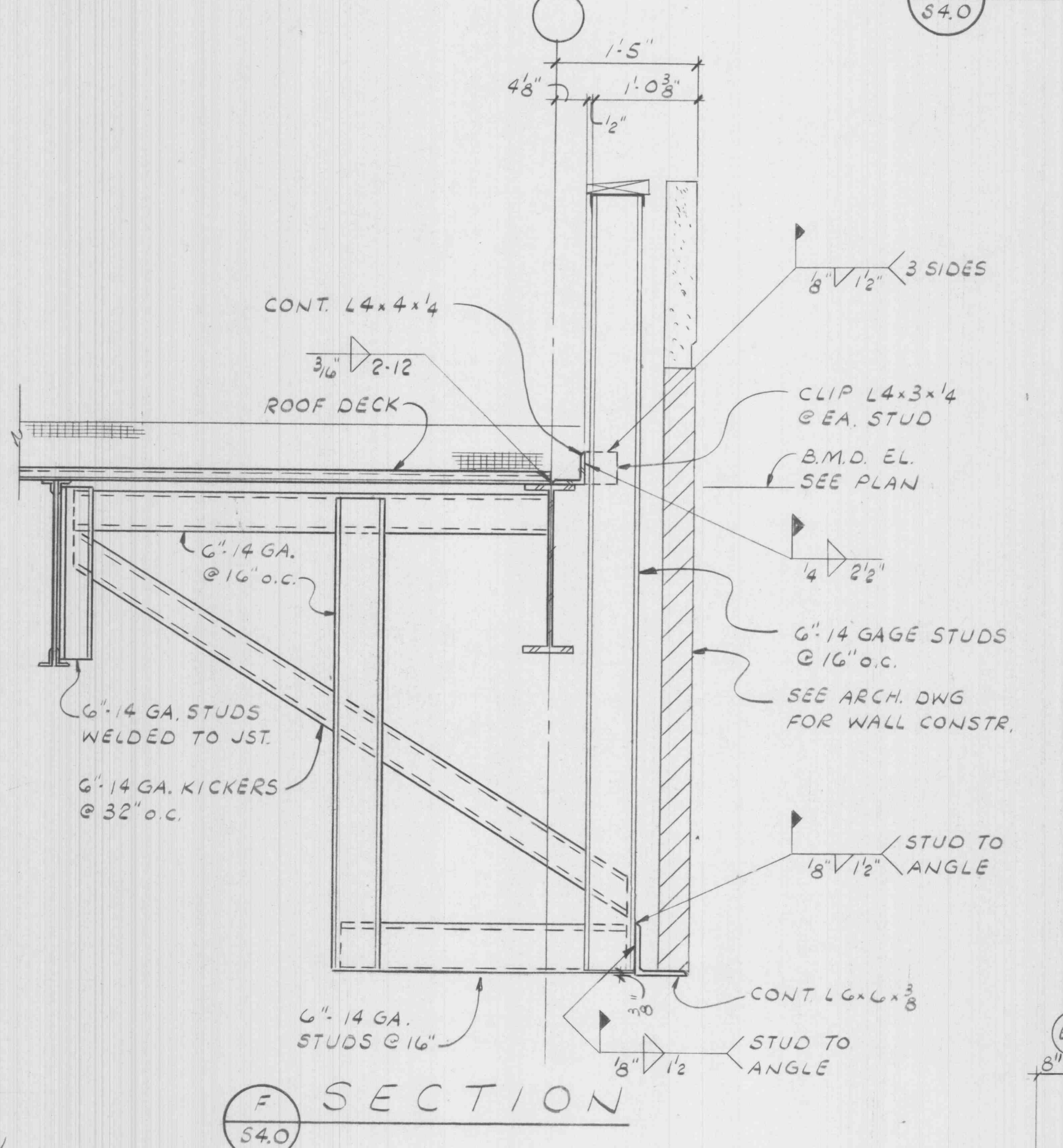
C SECTION
S4.0



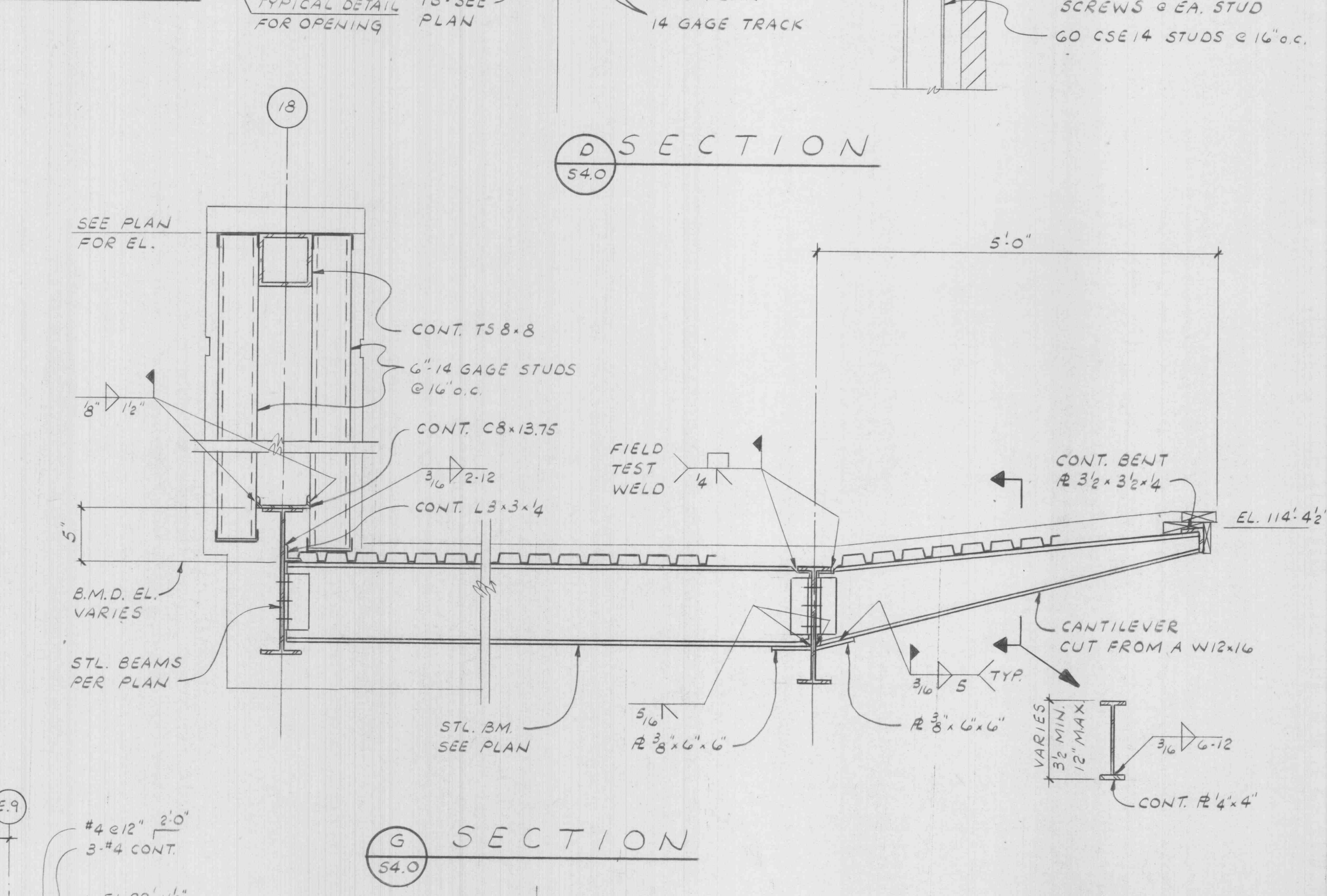
D SECTION
S4.0



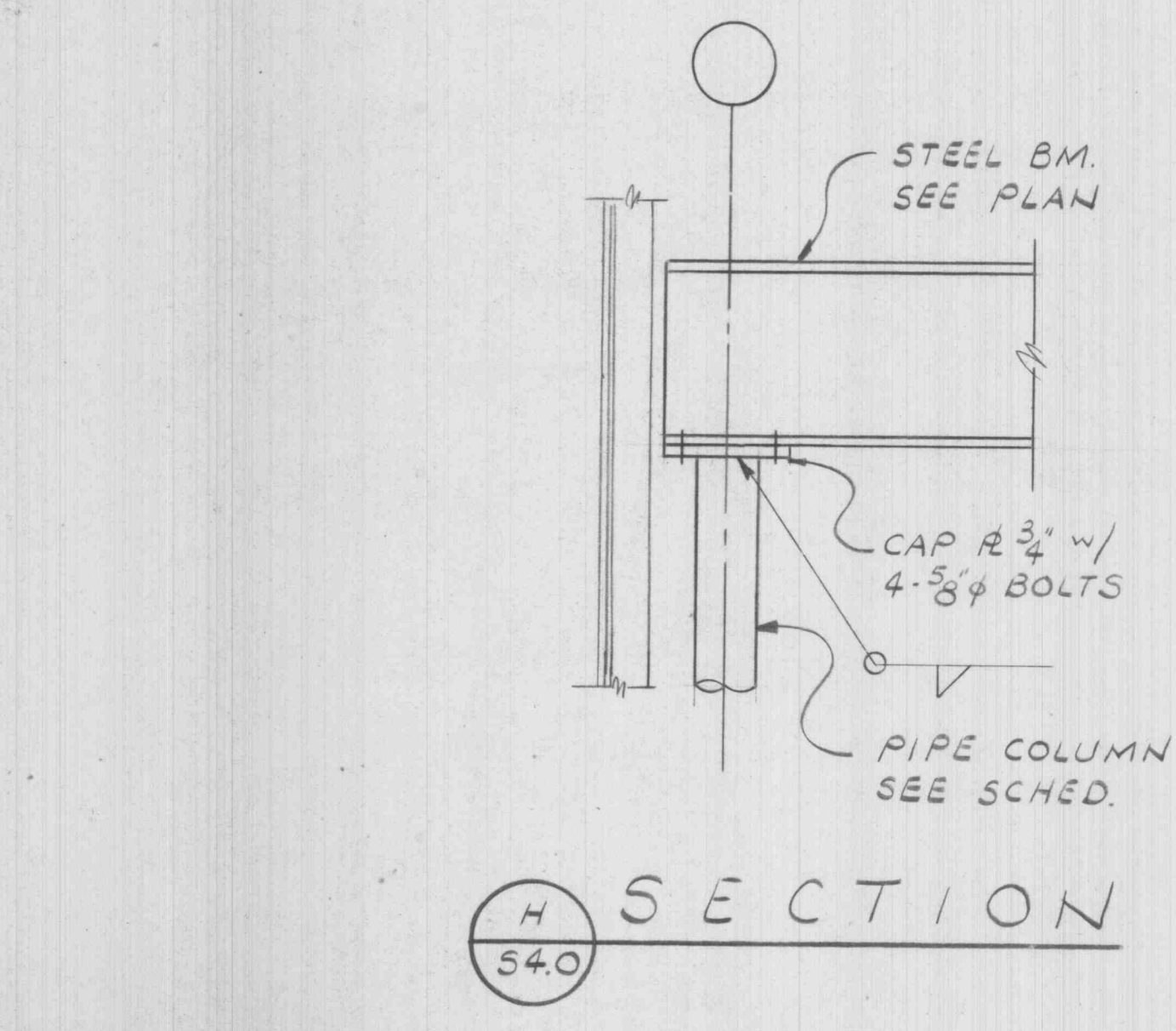
E SECTION
S4.0



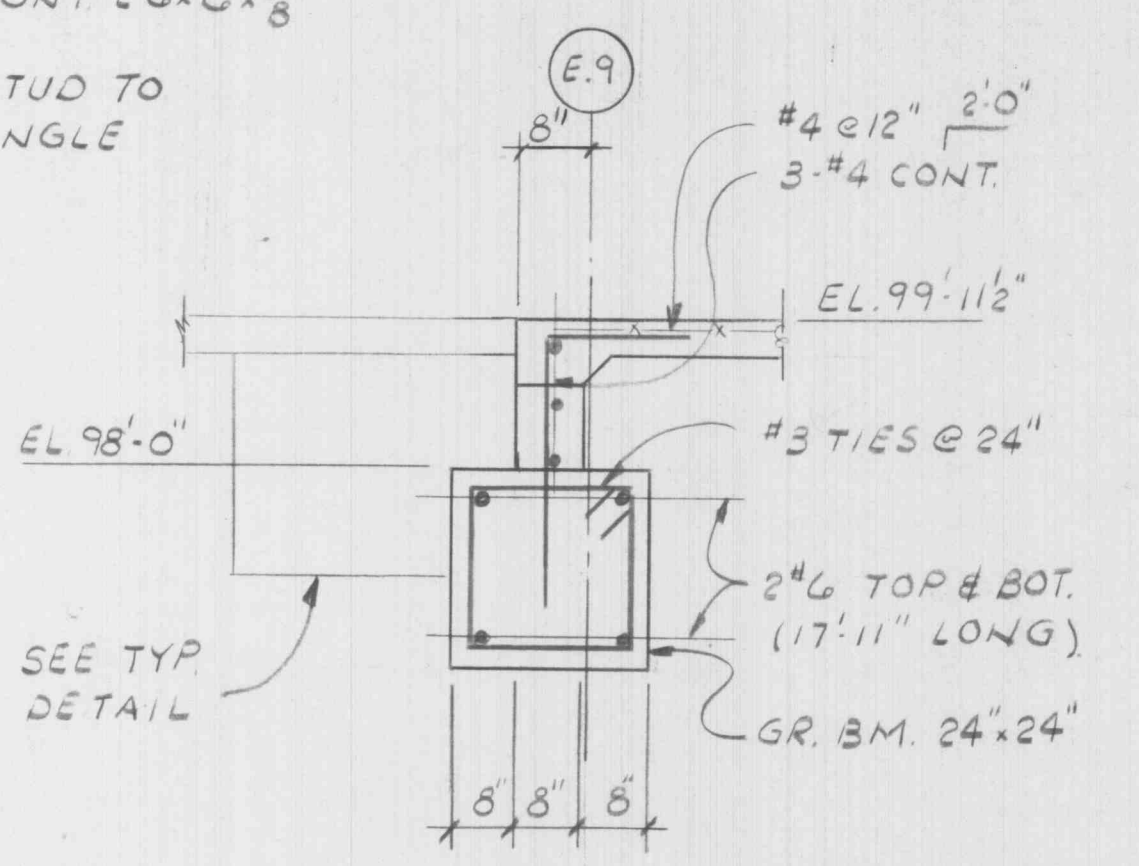
F SECTION
S4.0



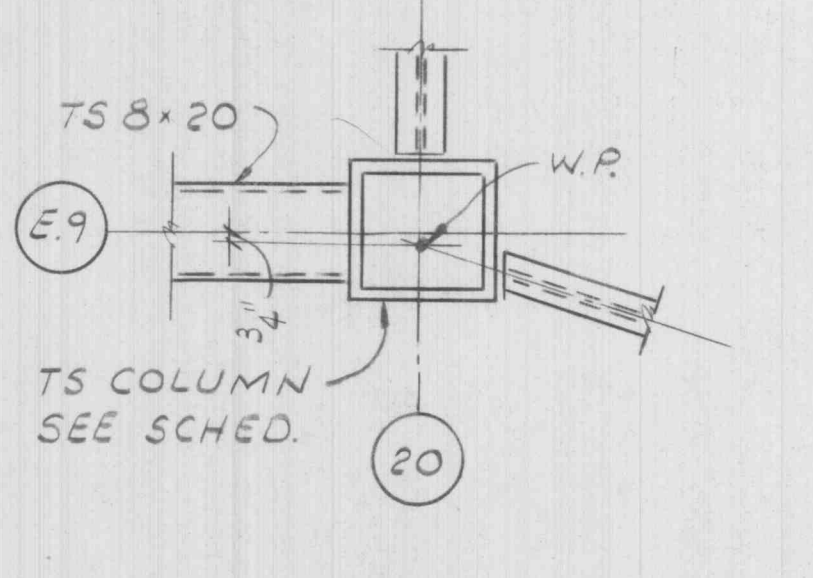
G SECTION
S4.0



H SECTION
S4.0



J SECTION
S4.0



K DETAIL
S4.0

I hereby certify that the portion of this technical submission described below was prepared by me or under my direct supervision and responsible charge. I am a duly registered architect under the laws of the state of Missouri.

Name: _____
 Signature: _____
 Date: _____

Wischmeyer
 THE WISCHMEYER ARCHITECTS
 St. Louis, Missouri
 Springfield, Missouri
 Fayetteville, Arkansas

Architecture
 Planning
 Interiors
 Consulting

5221 Locust Street
 Saint Louis, Missouri 63103
 314.531.4704 Telephone
 314.531.4531 Fax

Client: _____

BJC HEALTH SYSTEM

Project:
BJC - O'Fallon Family Health Center

O'Fallon, Missouri

Revisions
 STRUCTURAL STEEL DETAILS

Prj # _____
 Date: 11-14-97
 Sheet Contents

Sheet No.
S4.0
 The Wischmeyer Architects, Inc. 1997(c)