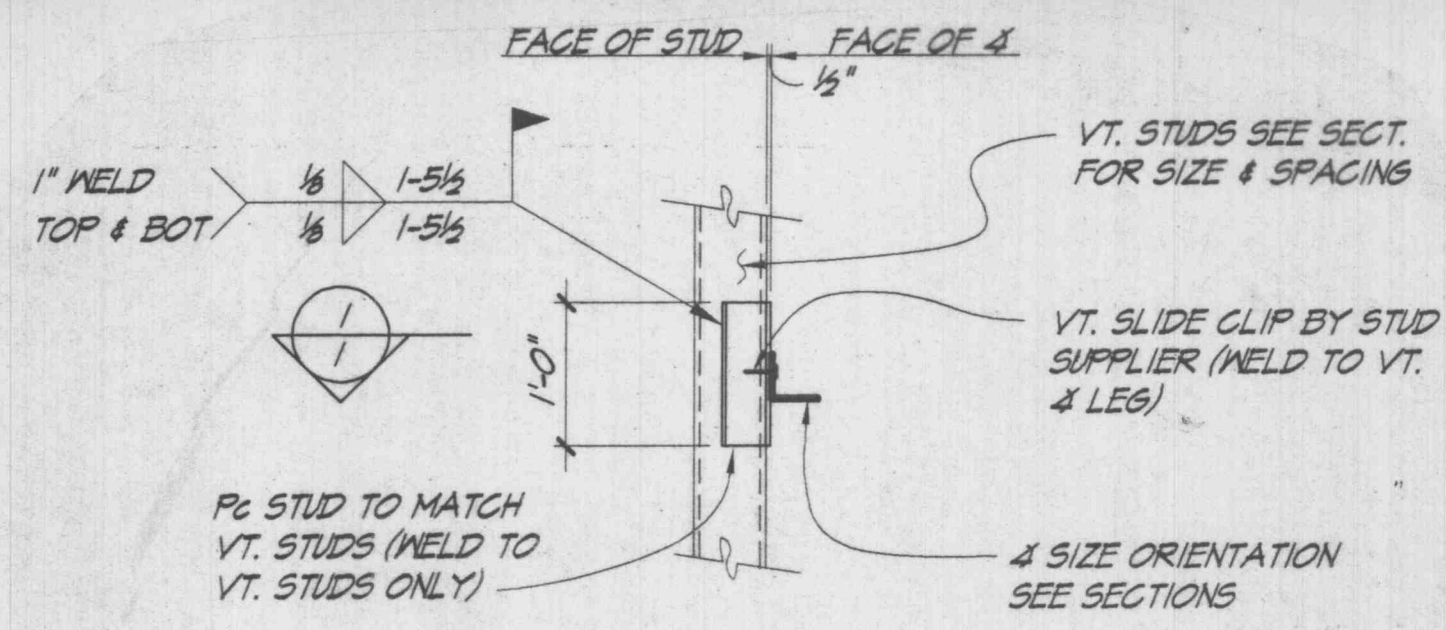
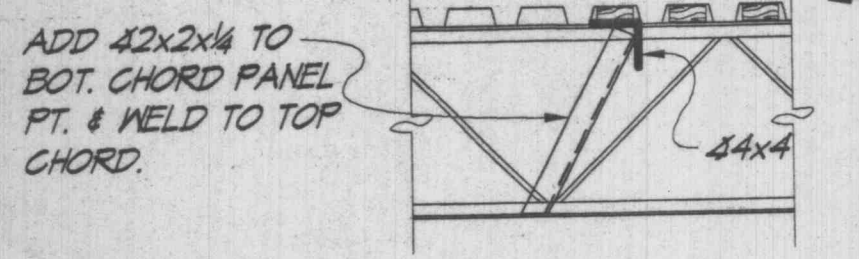
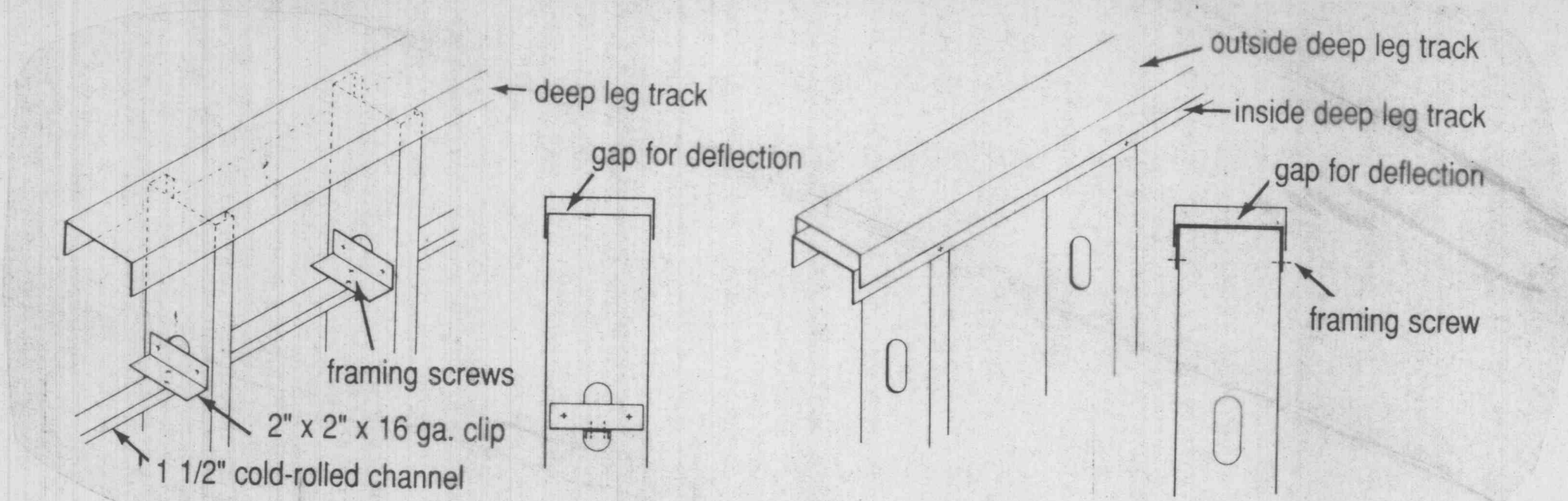
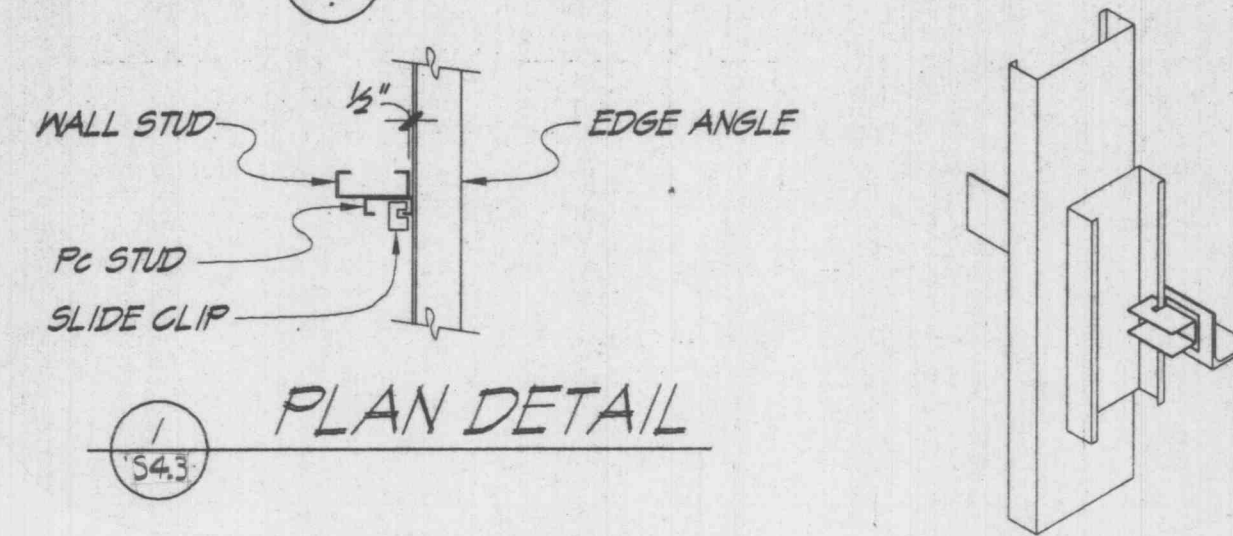


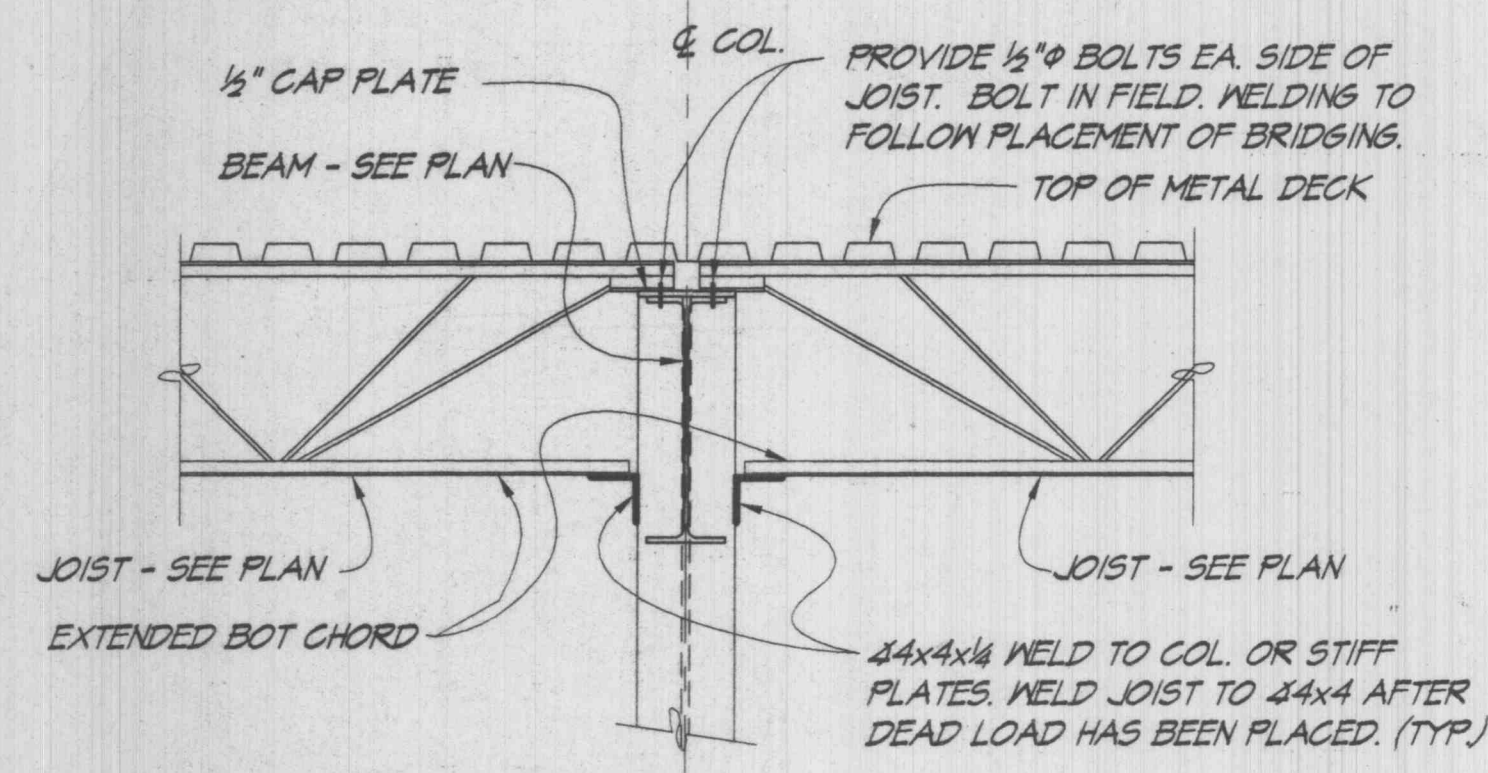
TYPICAL DETAIL @ ROOF TOP UNITS
NOTE: WHEN 24x4 CURB SUPPORT DOES NOT FALL
@ TOP CHORD PANEL PT. SEE DETAIL



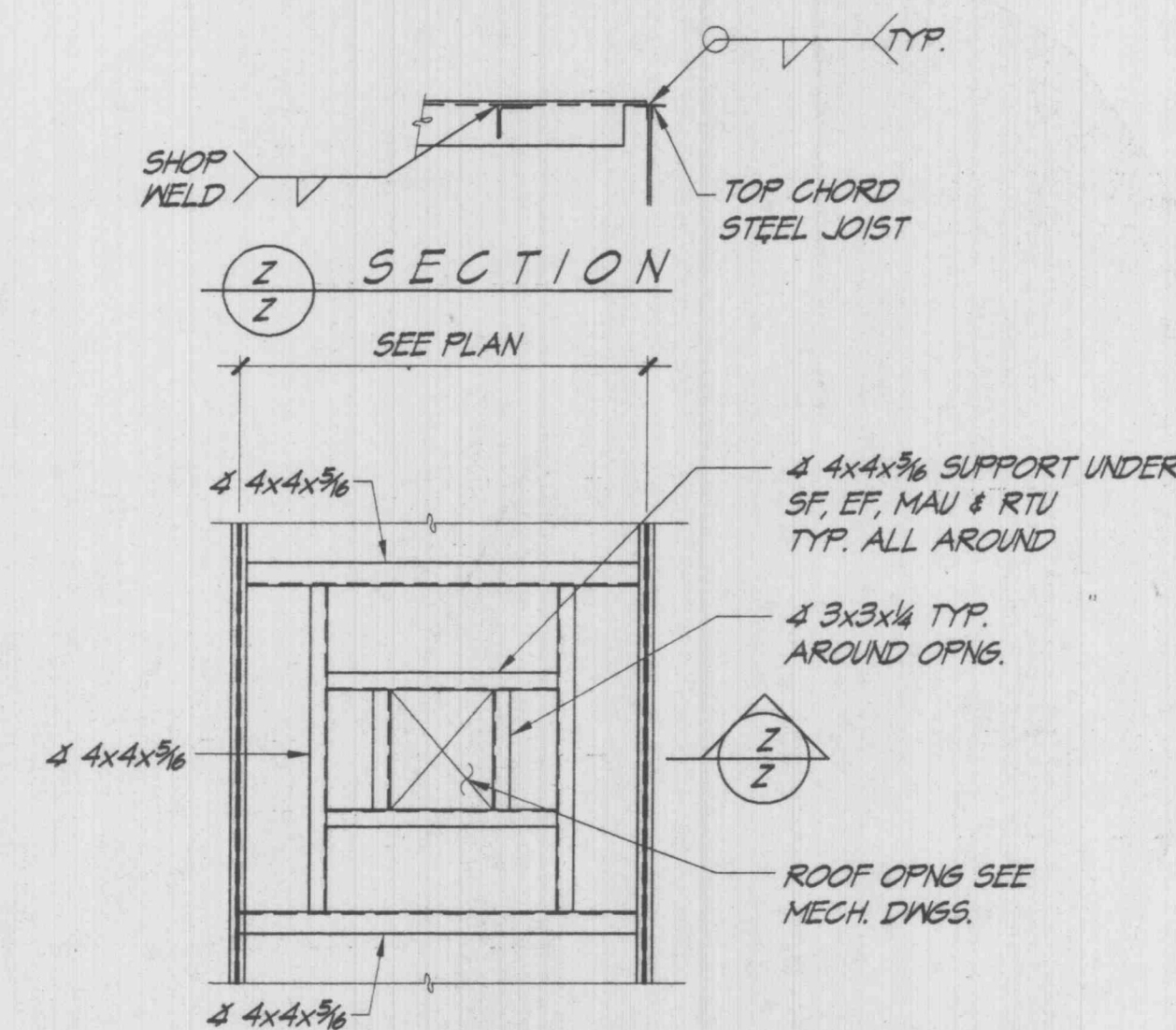
TYP. VT. SLIDE CLIP DETAIL



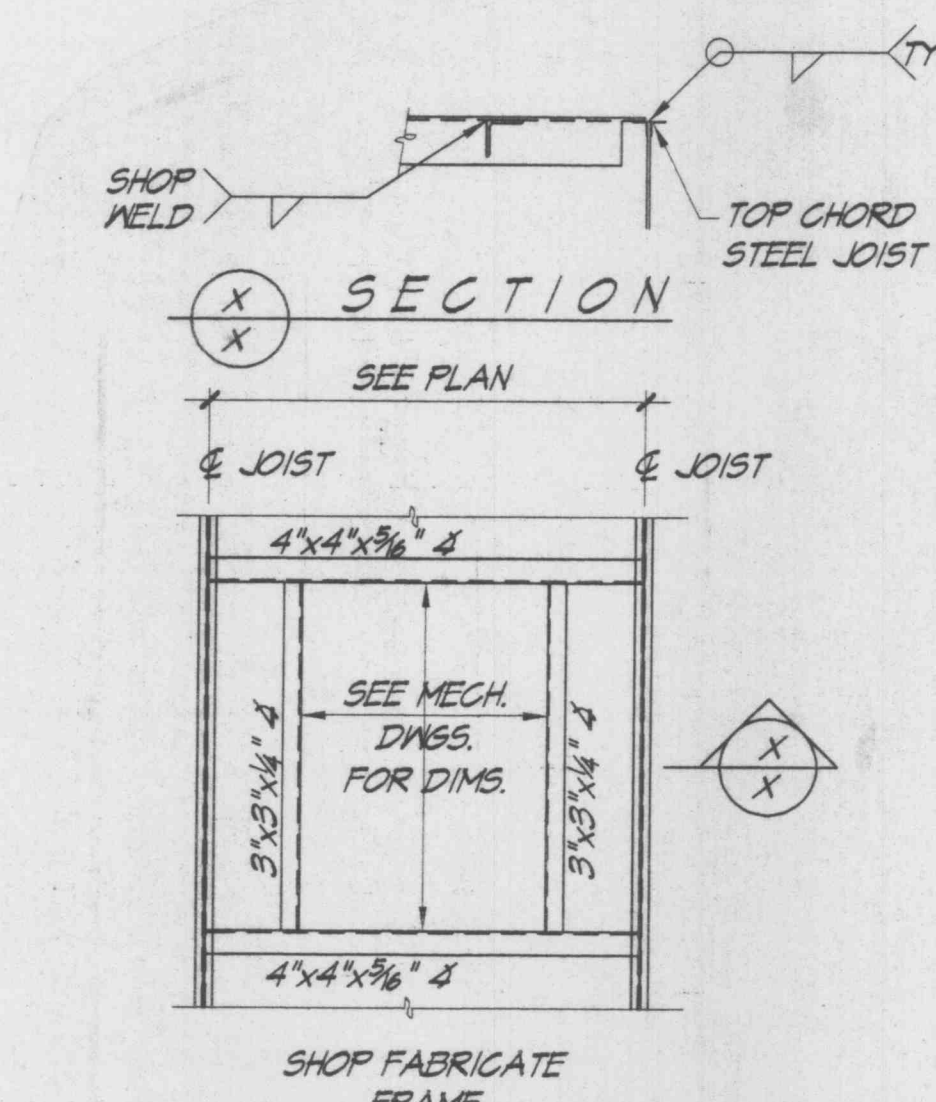
TYP. SLIP TRACK DETAILS



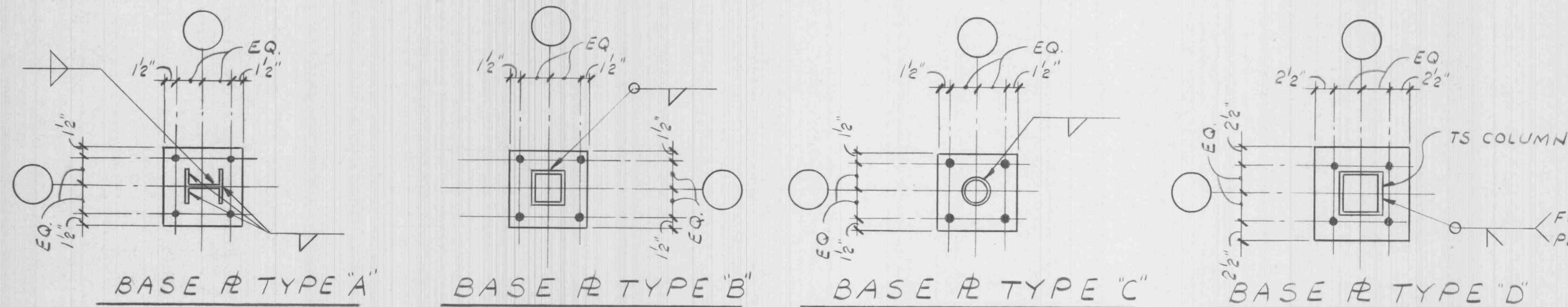
STRUT END JOIST DETAIL @ ROOF



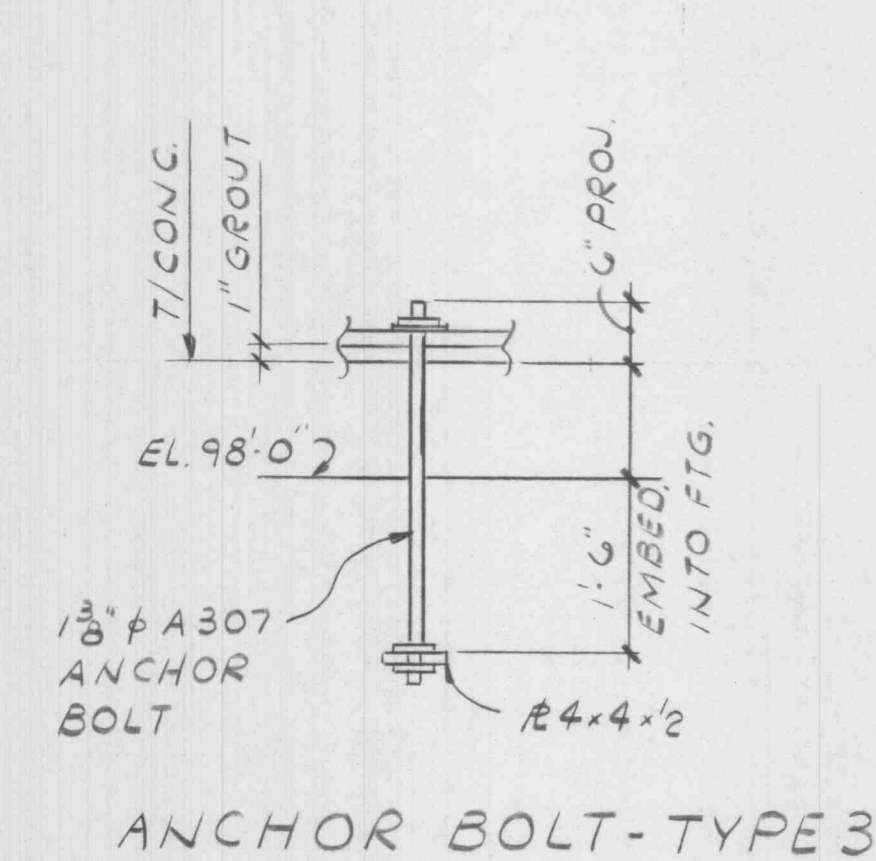
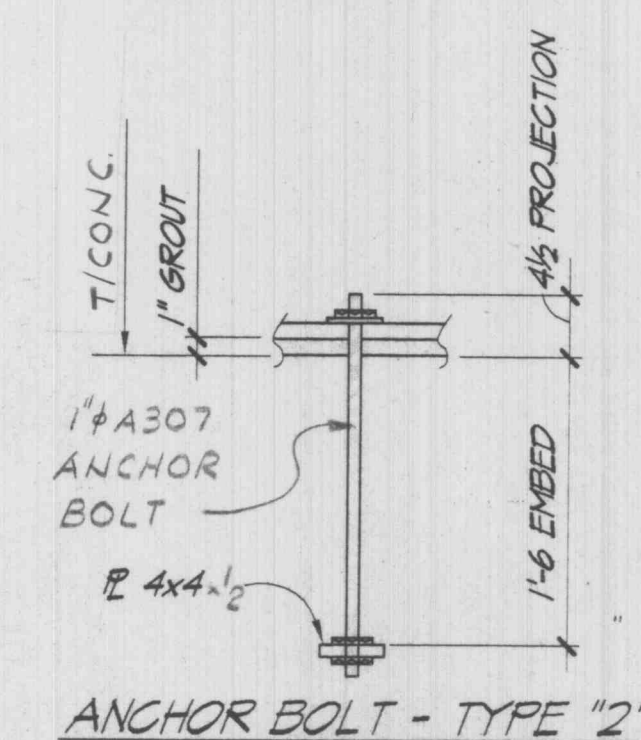
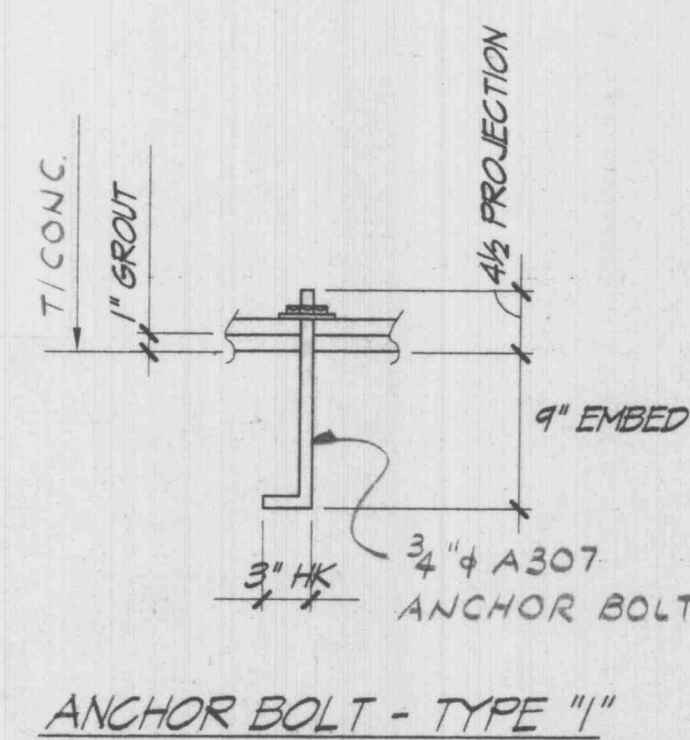
TYPICAL SUPPORT FRAME
FOR MECH. EQUIPMENT



DETAIL OF ROOF VENT FRAMING
FRAMING FOR OTHER MECH. ROOF FRAMING
OPENINGS & SCUTTLES SIMILAR.



COLUMN SCHEDULE										
COLUMN GRID	A-17, A-22, A-23	E-1, E-29	B-1, C-1, C-13, D-13, C-29, D-29	E-22, E-25	E-2, E-5, E-7, E-10, E-12, E-15	F-28, G-23, H-26	E-9, 18	E-9, 20	E-18, J-18, K-18	J-16, J-20, J-21
LEVEL	D-19, D-24, D-27, B-1-3, B-22, B-25, B-29		B-1-11, B-1-14							
ROOF										
FLOOR	WB 8x24	WB 8x24 @ E1 WB 8x31 @ E29	WB 8x24	WB 8x31	TS 6x6x5/8	4" PIPE	TS 8x8x5/8	TS 8x8x5/8	TS 8x8x5/8 @ E18 & J18 TS 8x8x5/8 @ K18	TS 8x8x5/8
BASE PLATE	14" x 14" x 1"	14" x 14" x 1"	14" x 14" x 1 1/2"	14" x 14" x 1"	12" x 12" x 1"	10" x 10" x 3/4"	17" x 17" x 1 1/2"	17" x 17" x 1 1/2"	14" x 14" x 1"	14" x 14" x 1"
ANCHOR BOLTS	4-3/4"	4-3/4"	4-1"	4-3/4"	4-1"	4-3/4"	4-1 3/8"	4-1 3/8"	4-3/4"	4-3/4"
A.B. TYPE	1	1	2	1	2	1	3	3	1	1
BASE PLATE TYPE	A	A	A	A	B	C	D	D	B	B
							EMBED AB IN FTG.	EMBED AB IN FTG.		



I hereby certify that the portion of this technical estimation described herein was prepared by me or under my direct supervision and responsible charge. I am a duly registered architect under the laws of the state of Missouri.

Signature _____
Date _____

Wischmeyer
THE WISCHMEYER ARCHITECTS

St. Louis, Missouri
Springfield, Missouri
Fayetteville, Arkansas

Architecture
Planning
Interiors
Consulting

2221 Locust Street
Saint Louis, Missouri 63103
314.524.0704 Telephone
314.521.4531 Fax

Client: _____

BJC HEALTH SYSTEM™

Project:
**BJC - O'Fallon
Family Health
Center**

O'Fallon, Missouri

Revisions
COLUMN SCHEDULE AND MISC DETAILS

Prj # _____
Date: 11-14-97
Sheet Contents