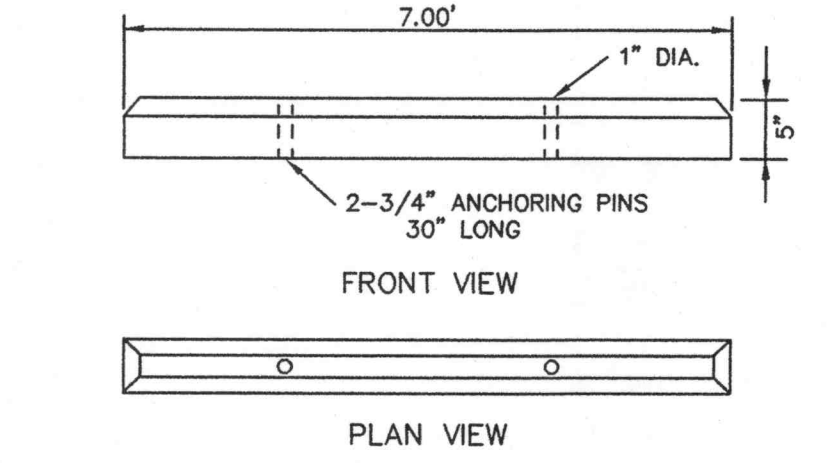
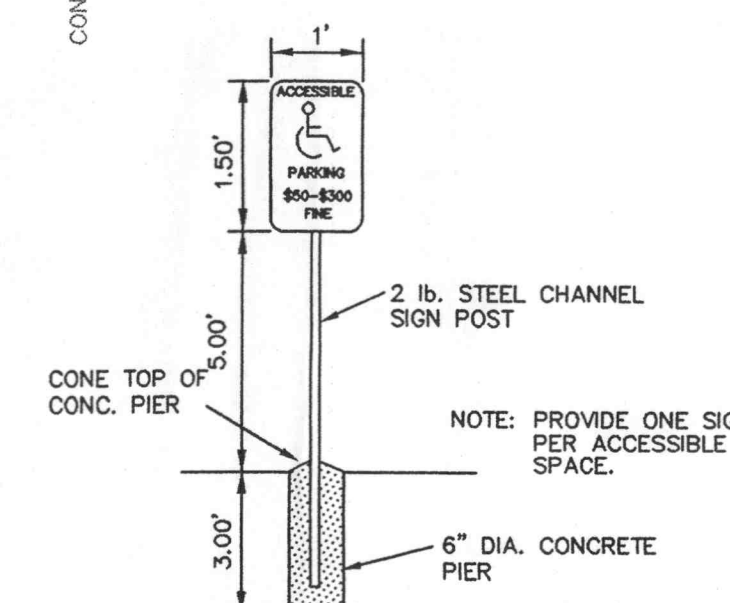
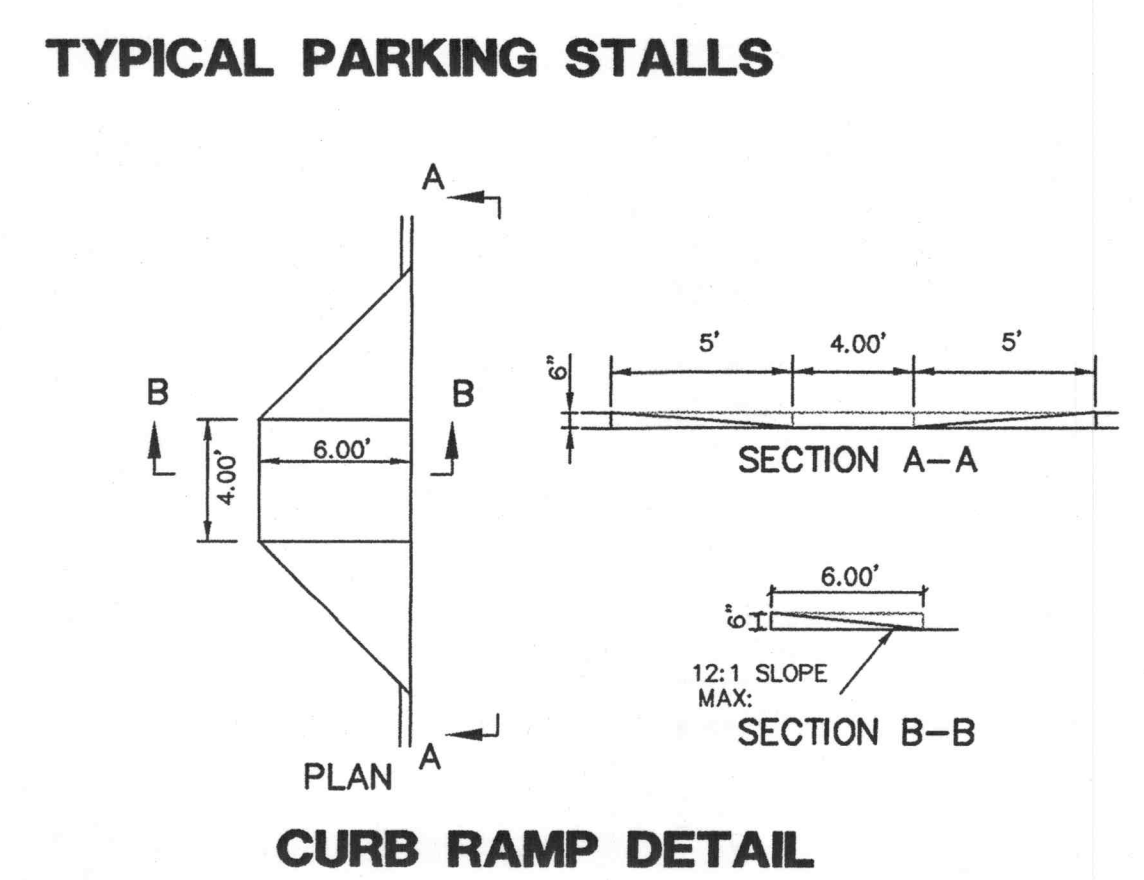
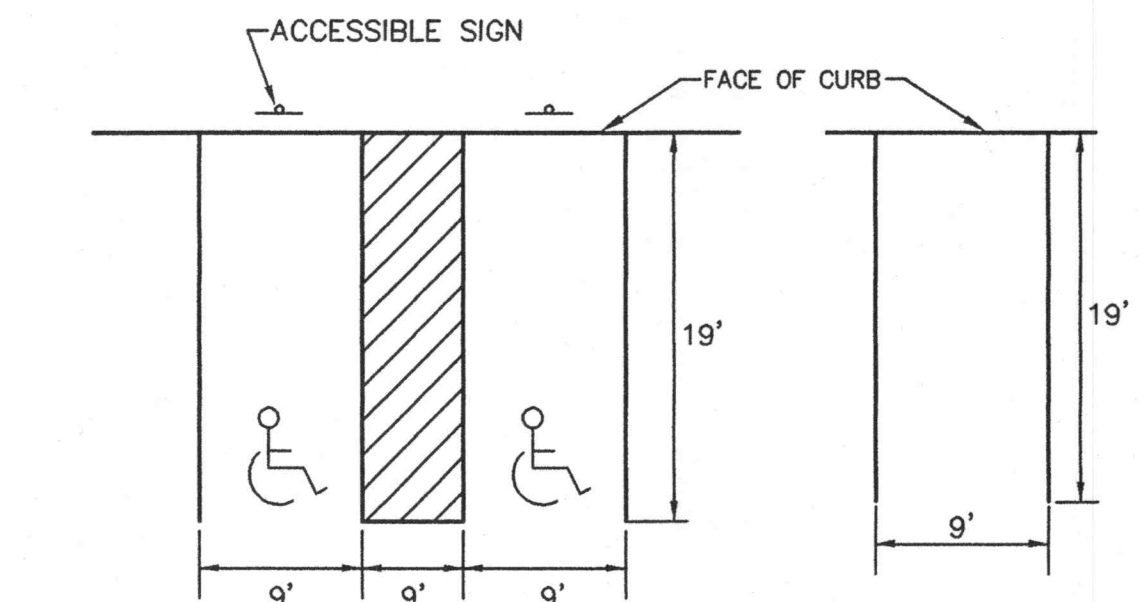
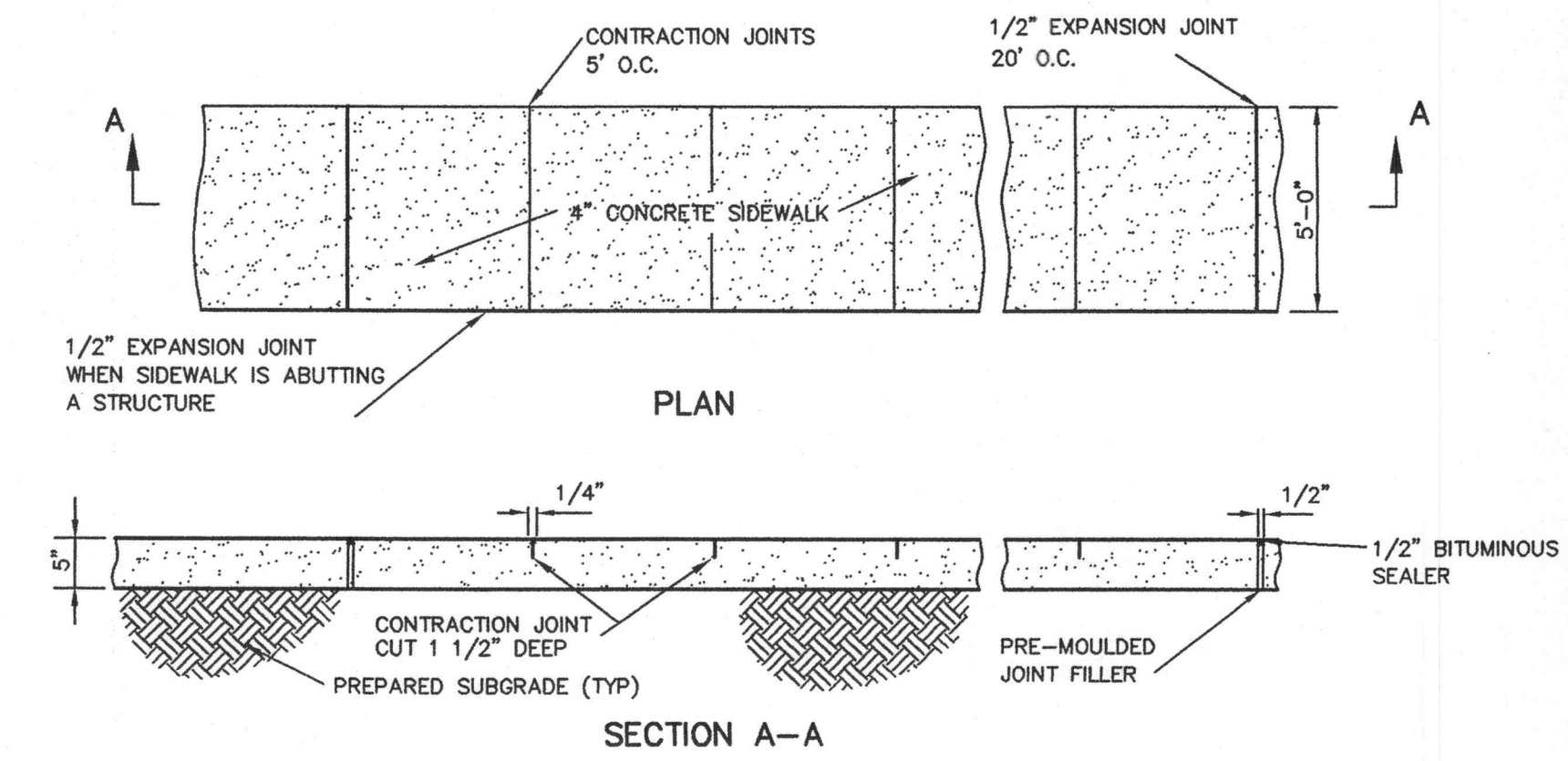
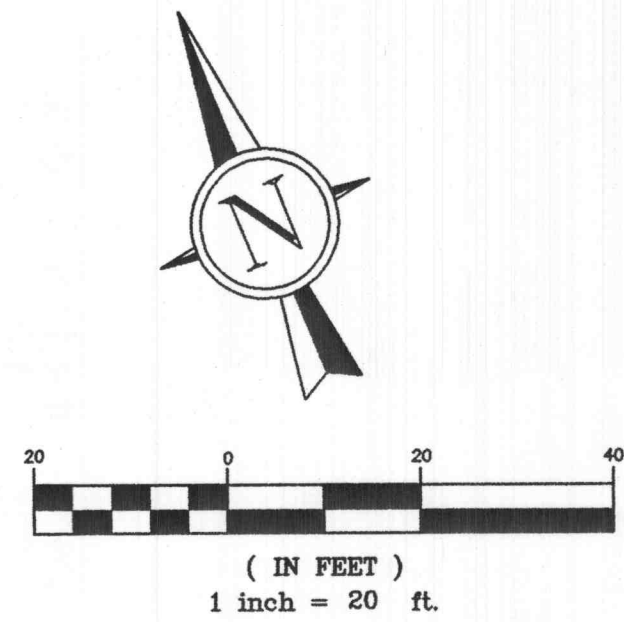


**NOTE: ALL DIMENSIONS ARE TO BACK OF CURB UNLESS NOTED**  
**NOTE: SEE SHEET C5 FOR ADDITIONAL ENTRANCE GEOMETRICS**



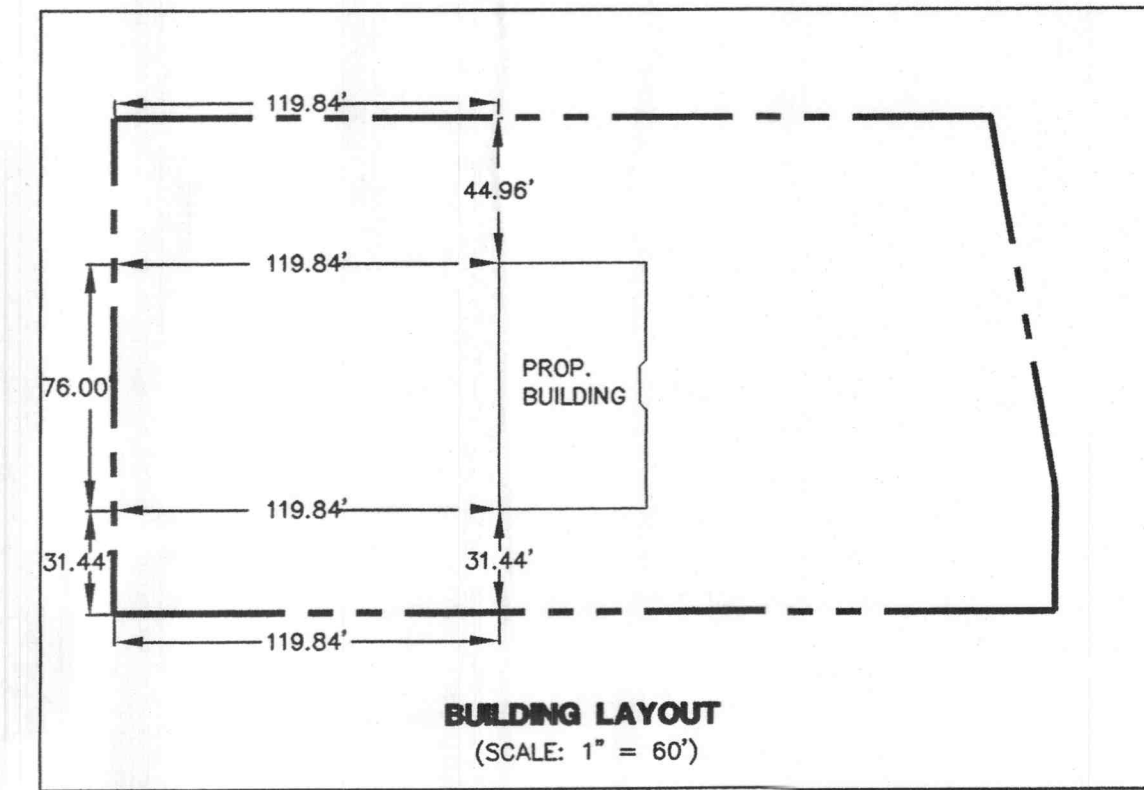
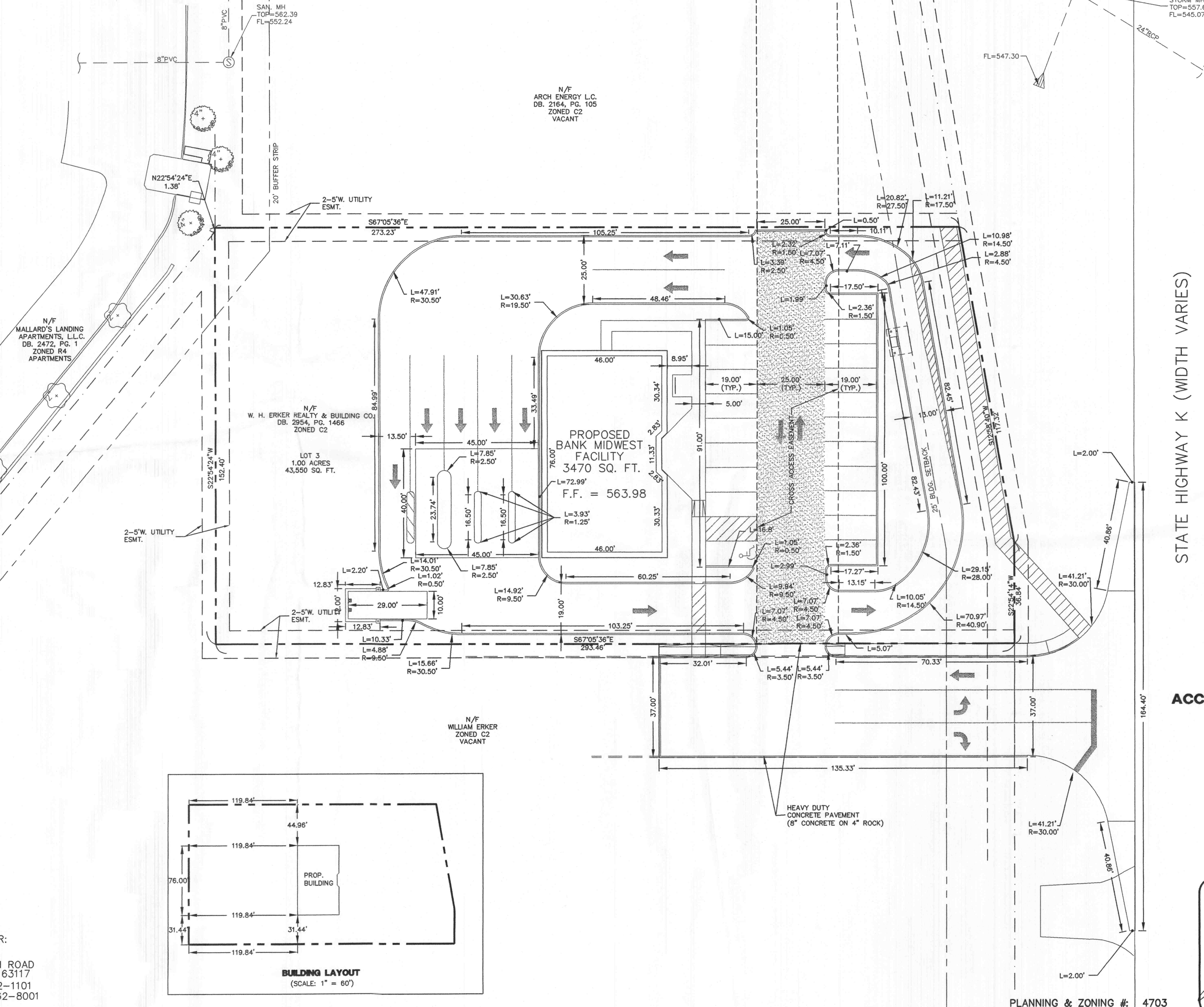
**ACCESSIBLE PARKING SIGN**

**PRE-CAST PARKING BUMPER**

- LIGHT DUTY ASPHALT PAVEMENT  
3" ASPHALT ON 8" ROCK
- HEAVY DUTY ASPHALT PAVEMENT  
3" ASPHALT ON 10" ROCK
- MULTI-USE TRAIL ASPHALT PAVEMENT  
3" ASPHALT ON 4" ROCK

11/20/03 PER CITY COMMENTS

J. R. GRIMES CONSULTING ENGINEERS, INC. AND THE UNDERSIGNED ENGINEER HAVE NO RESPONSIBILITY FOR SERVICES PROVIDED BY OTHERS TO IMPLEMENT THE IMPROVEMENTS SHOWN ON THIS PLAN AND ALL OTHER DRAWINGS WHERE THE UNDERSIGNED ENGINEER'S SEAL APPEARS. THE CONSTRUCTION MEANS AND METHODS ARE THE SOLE RESPONSIBILITY OF THE OWNER AND CONTRACTOR. J. R. GRIMES CONSULTING ENGINEERS, INC. HAS NO RESPONSIBILITY TO VERIFY FINAL IMPROVEMENTS AS SHOWN ON THIS PLAN UNLESS SPECIFICALLY ENGAGED AND AUTHORIZED TO DO SO BY THE OWNER OR CONTRACTOR.



STATE HIGHWAY K (WIDTH VARIES)

PLANNING & ZONING #: 4703

J:\1132\PLANS\03-CED.dwg Thu Nov 20 15:22:53 2003 GREG.G

PREPARED FOR:  
**AEDIS, INC.**  
 6317 CLAYTON ROAD  
 CLAYTON, MO 63117  
 PH: (314) 862-1101  
 FAX: (314) 862-8001

**BANK MIDWEST  
 SITE GEOMETRICS**

LEONARD  
 J. MEERS  
 NUMBER  
 E-28288

**J. R. GRIMES  
 CONSULTING ENGINEERS, INC.**

12300 OLD TESSON ROAD  
 SUITE 3000  
 ST. LOUIS, MO. 63128  
 PH. (314) 849-6100  
 FAX (314) 849-6010  
 E-MAIL jrgeng@nlink.com

DRAWN BY: GJG	DATE: 10/28/03	CHECKED BY: LJM	DATE: 10/28/03	JOB NUMBER: 1132	SHEET: C3
---------------	----------------	-----------------	----------------	------------------	-----------