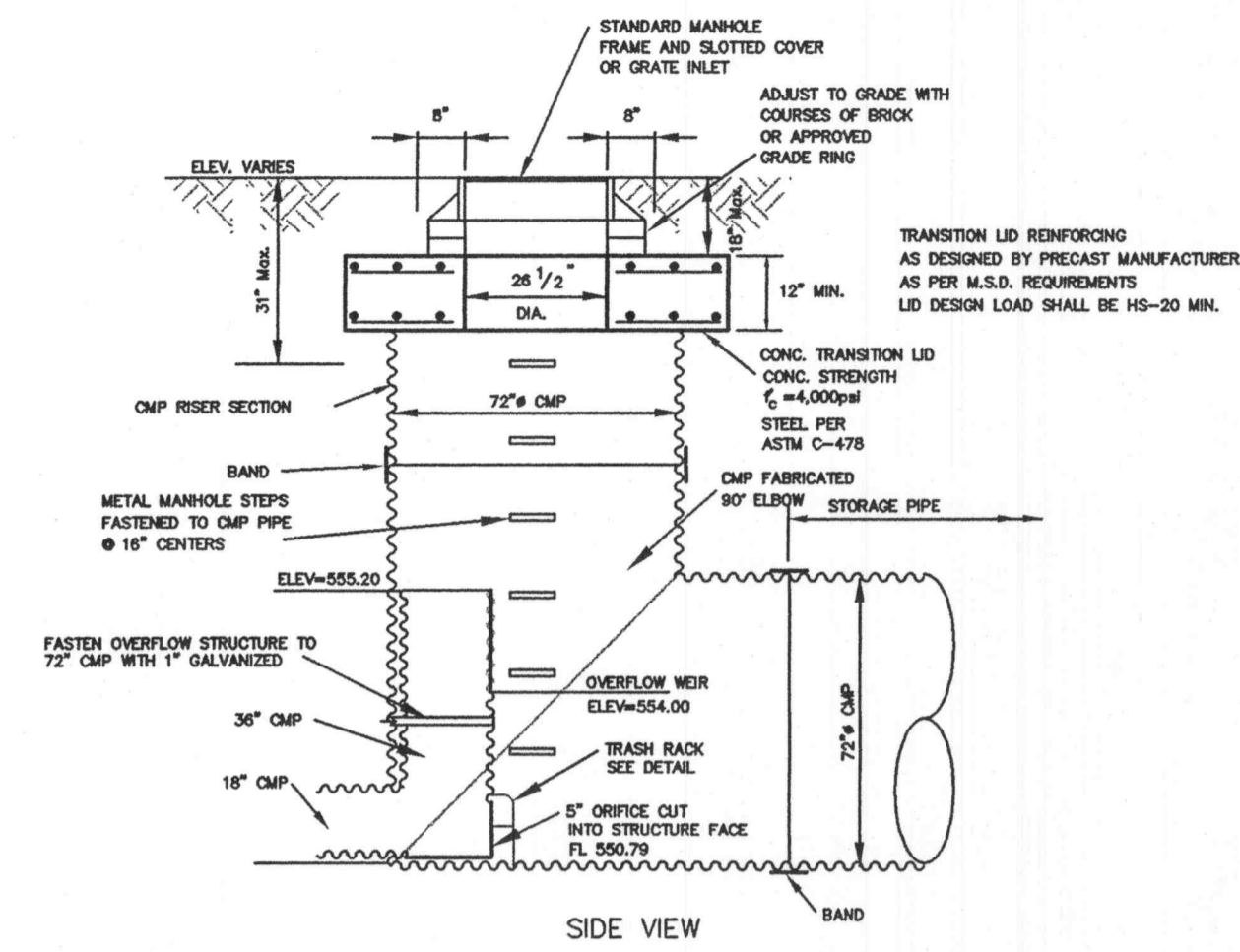
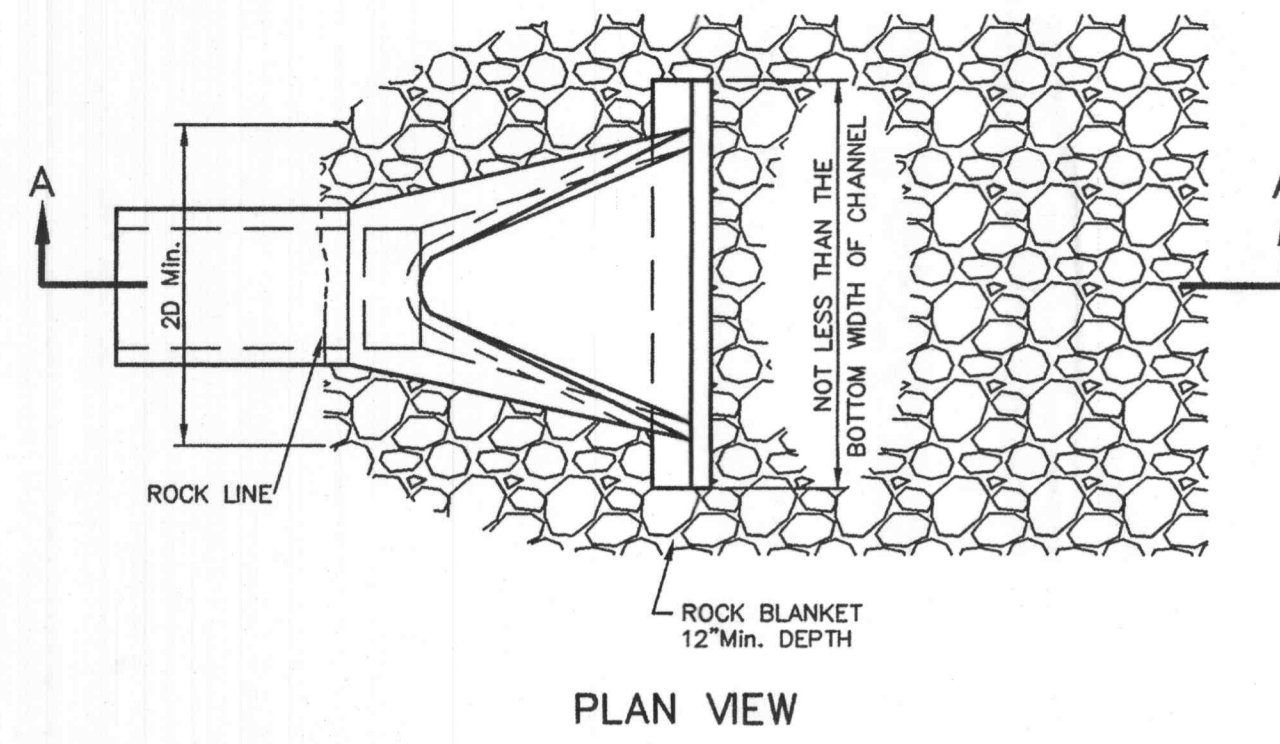


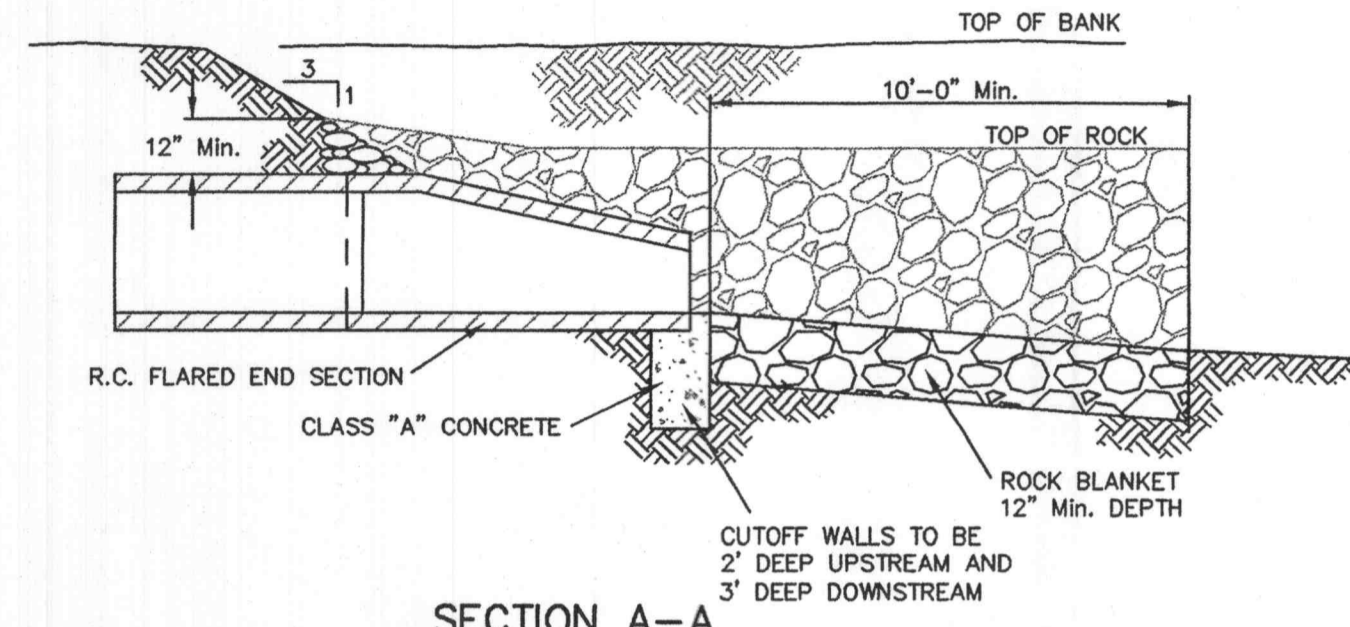
DETENTION STRUCTURE DETAIL



DETENTION STORAGE PIPE OVERFLOW STRUCTURE

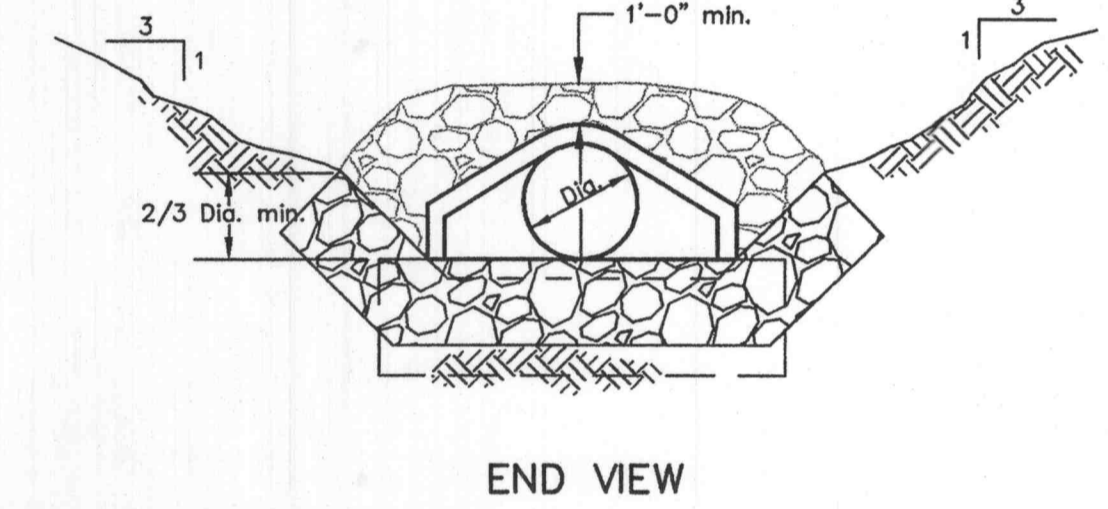


PLAN VIEW



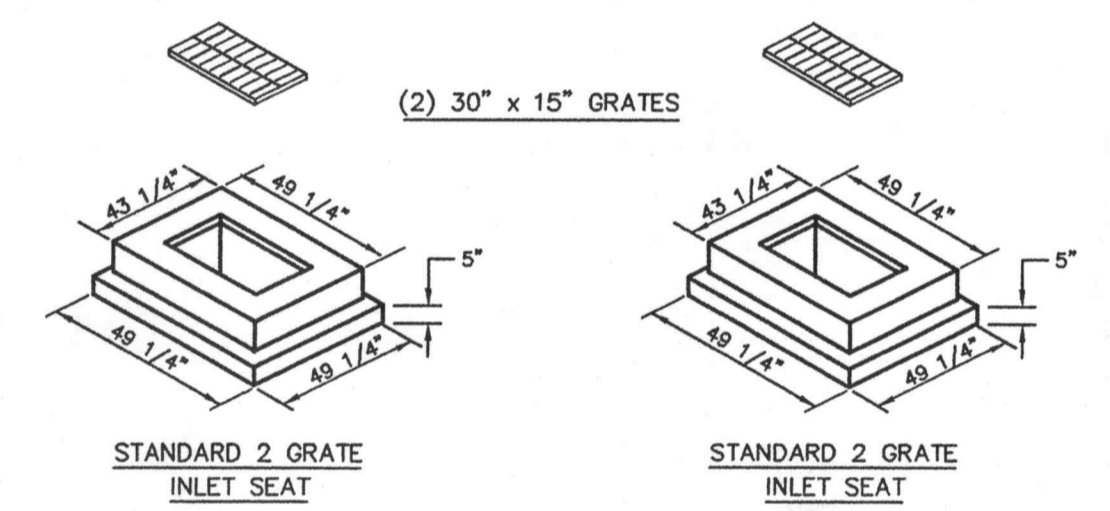
SECTION A-A

- NOTES:**
1. TO BE USED AT INTAKE AND DISCHARGE END OF PIPE, GRADE OF ROCK BLANKET TO BE ADJUSTED ACCORDINGLY.
 2. ROCK BLANKET IS NOT GROUTED.
 3. CUTOFF WALLS TO BE 2' DEEP UPSTREAM AND 3' DEEP DOWNSTREAM



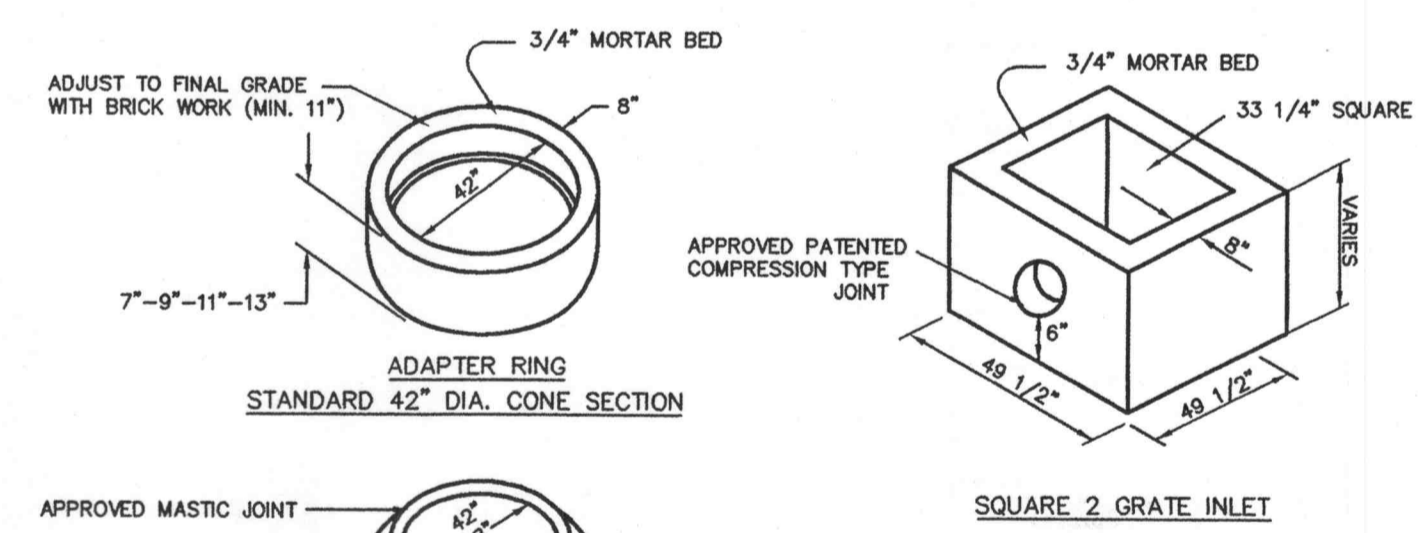
END VIEW

FLARED END SECTION



STANDARD 2 GRATE INLET SEAT

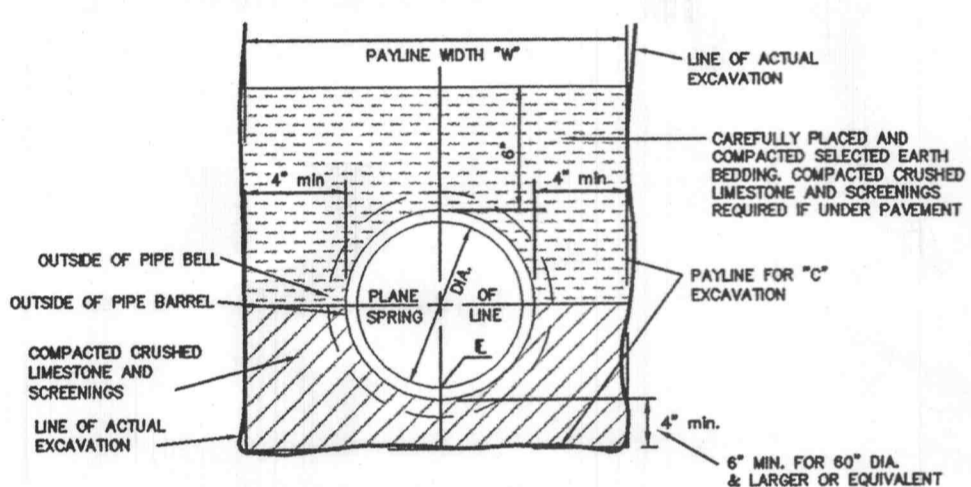
SQUARE 2 GRATE INLET



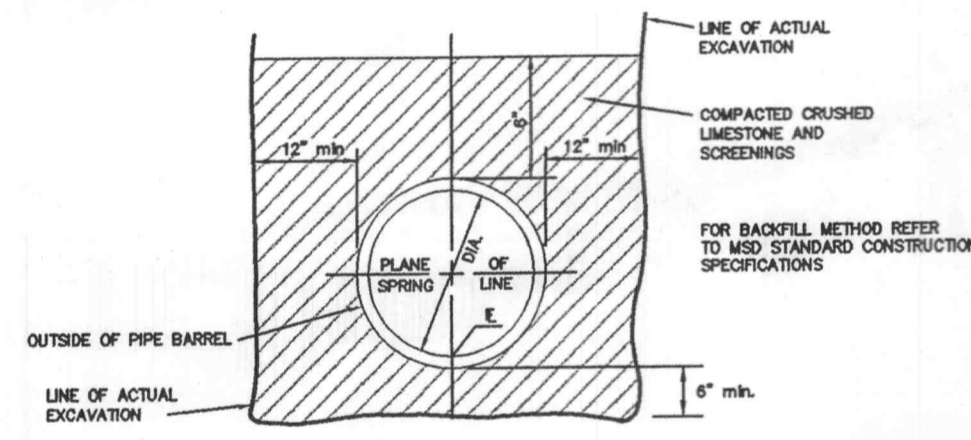
2 GRATE INLETS PRE-CAST CONCRETE

J. R. GRIMES CONSULTING ENGINEERS, INC. AND THE UNDERSIGNED ENGINEER HAVE NO RESPONSIBILITY FOR SERVICES PROVIDED BY OTHERS TO IMPLEMENT THE IMPROVEMENTS SHOWN ON THIS PLAN AND ALL OTHER DRAWINGS WHERE THE UNDERSIGNED ENGINEER'S SEAL APPEARS. THE CONSTRUCTION MEANS AND METHODS ARE THE SOLE RESPONSIBILITY OF THE OWNER AND CONTRACTOR. J. R. GRIMES CONSULTING ENGINEERS, INC. HAS NO RESPONSIBILITY TO VERIFY FINAL IMPROVEMENTS AS SHOWN ON THIS PLAN UNLESS SPECIFICALLY ENGAGED AND AUTHORIZED TO DO SO BY THE OWNER OR CONTRACTOR.

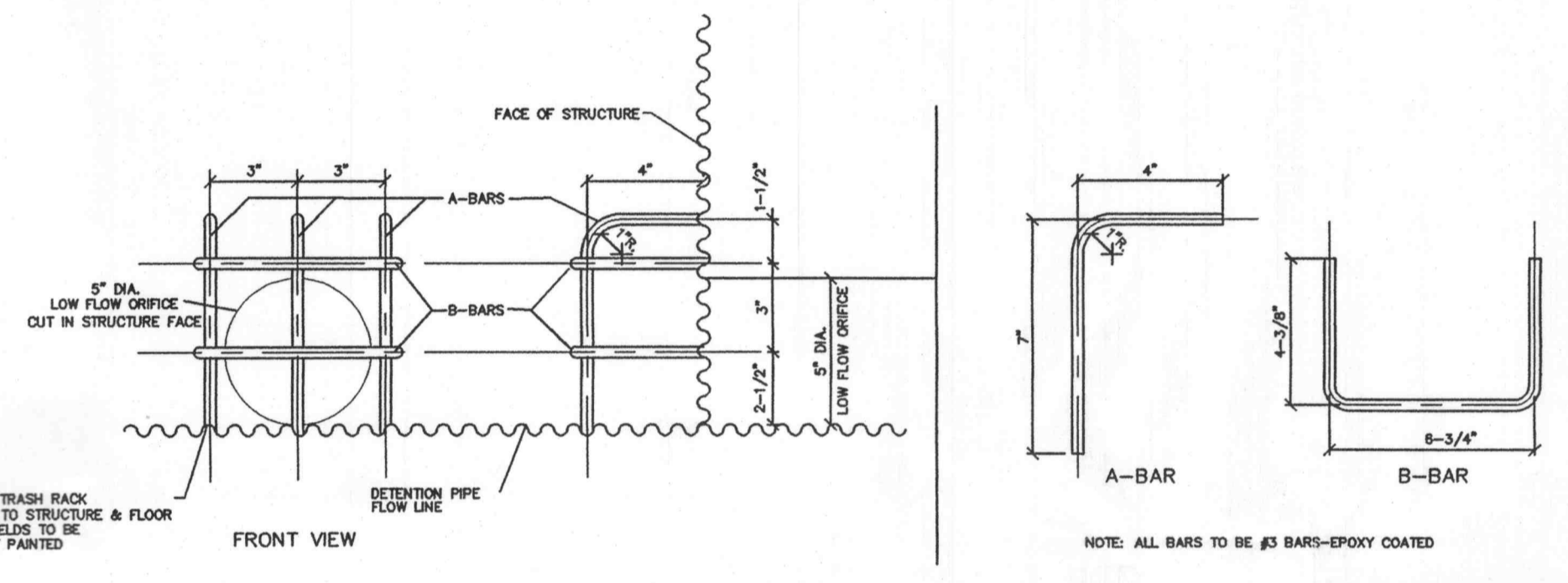
11/20/03 PER CITY COMMENTS
 PLANNING & ZONING #: 4703



PIPE BEDDING CLASS "C" MODIFIED FOR REINFORCED CONCRETE PIPE

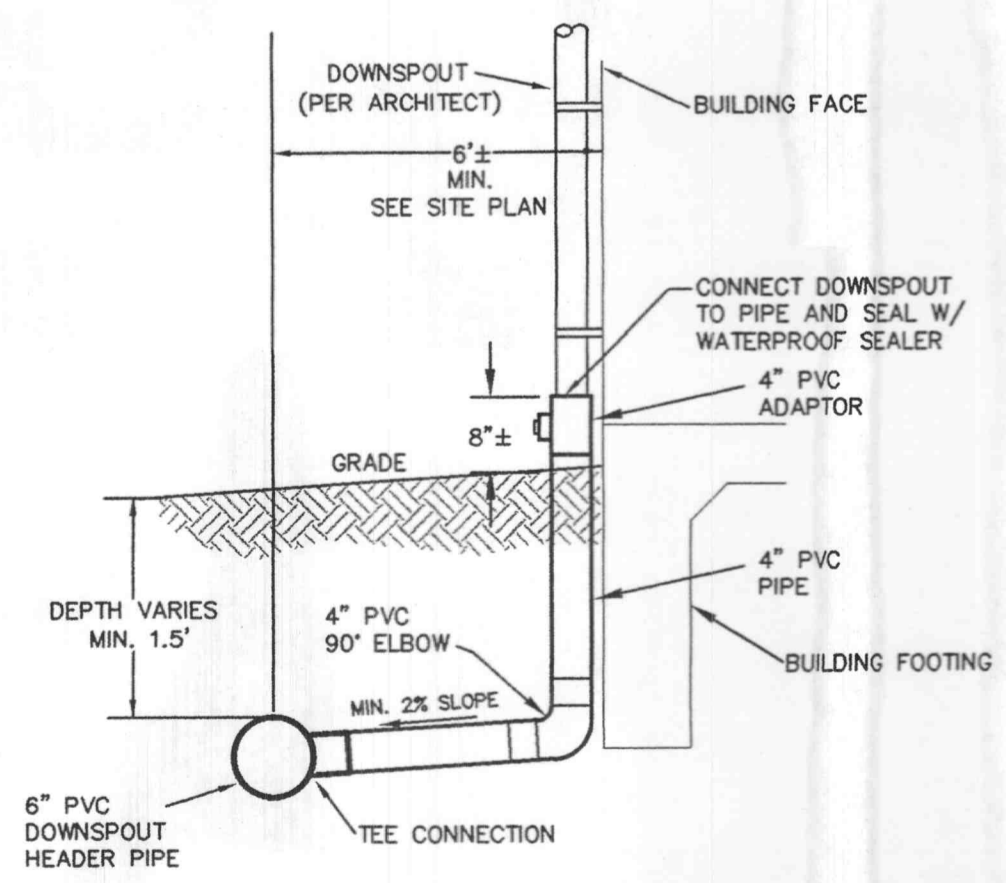


PIPE BEDDING CLASS "C" MODIFIED FOR CORRUGATED METAL PIPE

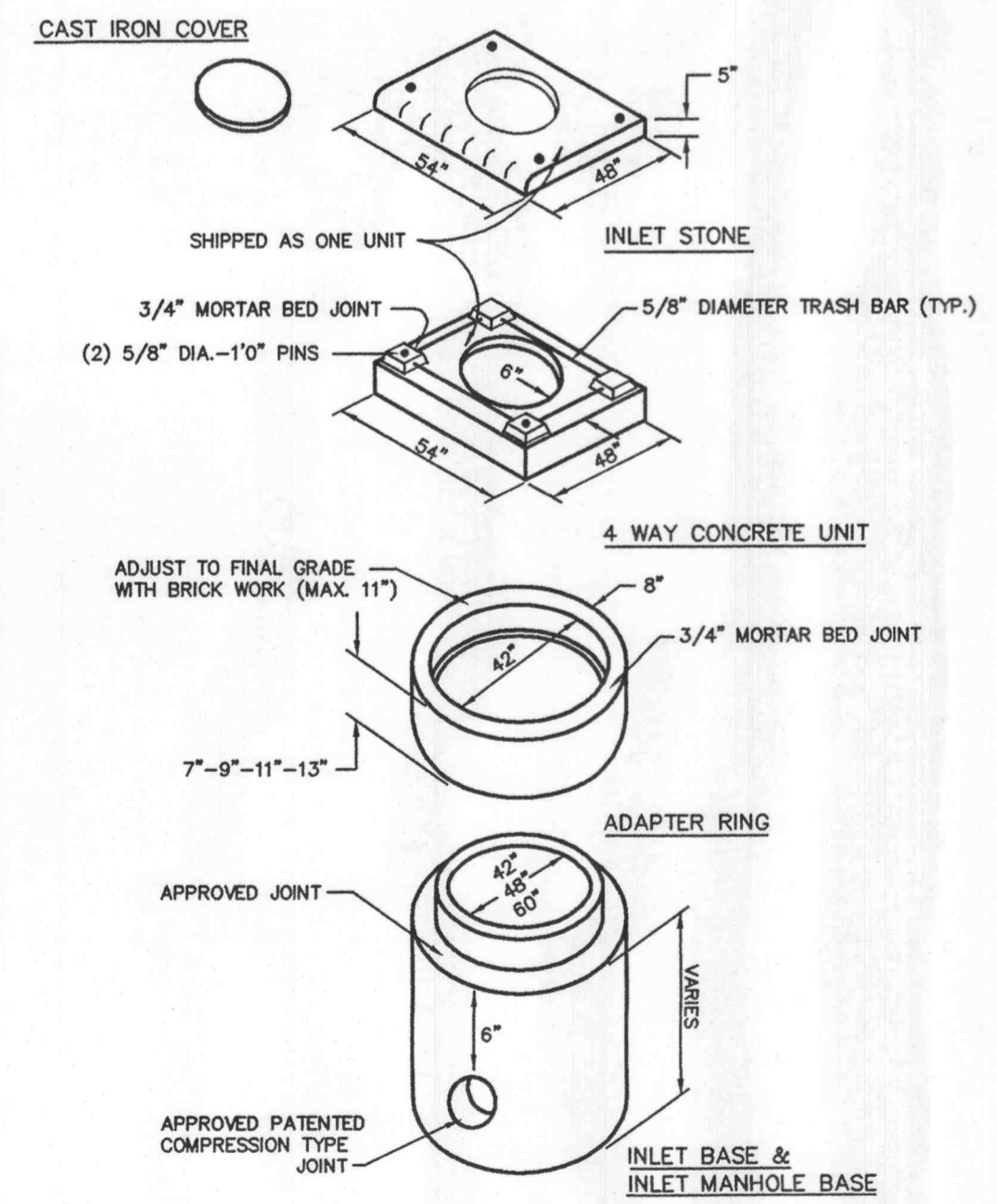


TRASH RACK DETAIL

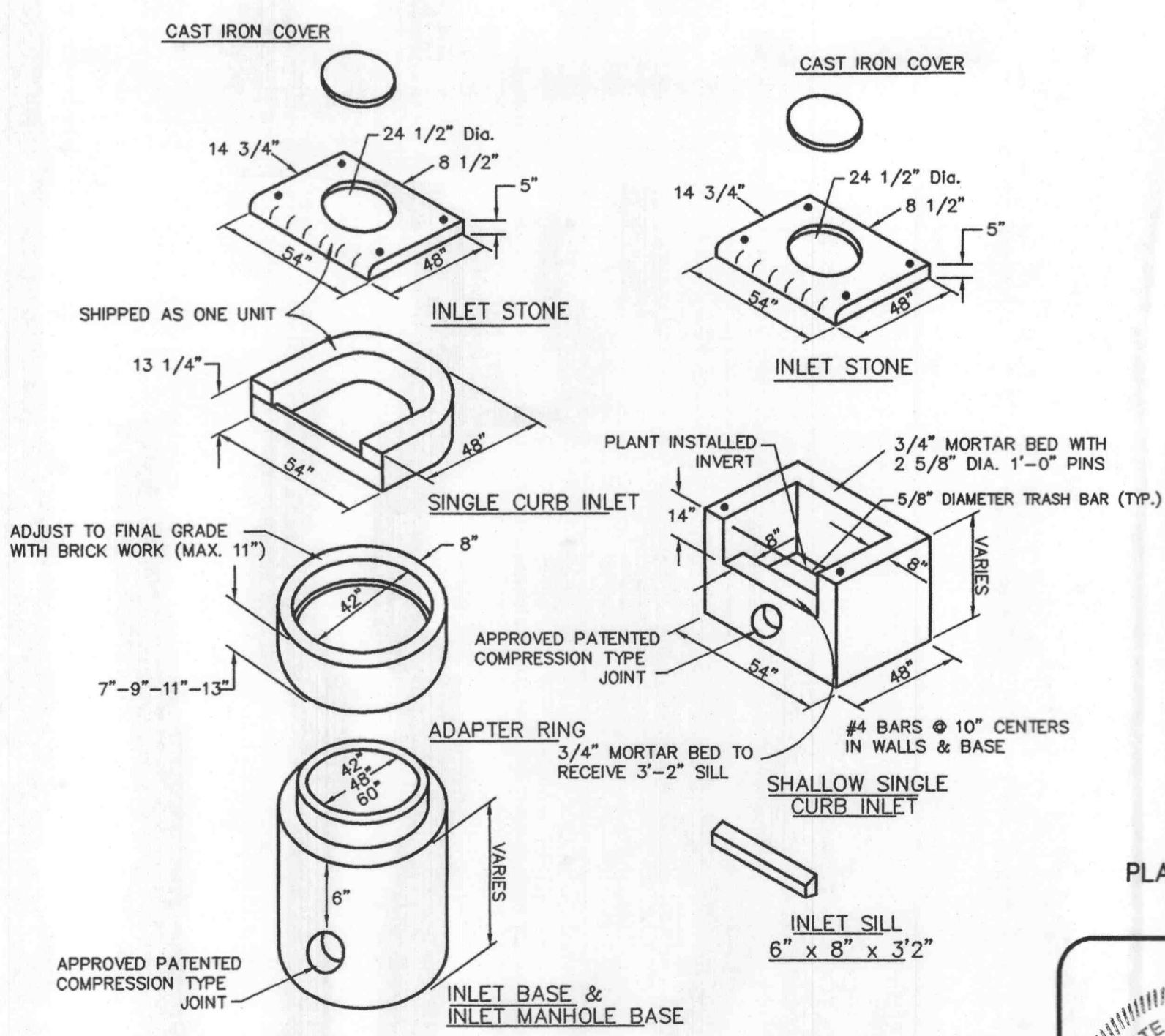
NOTE: ALL JOINTS TO BE GASKETED O-RING TYPE



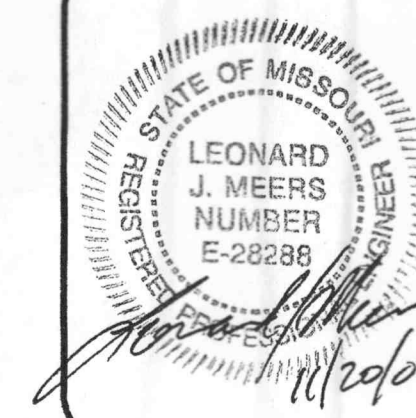
DOWNSPOUT CONNECTION



AREA INLET PRECAST CONCRETE



SINGLE STREET INLET PRECAST CONCRETE



BANK MIDWEST		STORM DETAILS	
J. R. GRIMES CONSULTING ENGINEERS, INC.			
12300 OLD TESSON ROAD SUITE 3000 ST. LOUIS, MO. 63128 PH. (314) 848-6100 FAX (314) 849-6010 E-MAIL: jrgeng@link.com	DRWN BY: GJG	DATE: 10/28/03	CHECKED BY: LJM
DATE: 10/28/03	DATE: 10/28/03	JOB NUMBER: 1132	SHEET: C8