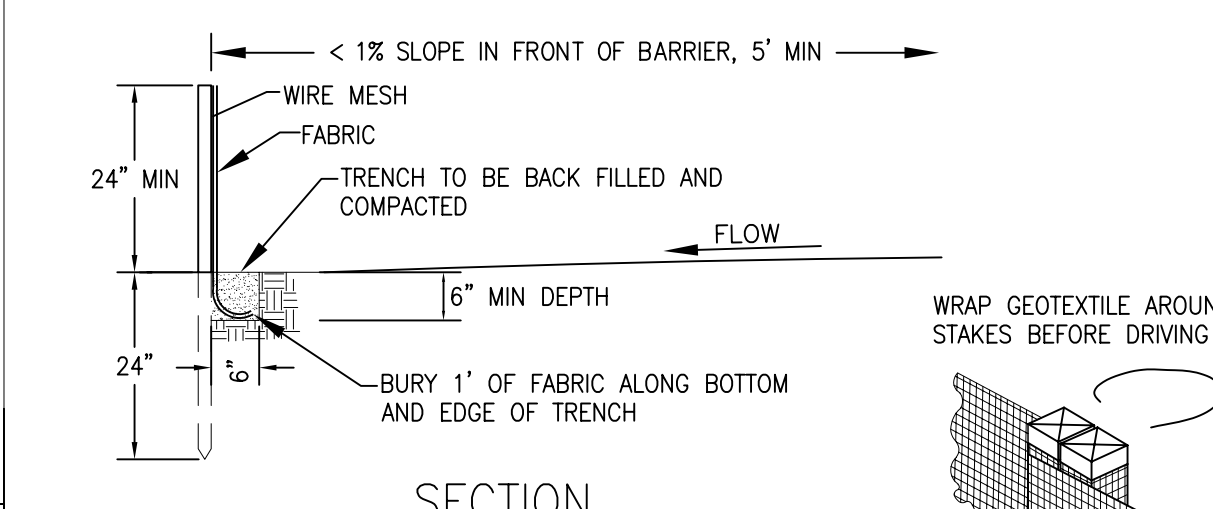
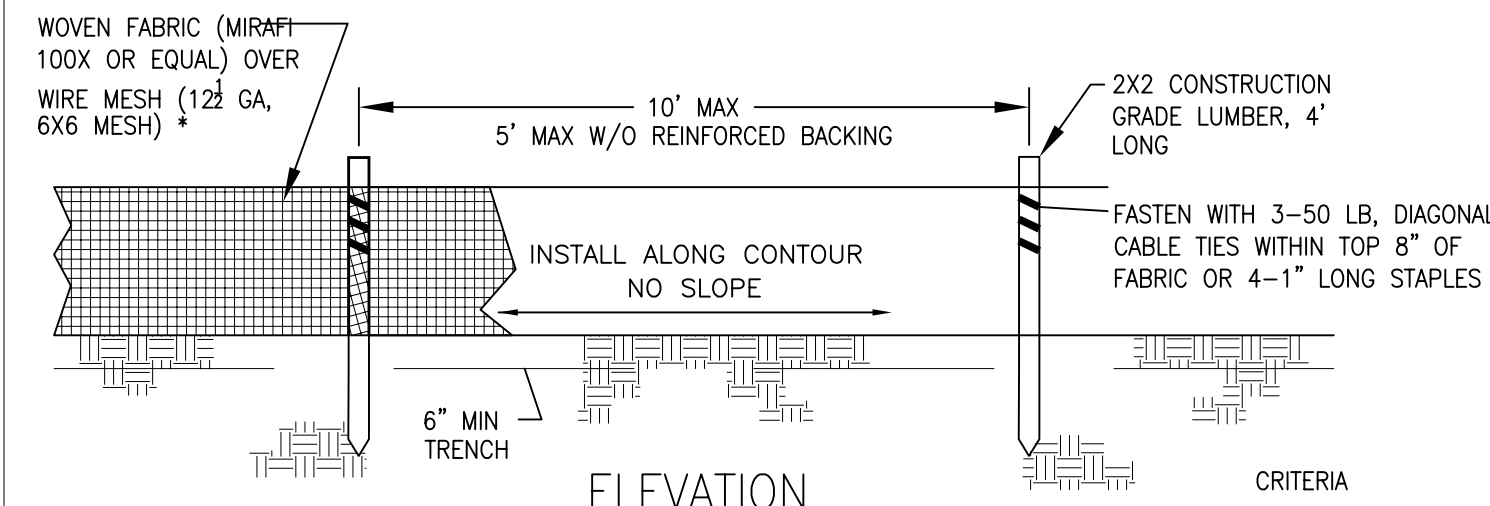


- DESIGN CRITERIA**
- SILT FENCE FOR SHEET FLOW SHALL HAVE A MAXIMUM DRAINAGE AREA OF 1/4 ACRE PER 100 LF.
 - STRAW BALE BARRIERS FOR SHEET FLOW SHALL HAVE A MAXIMUM DRAINAGE AREA OF 1/4 ACRE PER 100 LF.
 - REFER TO INDIVIDUAL ESC FIGURE FOR INSTALLATION.
 - TERRACING INCLUDES LOGS, WATTLES & FILTER SOCKS.

CITY OF O'FALLON
ENGINEERING DEPARTMENT
O'FALLON, MISSOURI

SPACING CHART
FOR ESC DEVICES

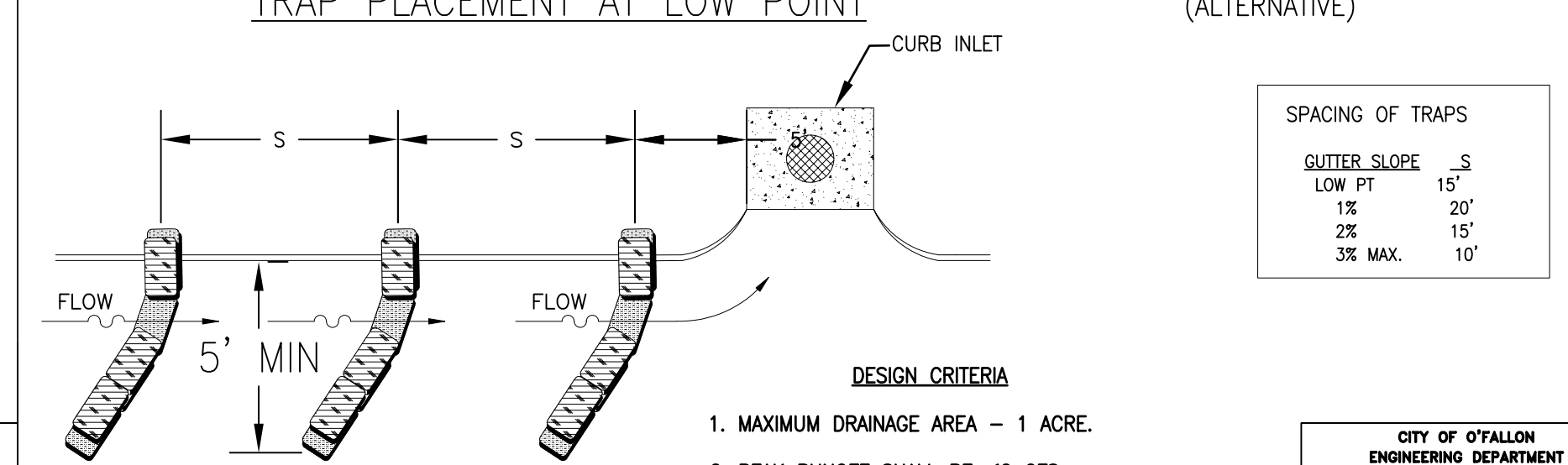
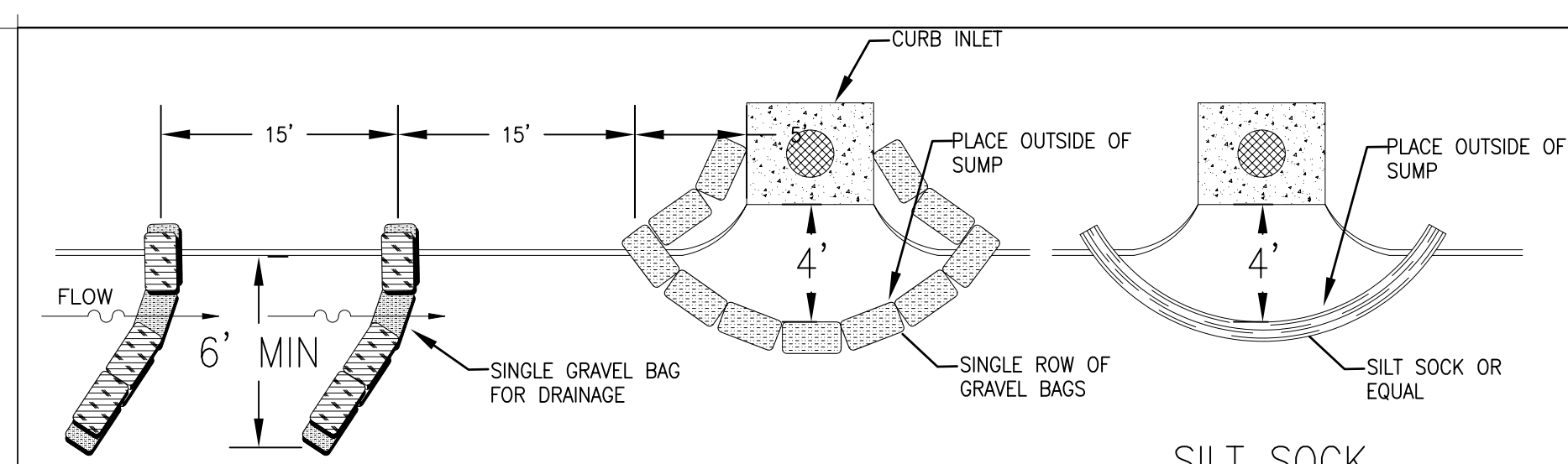


NOTE: IF FABRIC IS INSTALLED BY EQUIPMENT DESIGNED TO SLICE INTO THE GROUND, THE TRENCH IS NOT REQ'D.

- CRITERIA**
- SILT FENCE SHALL BE 24 INCHES HIGH.
 - SILT FENCE SHALL NOT BE USED FOR CONCENTRATED FLOWS.
 - GEOSYNTHETIC REINFORCED SILT FENCE BACKING MAY BE USED IN LIEU OF WIRE MESH.
 - WIRE MESH WILL BE USED AT LOCATIONS SHOWN ON THE APPROVED SWPPP.

CITY OF O'FALLON
ENGINEERING DEPARTMENT
O'FALLON, MISSOURI

SILT FENCE INSTALLATION
SHEET FLOW (ONLY)



SILT SOCK
(ALTERNATIVE)

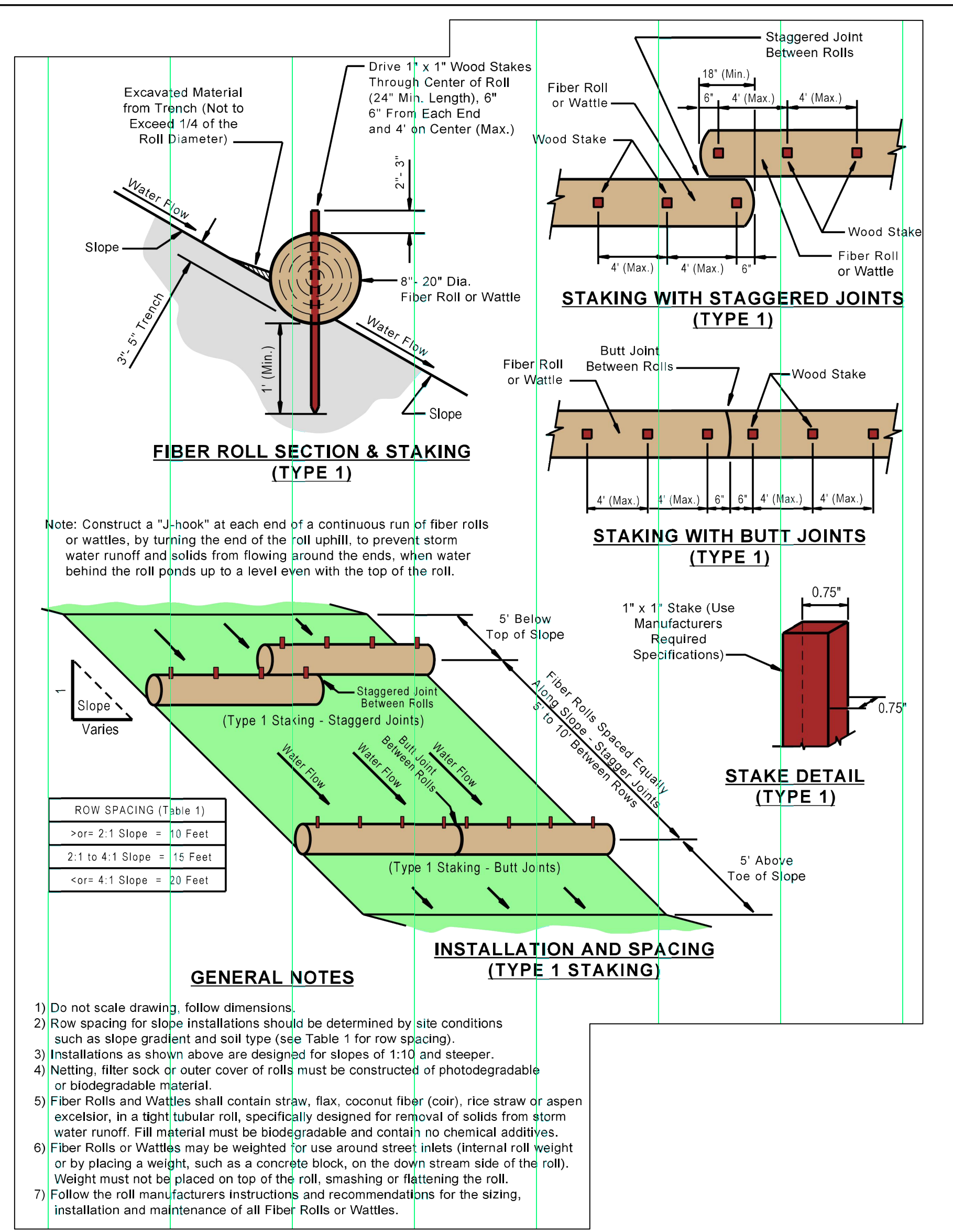
SPACING OF TRAPS

GUTTER SLOPE	S
LOW PT	15'
1%	20'
2%	15'
3% MAX.	10'

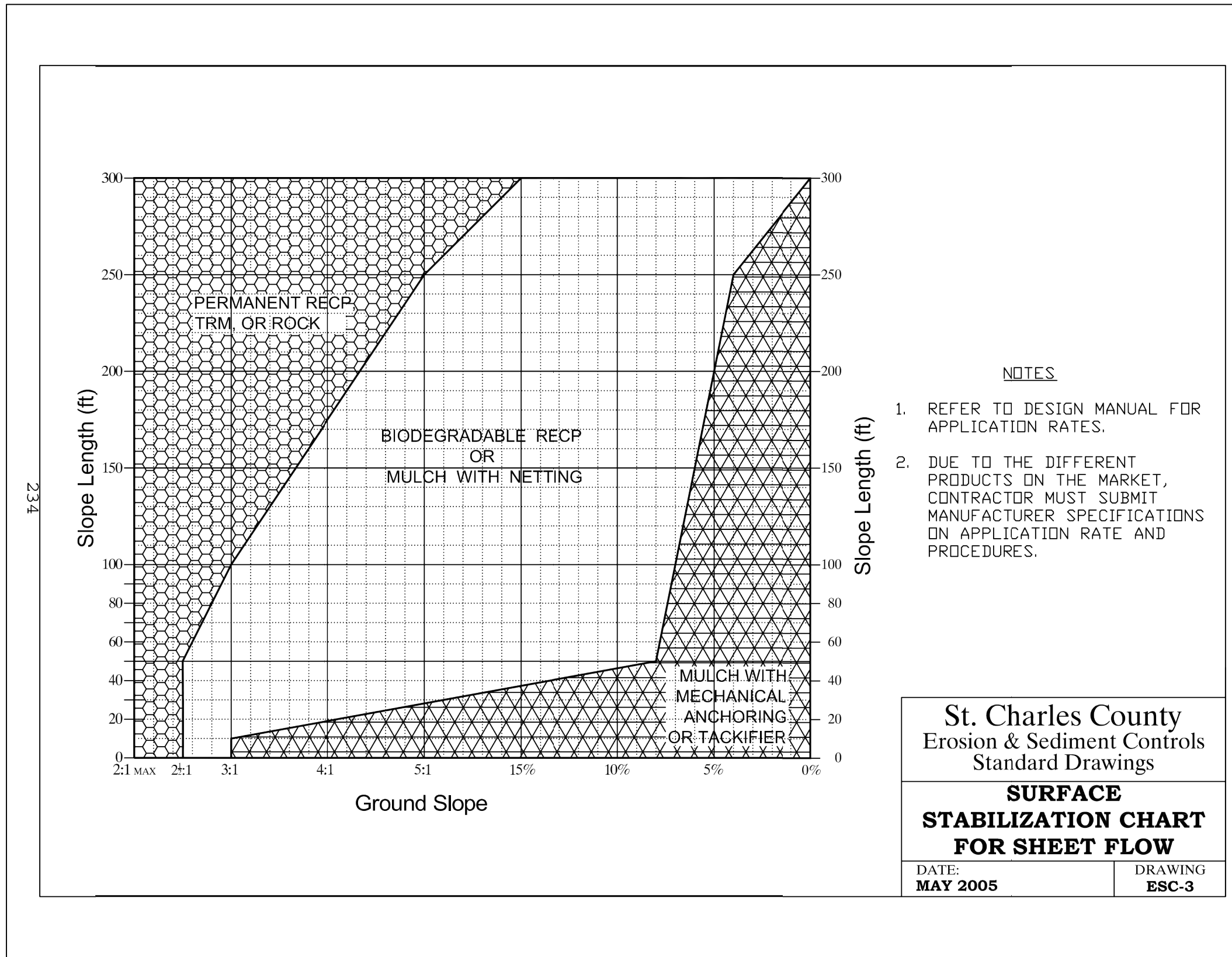
- DESIGN CRITERIA**
- MAXIMUM DRAINAGE AREA - 1 ACRE.
 - PEAK RUNOFF SHALL BE ≤2 CFS BASED ON THE 6-MONTH STORM.
 - STACK GRAVEL BAGS DOUBLE HIGH. PROVIDE GAP FOR DRAINAGE.

CITY OF O'FALLON
ENGINEERING DEPARTMENT
O'FALLON, MISSOURI

CURB INLET
PROTECTION



- GENERAL NOTES**
- Do not scale drawing; follow dimensions.
 - Row spacing for slope installations should be determined by site conditions such as slope gradient and soil type (see Table 1 for row spacing).
 - Installations as shown above are designed for slopes of 1:10 and steeper.
 - Installations as shown above are designed for slopes of 1:10 and steeper.
 - Netting, filter sock or outer cover of rolls must be constructed of photodegradable or biodegradable material.
 - Fiber Rolls and Wattles shall contain straw, flax, coconut fiber (coir), rice straw or aspen excelsior, in a tight tubular roll, specifically designed for removal of solids from storm water runoff. Fill material must be biodegradable and contain no chemical additives.
 - Fiber Rolls or Wattles may be weighted for use around street inlets (internal roll weight) or by placing a weight, such as a concrete block, on the down stream side of the roll. Weight must not be placed on top of the roll, smashing or flattening the roll.
 - Follow the roll manufacturers instructions and recommendations for the sizing, installation and maintenance of all Fiber Rolls or Wattles.



- NOTES**
- REFER TO DESIGN MANUAL FOR APPLICATION RATES.
 - DUE TO THE DIFFERENT PRODUCTS ON THE MARKET, CONTRACTOR MUST SUBMIT MANUFACTURER SPECIFICATIONS ON APPLICATION RATE AND PROCEDURES.

St. Charles County
Erosion & Sediment Controls
Standard Drawings

**SURFACE
STABILIZATION CHART
FOR SHEET FLOW**

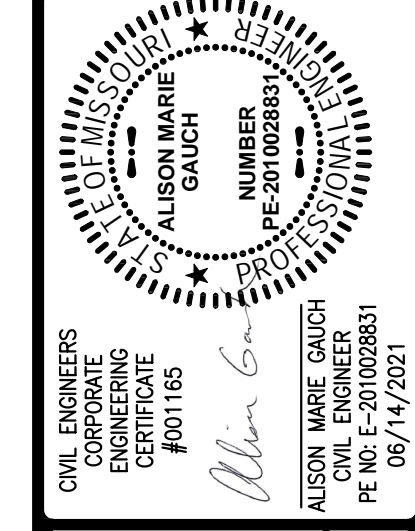
DATE: MAY 2005 DRAWING: ESC-3

USER: Alison Gauth TAB: C7.2 SWPPP DETAILS
DATE: June 15, 2021 7:26:28 AM
DRAWING: S:\JOBS\2021\21-0036-000A\0001\C-P\Plan_SWPP_21-0036.dwg

NO	REVISION DESCRIPTION	DATE

DEVELOPER/OWNER:
BARRON SWIM SCHOOL
1158 LINDBERGH BUSINESS CT.
ST. LOUIS, MO 63123

THE PROFESSIONAL WHOSE SIGNATURE AND PERSONAL SEAL APPEAR HEREON HAS PREPARED THIS DRAWING AND ASSUMES ALL RESPONSIBILITY FOR ANY ERRORS OR OMISSIONS. SPECIFICATIONS, ESTIMATES, REPORTS, OR OTHER DOCUMENTS OR INSTRUMENTS NOT SHOWN ON THIS DRAWING ARE HEREBY INCORPORATED BY REFERENCE. THIS DRAWING IS FOR THE PART OR PARTS OF THE PROJECT TO WHICH THIS DRAWING REFERS.



BARRON SWIM SCHOOL

CALEDONIA CENTER, LOT 9A
O'FALLON, MO 63368

SWPPP DETAILS

+ ST. CHARLES
1520 S. Fifth Street
Suite 307
St. Charles, MO 63303
636.979.6667
www.stcharlescole.com

COLE

Civil & Architect, Inc. is a Missouri Corporation. Civil & Architect Group, Inc. is a Missouri & Texas limited liability company.

CIVIL ENGINEERING / SURVEYING / PLANNING / LANDSCAPE ARCHITECTURE

DESIGN/CALC BY:	CAW
DRAWN BY:	CAW
CHECKED BY:	AMG
DRAWING SCALE:	AS SHOWN
DATE:	06/14/21
Job Number:	21-0036-000A
Sheet Number:	C7.2