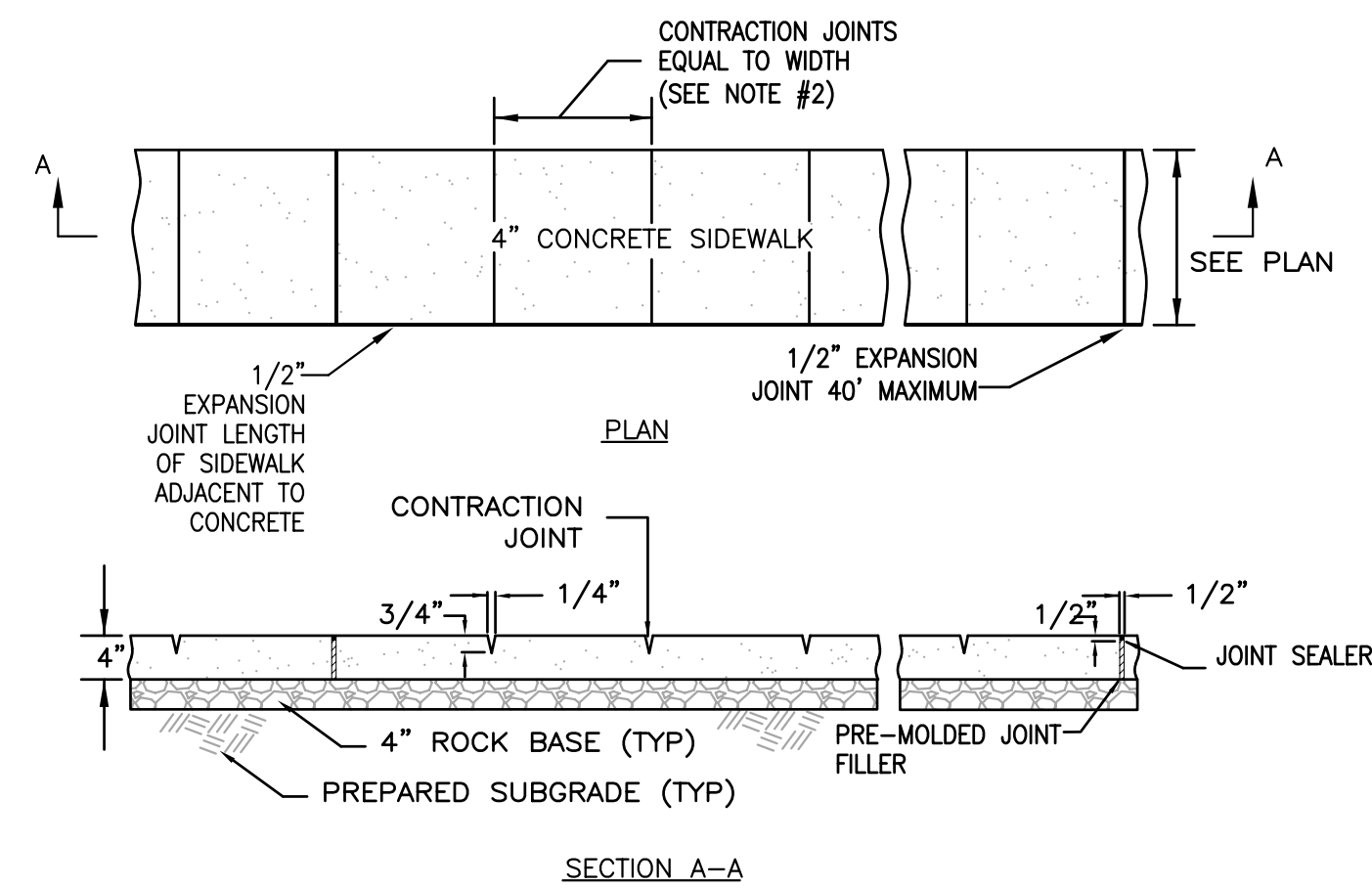
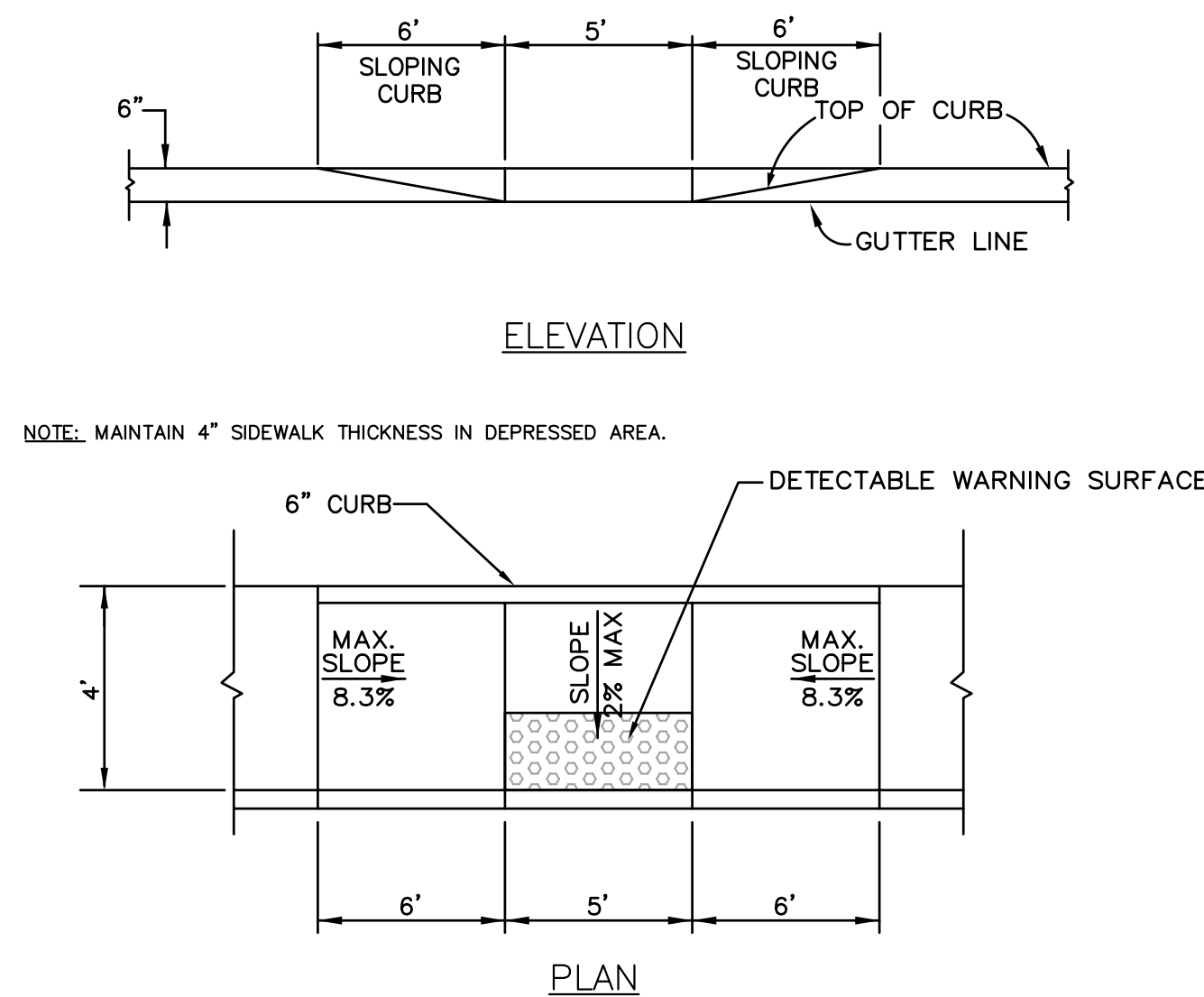


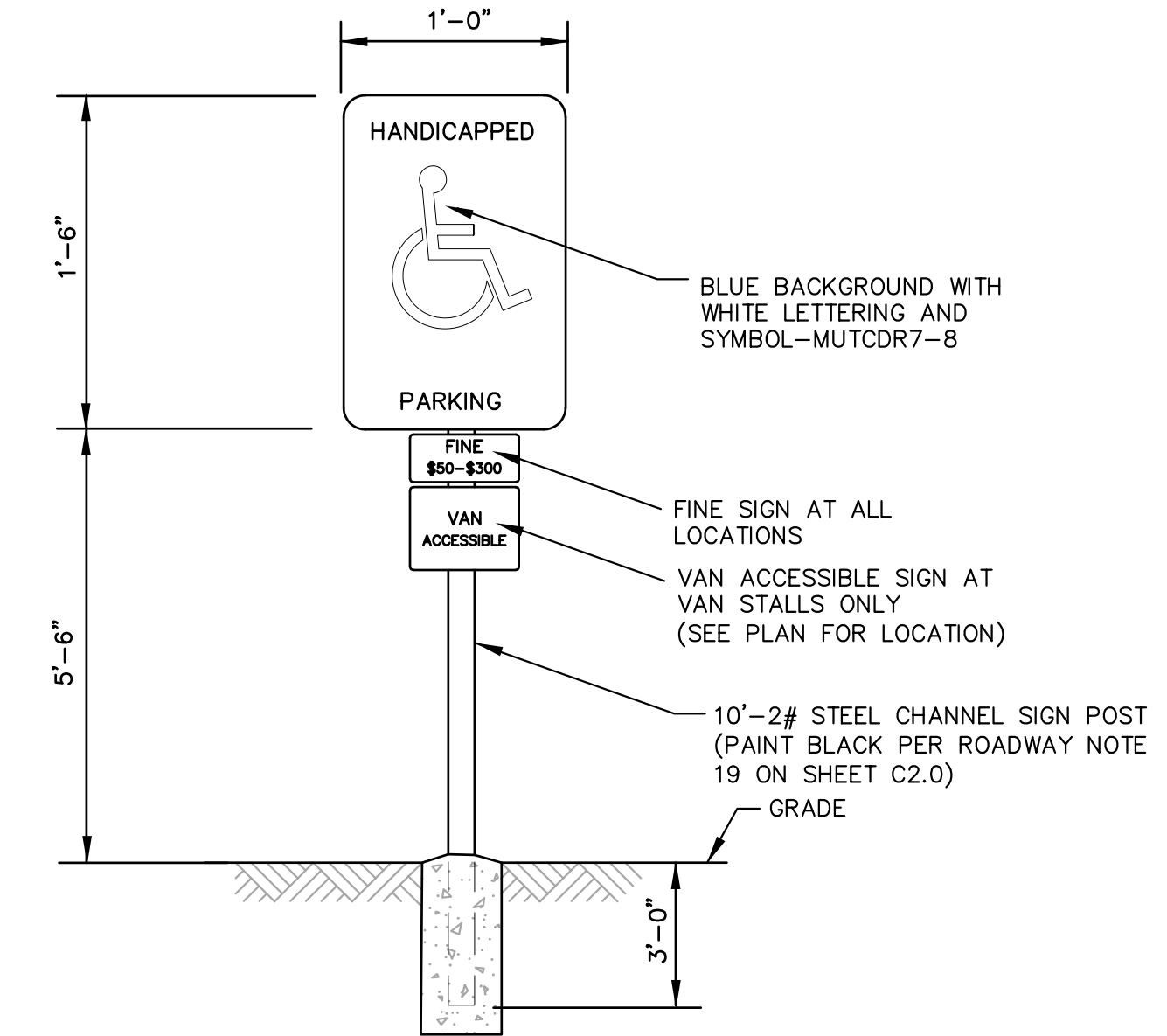
**1 ACCESSIBLE RAMP DETAIL**  
SCALE: N.T.S. REF. DWG.



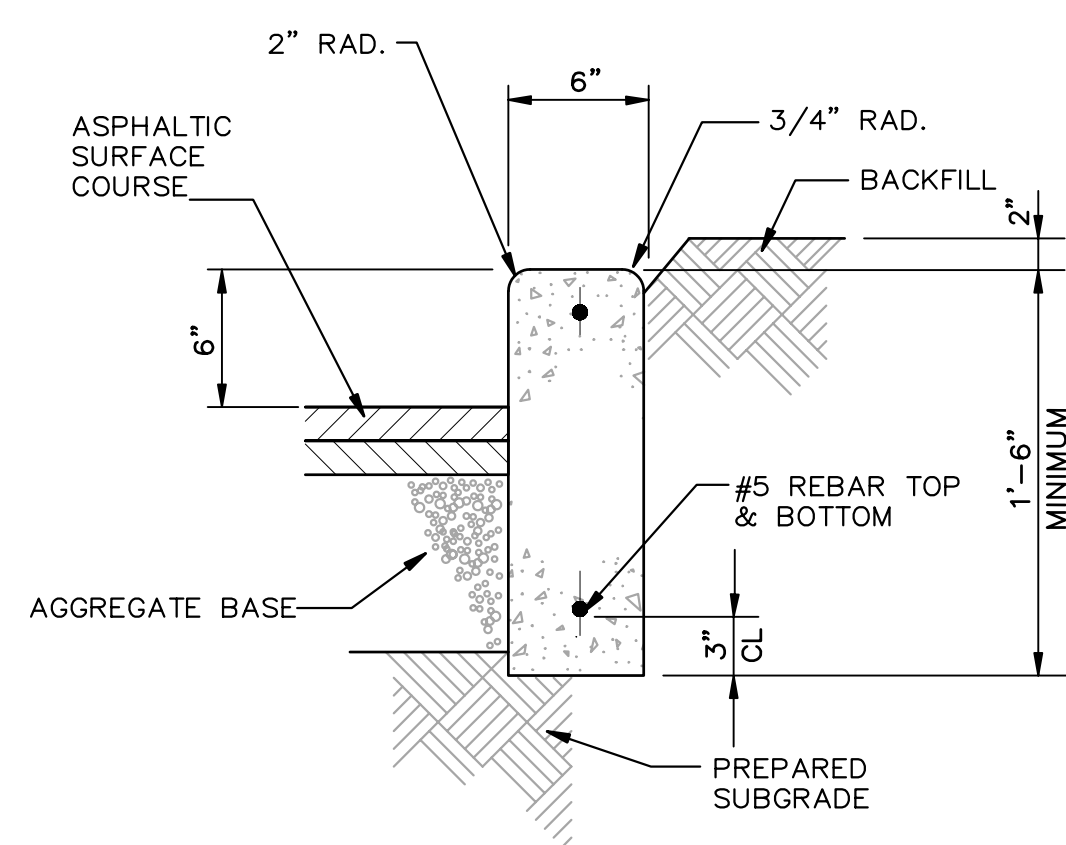
**2 CONCRETE SIDEWALK DETAIL**  
SCALE: N.T.S. REF. DWG.



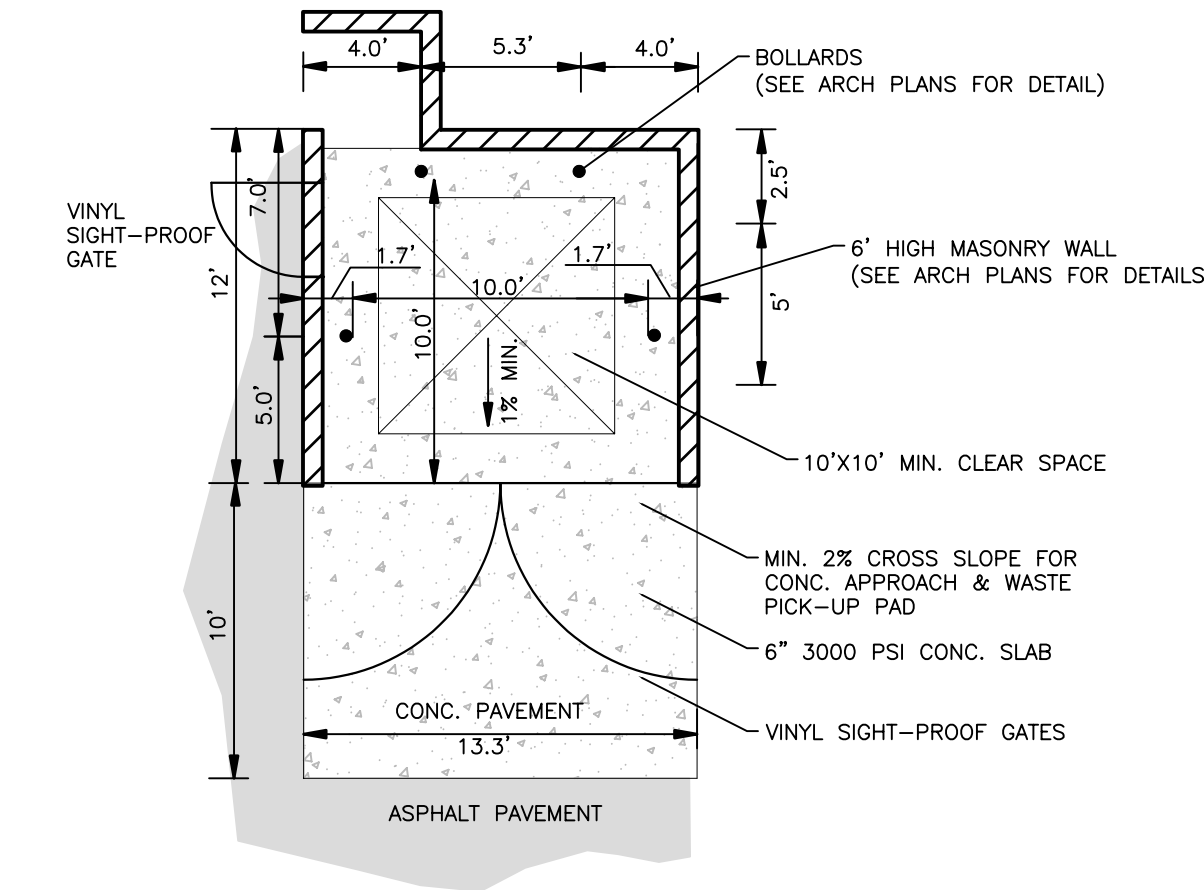
**3 PARALLEL ACCESSIBLE RAMP DETAIL**  
SCALE: N.T.S. REF. DWG.



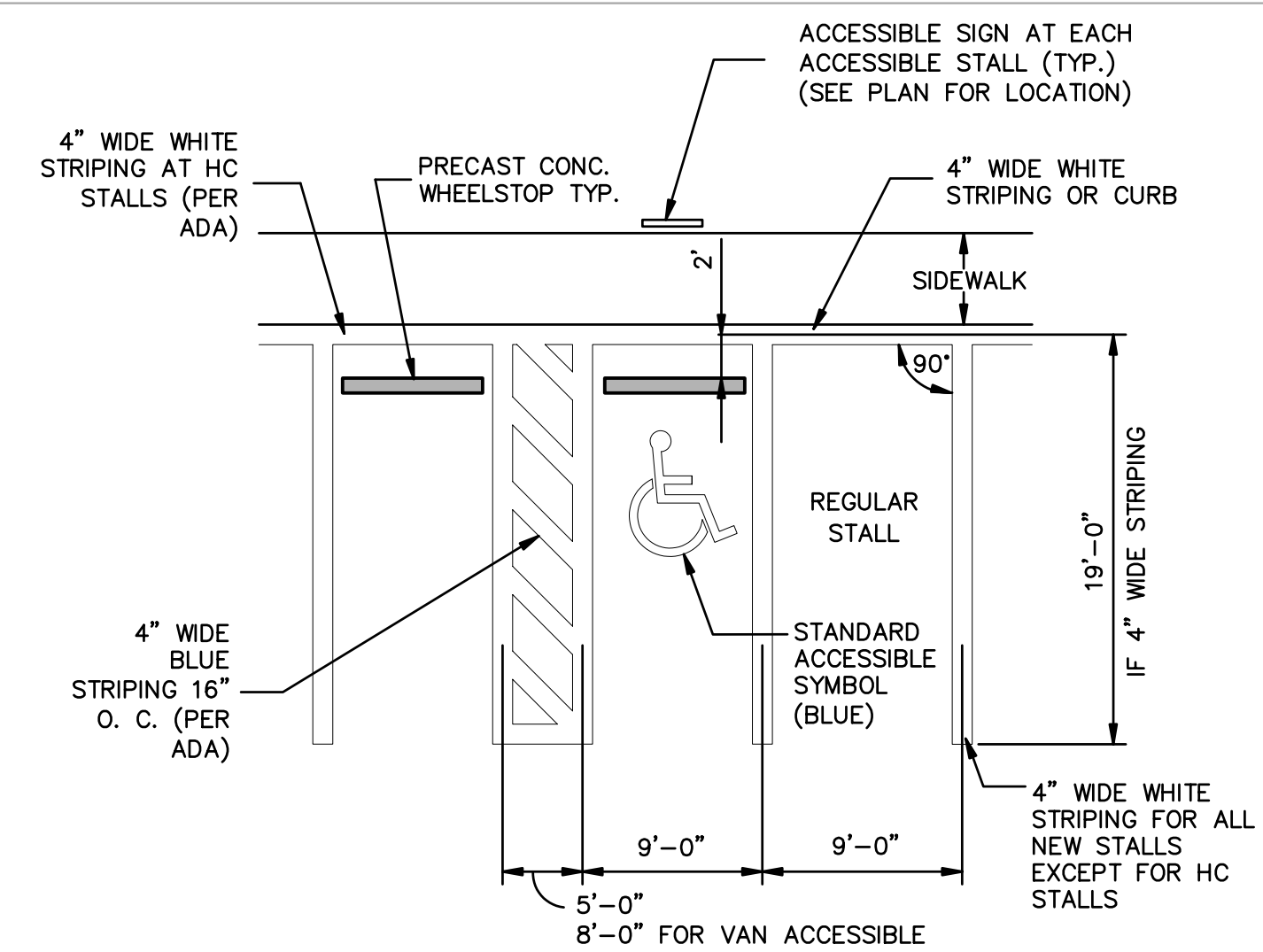
**4 HANDICAP SIGN DETAIL**  
SCALE: N.T.S. REF. DWG.



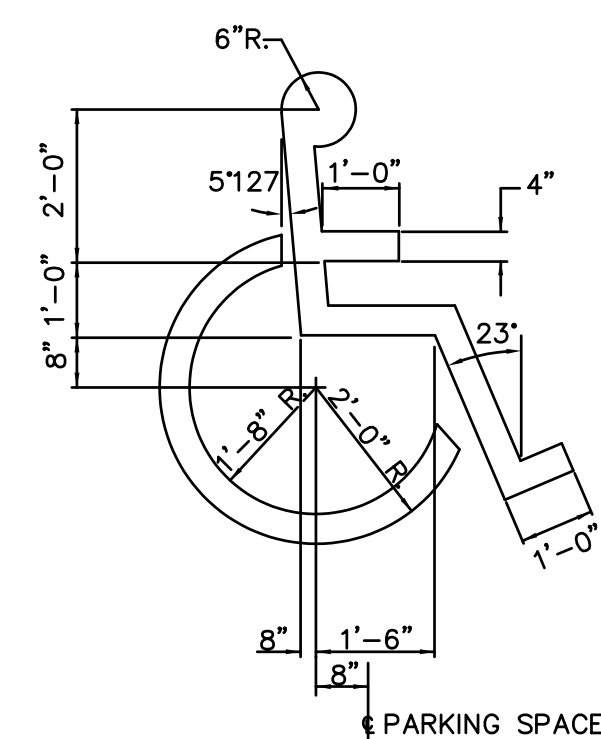
**6 VERTICAL CONCRETE CURB DETAIL**  
SCALE: N.T.S. REF. DWG.



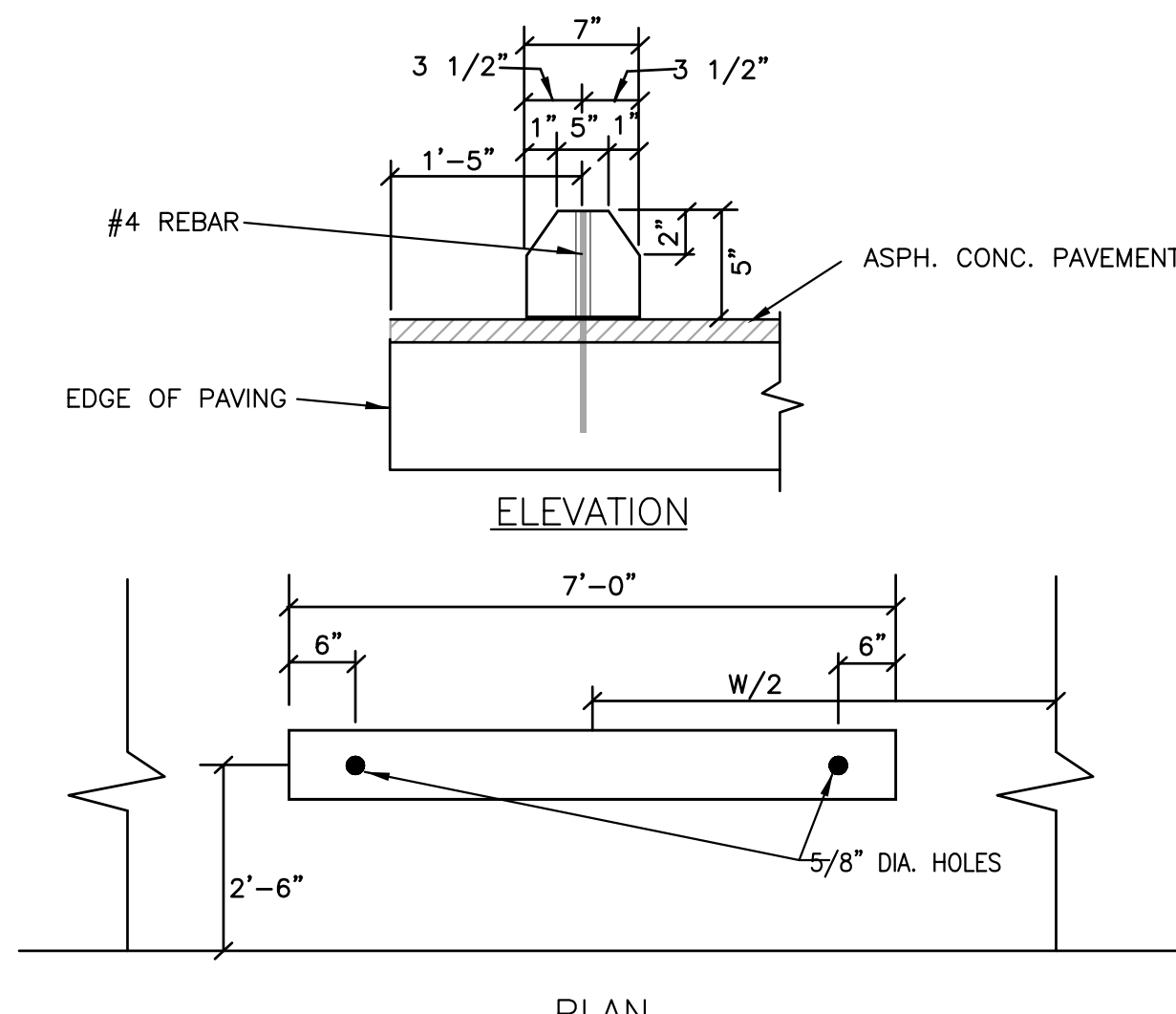
**7 TRASH ENCLOSURE DETAIL**  
SCALE: N.T.S. REF. DWG.



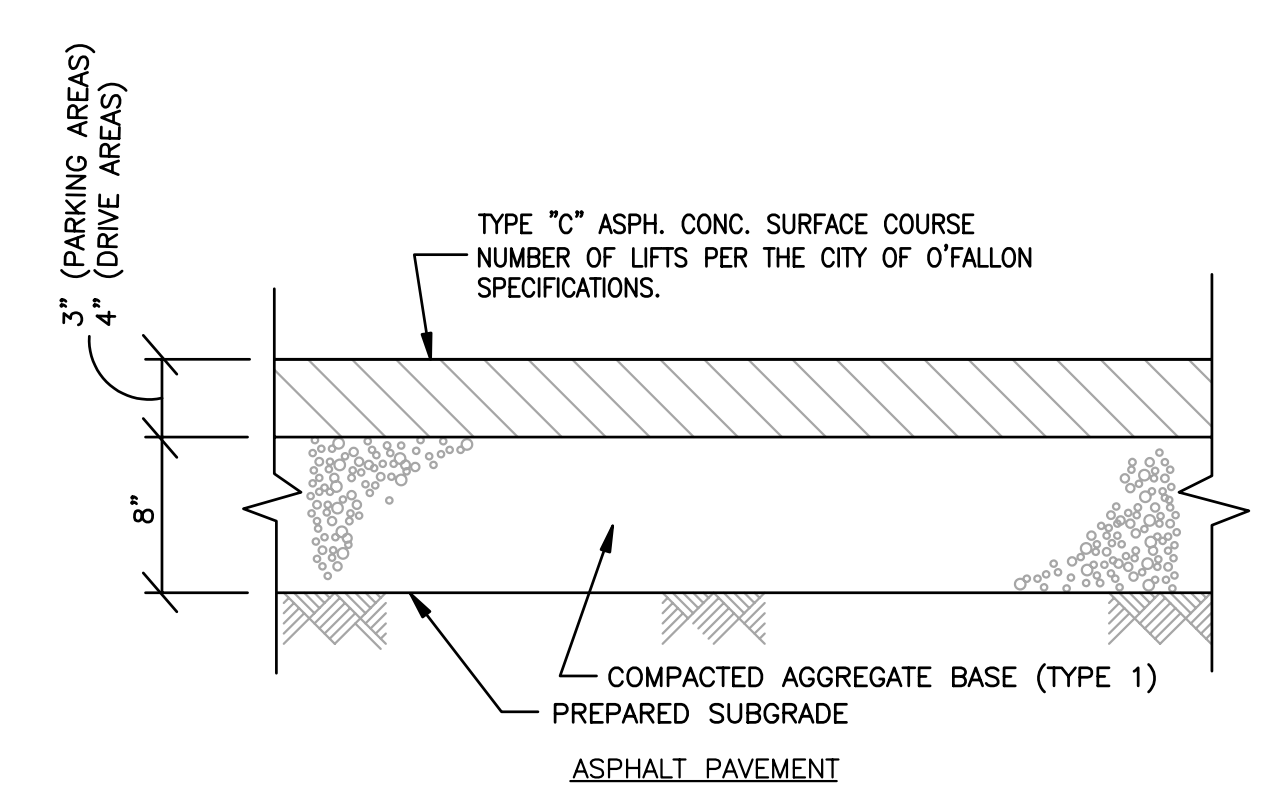
**8 90° ACCESSIBLE PARKING DETAIL**  
SCALE: N.T.S. REF. DWG.



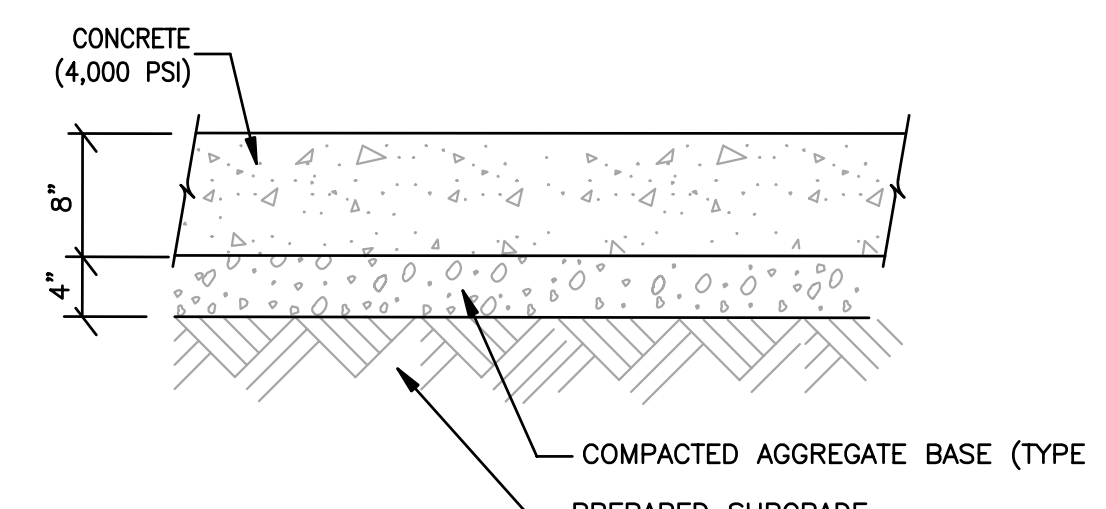
**9 HANDICAP SYMBOL DETAIL**  
SCALE: N.T.S. REF. DWG.



**10 WHEEL STOP DETAIL**  
SCALE: N.T.S. REF. DWG.



**11 ASPHALT PAVEMENT DETAIL**  
SCALE: N.T.S. REF. DWG.

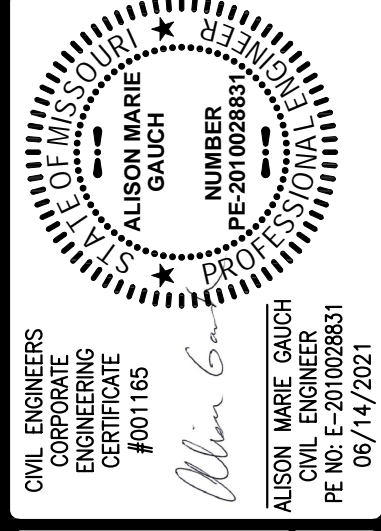


**12 CONCRETE PAVEMENT DETAIL**  
SCALE: N.T.S. REF. DWG.

USER: Alison Gauth TAB: C8.1  
DATE: June 14, 2021 - 4:05:43 PM  
DRAWING: S:\0085\00852021\21-0036-000A\CADD\C-Plan\Plan\Sheet\01\_Plan\_DETAL\_21-0036.dwg

NO.	REVISION DESCRIPTION	DATE

DEVELOPER/OWNER:  
**BARRON SWIM SCHOOL**  
1158 LINDBERGH BUSINESS CT.  
ST. LOUIS, MO 63123



CIVIL ENGINEERS  
CORPORATE  
LICENSED PROFESSIONAL ENGINEERS  
ALISON MARIE GAUTH  
#01185  
NUMBER  
E-2010028831  
PROF.  
ALISON MARIE GAUTH  
#01185  
PE NO. E-2010028831  
06/14/2021

**BARRON SWIM SCHOOL**

CALEDONIA CENTER, LOT 9A  
O'FALLON, MO 63368

**CONSTRUCTION DETAILS**

**+ ST. CHARLES**  
1520 S. Fifth Street  
Suite 307  
St. Charles, MO 63303  
636.979.4444  
www.stcharles.com

**COLE**  
CIVIL ENGINEERING / SURVEYING / PLANNING / LANDSCAPE ARCHITECTURE  
Cole & Associates, Inc. is an Equal Opportunity Employer. Race, Sex, Religion & Ethnic Origin are prohibited grounds for discrimination.

DESIGN/CALC BY:	CAW
DRAWN BY:	CAW
CHECKED BY:	AMG
DRAWING SCALE:	AS SHOWN
DATE:	06/14/21
Job Number	21-0036-000A
Sheet Number	C8.1