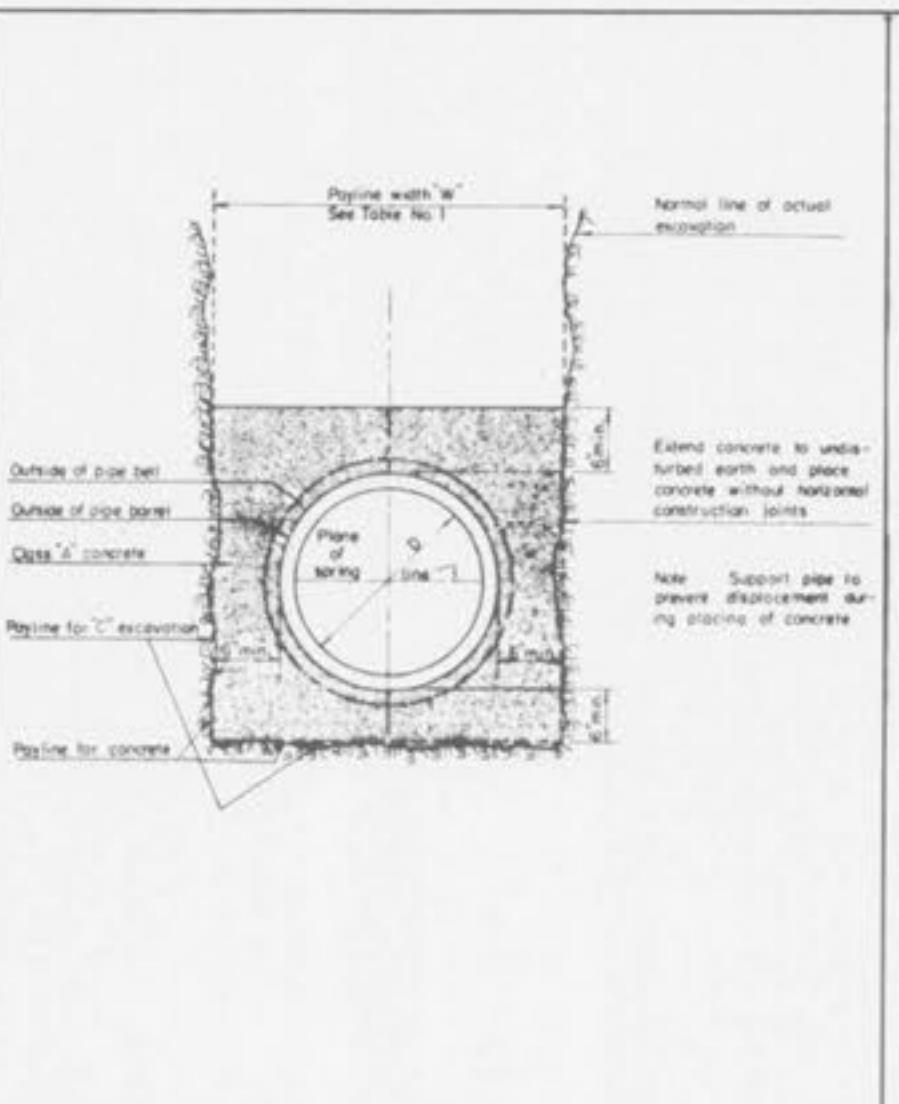
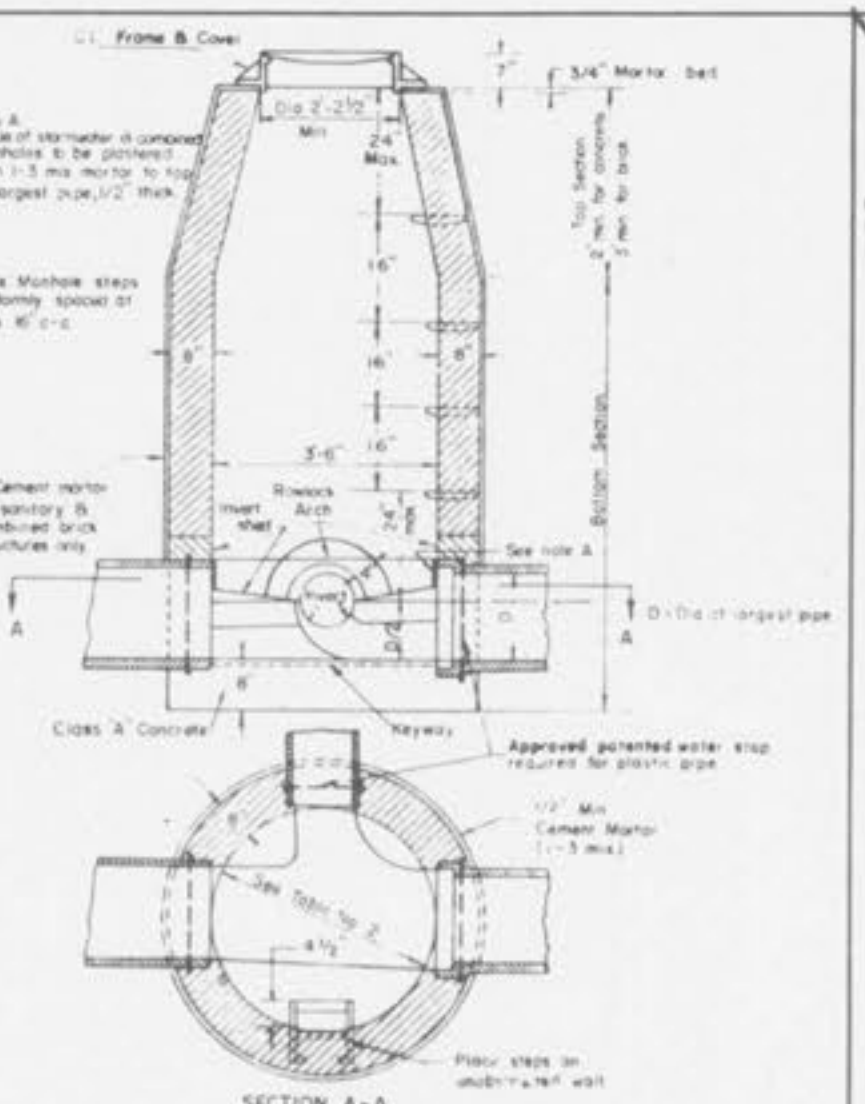


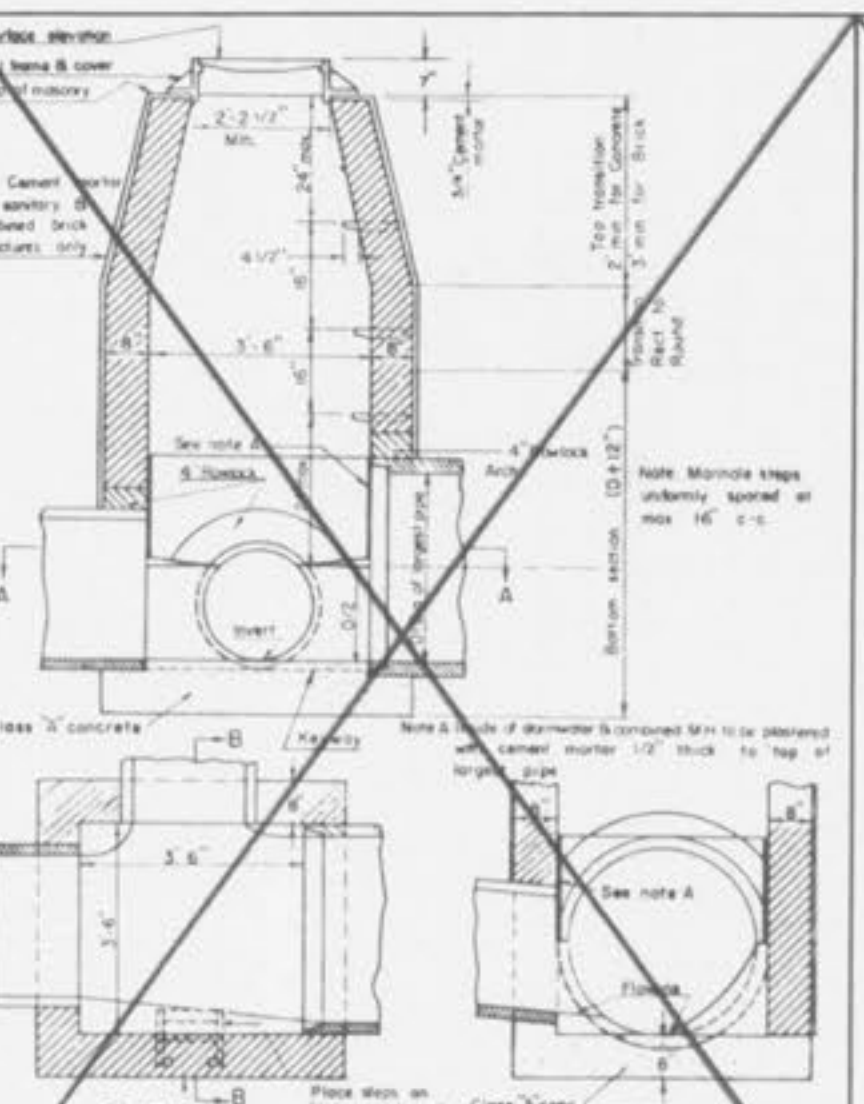
PIPE BEDDING CLASS "C" (MODIFIED FOR REINFORCED CONCRETE PIPE)  
 METROPOLITAN ST. LOUIS SEWER DISTRICT  
 Standard Details of Sewer Construction  
 Dr. J.V.N. CA. J.C.K. April 1984 Sheet 4



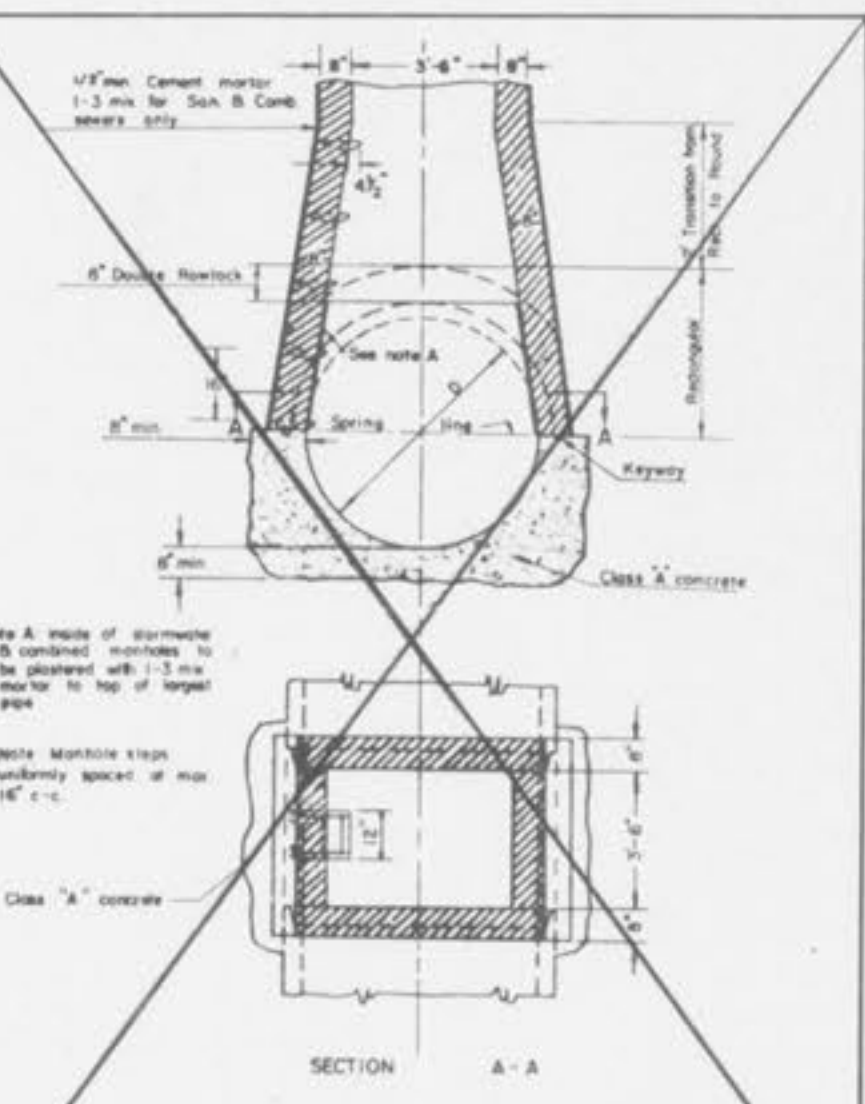
CONCRETE ENCASEMENT  
 METROPOLITAN ST. LOUIS SEWER DISTRICT  
 Standard Details of Sewer Construction  
 Dr. J.V.N. CA. J.C.K. April 1984 Sheet 5



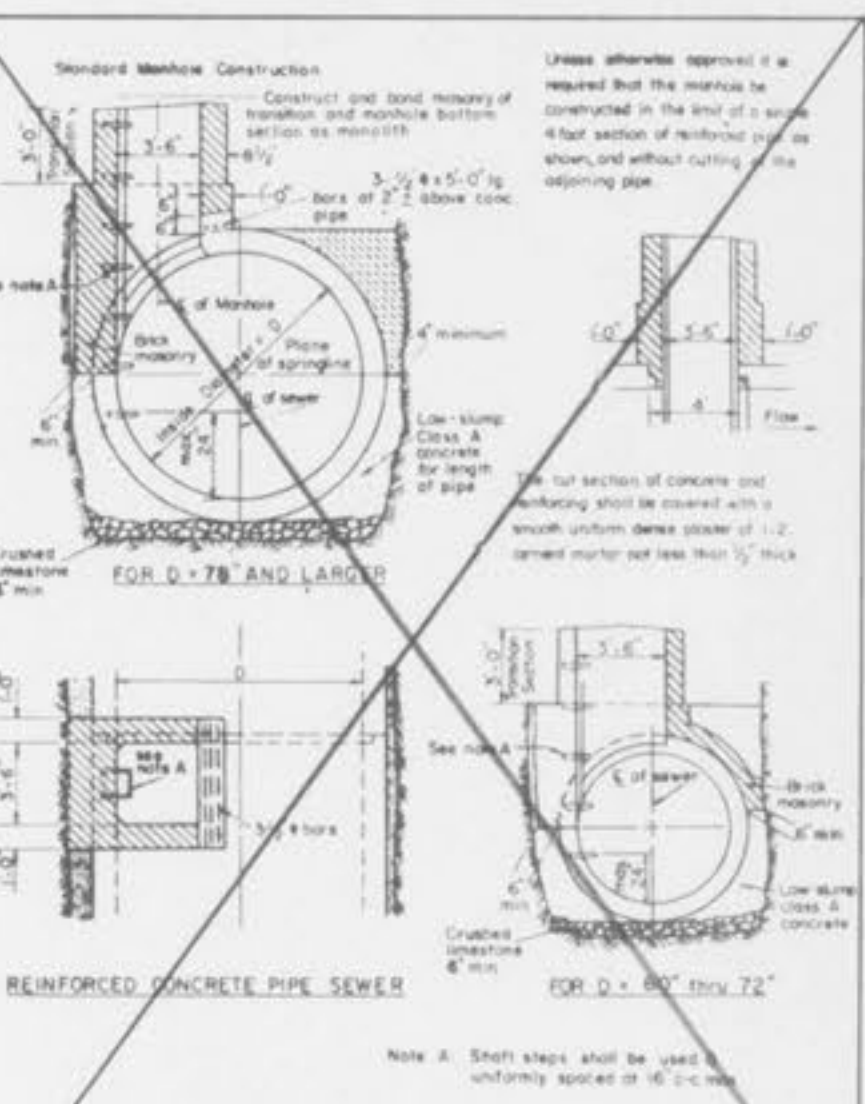
LINE MANHOLE  
 PIPE SEWERS 6" - 24" DIA.  
 METROPOLITAN ST. LOUIS SEWER DISTRICT  
 Standard Details of Sewer Construction  
 Dr. J.V.N. CA. J.C.K. April 1984 Sheet 6



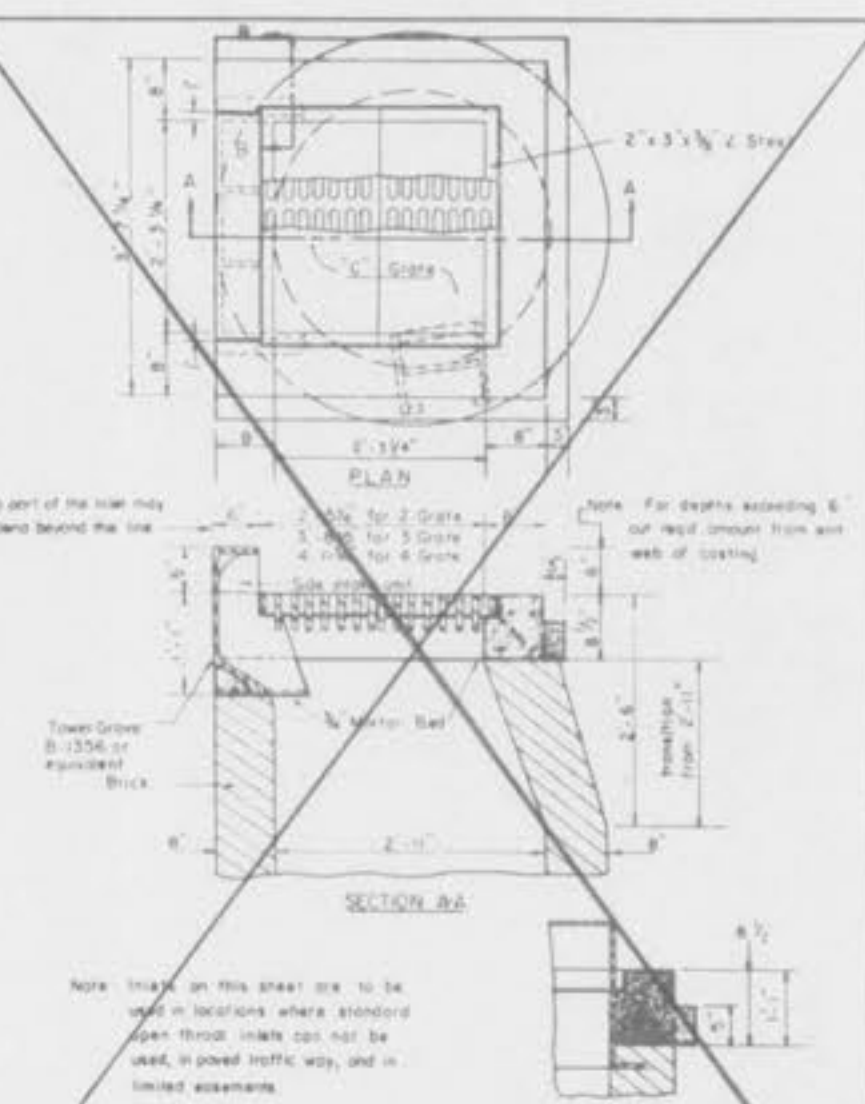
TYPICAL LINE MANHOLE ON PIPE SEWER 27" THRU 56" IN DIAMETER  
 METROPOLITAN ST. LOUIS SEWER DISTRICT  
 Standard Details of Sewer Construction  
 Dr. J.V.N. CA. J.C.K. April 1979 Sheet 9



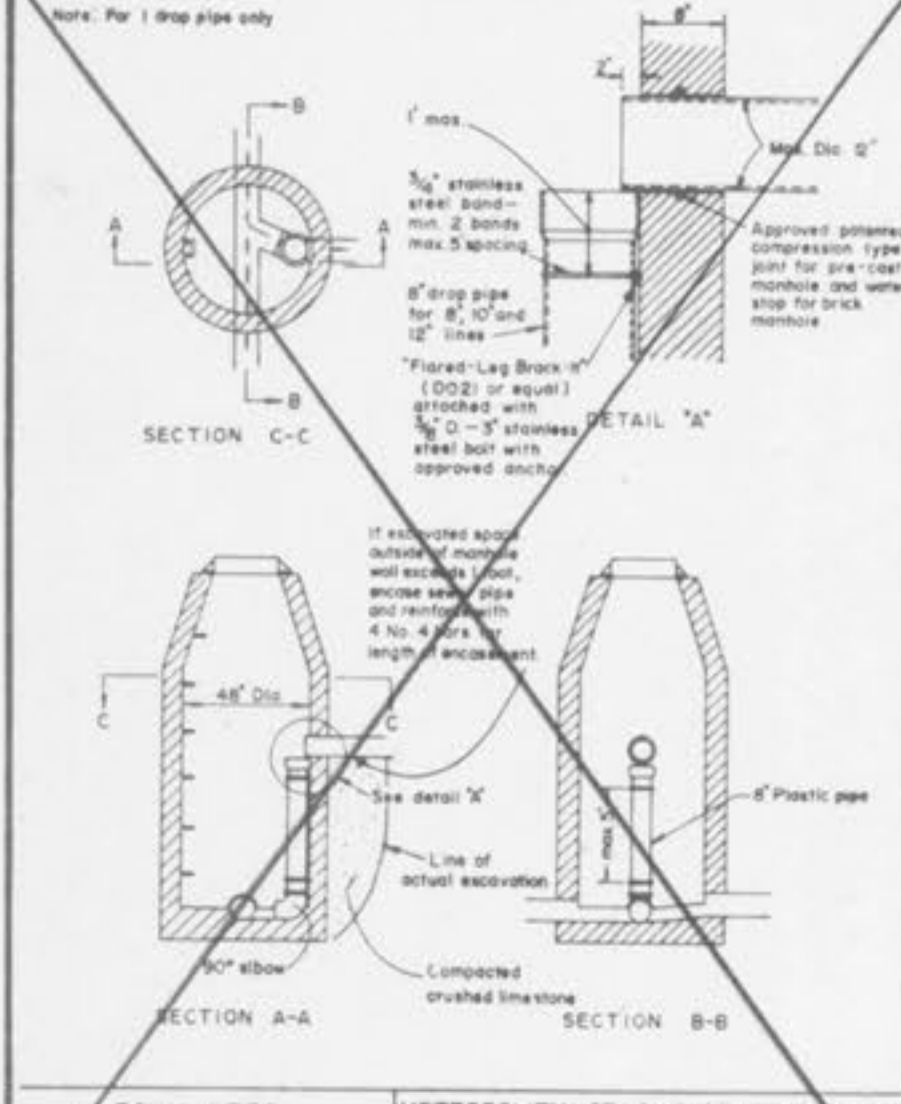
MANHOLE ON CONCRETE PIPE SEWERS 39" THRU 56" DIAMETER  
 METROPOLITAN ST. LOUIS SEWER DISTRICT  
 Standard Details of Sewer Construction  
 Dr. J.V.N. CA. J.C.K. April 1979 Sheet 11



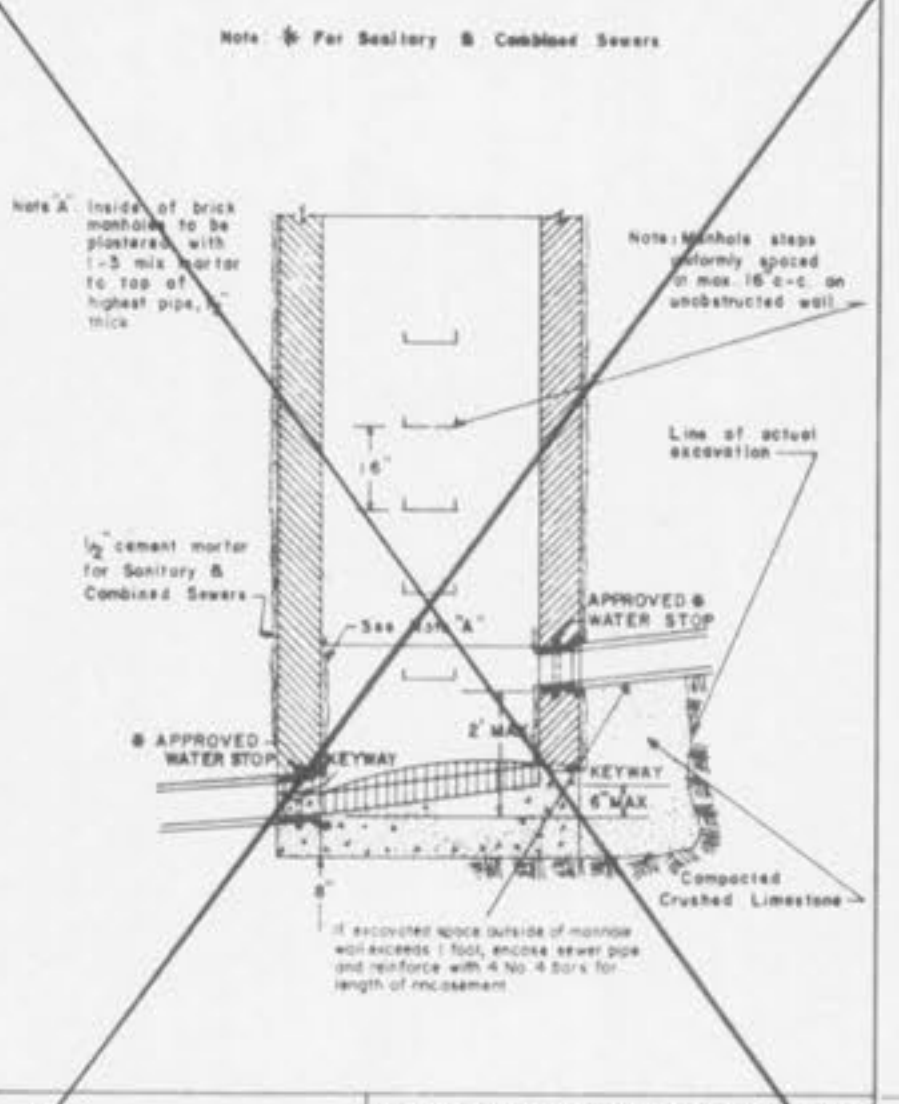
TYPICAL MANHOLE BASE REINFORCED CONCRETE PIPE SEWERS 60" AND LARGER IN DIAMETER  
 METROPOLITAN ST. LOUIS SEWER DISTRICT  
 Standard Details of Sewer Construction  
 Dr. J.V.N. CA. J.C.K. April 1984 Sheet 13



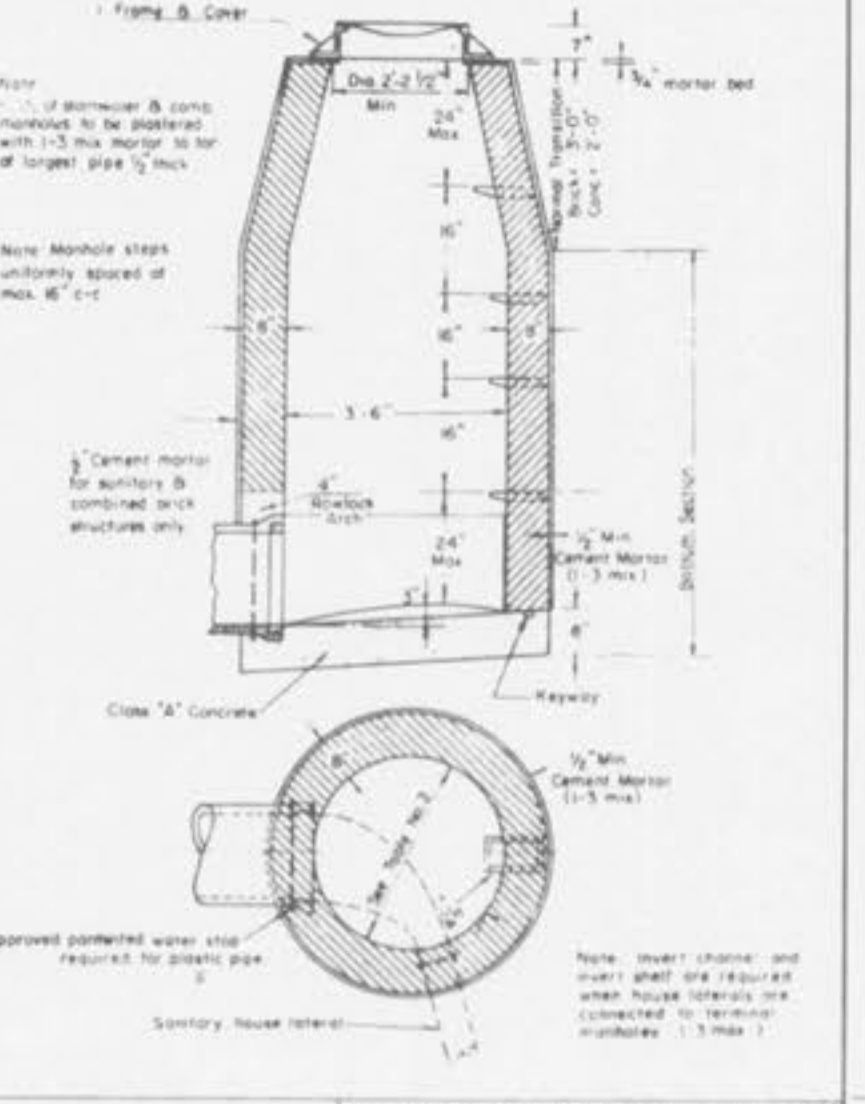
2 GRATE INLET WITH SIDE INTAKE UNIT  
 METROPOLITAN ST. LOUIS SEWER DISTRICT  
 Standard Details of Sewer Construction  
 Dr. J.V.N. CA. J.C.K. June 1984 Sheet 35



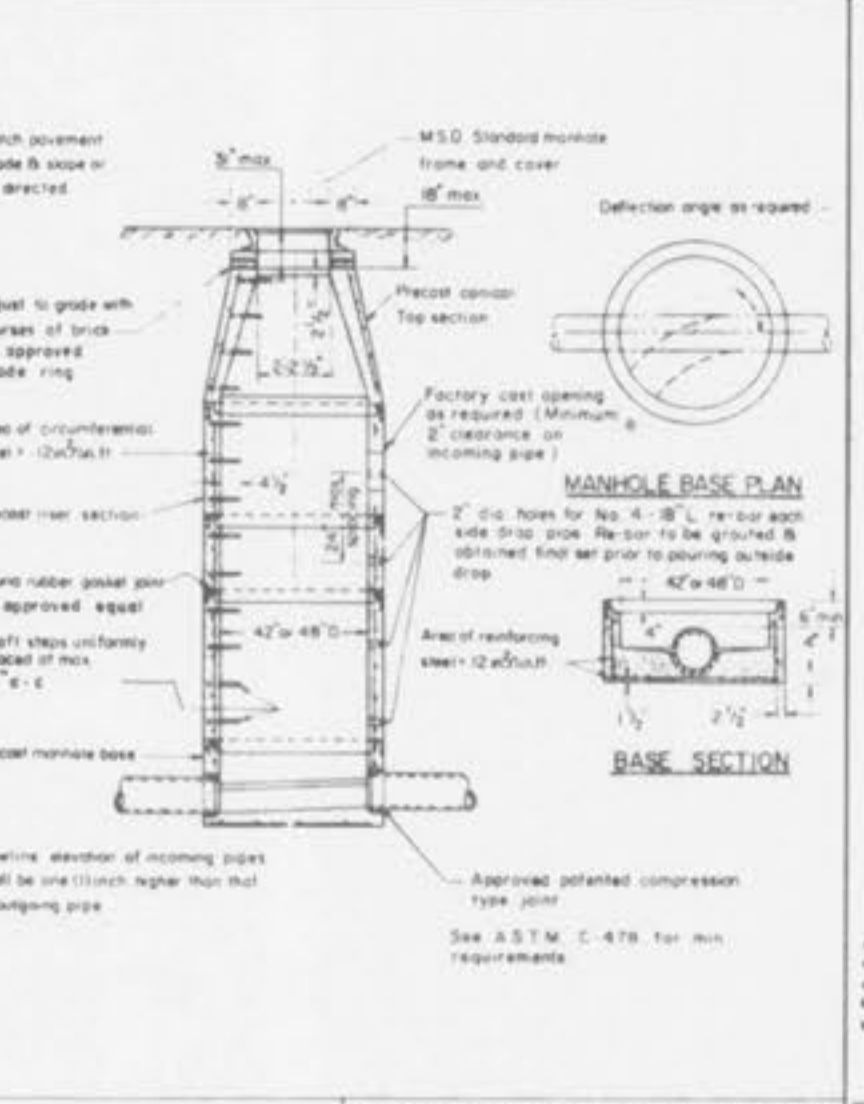
FOULWATER INSIDE DROP MANHOLE FOR PLASTIC PIPE  
 METROPOLITAN ST. LOUIS SEWER DISTRICT  
 Standard Details of Sewer Construction  
 Dr. R.N. CA. J.H.S. FEB 1984 Sheet 16



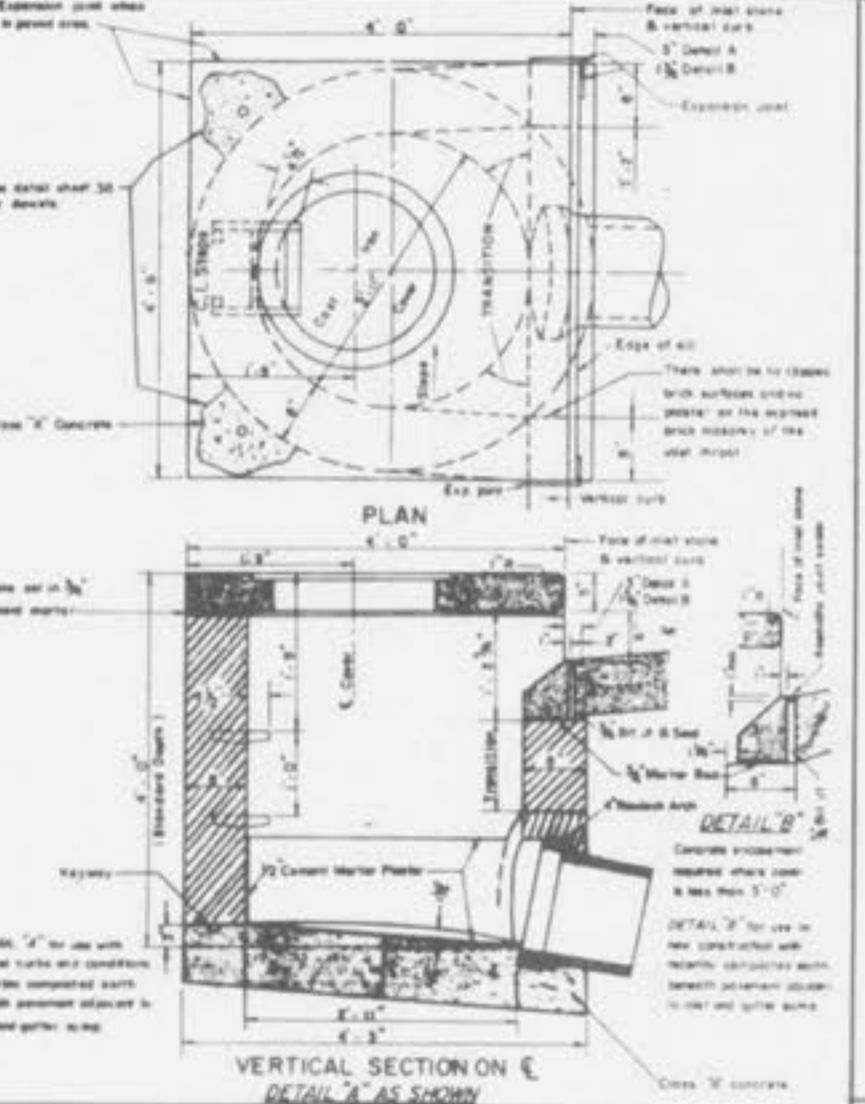
INSIDE DROP (8" THRU 24" DIA PIPE)  
 METROPOLITAN ST. LOUIS SEWER DISTRICT  
 Standard Details of Sewer Construction  
 Dr. J.V.N. CA. J.C.K. JUNE 1984 Sheet 17



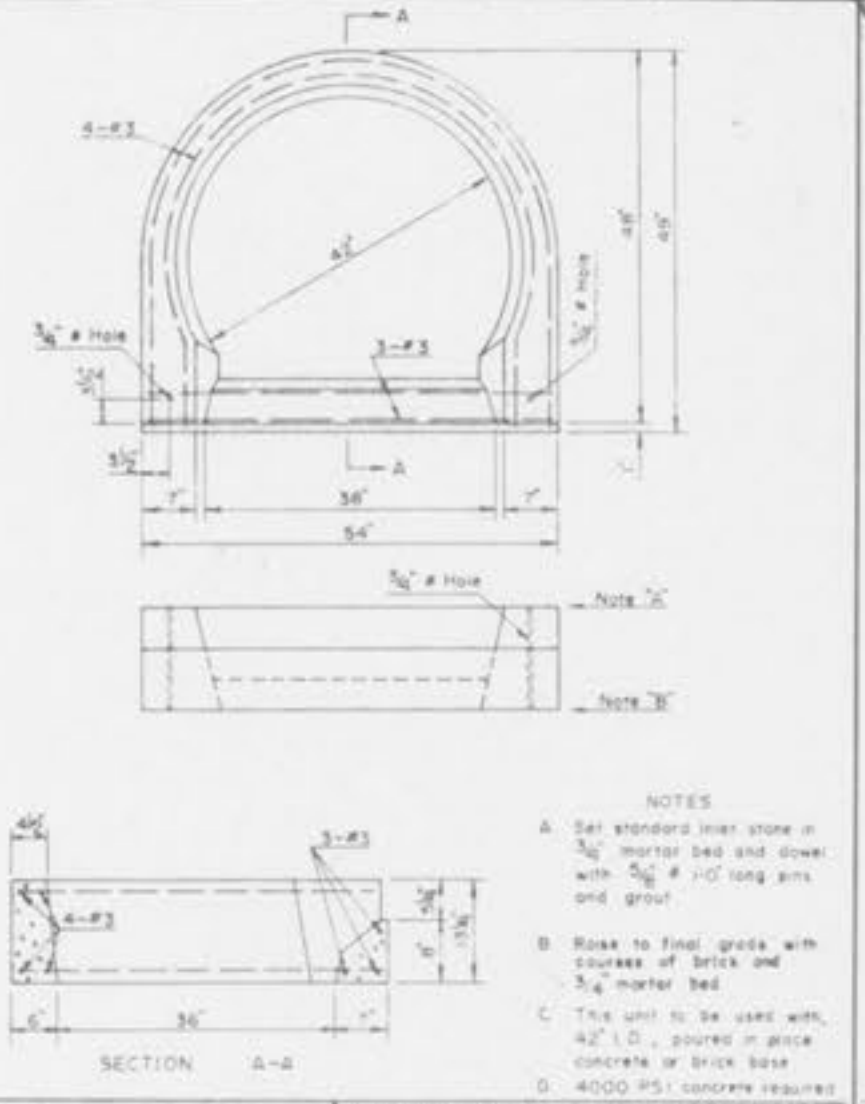
TERMINAL MANHOLE  
 METROPOLITAN ST. LOUIS SEWER DISTRICT  
 Standard Details of Sewer Construction  
 Dr. J.V.N. CA. J.C.K. FEB 1984 Sheet 18



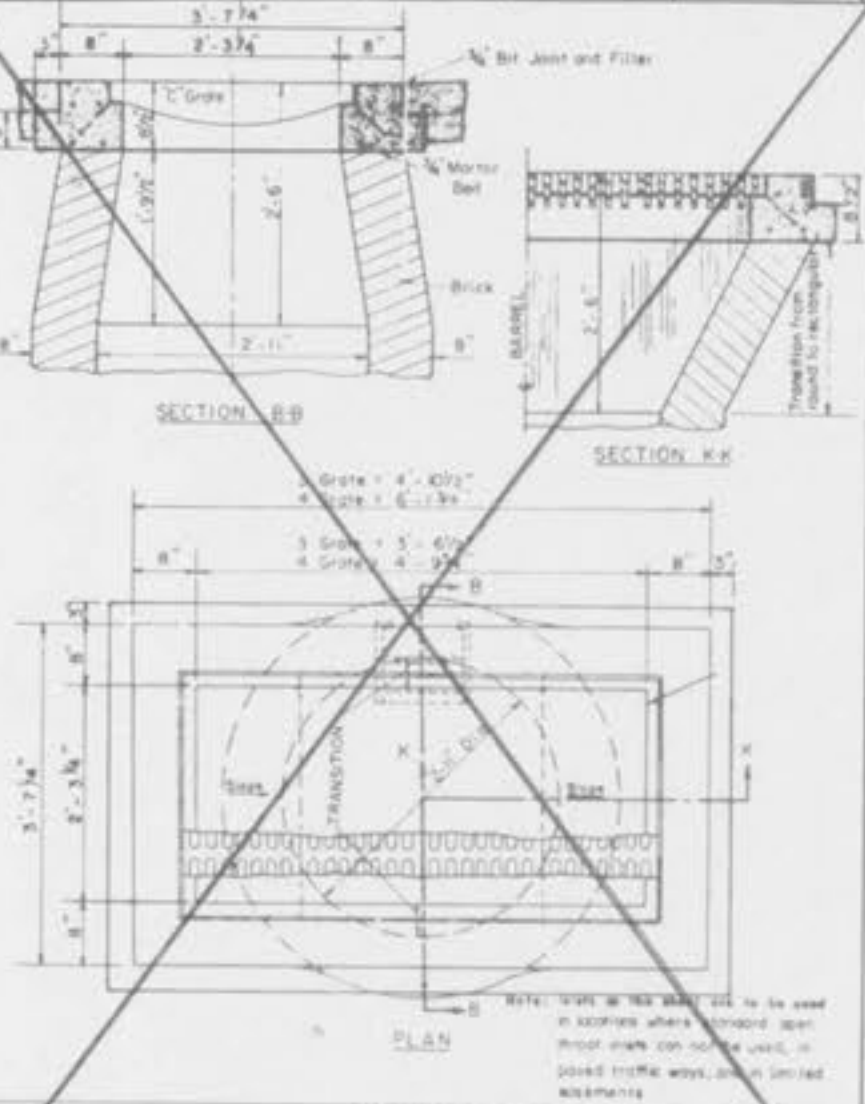
PRE-CAST CONCRETE MANHOLE FOR SEWERS 8" THROUGH 12"  
 METROPOLITAN ST. LOUIS SEWER DISTRICT  
 Standard Details of Sewer Construction  
 Dr. J.V.N. CA. J.C.K. APRIL 1984 Sheet 19



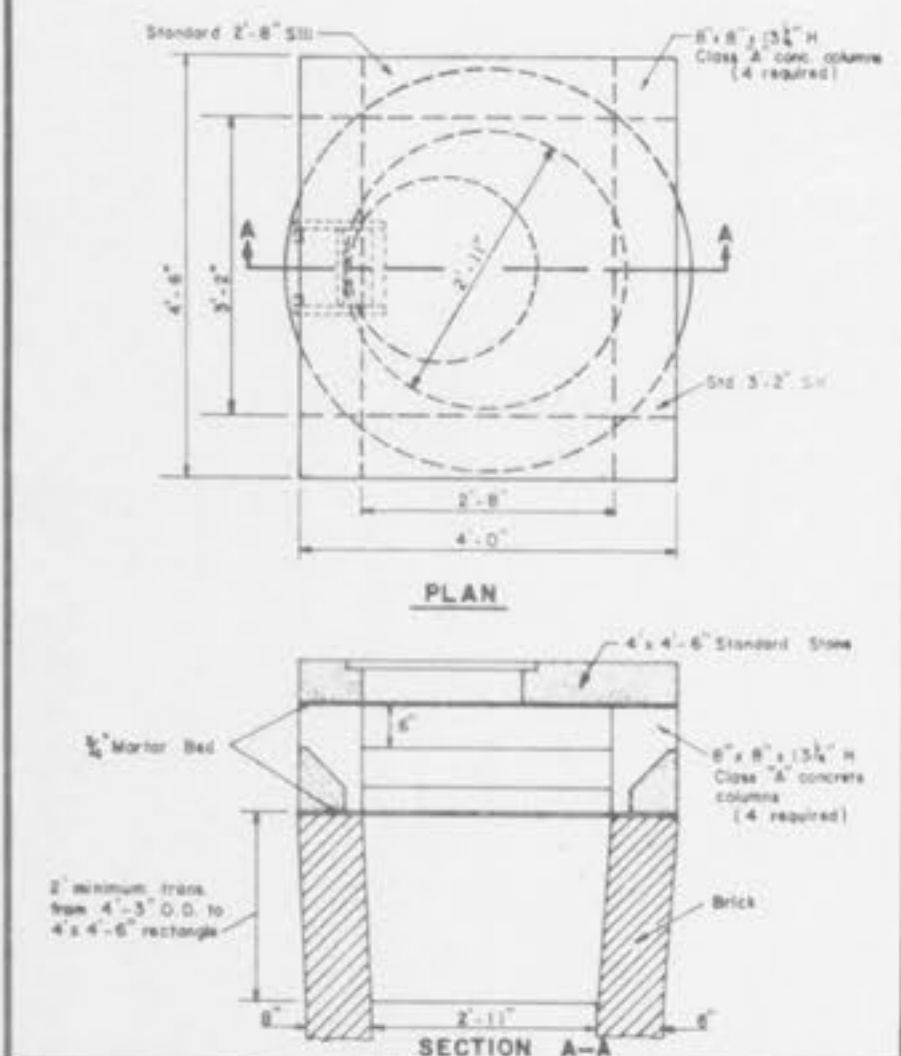
UNTRAPPED STREET INLET BRICK CONSTRUCTION  
 METROPOLITAN ST. LOUIS SEWER DISTRICT  
 Standard Details of Sewer Construction  
 Dr. J.V.N. CA. J.C.K. APRIL 1979 Sheet 20



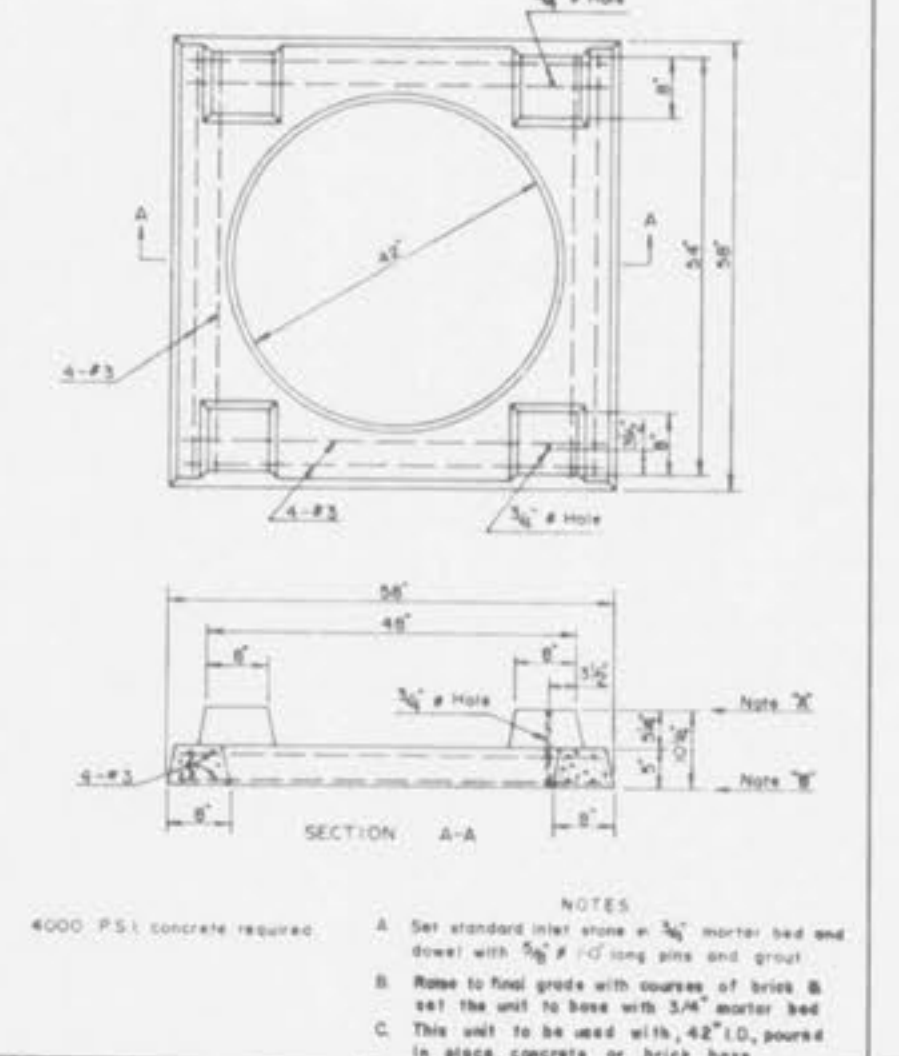
PRE-CAST CONCRETE UNIT FOR SINGLE CURB INLET  
 METROPOLITAN ST. LOUIS SEWER DISTRICT  
 Standard Details of Sewer Construction  
 Dr. J.V.N. CA. J.C.K. APRIL 1984 Sheet 22



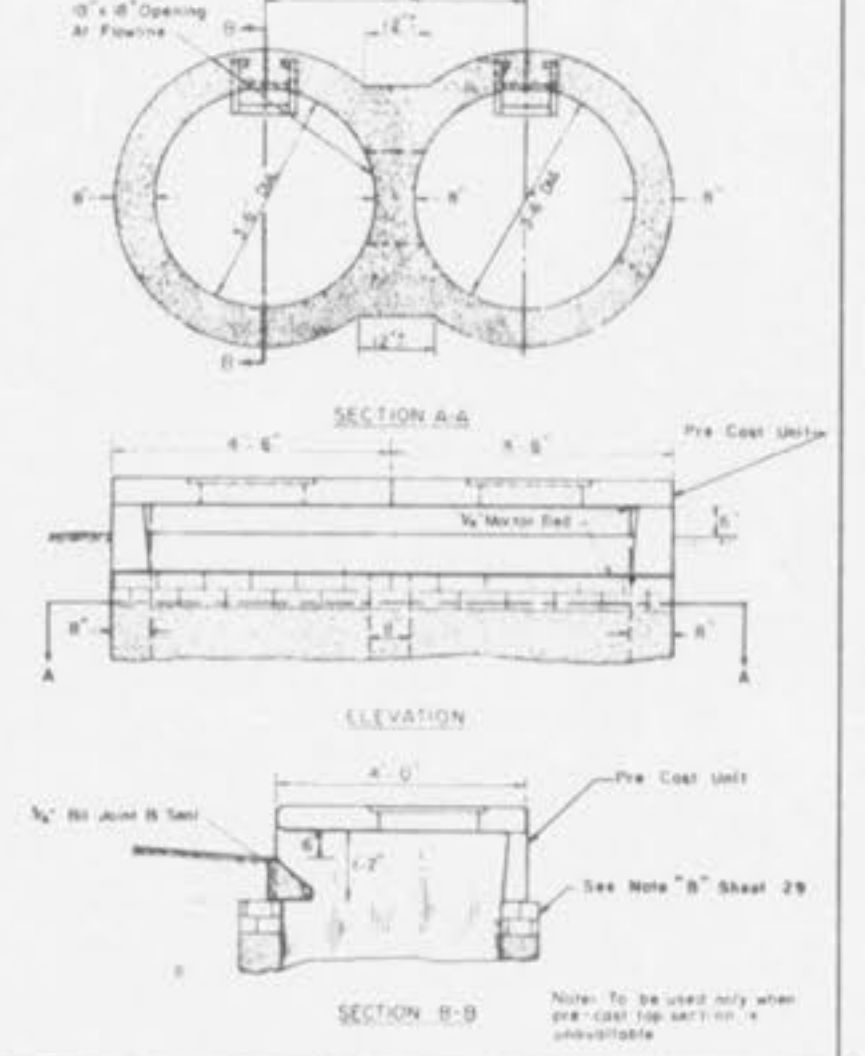
3/4 GRATE INLET  
 METROPOLITAN ST. LOUIS SEWER DISTRICT  
 Standard Details of Sewer Construction  
 Dr. J.V.N. CA. J.C.K. JUNE 1984 Sheet 36



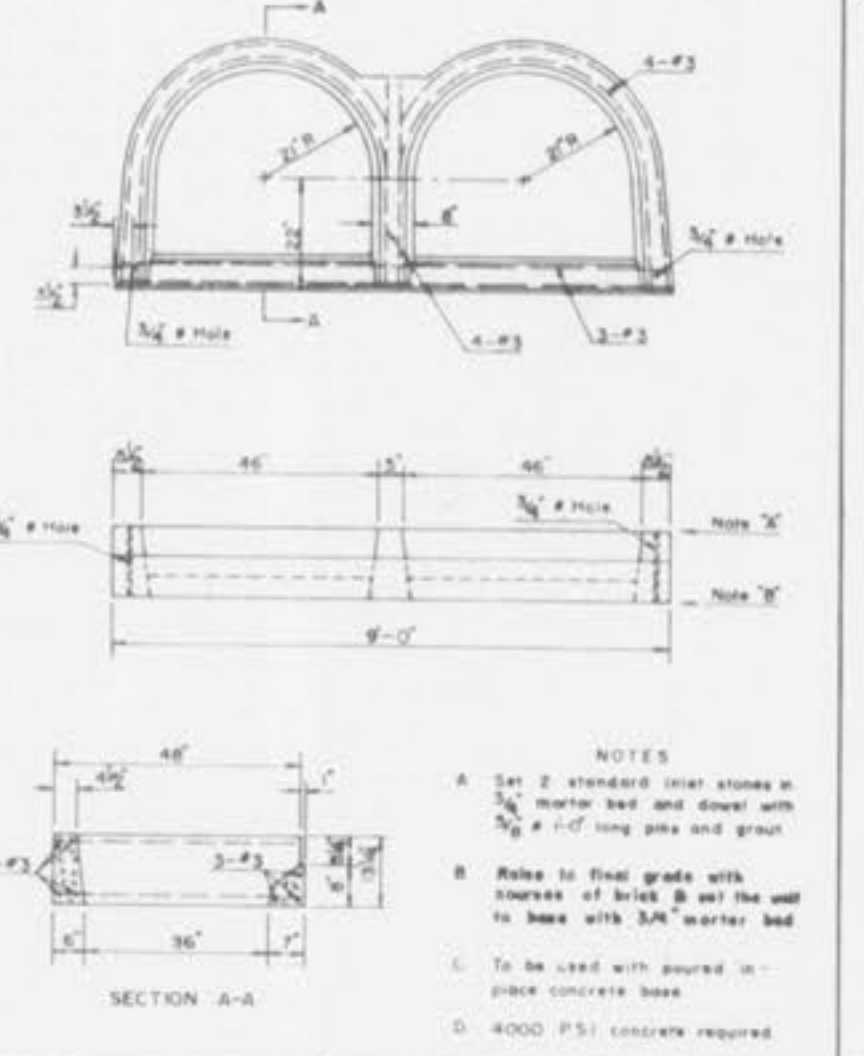
BRICK AREA INLET OPEN 4 SIDES  
 METROPOLITAN ST. LOUIS SEWER DISTRICT  
 Standard Details of Sewer Construction  
 Dr. R.N. CA. J.H.S. April 1979 Sheet 23



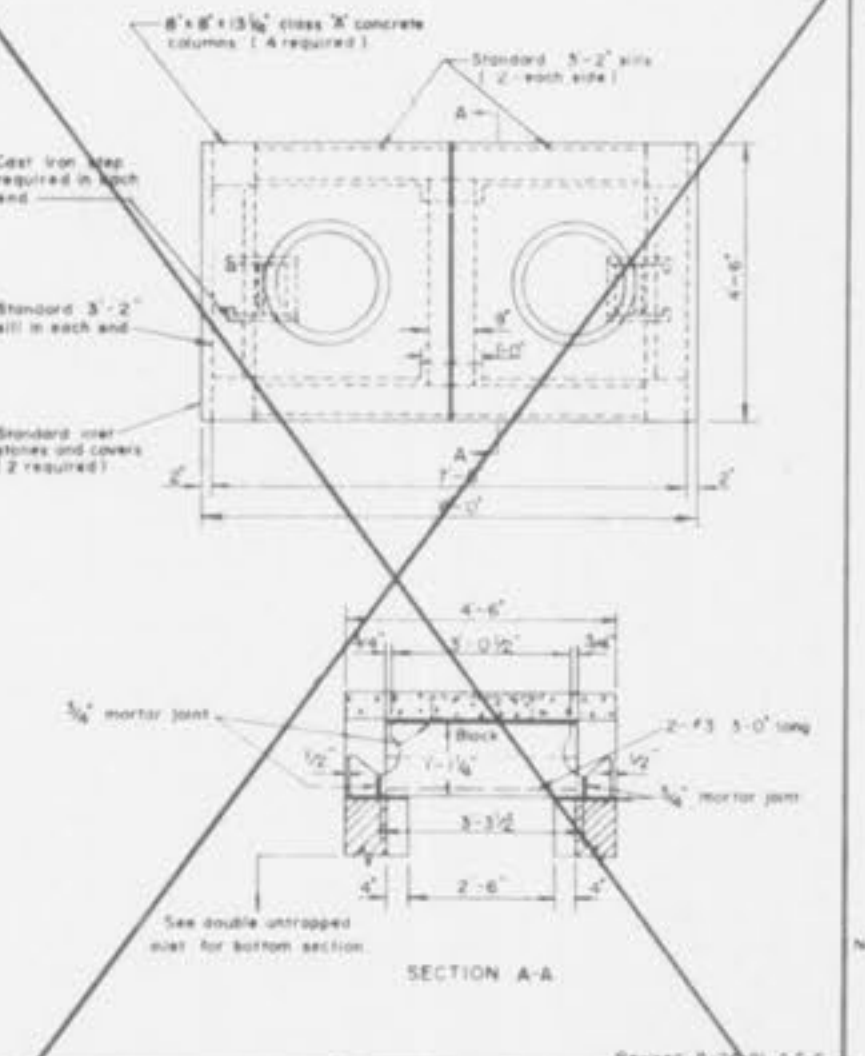
PRE-CAST CONCRETE UNIT FOR 4 WAY AREA INLET  
 METROPOLITAN ST. LOUIS SEWER DISTRICT  
 Standard Details of Sewer Construction  
 Dr. R.N. CA. J.H.S. April 1979 Sheet 25



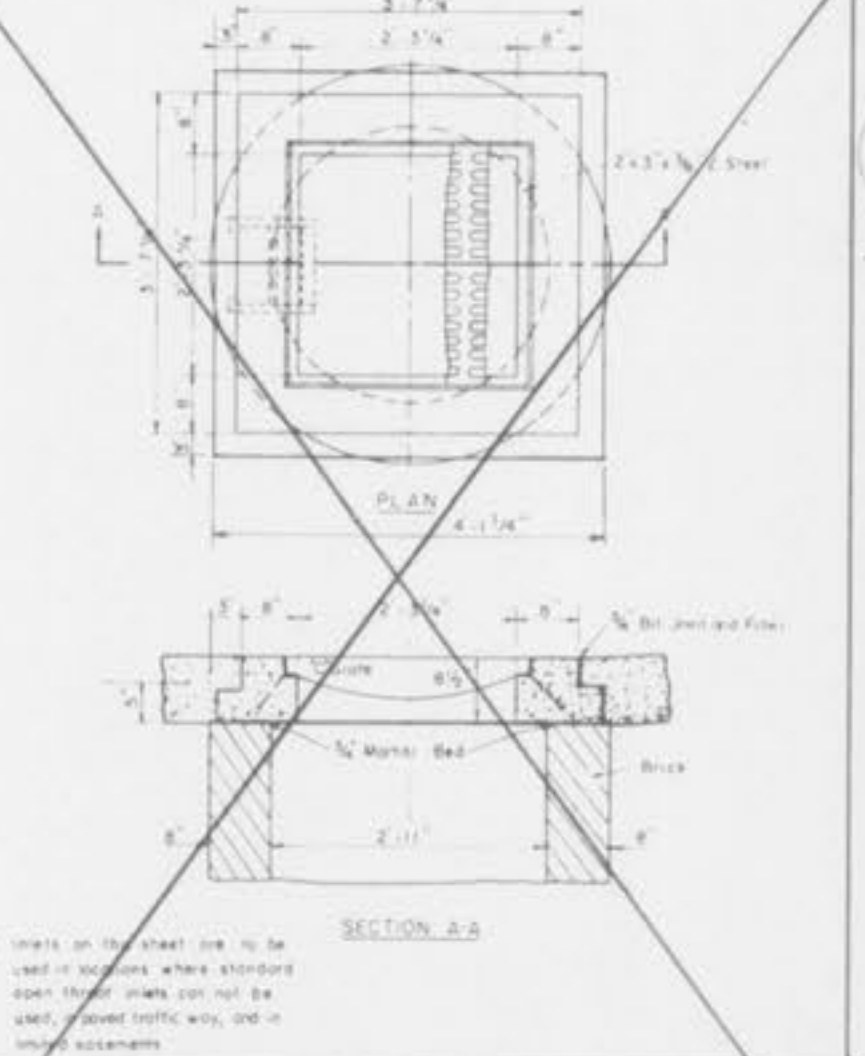
CONCRETE DOUBLE STREET INLET W/PRE CAST TOP UNIT  
 METROPOLITAN ST. LOUIS SEWER DISTRICT  
 Standard Details of Sewer Construction  
 Dr. R.N. CA. J.H.S. June 1984 Sheet 26



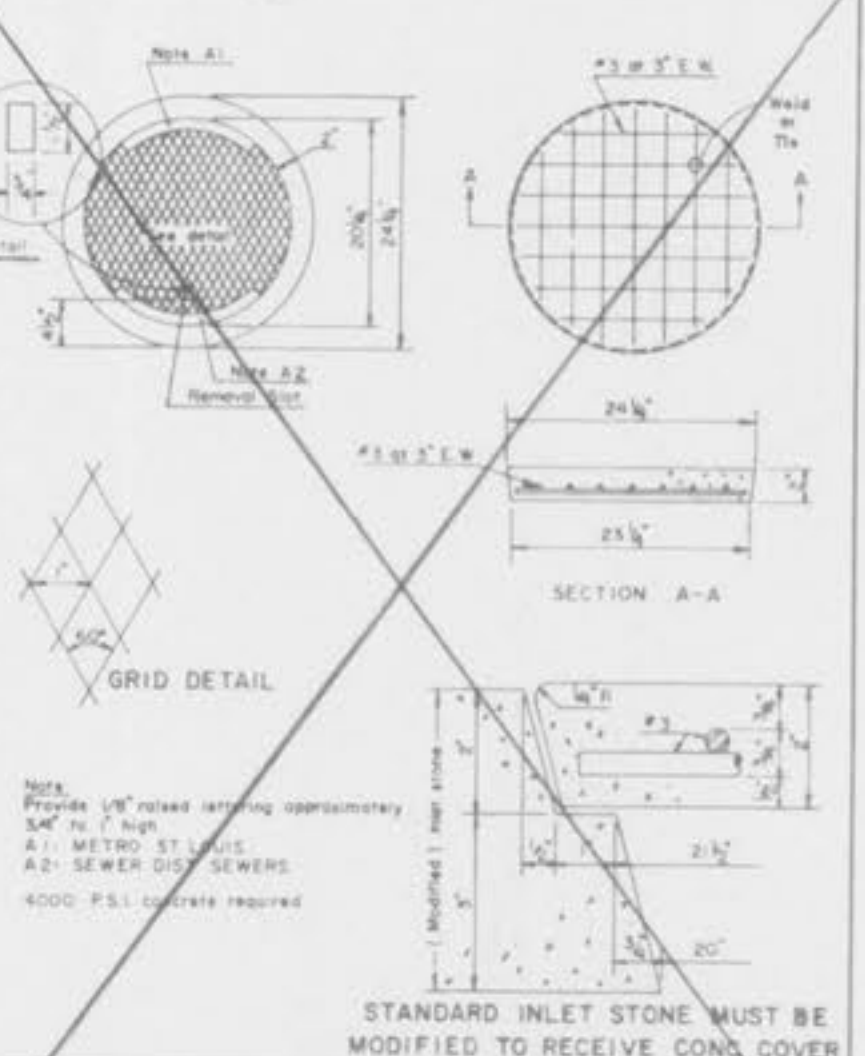
PRE-CAST CONCRETE UNIT FOR DOUBLE CURB INLET (WITH CONCRETE BASE)  
 METROPOLITAN ST. LOUIS SEWER DISTRICT  
 Standard Details of Sewer Construction  
 Dr. R.N. CA. J.H.S. April 1979 Sheet 29



DOUBLE AREA INLET OPEN 4 SIDES  
 METROPOLITAN ST. LOUIS SEWER DISTRICT  
 Standard Details of Sewer Construction  
 Dr. R.N. CA. J.H.S. April 1979 Sheet 31



2 GRATE INLET  
 METROPOLITAN ST. LOUIS SEWER DISTRICT  
 Standard Details of Sewer Construction  
 Dr. R.N. CA. J.H.S. June 1984 Sheet 34



PRE-CAST CONCRETE INLET COVER  
 METROPOLITAN ST. LOUIS SEWER DISTRICT  
 Standard Details of Sewer Construction  
 Dr. R.N. CA. J.H.S. April 1979 Sheet 39