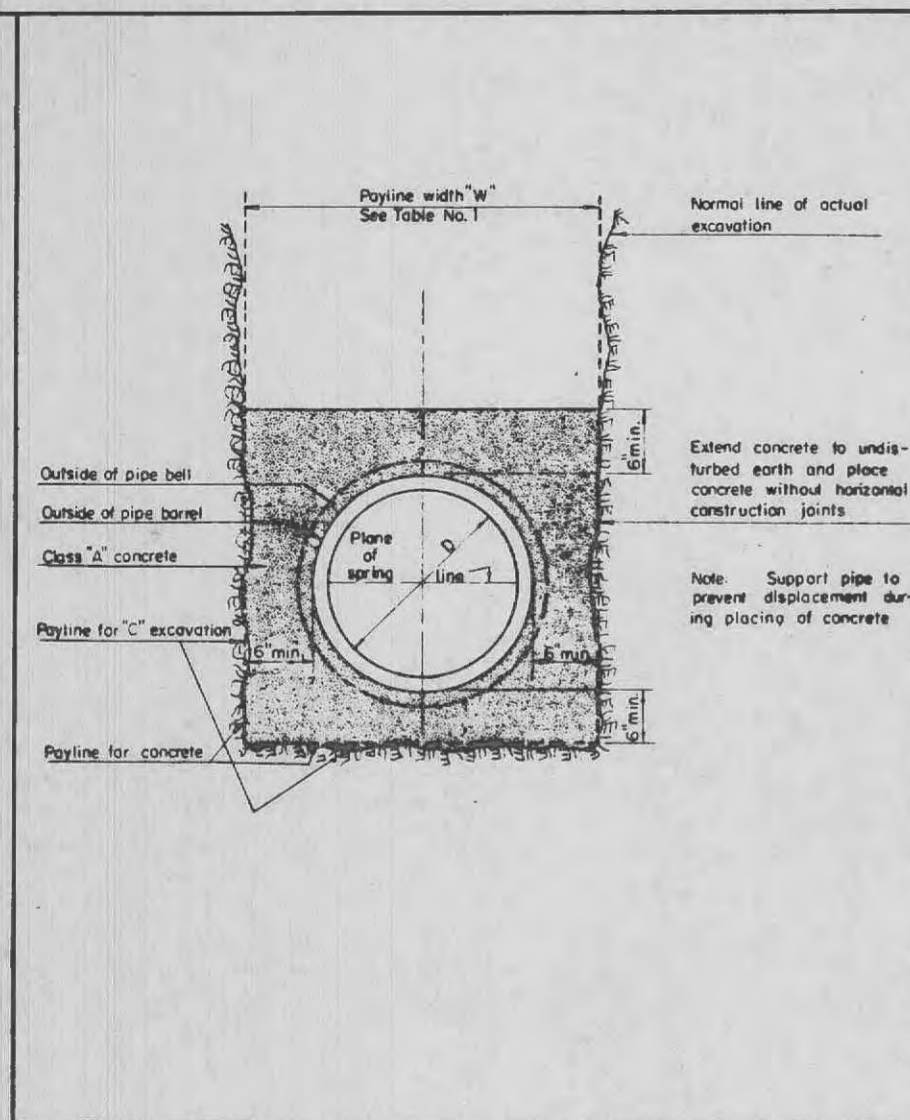
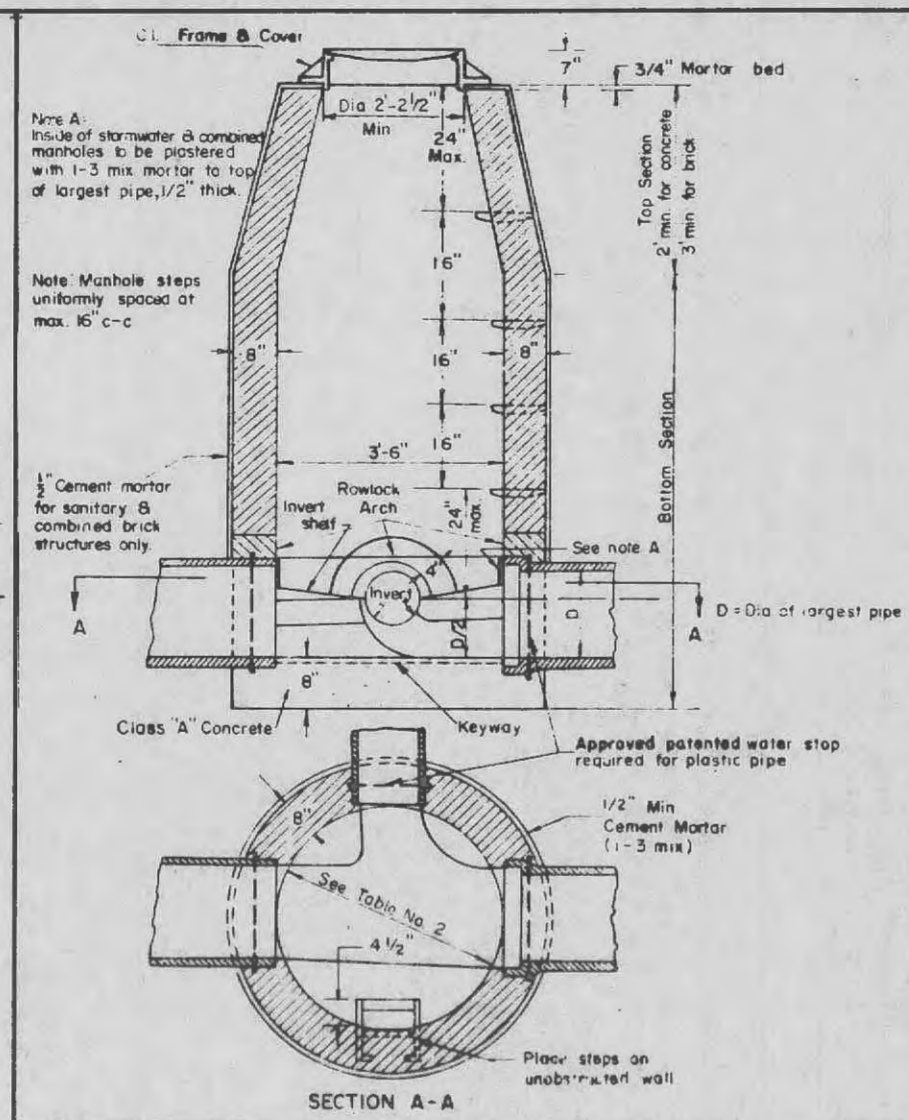


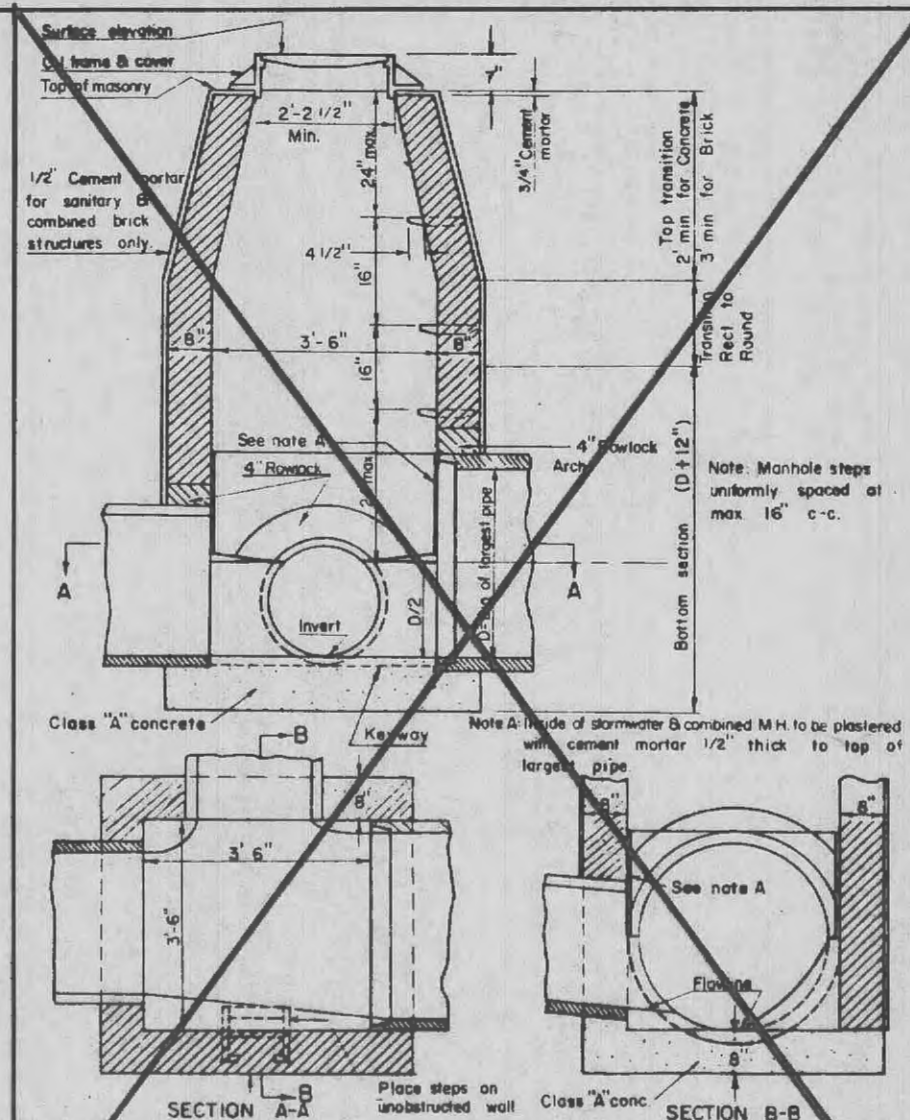
PIPE BEDDING CLASS "C" (MODIFIED FOR REINFORCED CONCRETE PIPE)
 METROPOLITAN ST. LOUIS SEWER DISTRICT
 Standard Details of Sewer Construction
 Dr. J.V.M. Ch. J.C.K. April 1984 Sheet 4



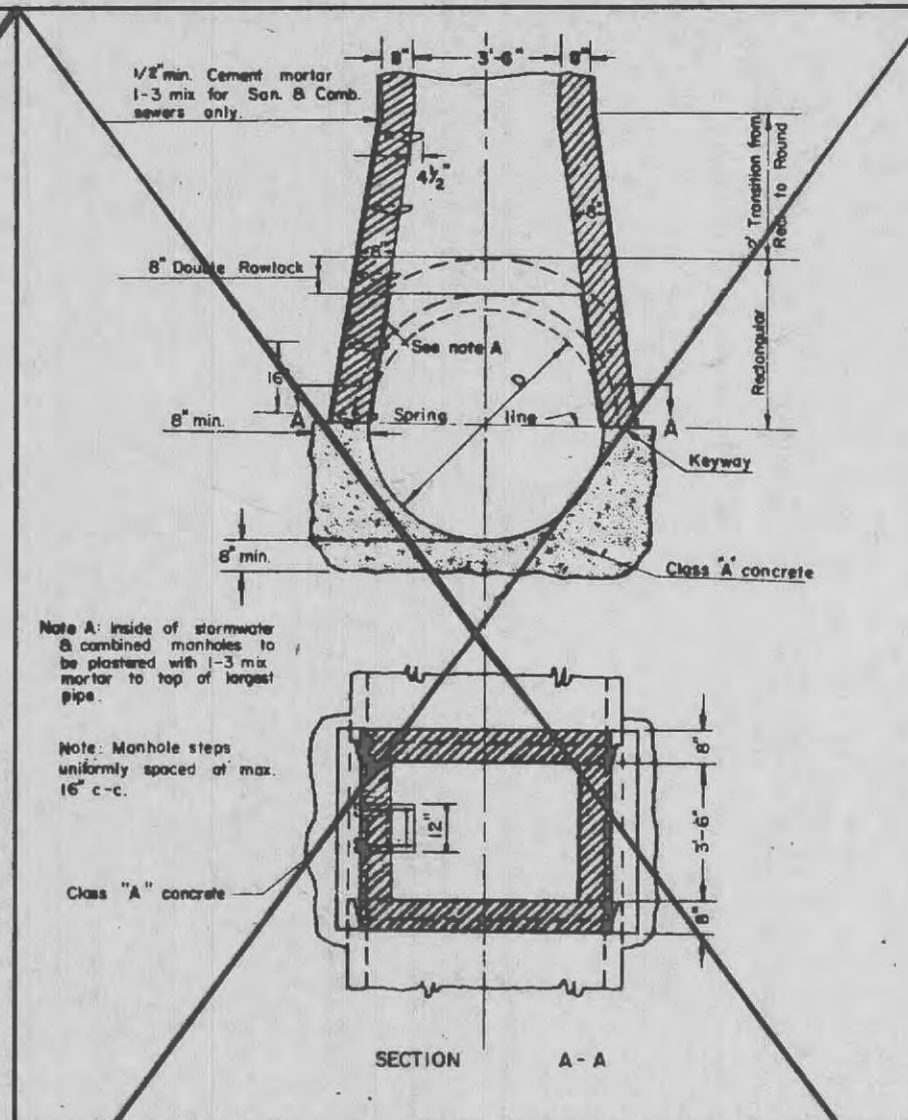
CONCRETE ENCASUREMENT
 METROPOLITAN ST. LOUIS SEWER DISTRICT
 Standard Details of Sewer Construction
 Dr. J.V.M. Ch. J.C.K. April 1984 Sheet 5



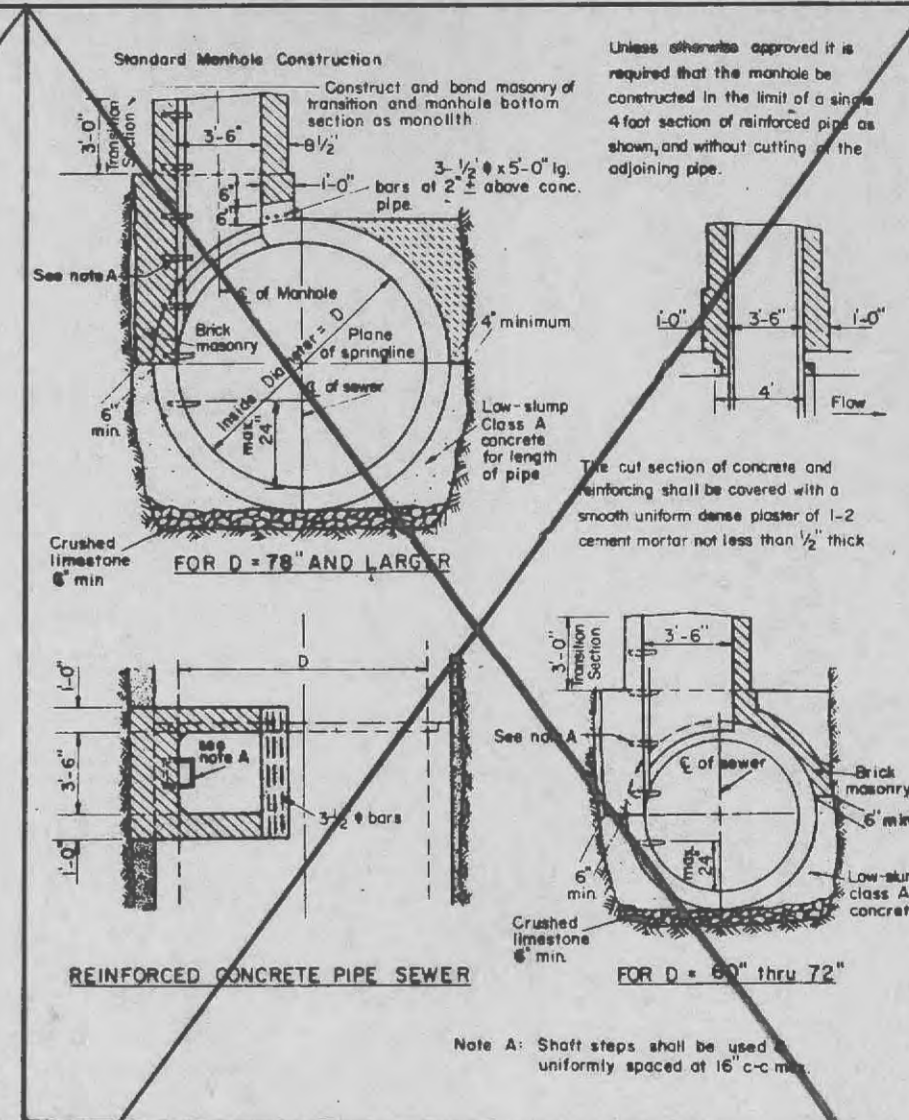
LINE MANHOLE
 PIPE SEWERS 8"-24" DIA.
 METROPOLITAN ST. LOUIS SEWER DISTRICT
 Standard Details of Sewer Construction
 Dr. J.V.M. Ch. J.C.K. April 1984 Sheet 8



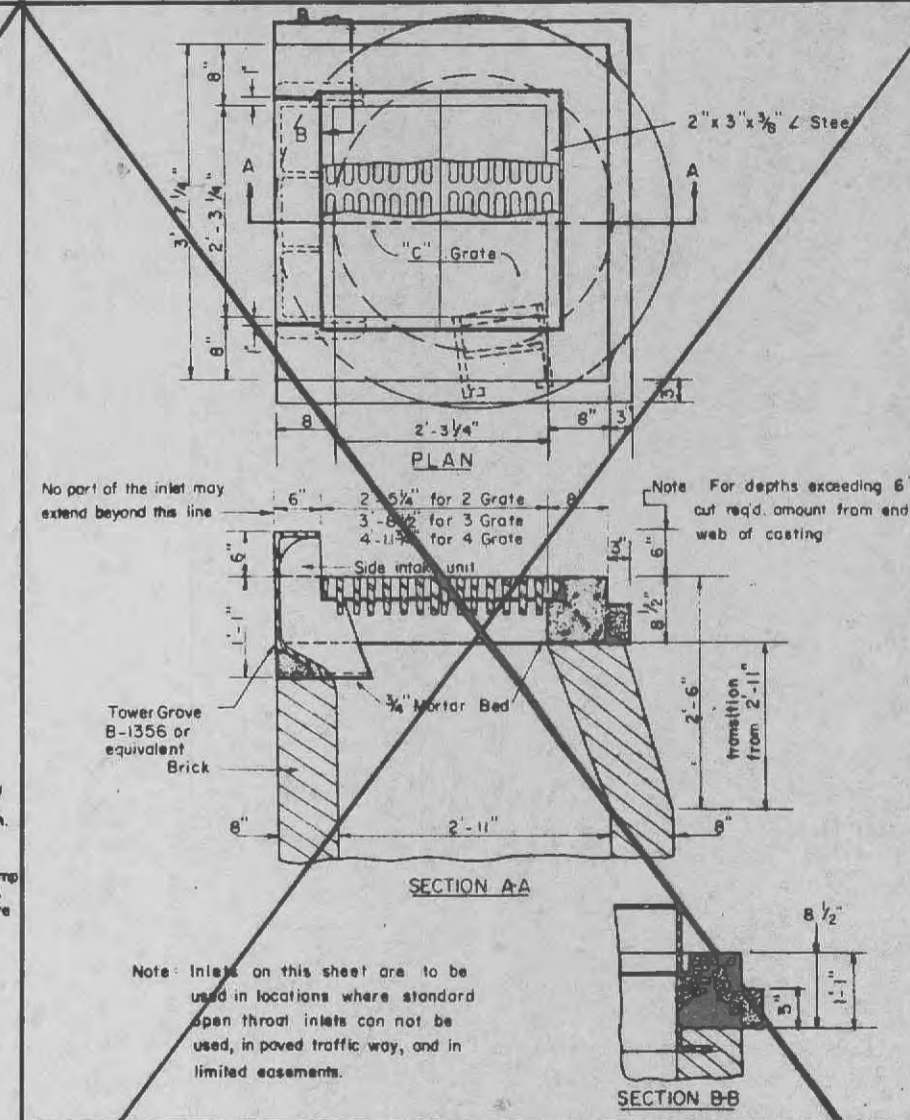
TYPICAL LINE MANHOLE
 ON PIPE SEWER 27" THRU
 36" IN DIAMETER
 METROPOLITAN ST. LOUIS SEWER DISTRICT
 Standard Details of Sewer Construction
 Dr. A.M.T. Ch. J.C.K. April 1979 Sheet 9



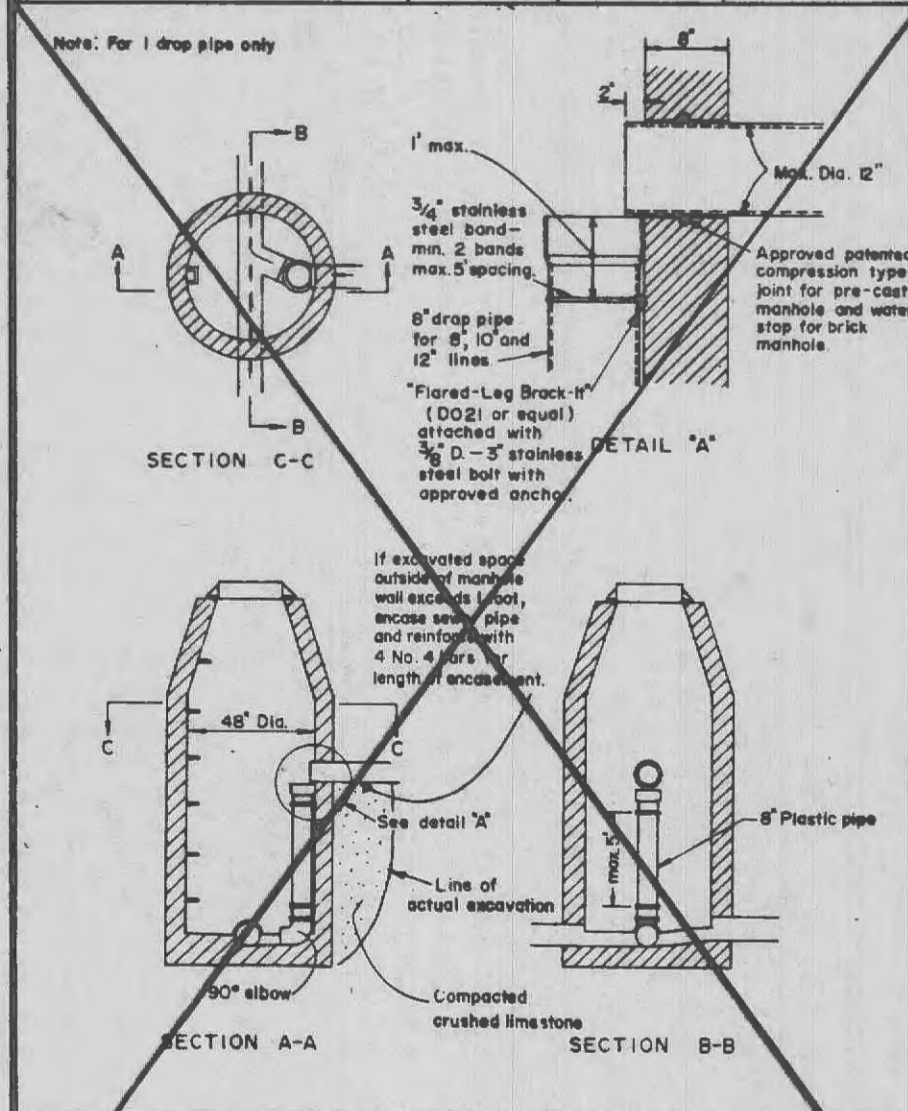
MANHOLE ON CONCRETE PIPE
 SEWERS 36" THRU 54" DIAMETER
 METROPOLITAN ST. LOUIS SEWER DISTRICT
 Standard Details of Sewer Construction
 Dr. A.M.T. Ch. J.C.K. April 1979 Sheet 11



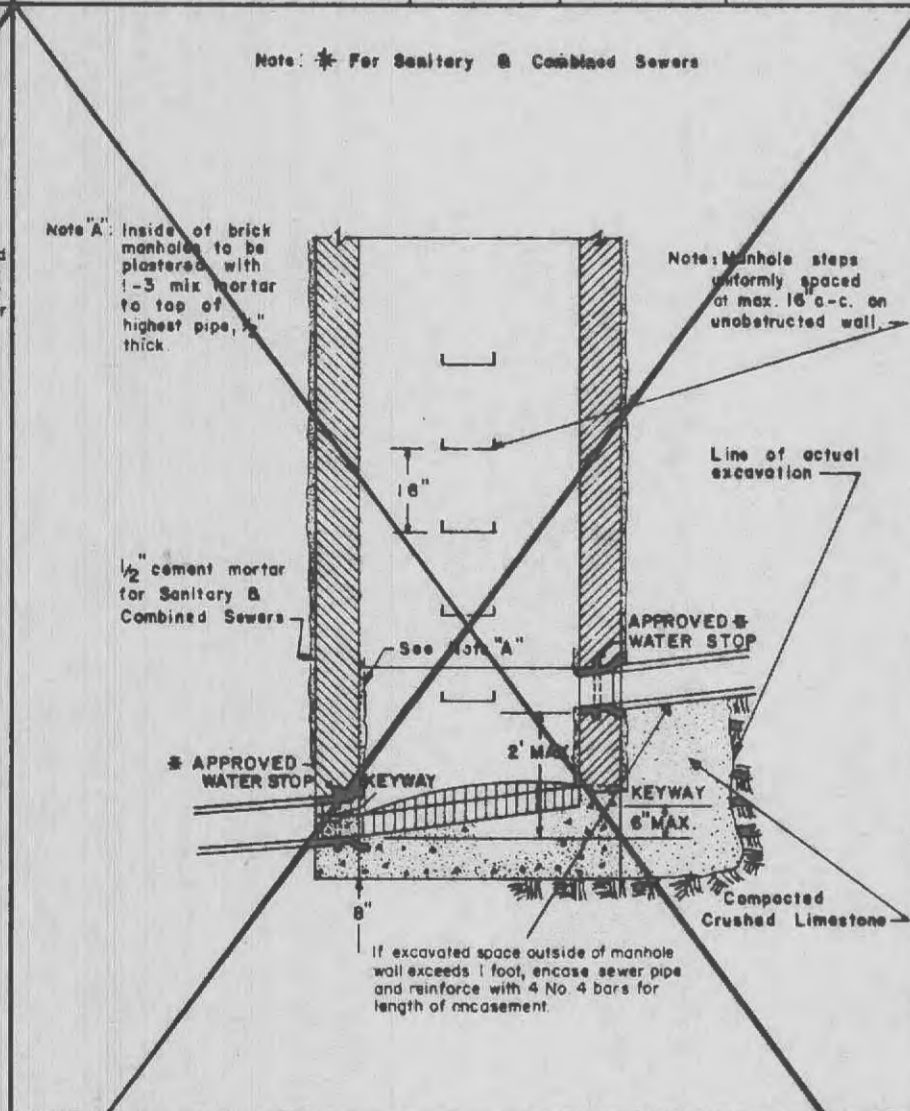
TYPICAL MANHOLE BASE
 REINFORCED CONCRETE PIPE
 SEWERS 60" AND LARGER
 IN DIAMETER
 METROPOLITAN ST. LOUIS SEWER DISTRICT
 Standard Details of Sewer Construction
 Dr. R.P.P. Ch. J.C.K. April 1984 Sheet 13



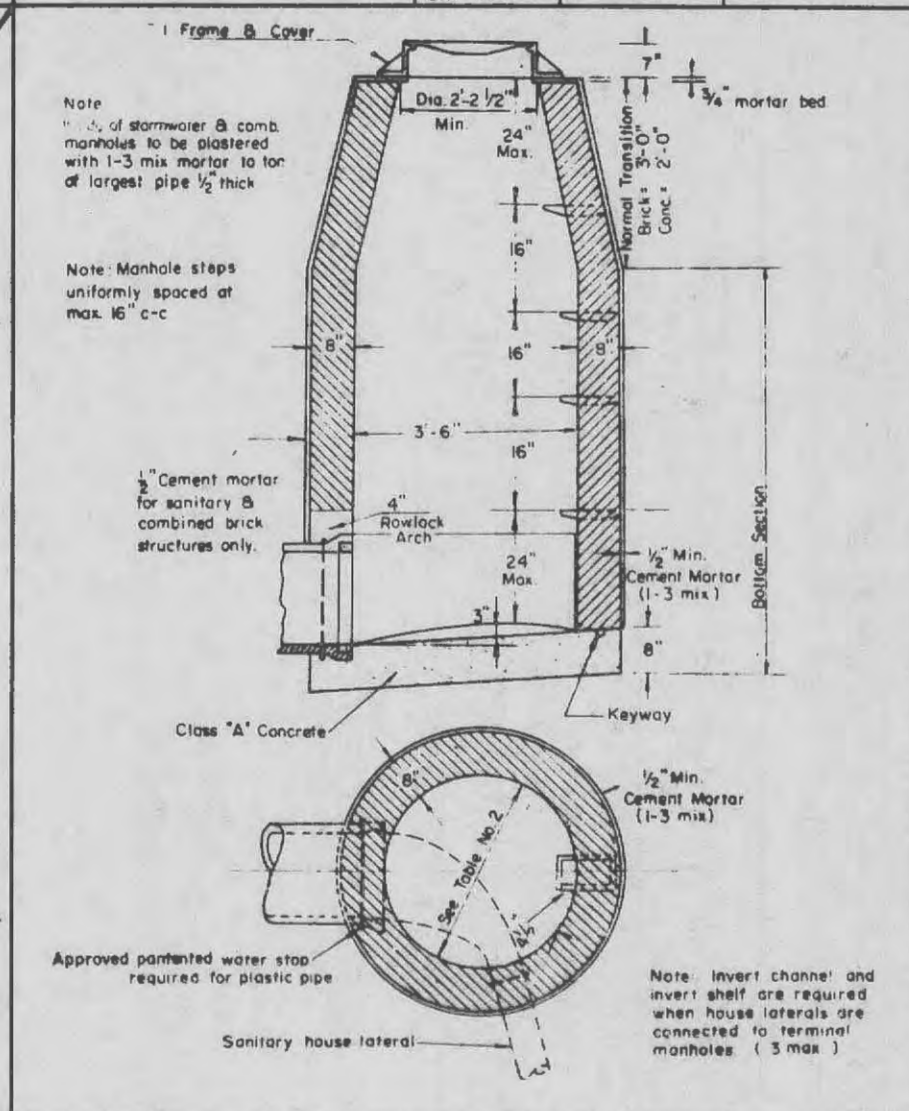
2 GRATE INLET WITH
 SIDE INTAKE UNIT
 METROPOLITAN ST. LOUIS SEWER DISTRICT
 Standard Details of Sewer Construction
 Dr. R.P.P. Ch. J.H.S. June 1984 Sheet 35



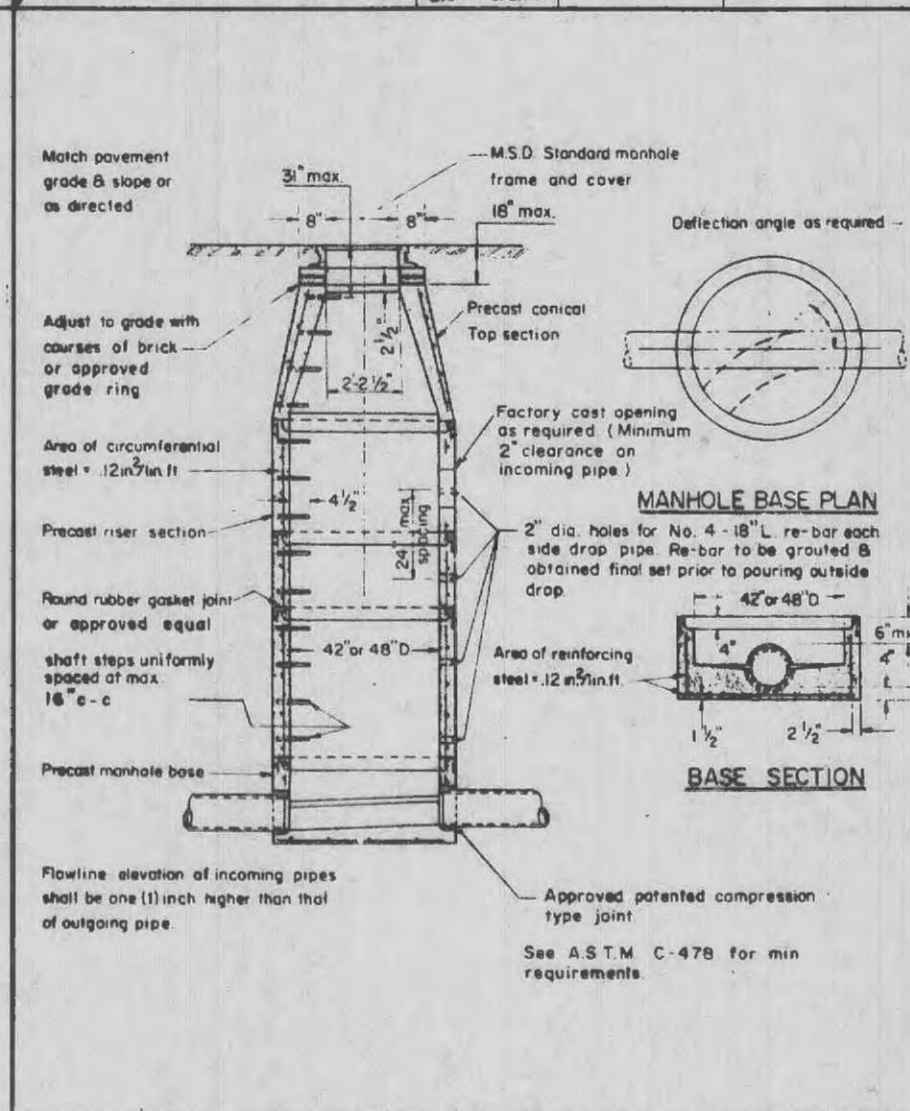
FOUL WATER MANHOLE
 FOR PLASTIC PIPE
 METROPOLITAN ST. LOUIS SEWER DISTRICT
 Standard Details of Sewer Construction
 Dr. R.N. Ch. J.C.K. FEB 1984 Sheet 16



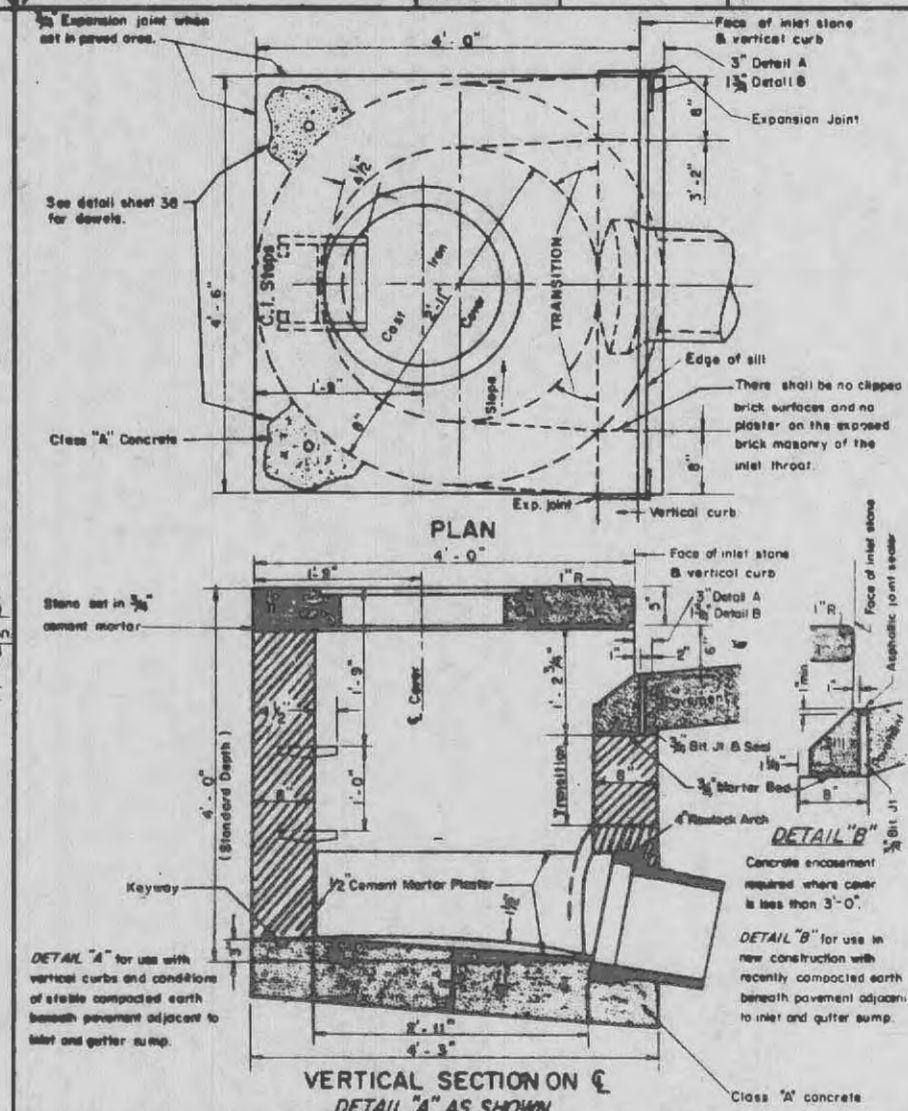
INSIDE DROP
 (8" Thru 24" Dia. Pipe)
 METROPOLITAN ST. LOUIS SEWER DISTRICT
 Standard Details of Sewer Construction
 Dr. S.A.M. Ch. J.C.K. JUNE 1984 Sheet 17



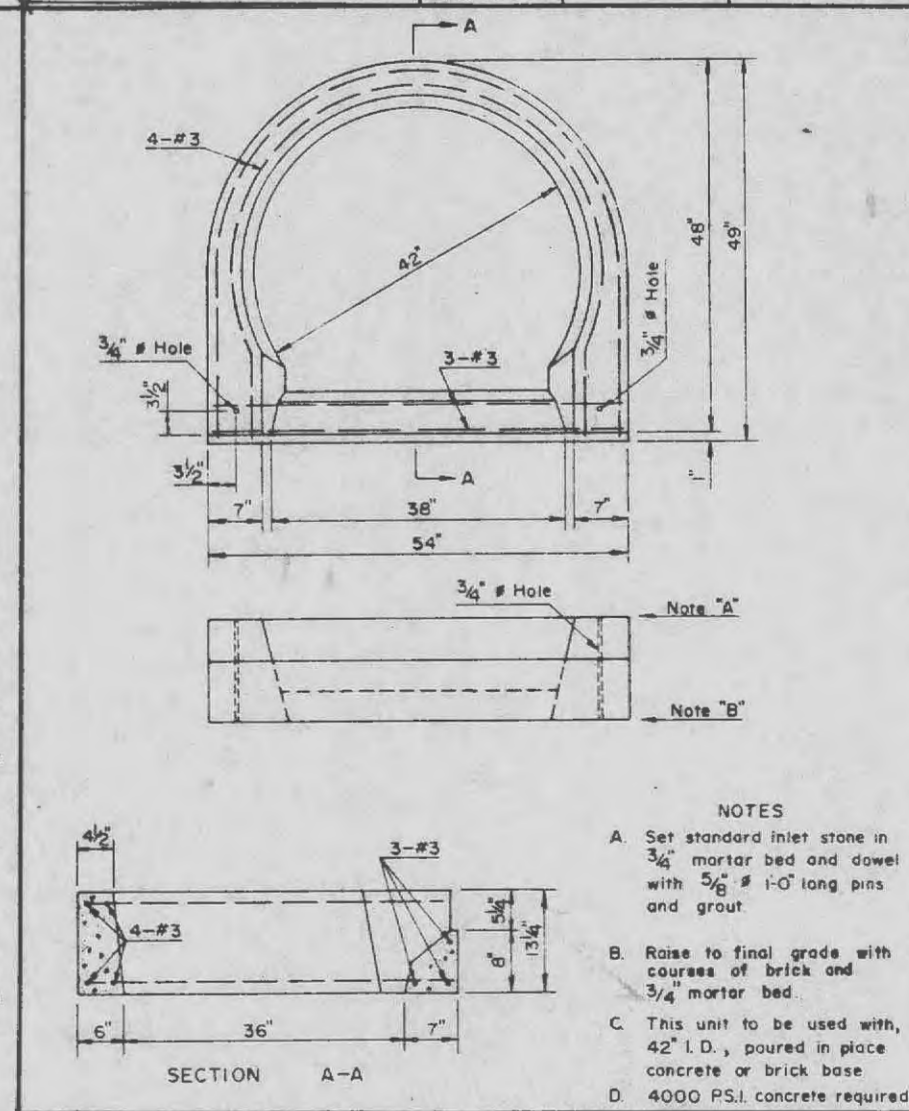
TERMINAL MANHOLE
 METROPOLITAN ST. LOUIS SEWER DISTRICT
 Standard Details of Sewer Construction
 Dr. J.V.M. Ch. J.C.K. FEB 1984 Sheet 18



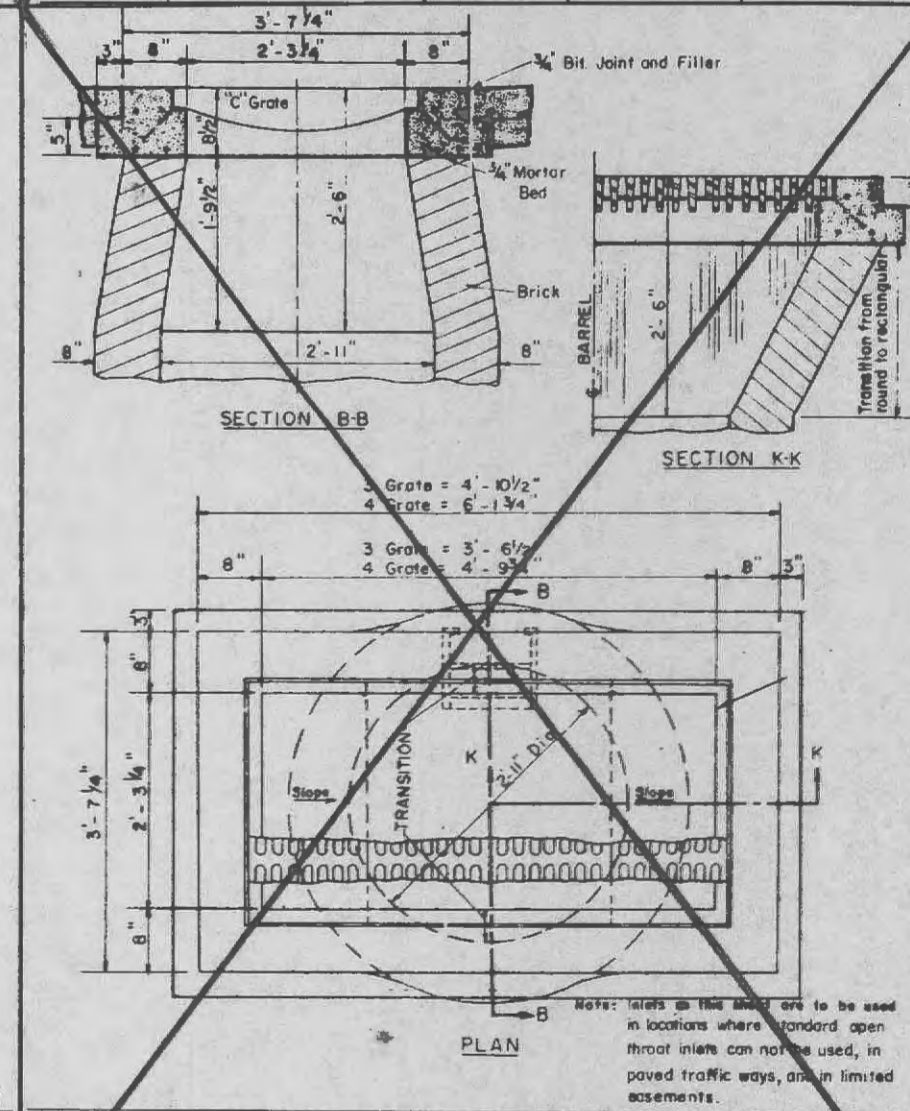
PRE-CAST CONCRETE MANHOLE
 FOR SEWERS
 6" THROUGH 12"
 METROPOLITAN ST. LOUIS SEWER DISTRICT
 Standard Details of Sewer Construction
 Dr. R.P.P. Ch. J.C.K. April 1984 Sheet 19



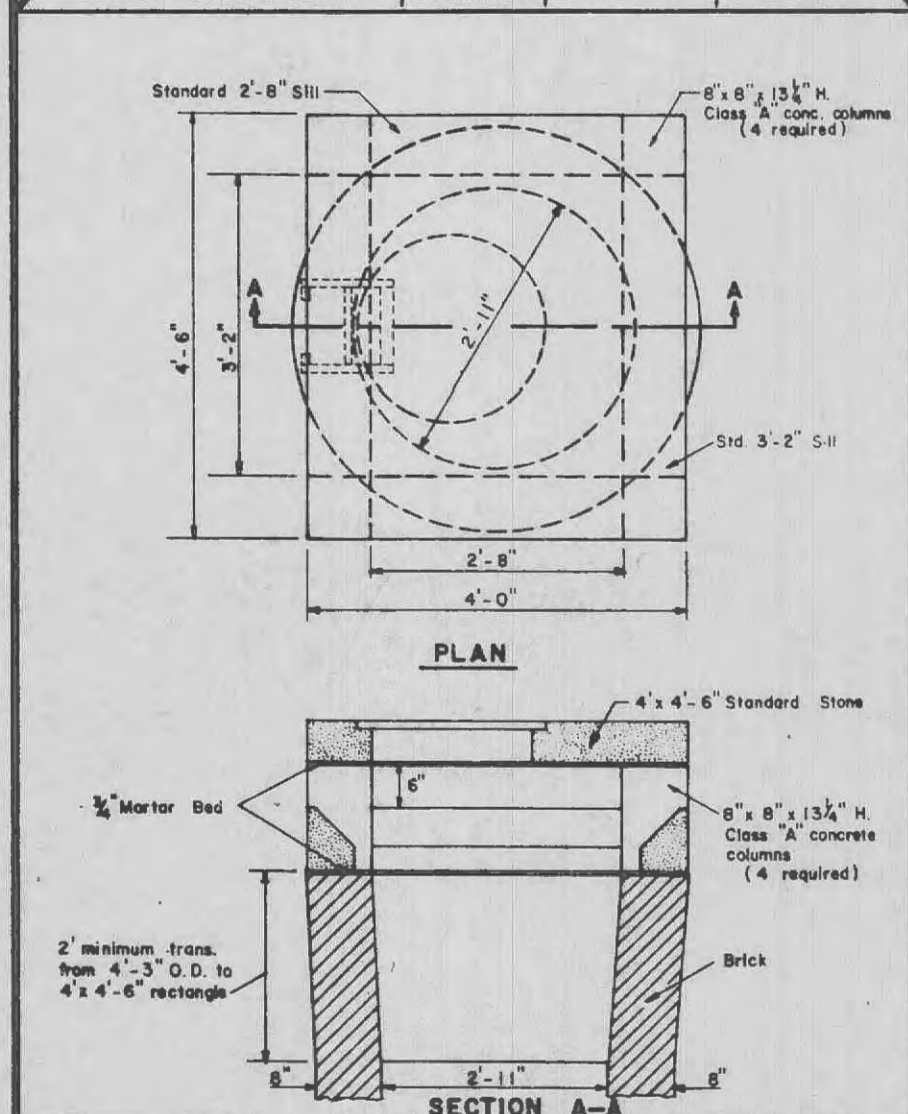
UNTRAPPED STREET INLET
 BRICK CONSTRUCTION
 METROPOLITAN ST. LOUIS SEWER DISTRICT
 Standard Details of Sewer Construction
 Dr. R.P.P. Ch. J.C.K. April 1979 Sheet 20



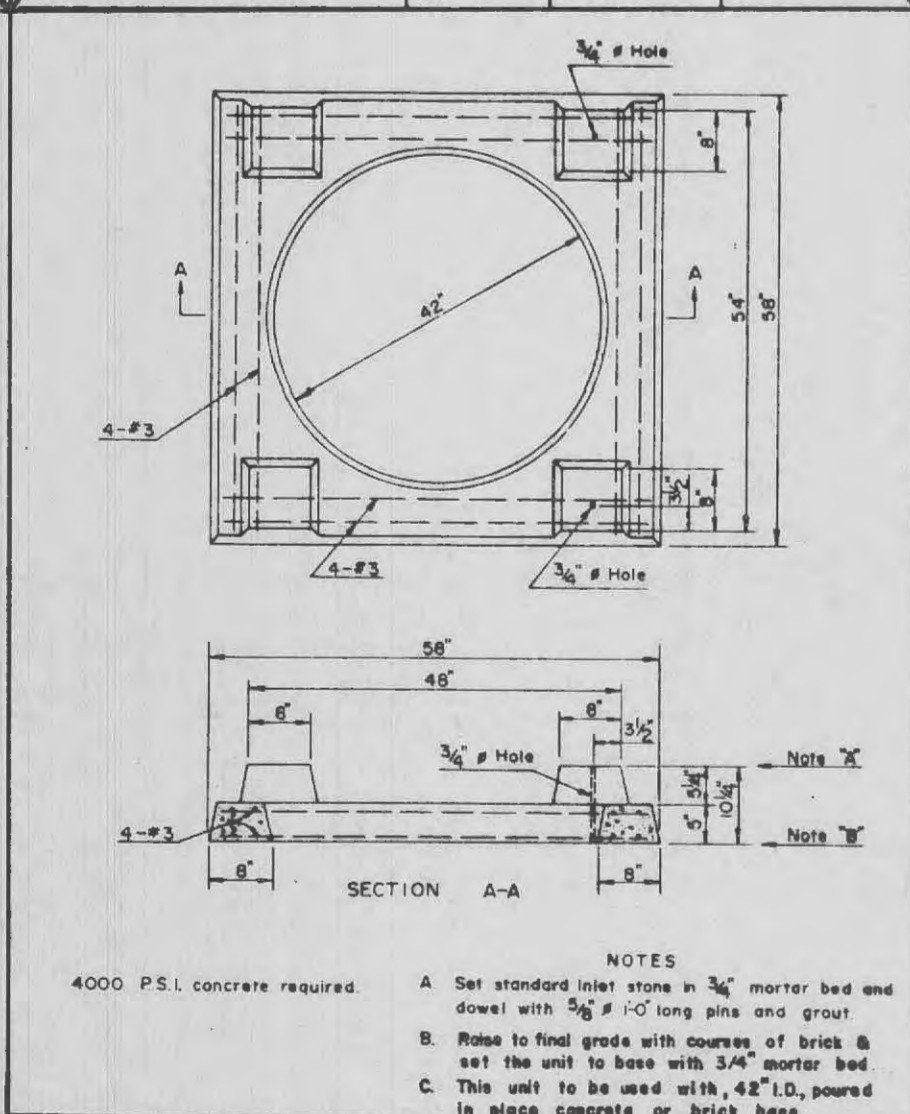
PRE-CAST CONCRETE UNIT
 FOR
 SINGLE CURB INLET
 METROPOLITAN ST. LOUIS SEWER DISTRICT
 Standard Details of Sewer Construction
 Dr. R.N. Ch. J.C.K. APRIL 1984 Sheet 22



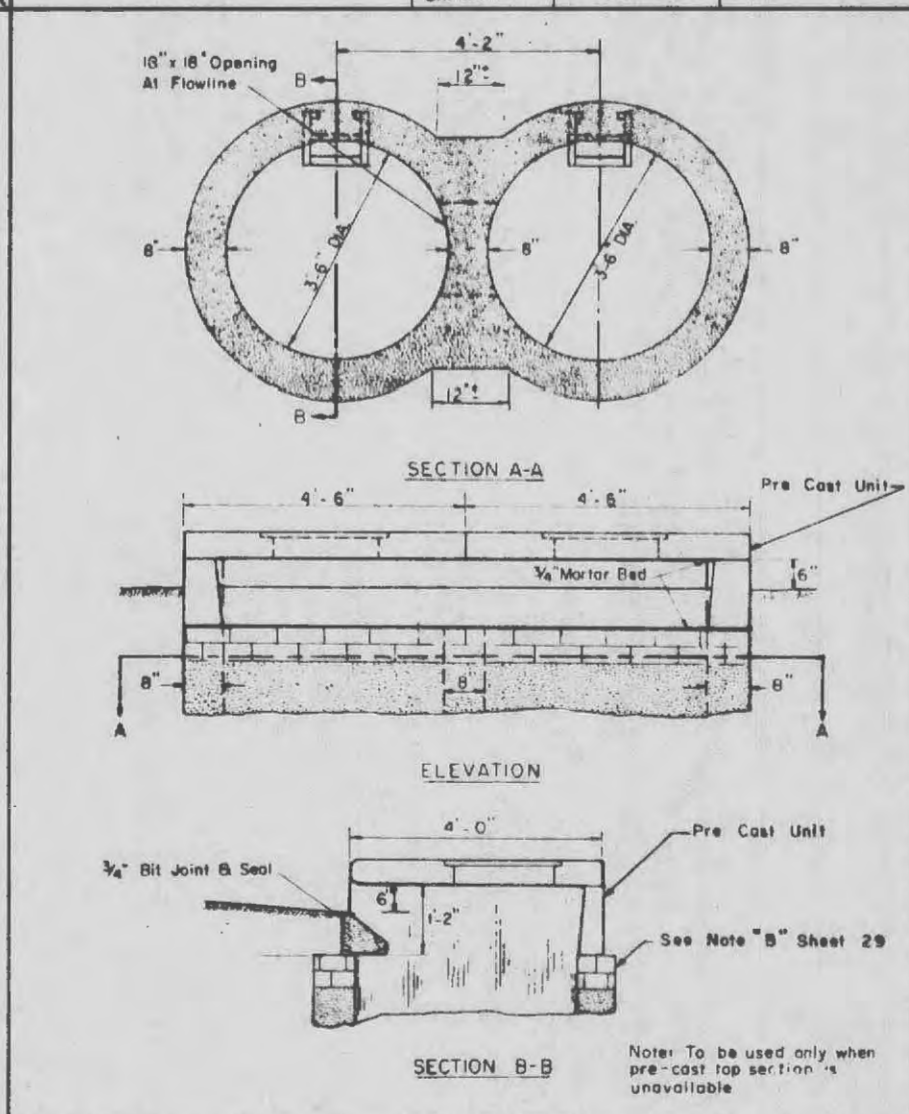
3/4 GRATE INLET
 METROPOLITAN ST. LOUIS SEWER DISTRICT
 Standard Details of Sewer Construction
 Dr. R.P.P. Ch. J.H.S. June 1984 Sheet 36



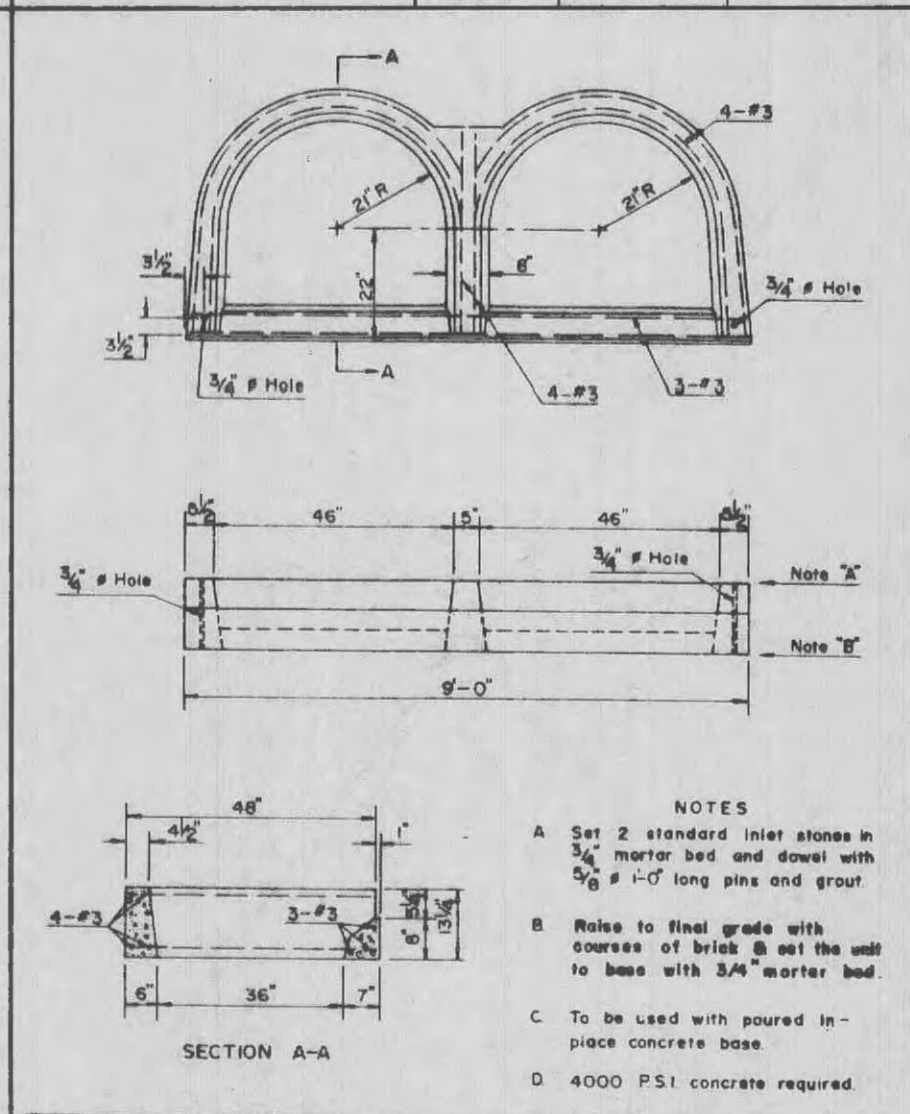
BRICK AREA INLET
 OPEN 4 SIDES
 METROPOLITAN ST. LOUIS SEWER DISTRICT
 Standard Details of Sewer Construction
 Dr. R.P.P. Ch. J.H.S. April 1973 Sheet 23



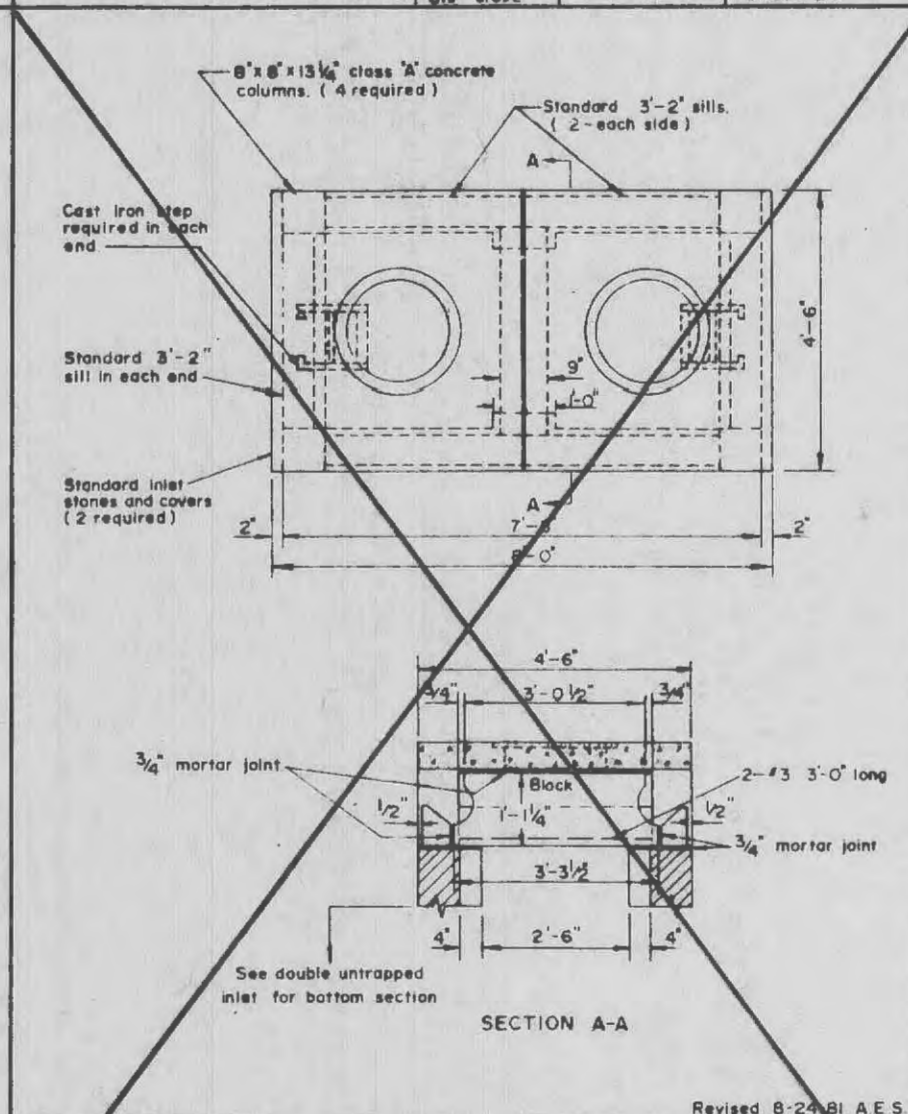
PRE-CAST CONCRETE UNIT
 FOR
 4 WAY AREA INLET
 METROPOLITAN ST. LOUIS SEWER DISTRICT
 Standard Details of Sewer Construction
 Dr. R.N. Ch. J.C.K. April 1979 Sheet 25



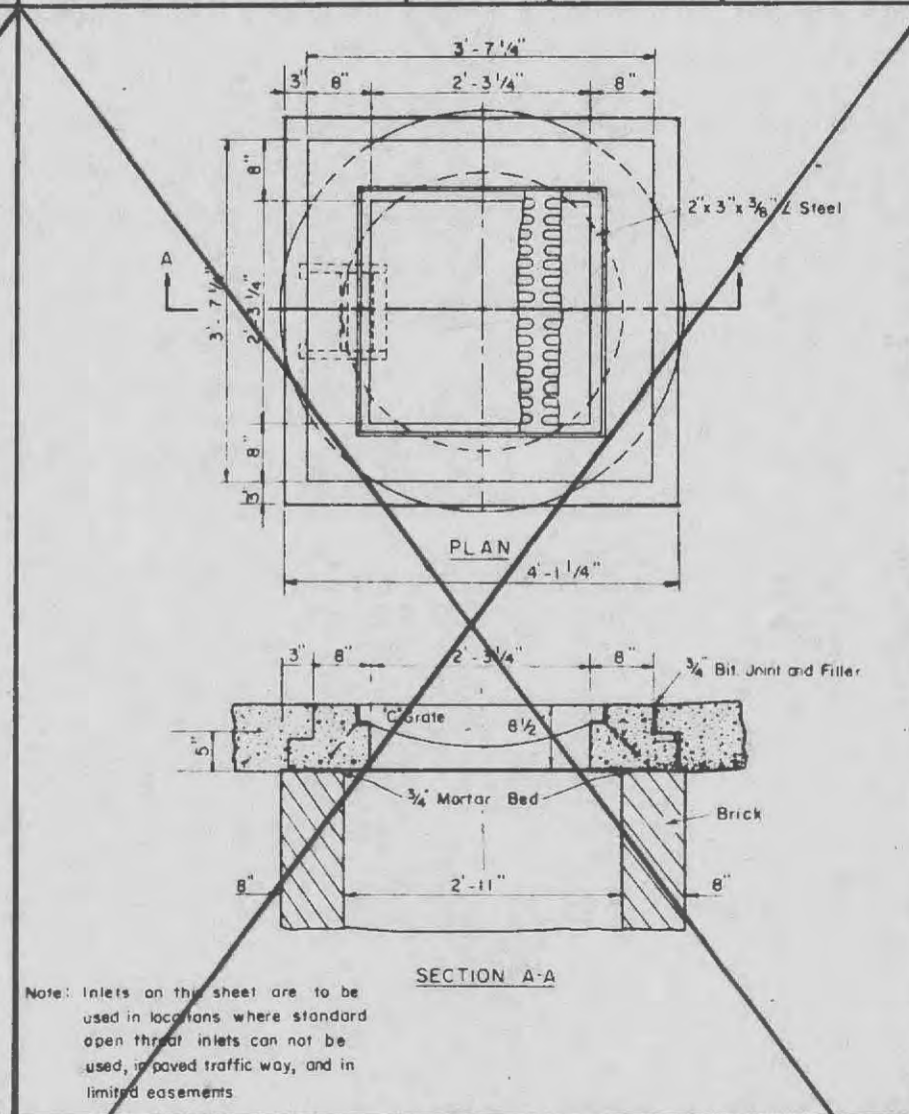
CONCRETE DOUBLE
 STREET INLET
 W/PRE CAST TOP UNIT
 METROPOLITAN ST. LOUIS SEWER DISTRICT
 Standard Details of Sewer Construction
 Dr. R.P.P. Ch. J.C.K. June 1984 Sheet 28



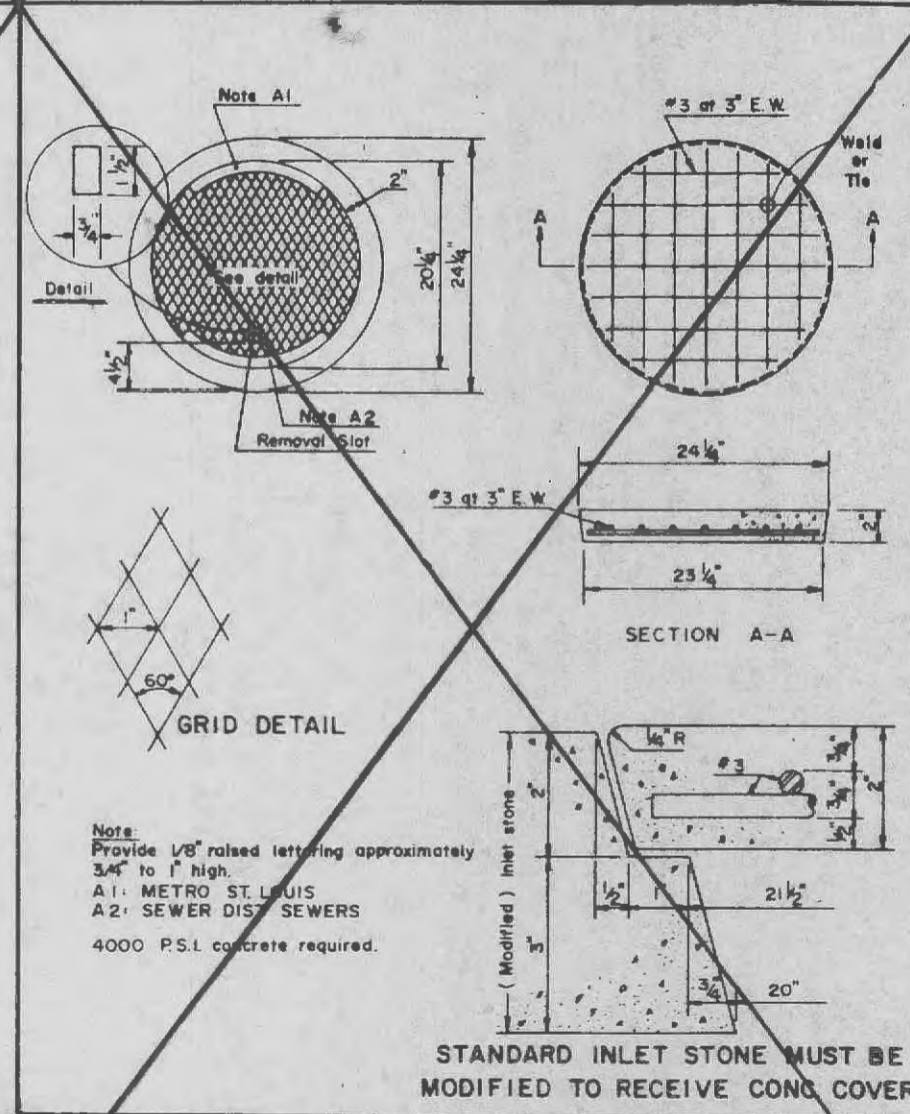
PRE-CAST CONCRETE UNIT
 FOR
 DOUBLE CURB INLET
 (WITH CONCRETE BASE)
 METROPOLITAN ST. LOUIS SEWER DISTRICT
 Standard Details of Sewer Construction
 Dr. R.N. Ch. J.C.K. April 1979 Sheet 29



DOUBLE AREA INLET
 OPEN 4 SIDES
 METROPOLITAN ST. LOUIS SEWER DISTRICT
 Standard Details of Sewer Construction
 Dr. R.N. Ch. J.C.K. April 1979 Sheet 31



2 GRATE INLET
 METROPOLITAN ST. LOUIS SEWER DISTRICT
 Standard Details of Sewer Construction
 Dr. R.P.P. Ch. J.H.S. June 1984 Sheet 34



PRE-CAST CONCRETE
 INLET COVER
 METROPOLITAN ST. LOUIS SEWER DISTRICT
 Standard Details of Sewer Construction
 Dr. R.N. Ch. J.C.K. April 1979 Sheet 39