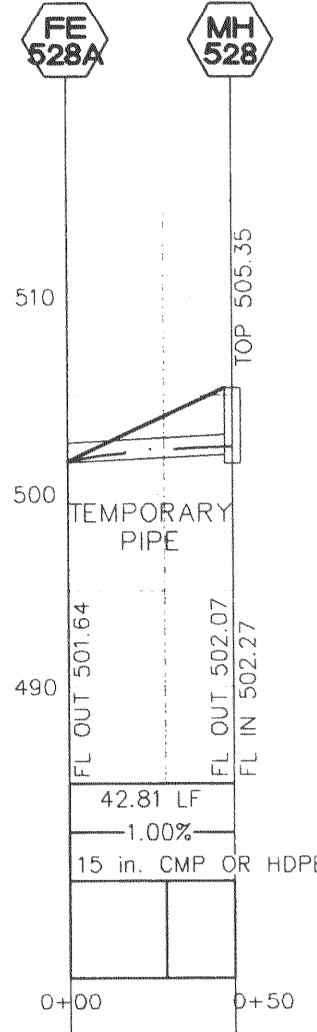
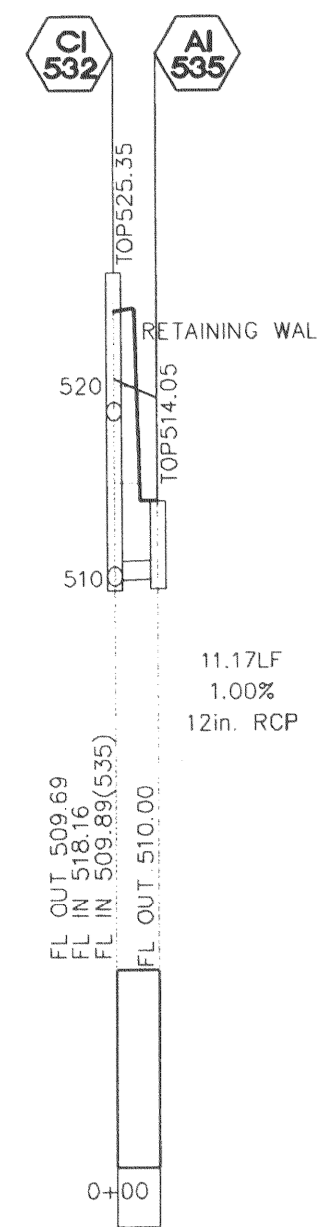
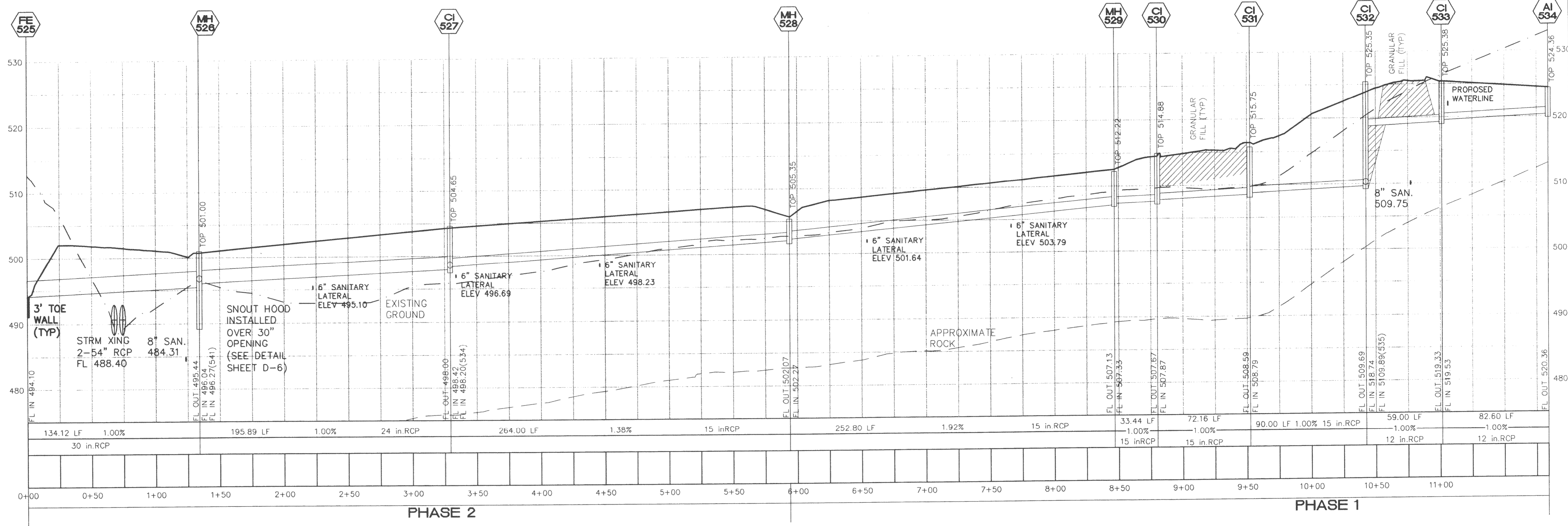


STORM NOTES

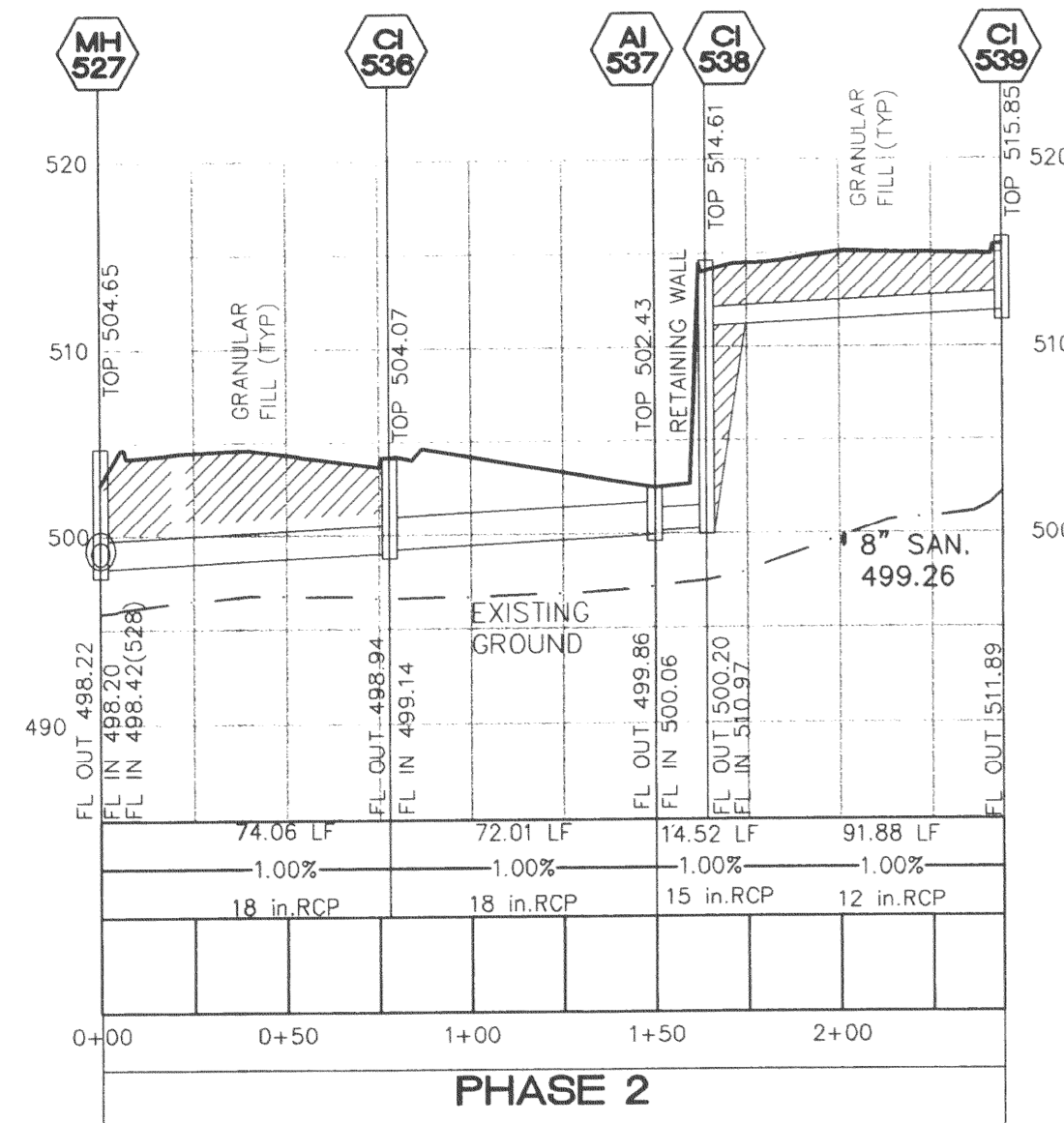
- All structures are to have a minimum 0.20' drop across the structure.
- All flored ends shall be concrete.
- For drop structures, compacted rock backfill is required in the disturbed ground around the structure.
- Concrete encase both storm and sanitary sewers if crossing is less than 18" of separation. A concrete cradle for RCP and encasement for HDPE will be required for all storm sewer lines when crossing more than 18" above the sanitary lines.
- Structures shall be sized to handle incoming and outgoing pipes.
 - 42" Structure - 12"-18" Pipe with A-Lock
 - 48" Structure - 21"-24" Pipe with A-Lock
 - 60" Structure - 27"-30" Pipe with A-Lock
 - 72" Structure - 36" Pipe with A-Lock
 Angle of incoming and outgoing pipe may require a larger structure. (see Shop Drawings)



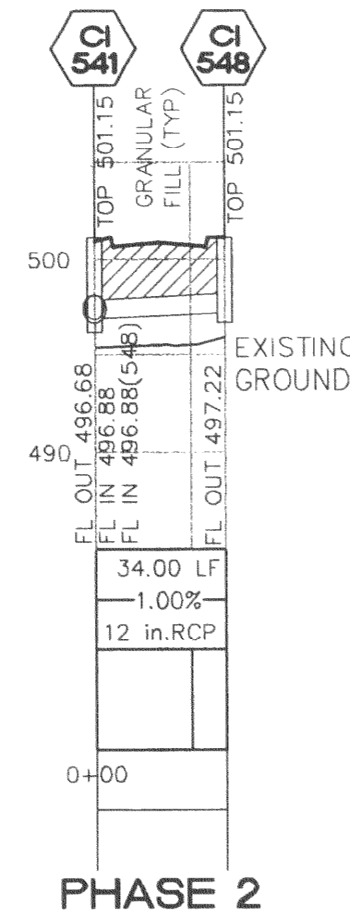
PHASE 1
REVISED 10/02/08



PHASE 1

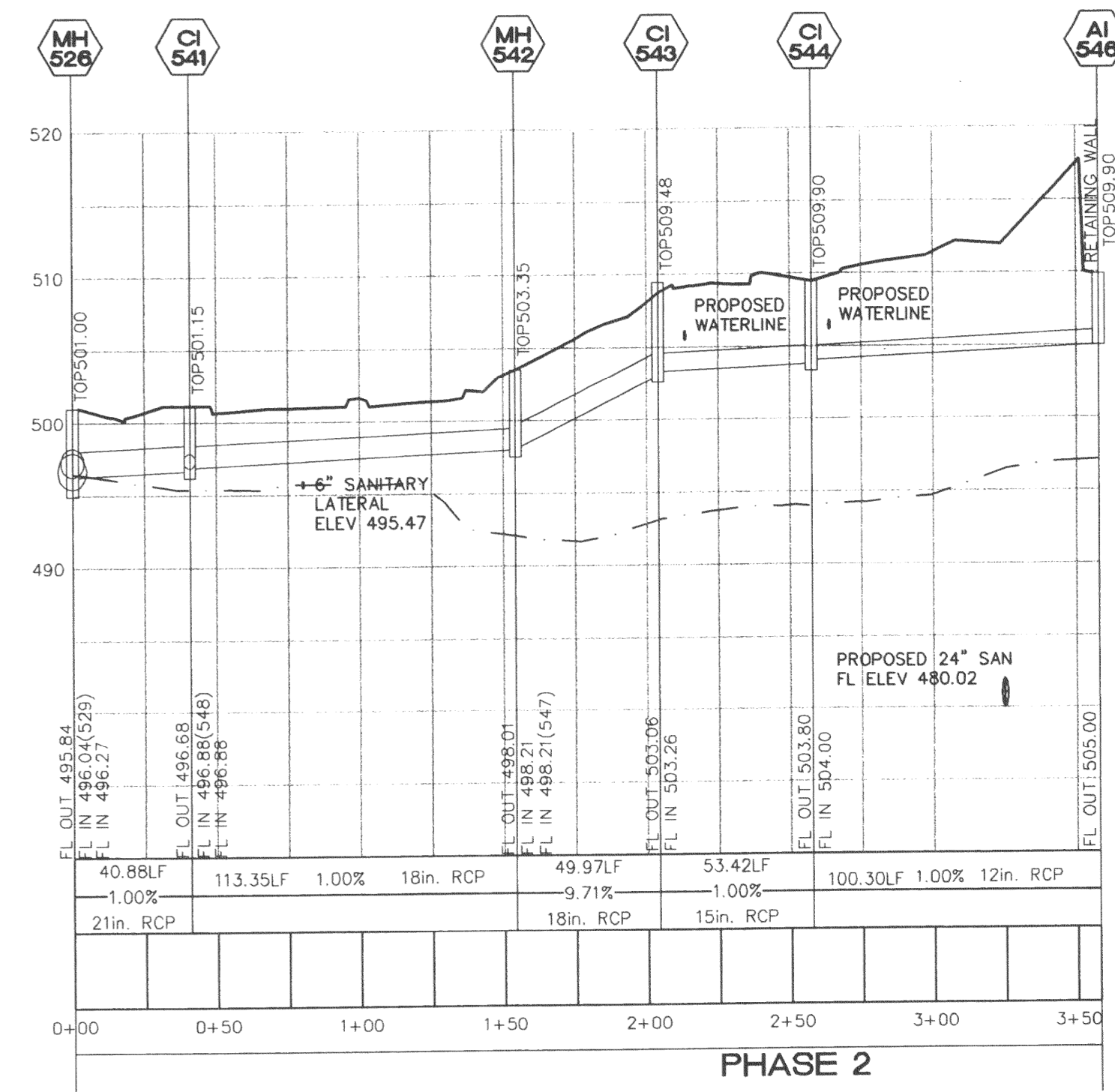


PHASE 2

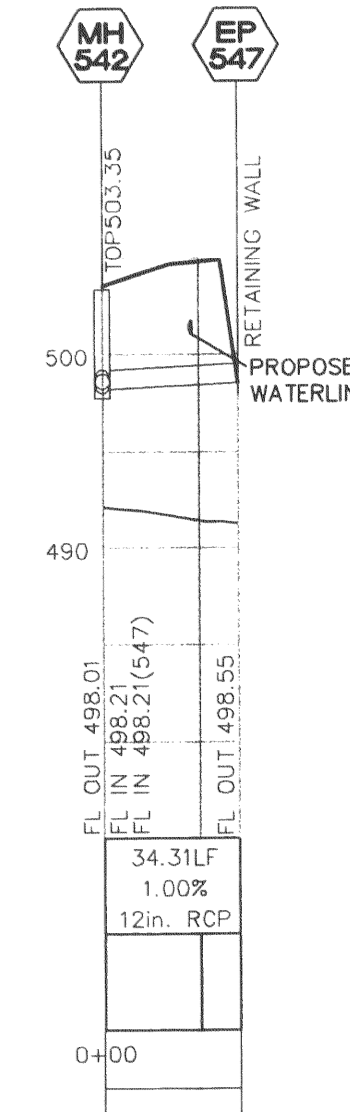


PHASE 2

VERT. 1" = 10'
HORIZ. 1" = 50'
SCALE:



PHASE 2

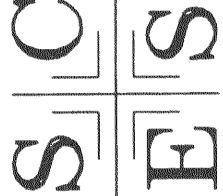


PHASE 2

REVISED BID SET
01/18/08
REVISED PER CITY COMMENTS
02/18/08
REVISED PHASING (TEMP PIPE)
08/25/08
REVISED PHASE PLAN
10/02/08

BELLEAU
CROSSING
STORM

ST. CHARLES ENGINEERING & SURVEYING, INC.
801 S. FIFTH STREET, SUITE 202
ST. CHARLES, MO 63301
TEL: (636) 947-0607 FAX: (636) 947-2448



ORDER NO.
04-1419-01
DATE