

B

DETENTION:

PREDEVELOPED RUNOFF:

2 YEAR	37.06 CFS
15 YEAR	84.12 CFS
25 YEAR	95.60 CFS
100 YEAR	134.18 CFS
200 YEAR	153.98 CFS

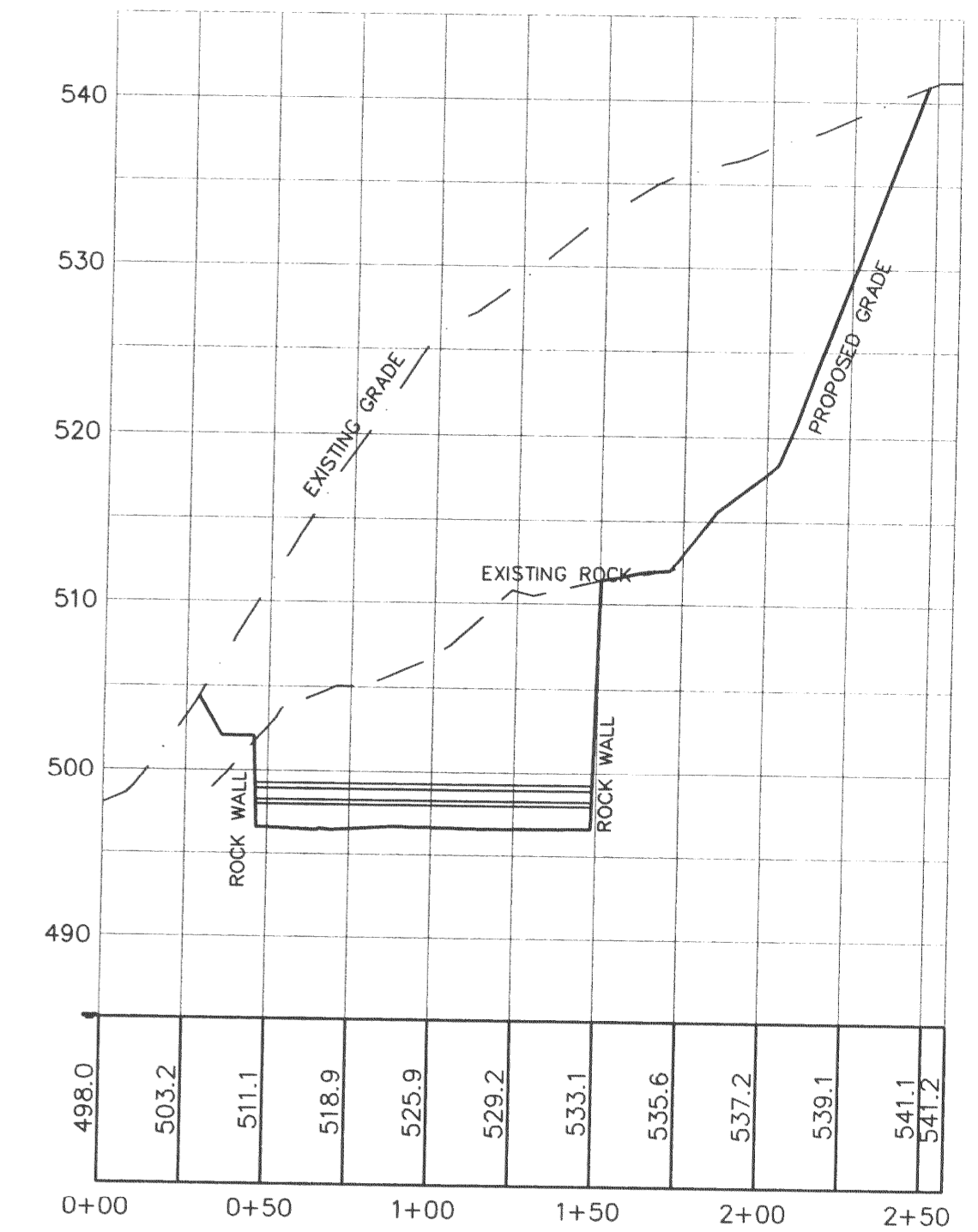
POSTDEVELOPED RUNOFF:

2 YEAR	41.95 CFS
15 YEAR	73.48 CFS
25 YEAR	80.54 CFS
100 YEAR	103.47 CFS
200 YEAR	114.90 CFS

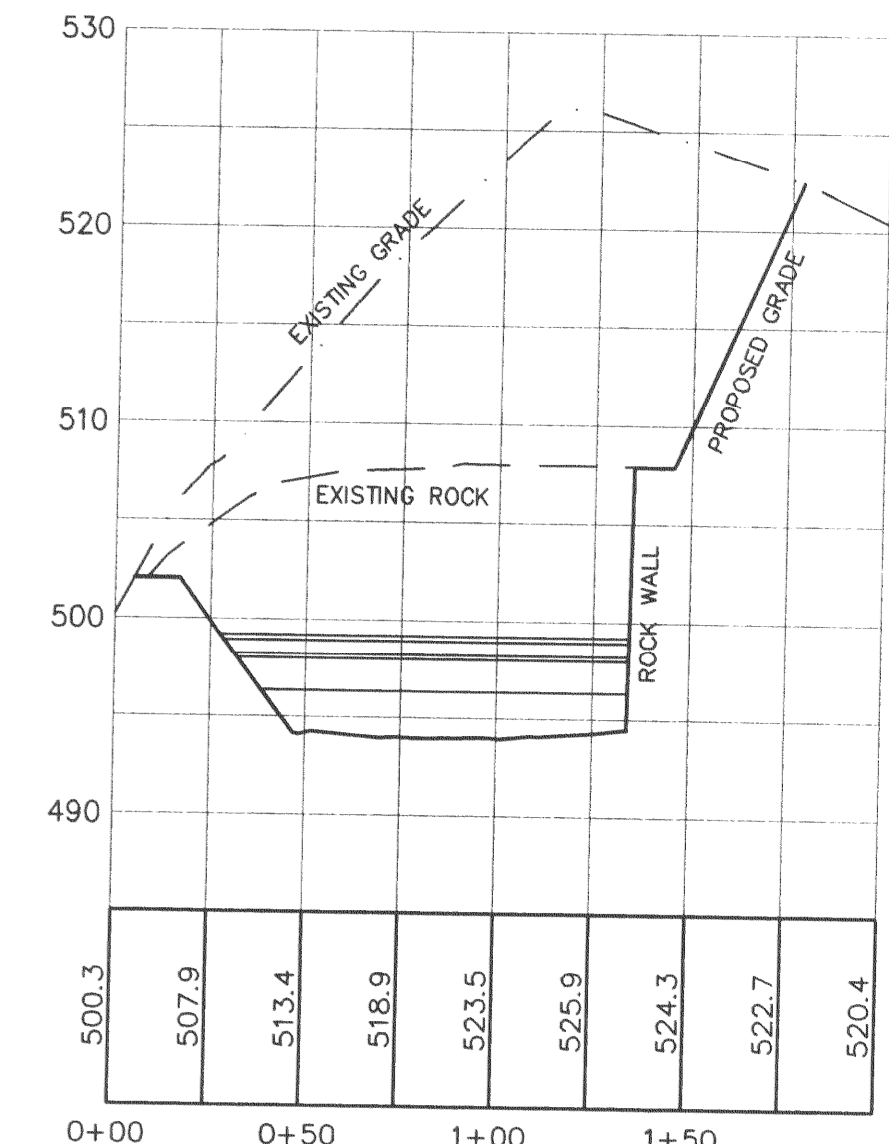
BASIN HIGHWATER MARKS

2 YEAR	496.34 FEET
15 YEAR	497.87 FEET
25 YEAR	498.17 FEET
100 YEAR	498.88 FEET
200 YEAR	499.20 FEET

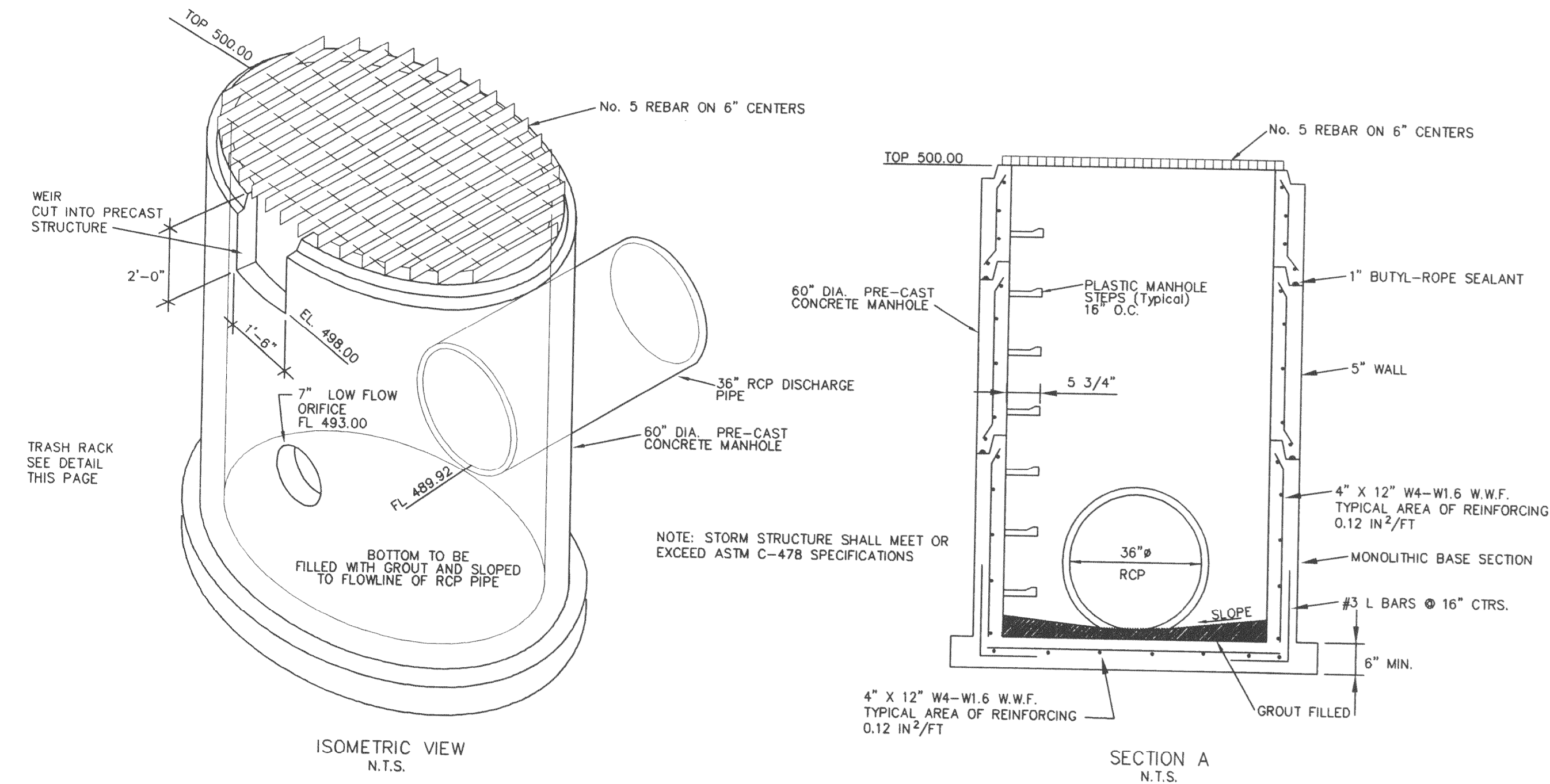
TOP OF DAM ELEVATION 502.10 FEET



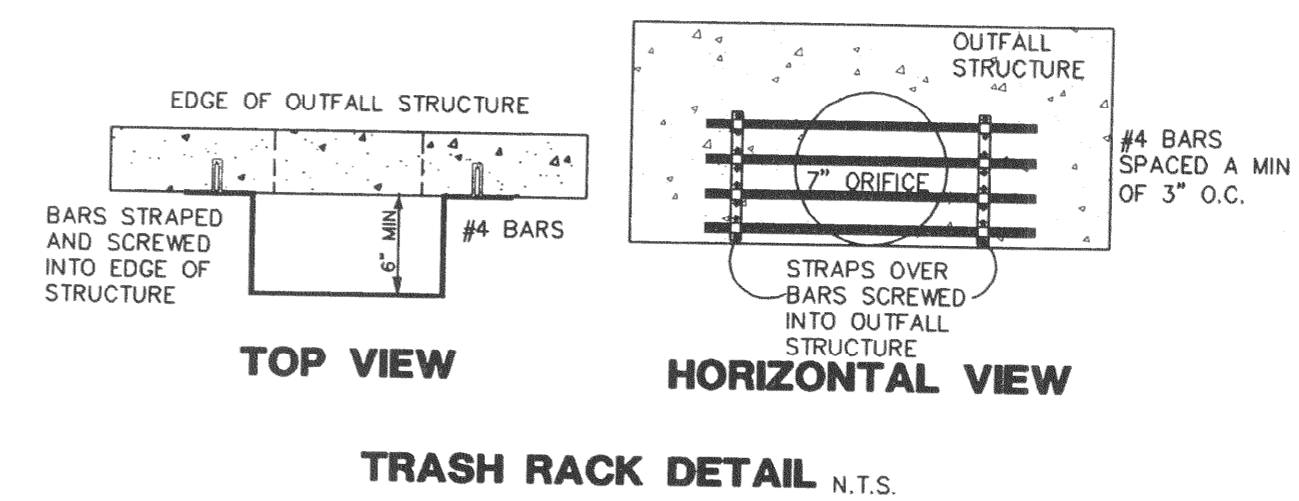
C



A



DETENTION STRUCTURE DETAIL



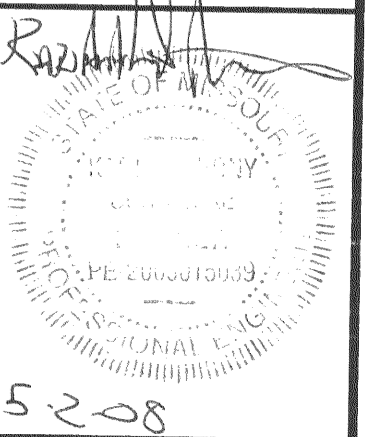
TRASH RACK DETAIL N.T.S.

01/18/08  
02/18/08  
REVISED BID SET  
REVISED PER CITY COMMENTS

**BELLEAU  
CROSSING  
DETENTION**

ST. CHARLES ENGINEERING & SURVEYING, INC.  
801 S. FIFTH STREET, SUITE 202  
ST. CHARLES, MO 63301  
TEL: (636) 947-0607 FAX: (636) 947-2448

**S E S**



52208  
ORDER NO.  
04-1419-01  
DATE

C-17