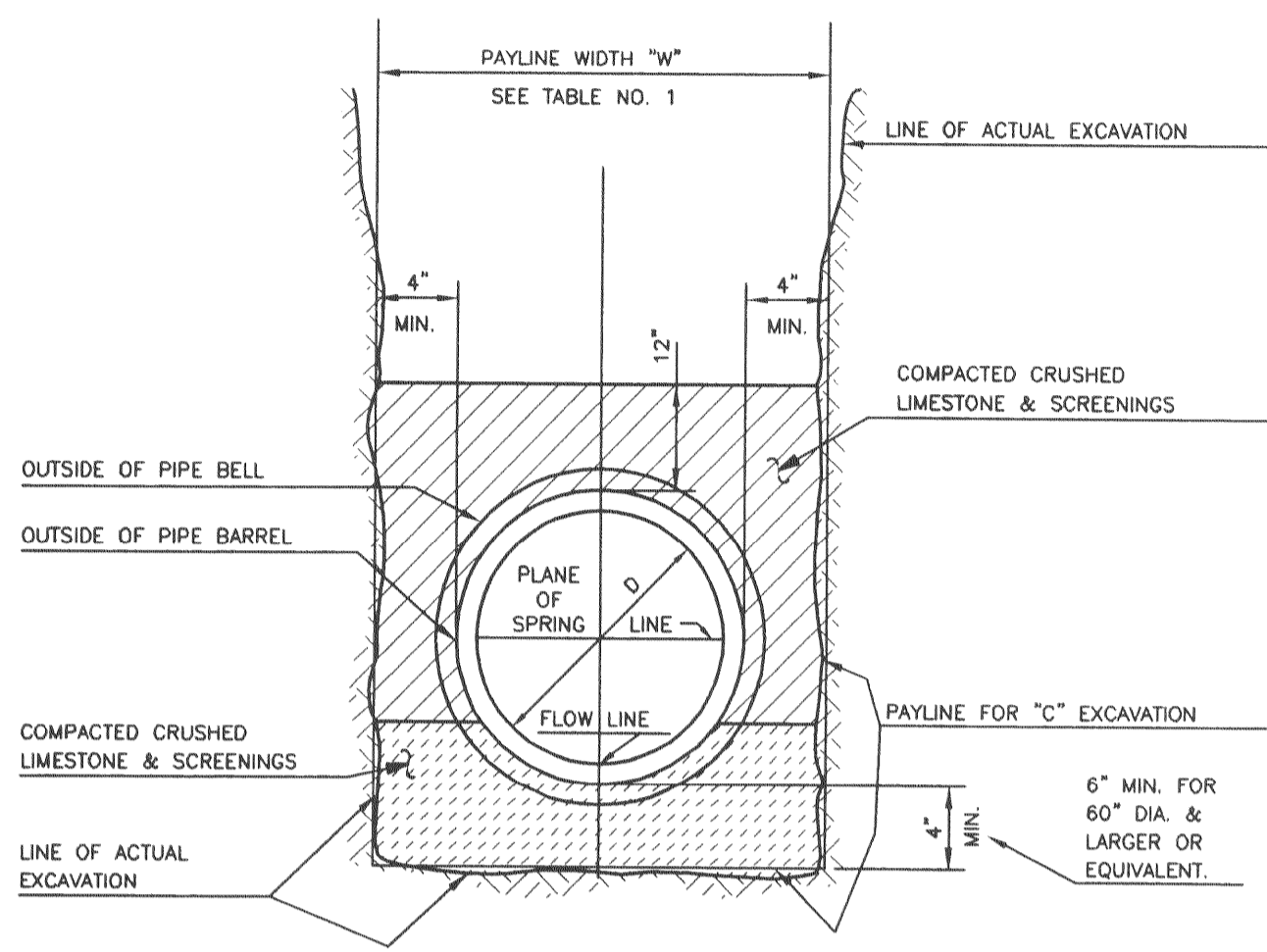
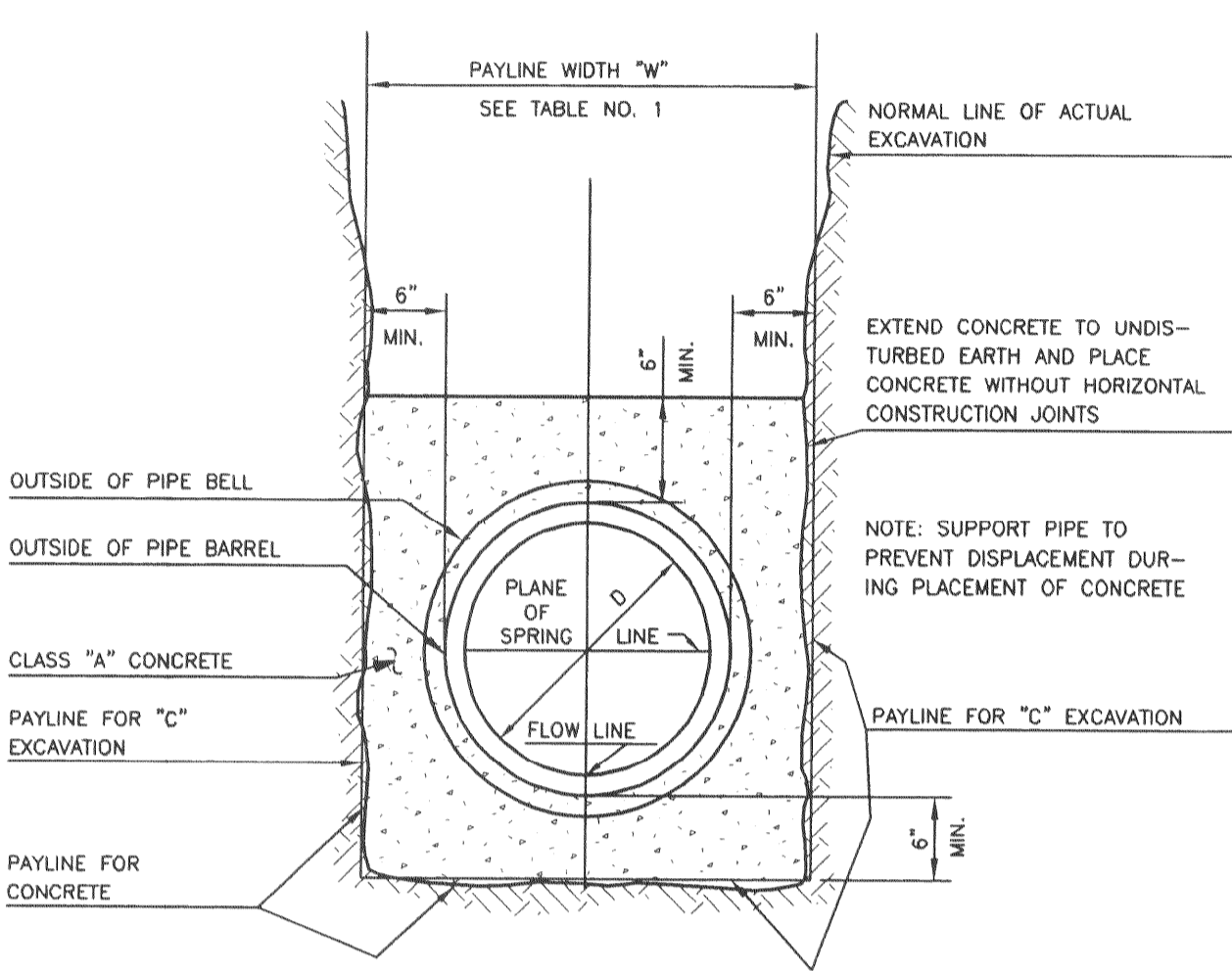


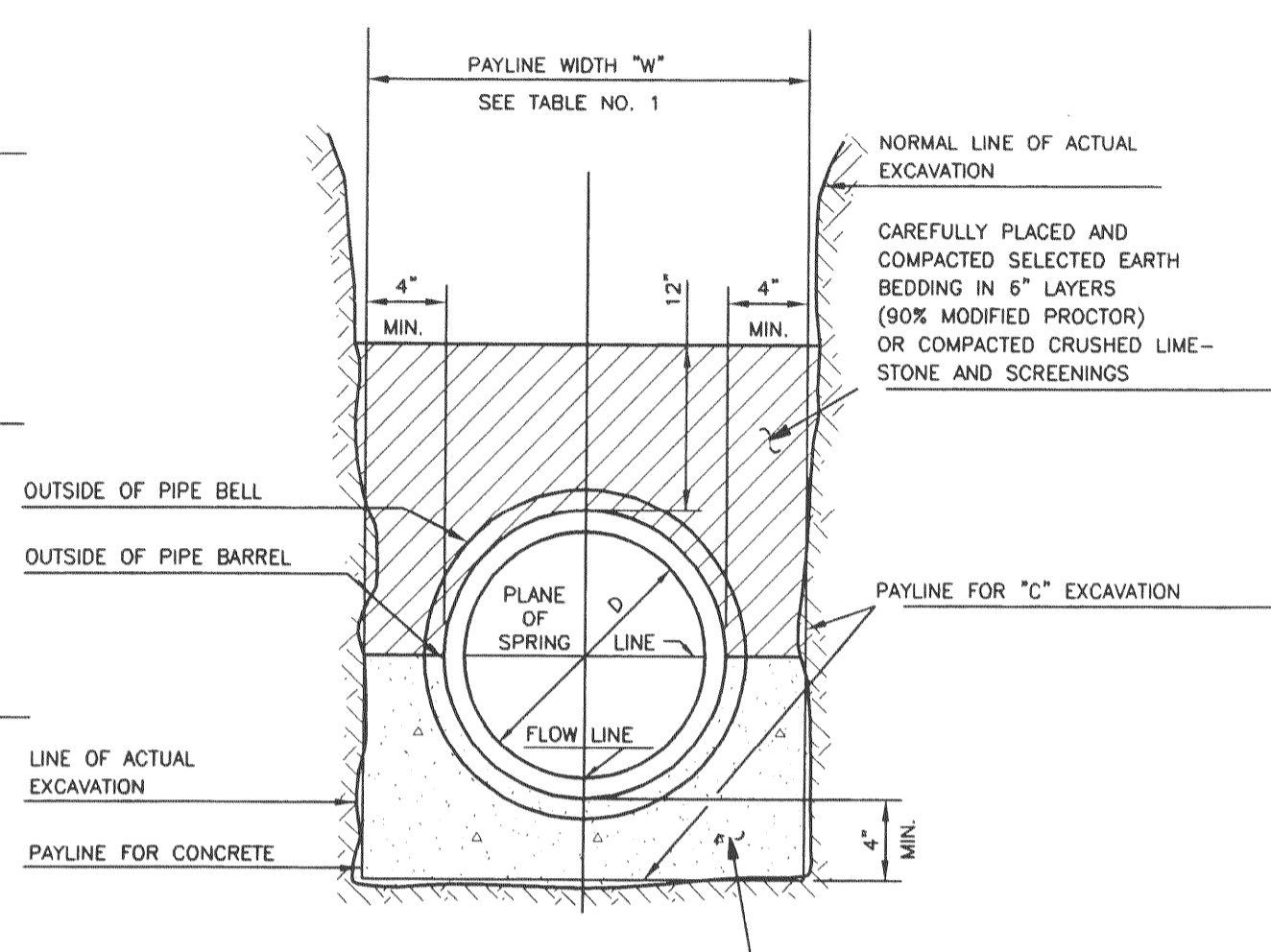
**PIPE BEDDING CLASS "c"
(FOR ALL PIPE EXCEPT
REINFORCED CONCRETE PIPE)**



**PIPE BEDDING CLASS "c"
(MODIFIED FOR REINFORCED
CONCRETE PIPE)**



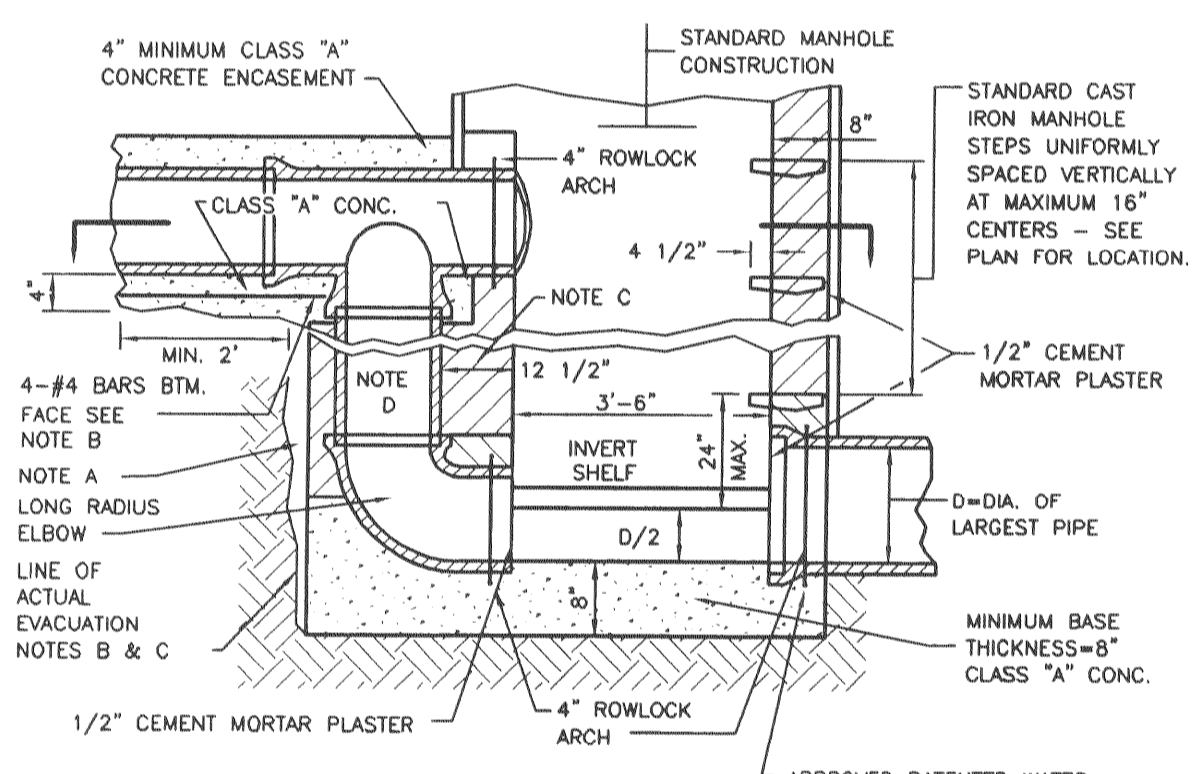
CONCRETE ENCASEMENT



**(CLASS "A" BEDDING)
CONCRETE CRADLE**

ALSO FOR PIPE SEWERS ON GRADES 25% TO 50% INCLUSIVE.
FOR GRADES EXCEEDING 50% SEE PROJECT SPECIFICATIONS.

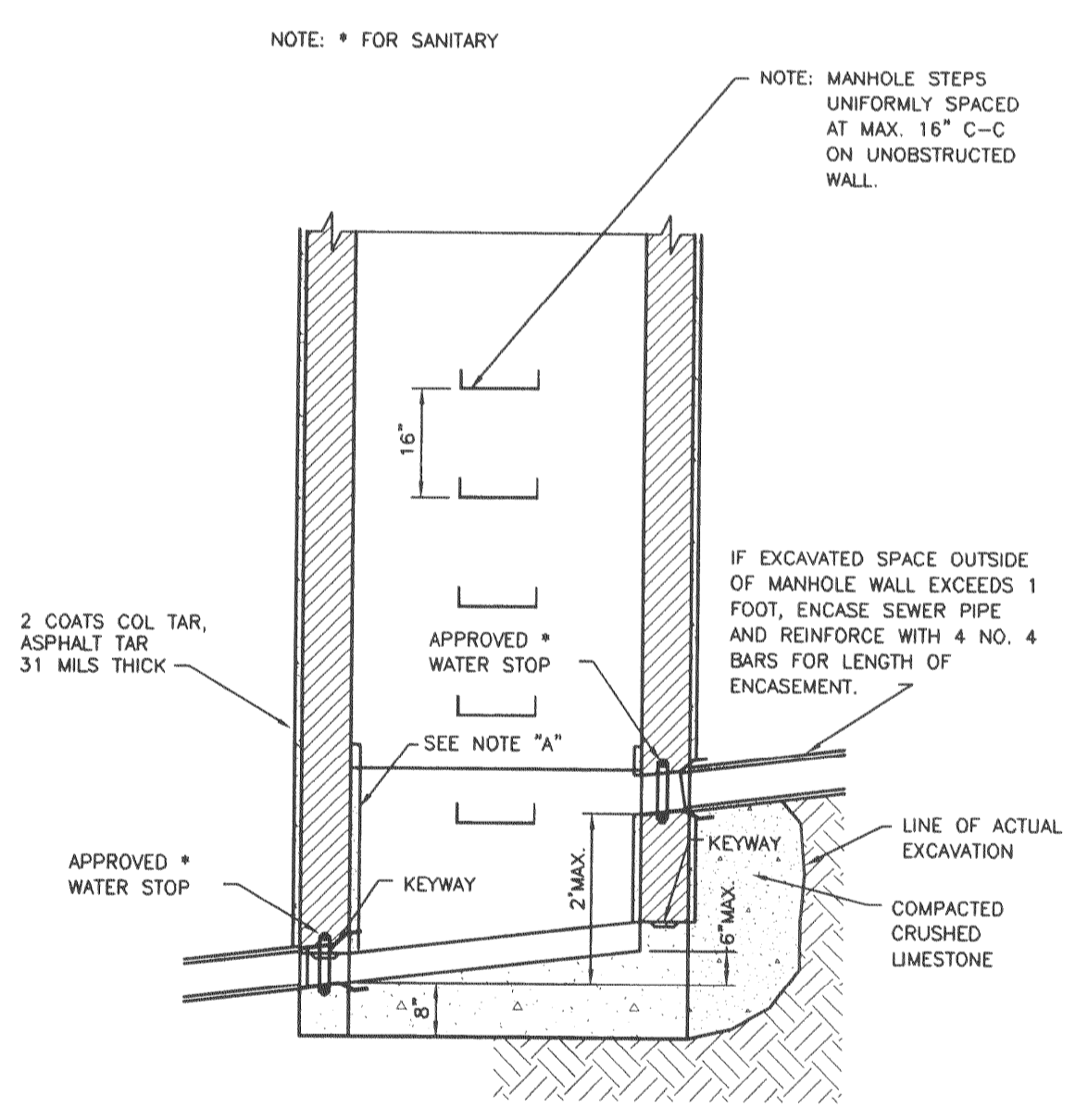
CLASS "A" CONCRETE. FOR PLASTIC PIPE USE CONCRETE COLLARS TWO FEET LONG AND SIX INCHES THICK EVERY TWELVE FEET ADJACENT TO AND DOWN STREAM OF BELLS.
(IN LIEU OF CONC. CRADLE)



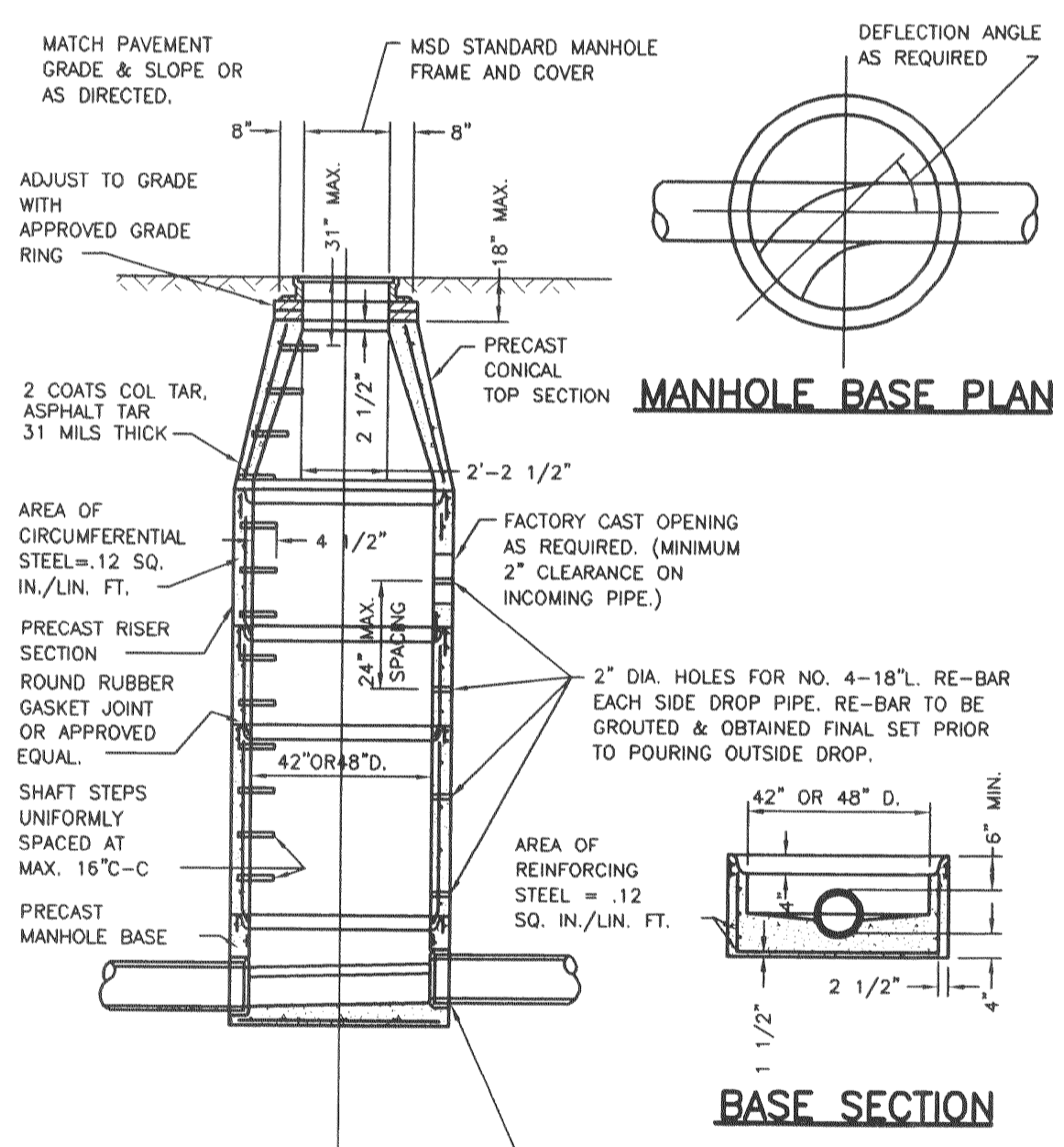
PLAN SECTION

**OUTSIDE FOULWATER
DROP MANHOLE**

SEE ACCOMPANYING SHEET FOR NOTES.



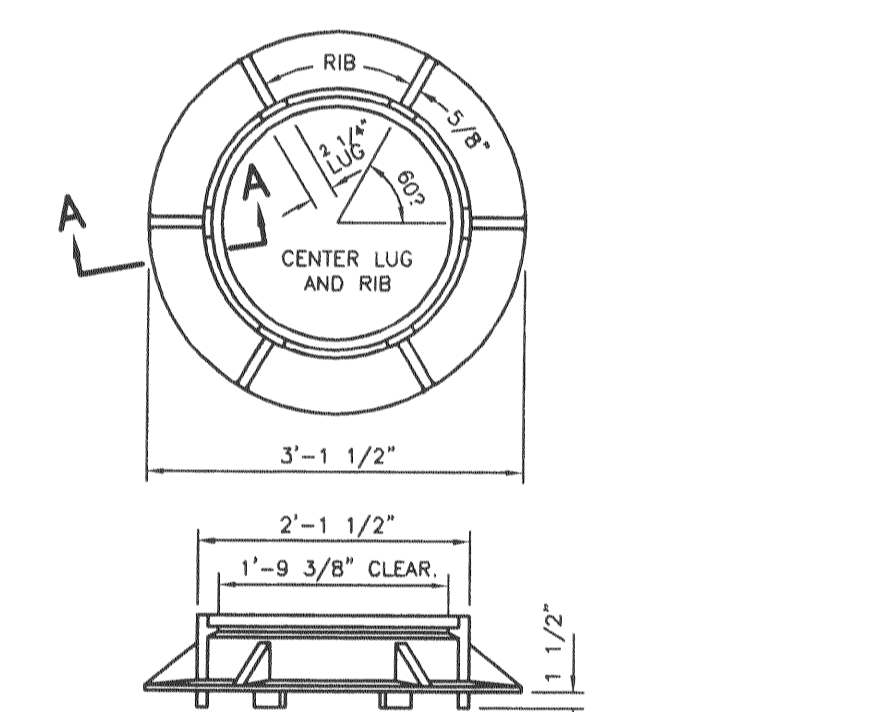
**INSIDE DROP
(8" THRU 24" DIA. PIPE)**



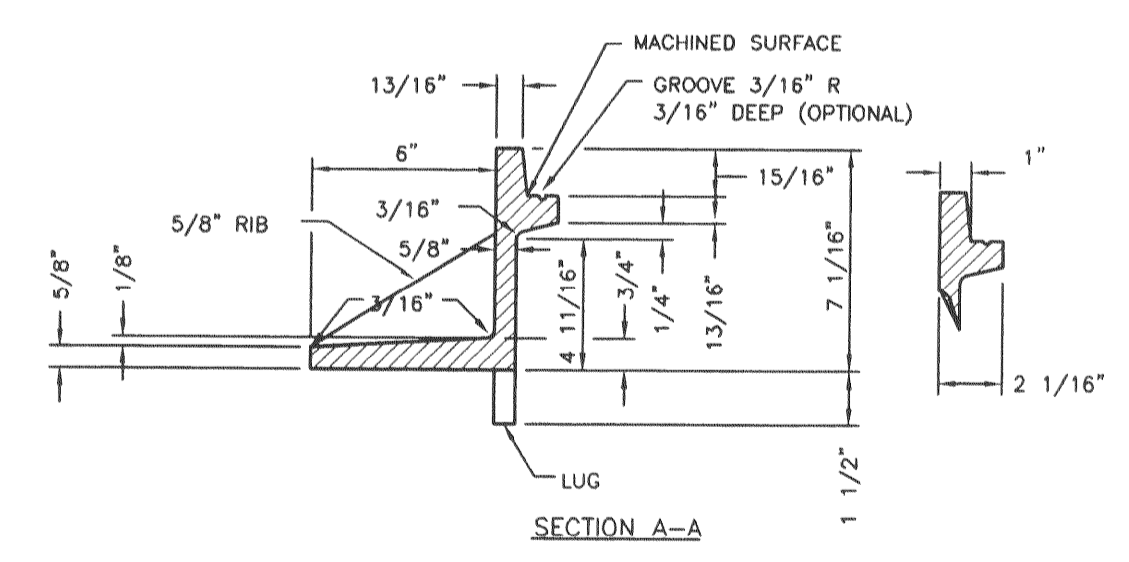
**PRE-CAST CONCRETE MANHOLE
FOR SEWERS
8" THROUGH 12"**

MANHOLE BASE PLAN

BASE SECTION



CAST IRON MANHOLE FRAME



**CAST IRON
MANHOLE FRAME**

STANDARD SANITARY DETAILS

CITY OF FALLON
DEPARTMENT OF PUBLIC
WORKS DESIGN GROUP
O'FALLON, MISSOURI



DISCLAIMER OF RESPONSIBILITY
I HEREBY SPECIFY THAT THE DOCUMENTS REFERRED TO IN THIS SHEET, AND I HEREBY DISCLAIM ANY RESPONSIBILITY FOR ALL OTHER DOCUMENTS OR INSTRUMENTS RELATING TO OR REFERRED TO IN THIS SHEET OR PART OF THIS SHEET, OR THE ARCHITECTURAL OR ENGINEERING PROJECT OR SUBJECT.

DESIGNED: GDD
CHECKED: _____
DATE: _____
PROJECT NO.: _____

SHEET
OF

IMPROVEMENT PLANS
BELLEAU CROSSING
SANITARY DETAILS 1

ST. CHARLES ENGINEERING & SURVEYING, INC.
801 S. FIFTH STREET, SUITE 202
ST. CHARLES, MO 63301
TEL: (636) 947-0607 FAX: (636) 947-2448

S E I S

218-08
ORDER NO.
04-1419-01
DATE
12/05/07