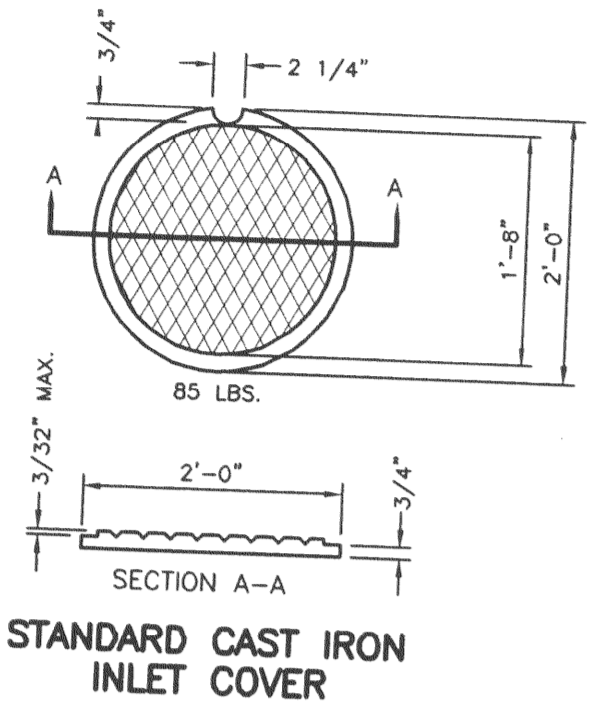
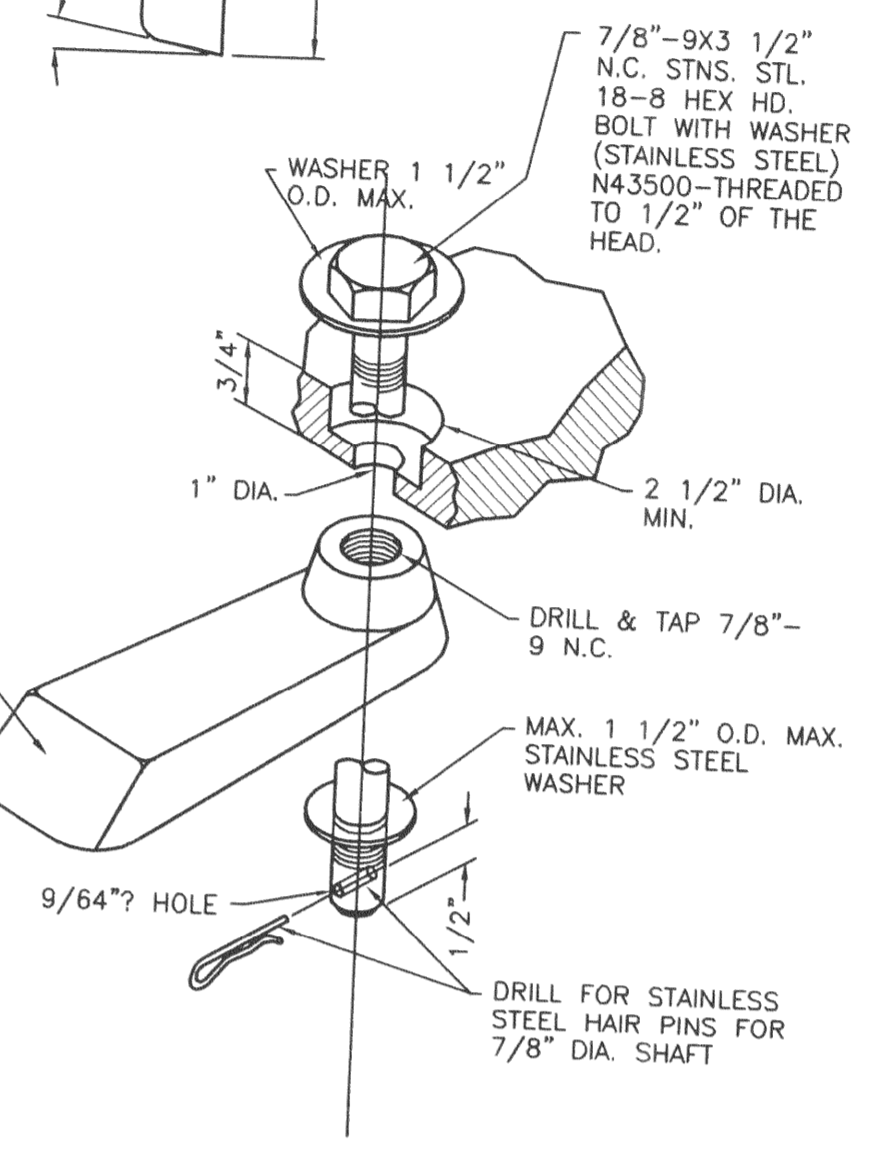
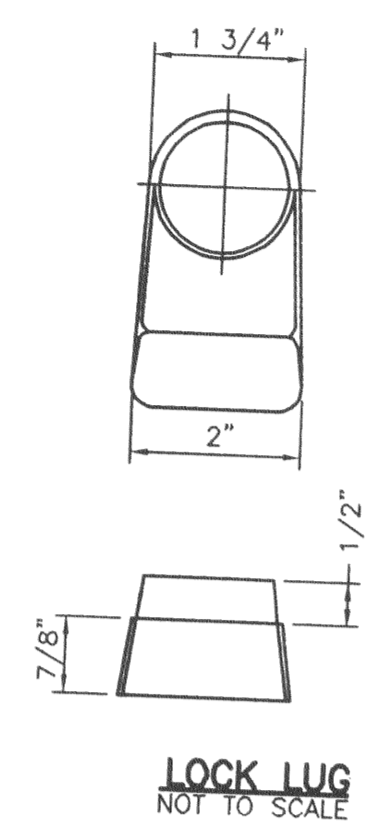


SEE SHEET 46A FOR LOCKING DEVICE
NOTE B: PROVIDE 1/8" RAISED LETTERING APPROXIMATELY 3/4" TO 1" HIGH.

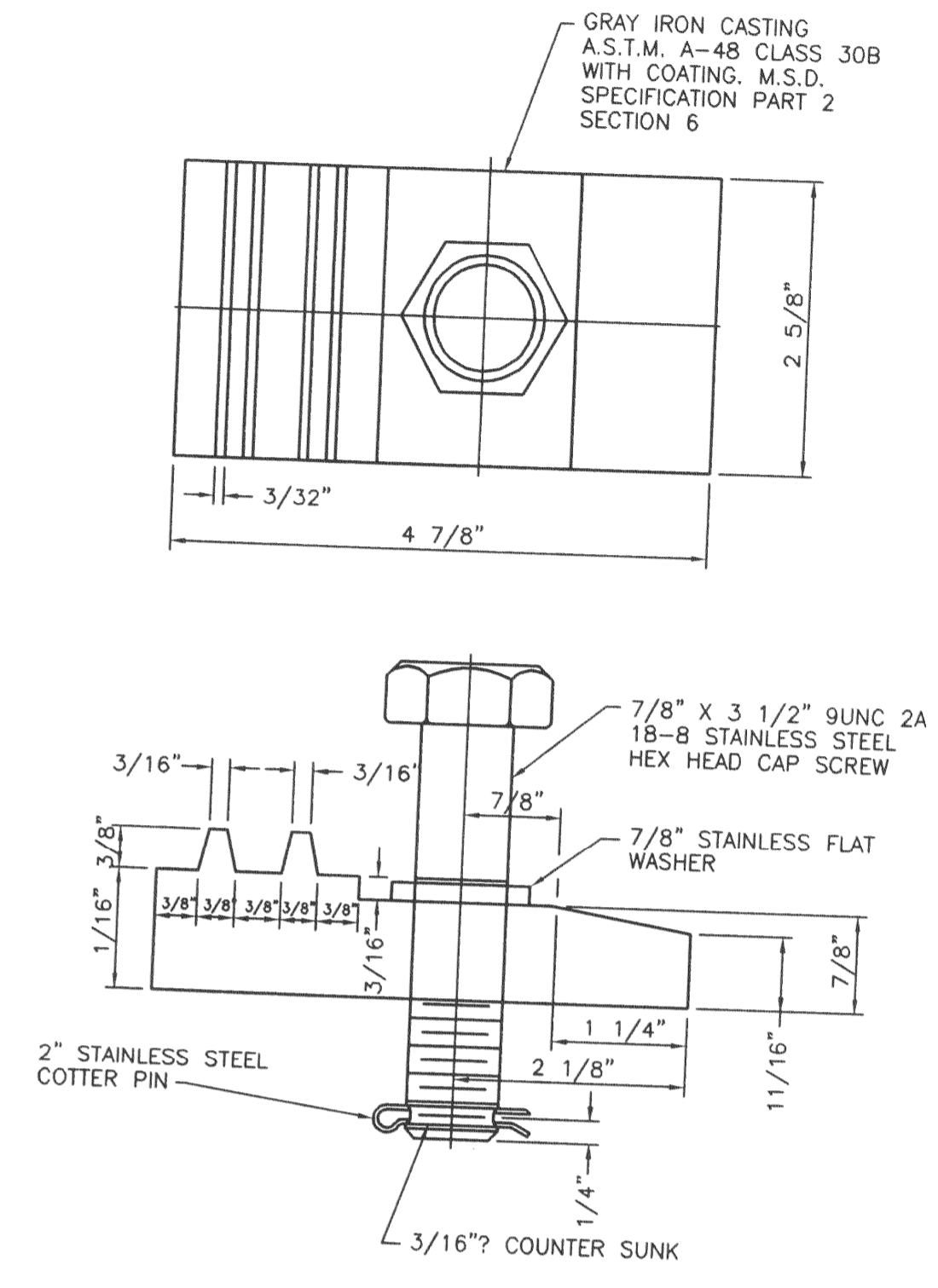


NOTE A: MACHINE CONTACTING SURFACES FOR SEAT OF STANDARD MANHOLE FRAME AND BEARING SURFACE OF COVERS.

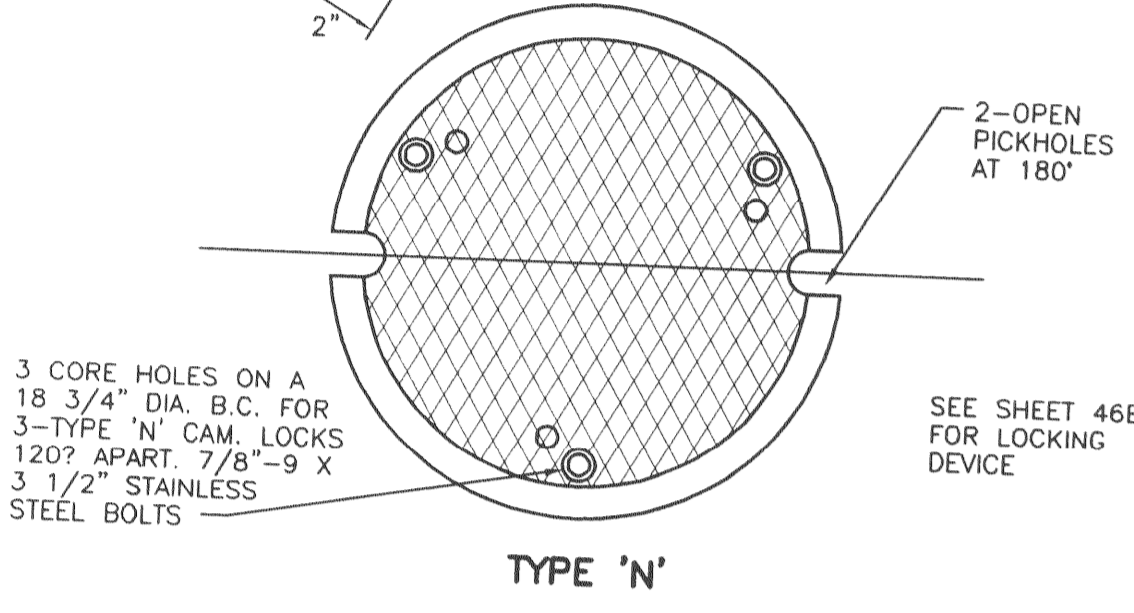
NOTE B: PROVIDE 1/8" RAISED LETTERING APPROXIMATELY 3/4" TO 1" HIGH.



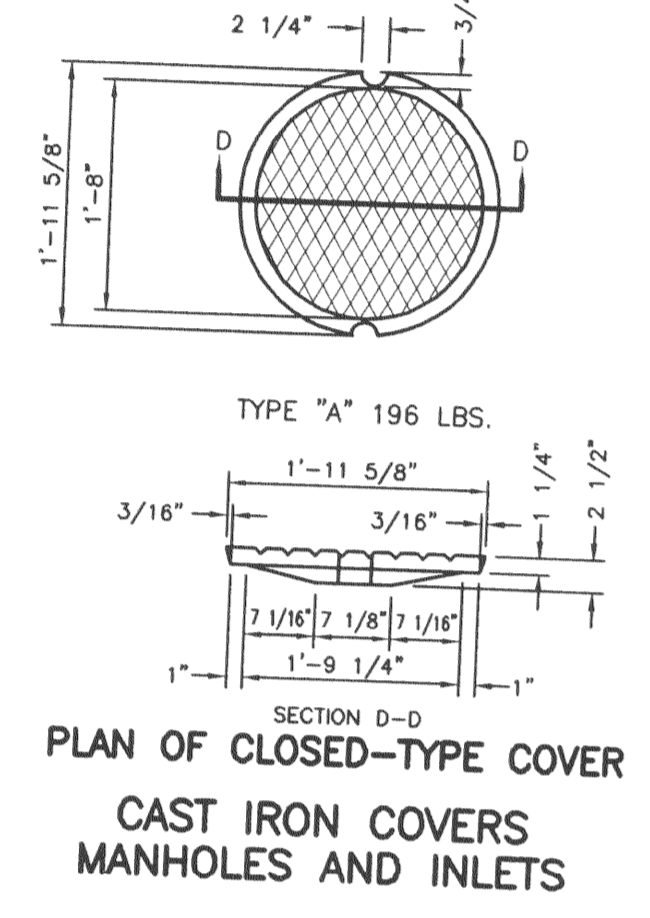
LOCKING DEVICE FOR TYPE 'N' LOCK TYPE MANHOLE COVER



LOCKING DEVICE FOR TYPE 'T' LOCK TYPE MANHOLE COVER

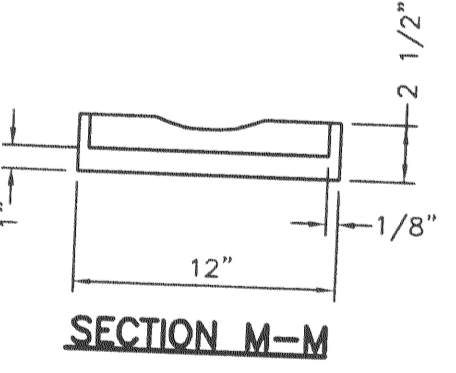
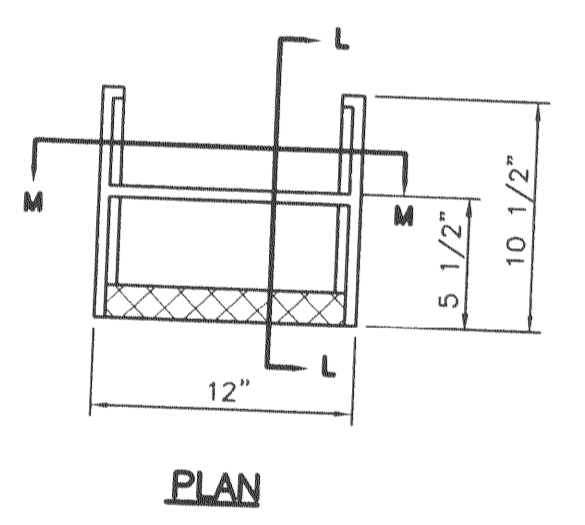
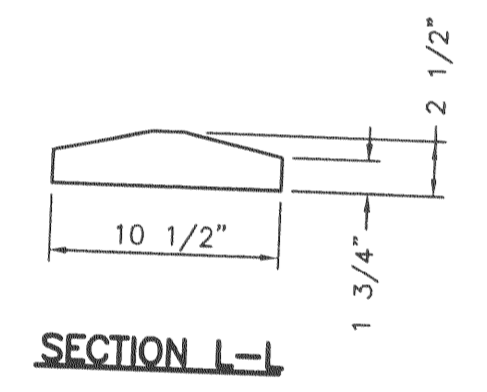


SEE SHEET 46B FOR LOCKING DEVICE

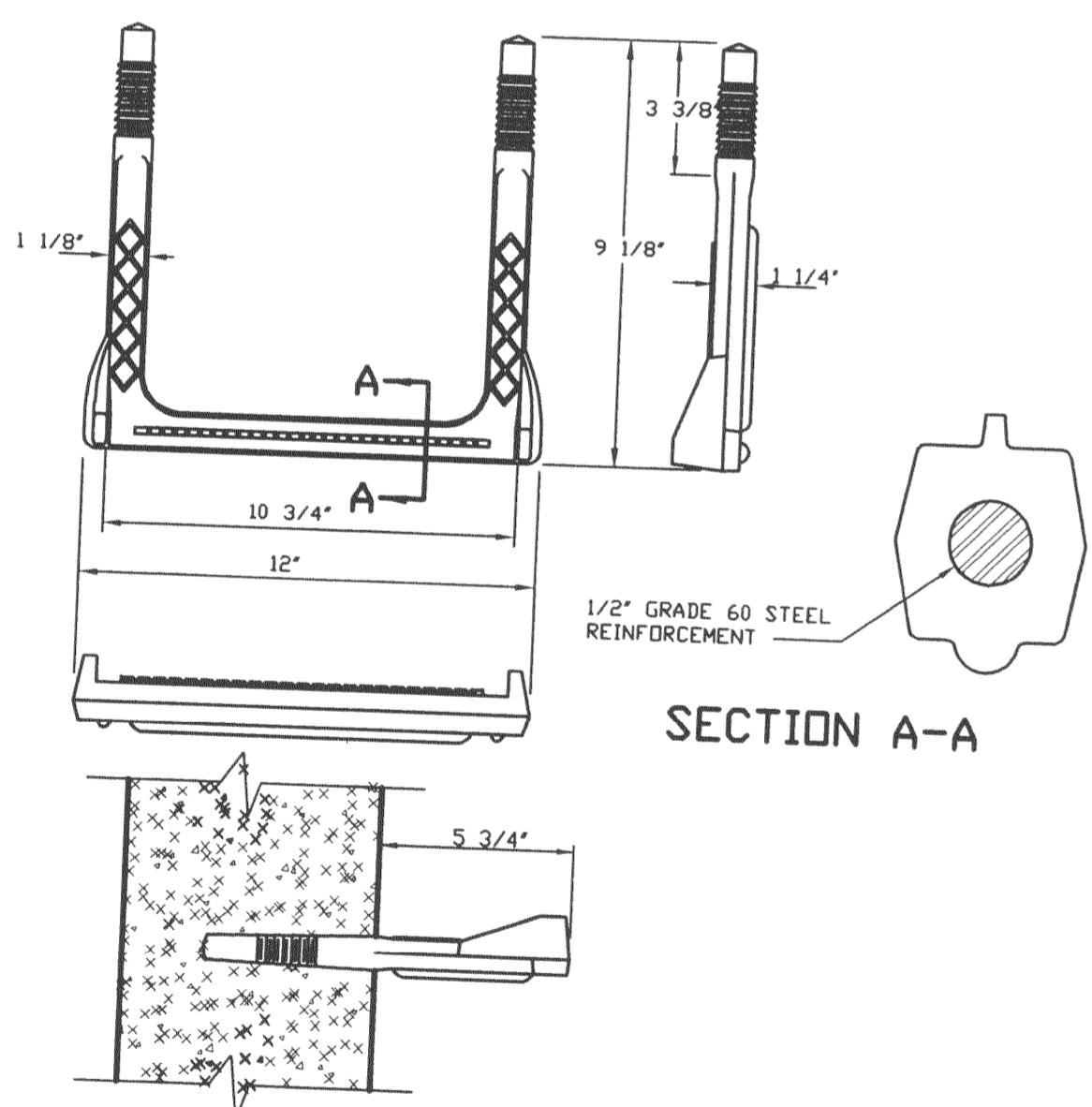


CAST IRON MANHOLE COVERS (LOCK TYPE)

CAST IRON COVERS MANHOLES AND INLETS



CAST IRON MANHOLE STEPS



COPOLYMER POLYPROPYLENE PLASTIC MANHOLE STEP FOR PRECAST MANHOLE

STANDARD SANITARY DETAILS

CITY OF FALLON
DEPARTMENT OF PUBLIC WORKS DESIGN GROUP
O'FALLON, MISSOURI



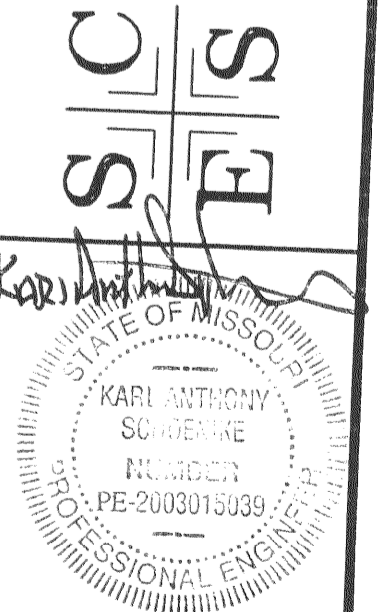
DISCLAIMER OF RESPONSIBILITY
I HEREBY CERTIFY THAT THE DOCUMENTS PROVIDED TO BE AUTHENTICATED BY MY SEAL ARE LIMITED TO THIS SHEET, AND I HEREBY DISCLAIM ANY RESPONSIBILITY FOR ALL OTHER CHANGES, DOCUMENTS OR INSTRUMENTS RELATED TO OR ATTACHED TO OR DERIVED FROM THIS SHEET OR PARTS OF THE ARCHITECTURAL OR ENGINEERING PROJECT OR SURVEY.

SEAL

DESIGNED: GDO
CHECKED: _____
DATE: _____
PROJECT NO.: _____
SHEET OF _____

IMPROVEMENT PLANS
BELLEAU CROSSING
SANITARY DETAILS 2

ST. CHARLES ENGINEERING & SURVEYING, INC.
801 S. FIFTH STREET, SUITE 202
ST. CHARLES, MO 63301
TEL: (636) 947-0607 FAX: (636) 947-2448



2-18-08
ORDER NO. 041419
DATE 12/05/07
D-3