

PRECAST CONCRETE STORMWATER STRUCTURES

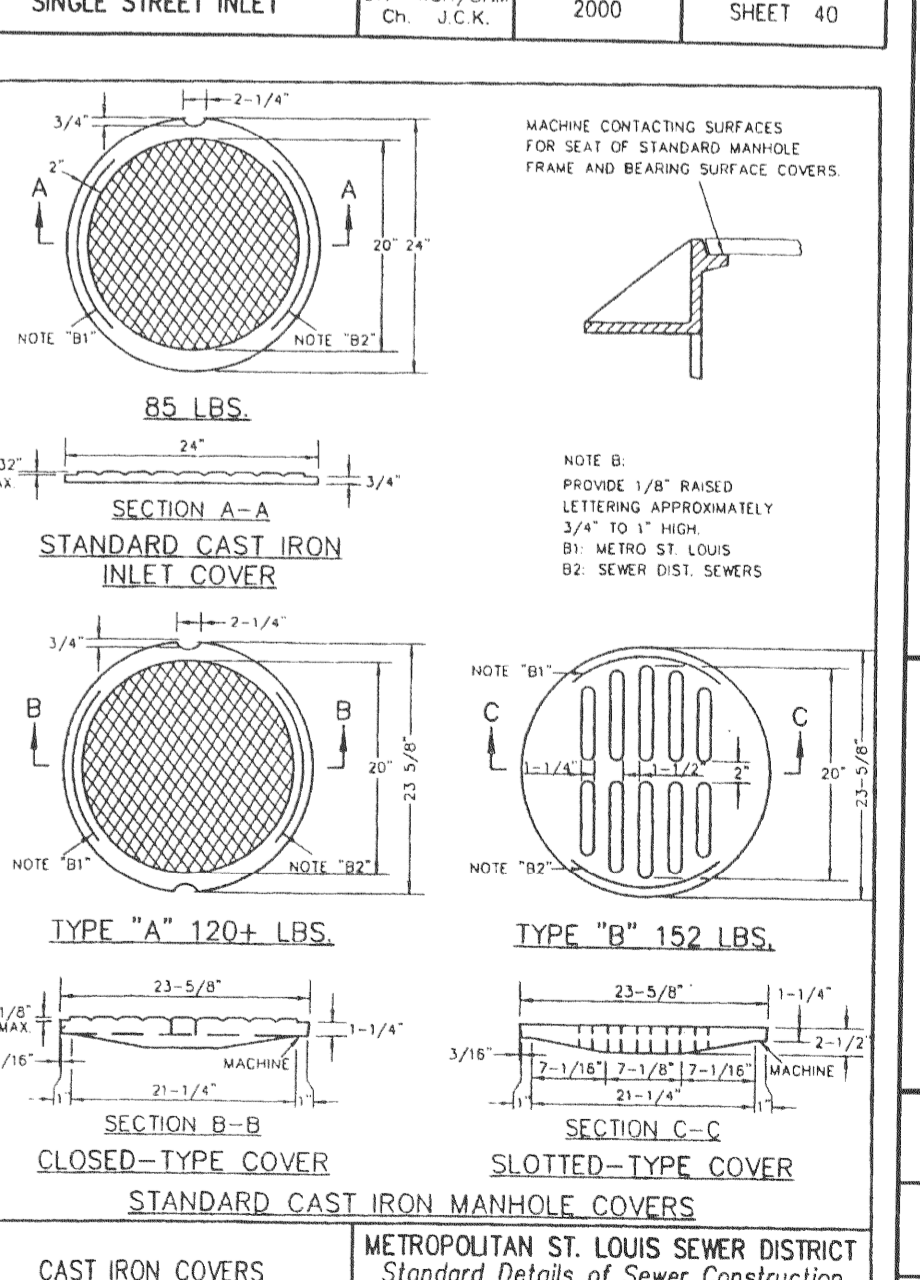
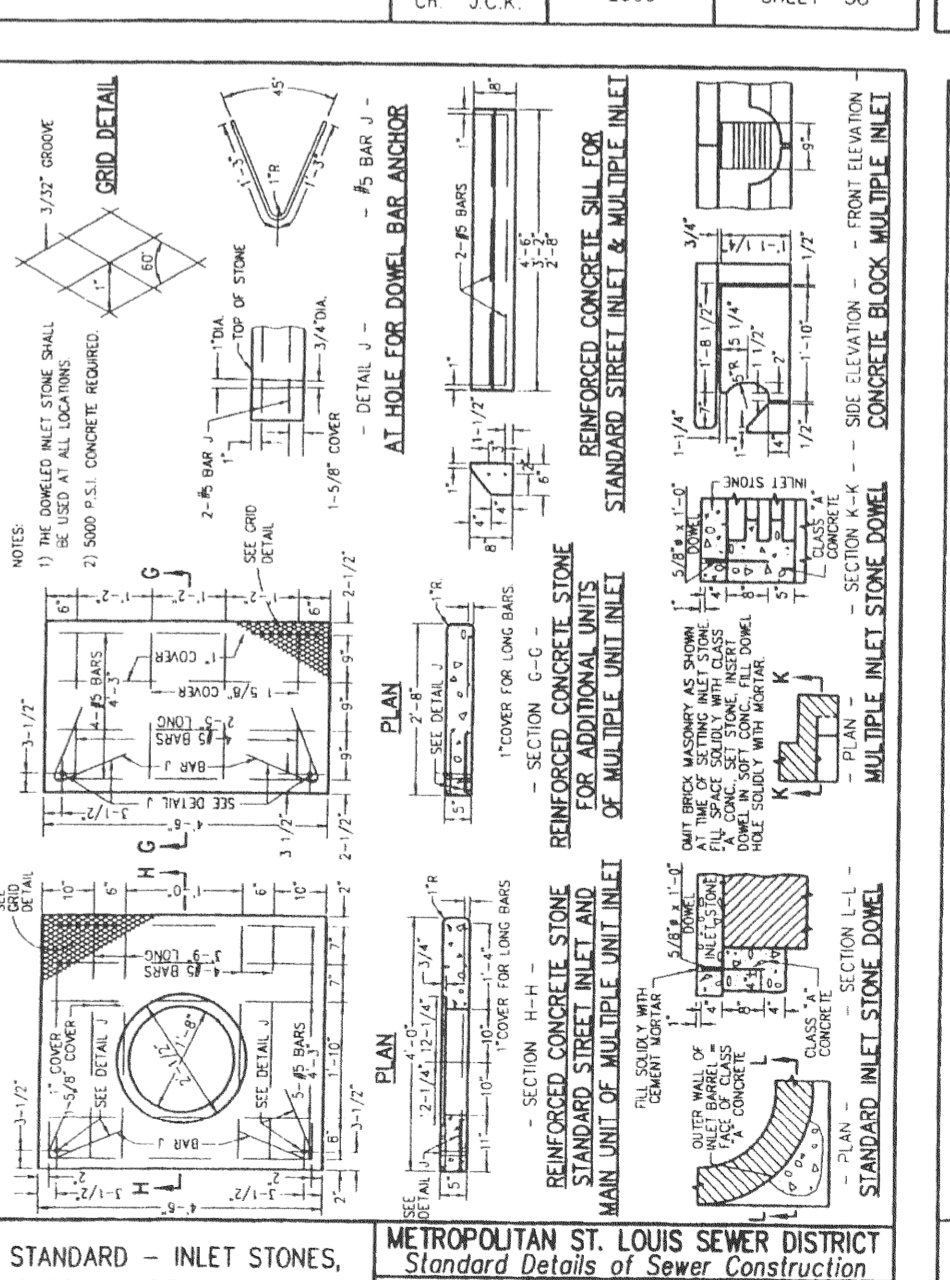
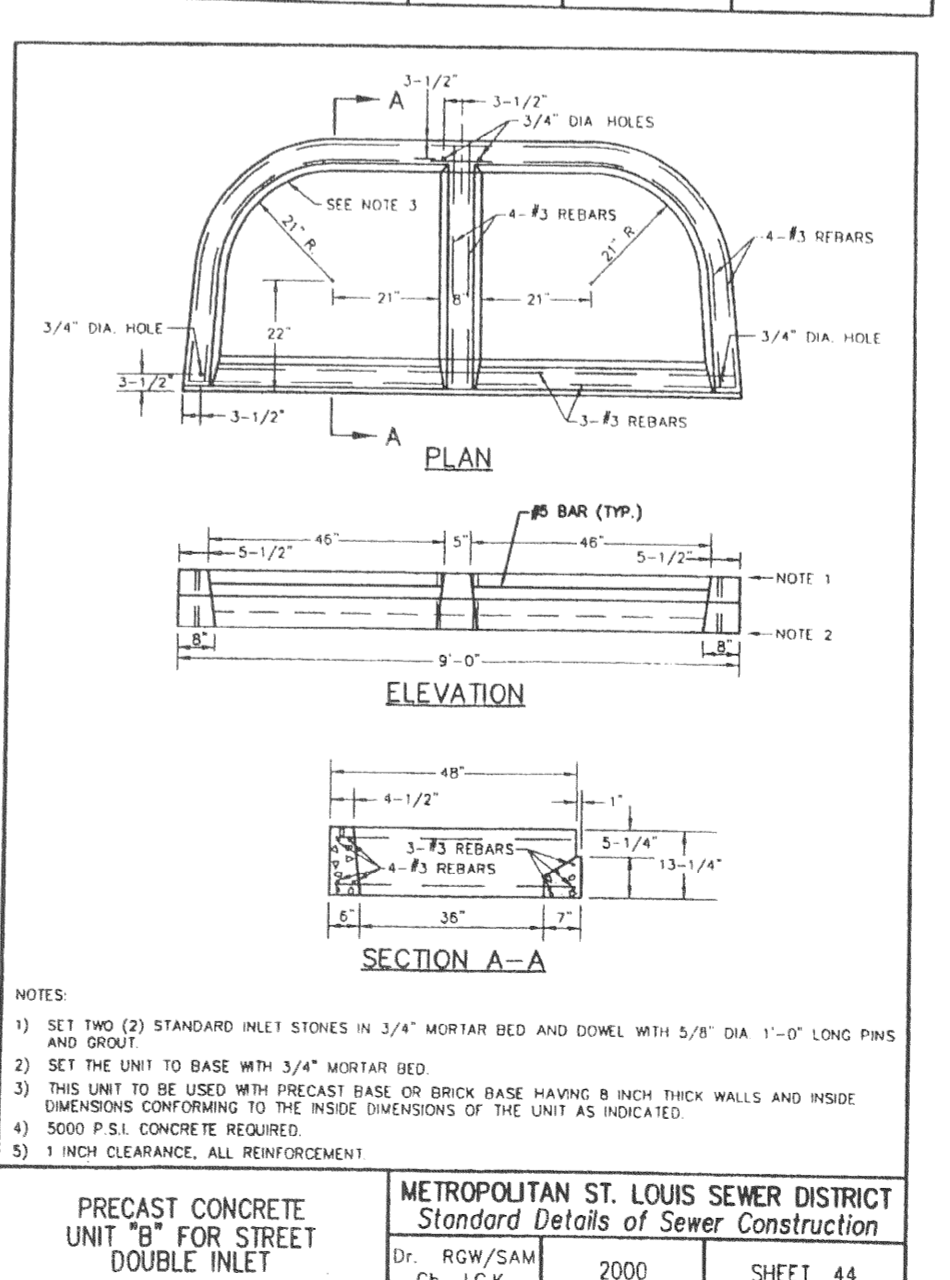
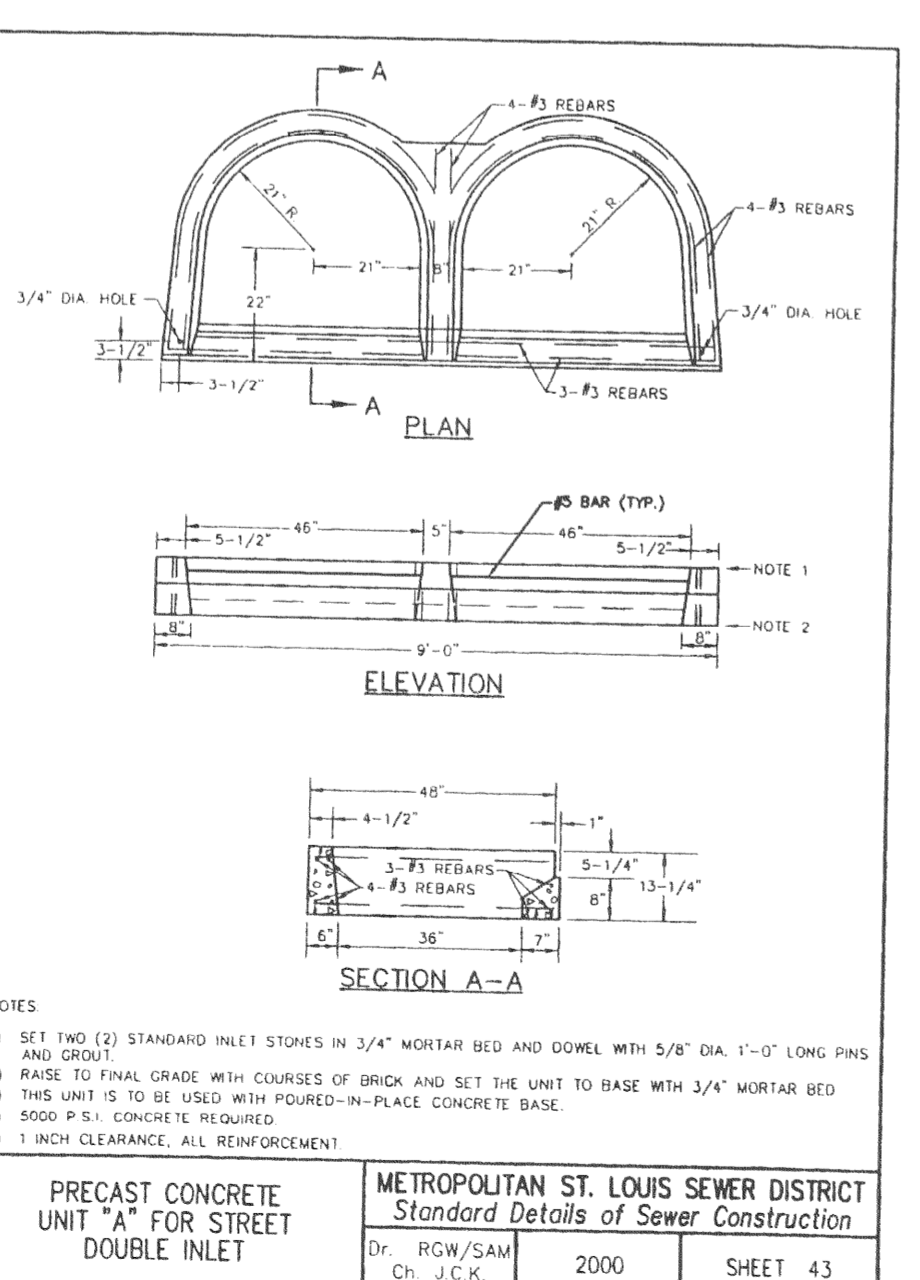
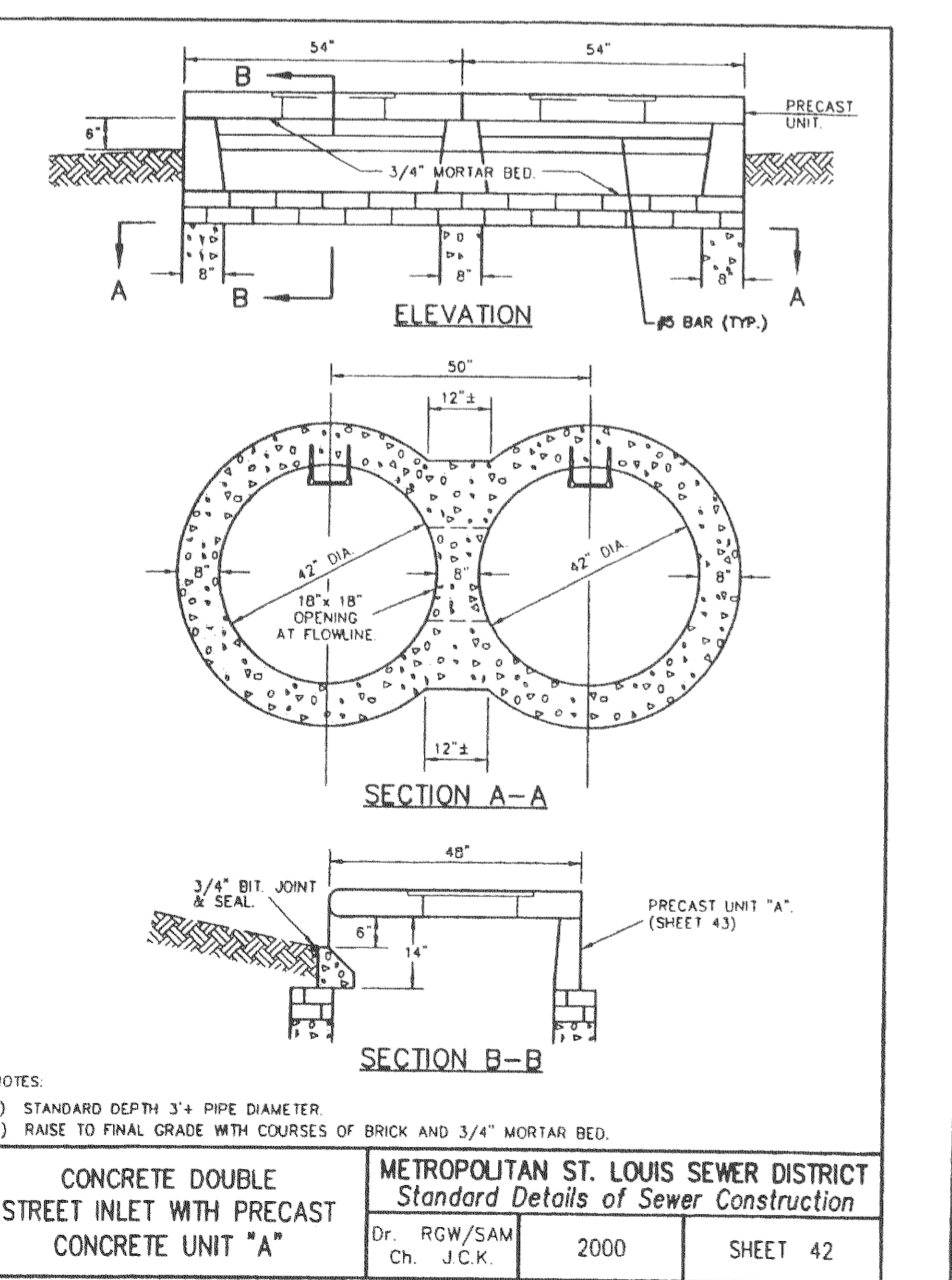
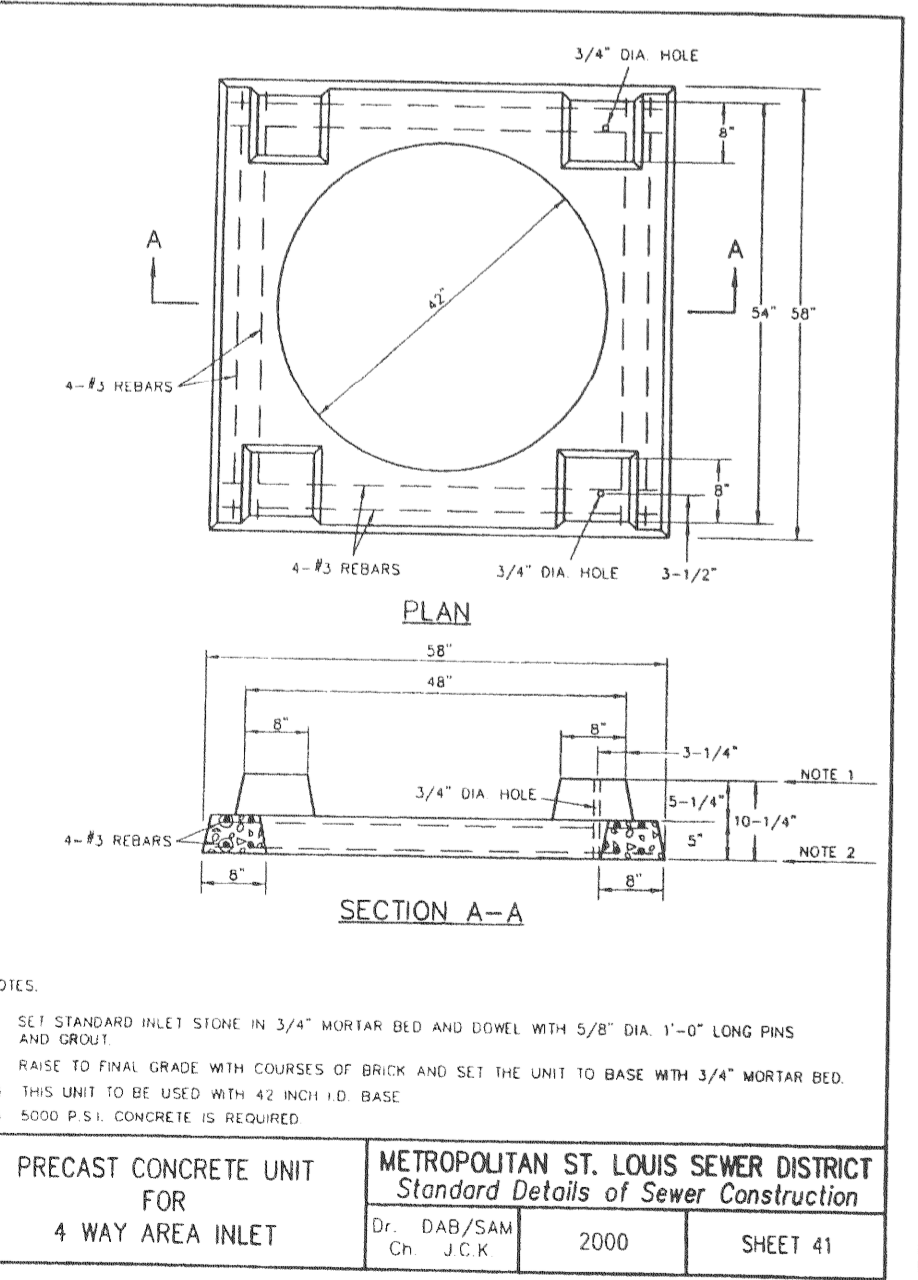
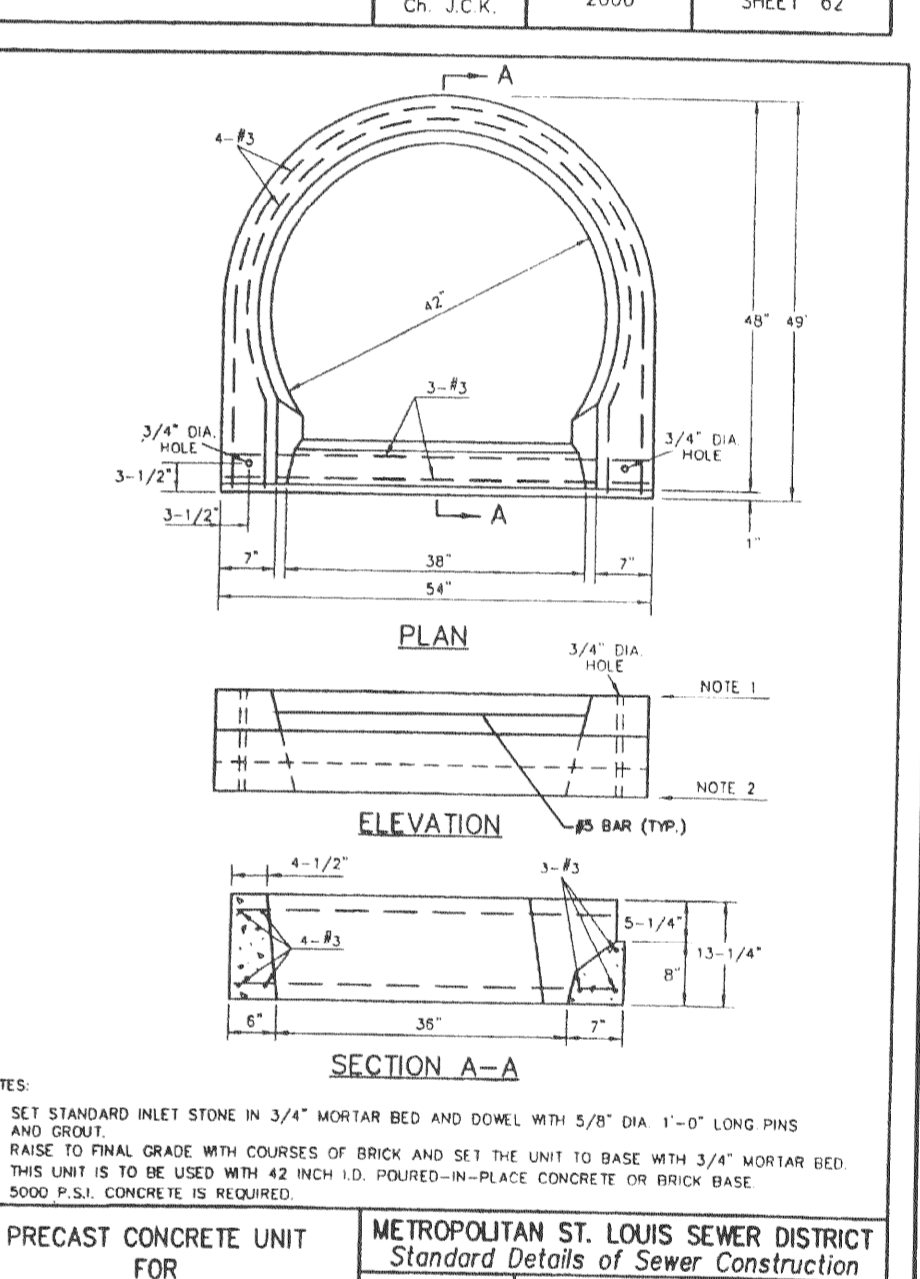
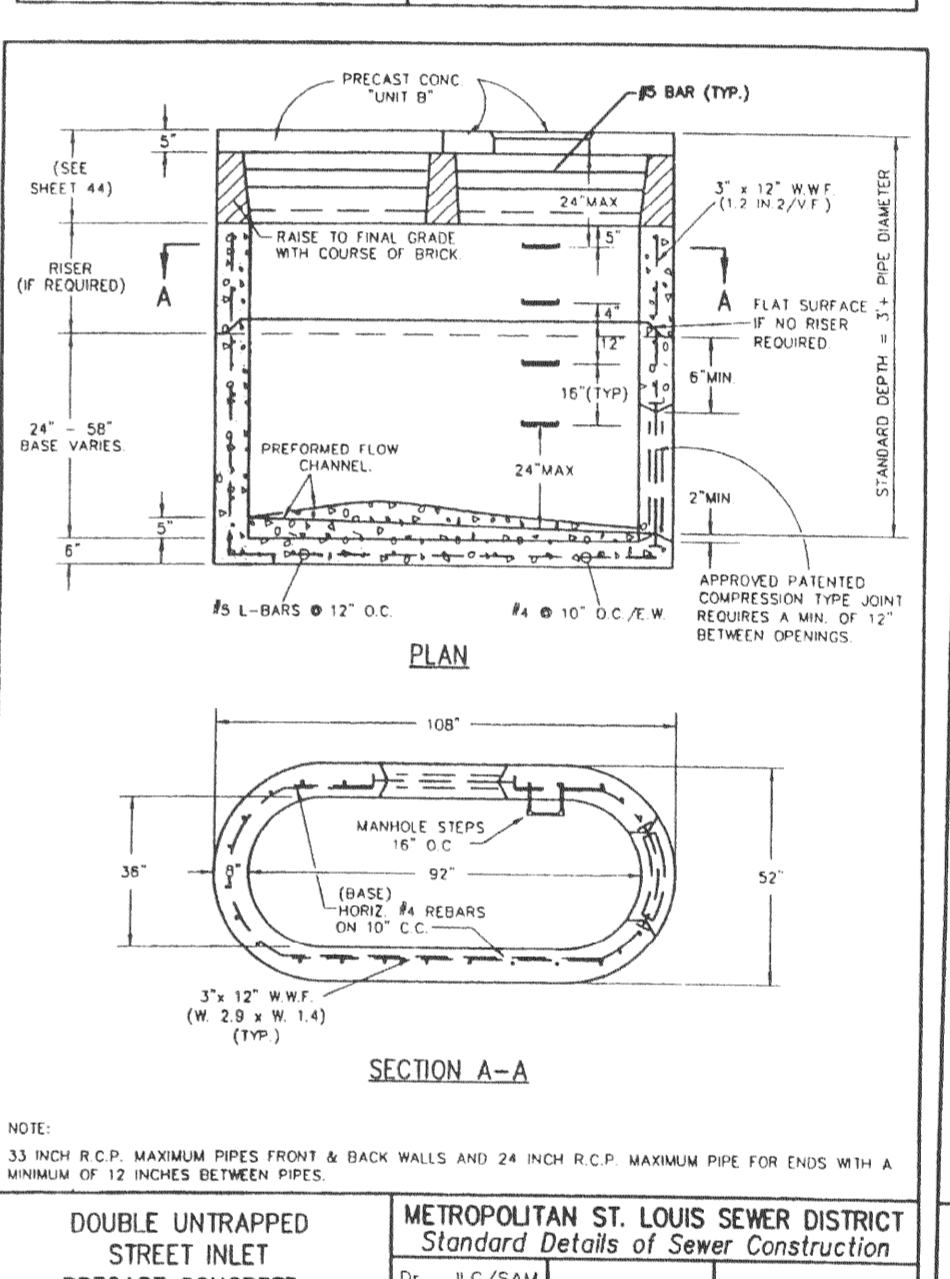
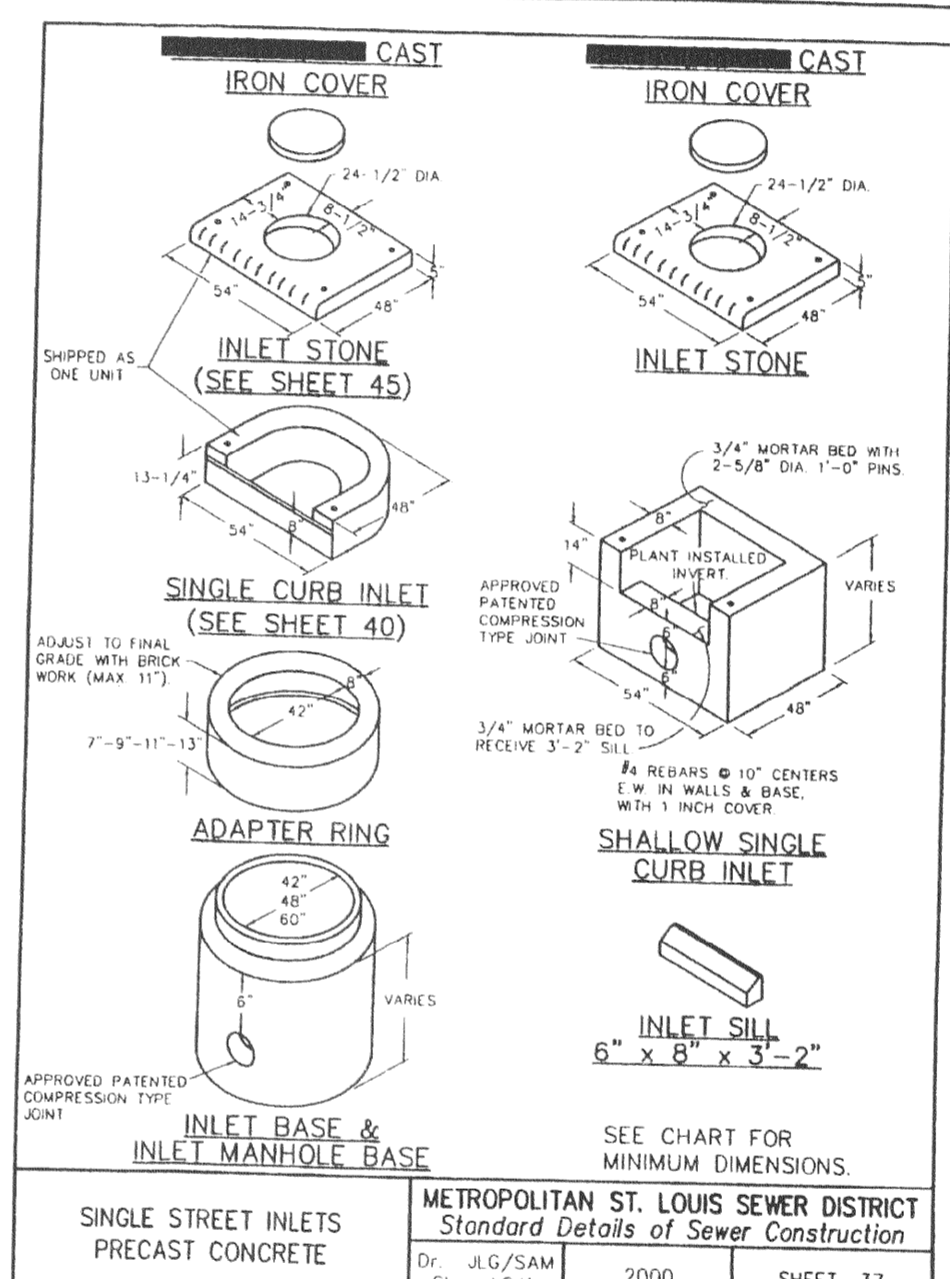
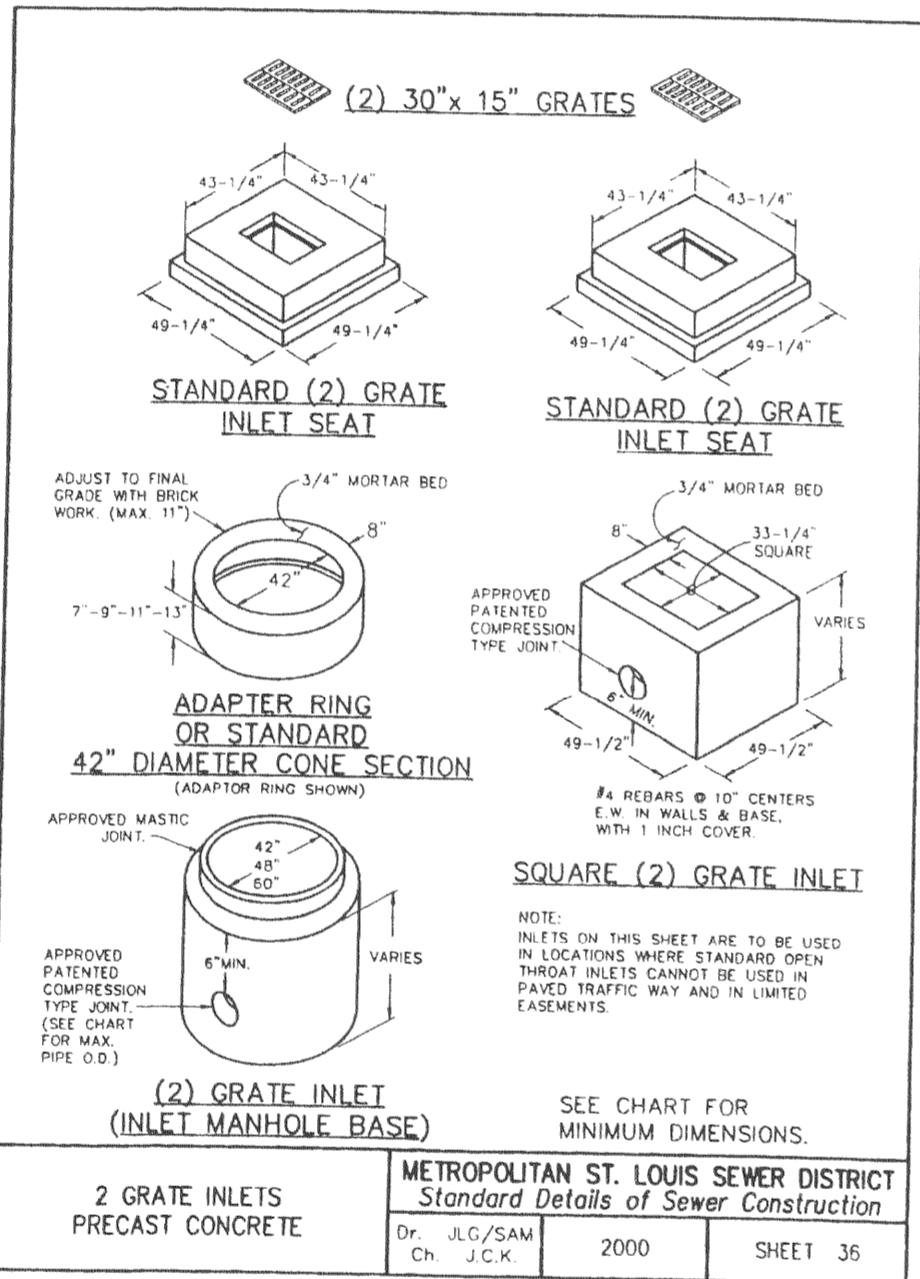
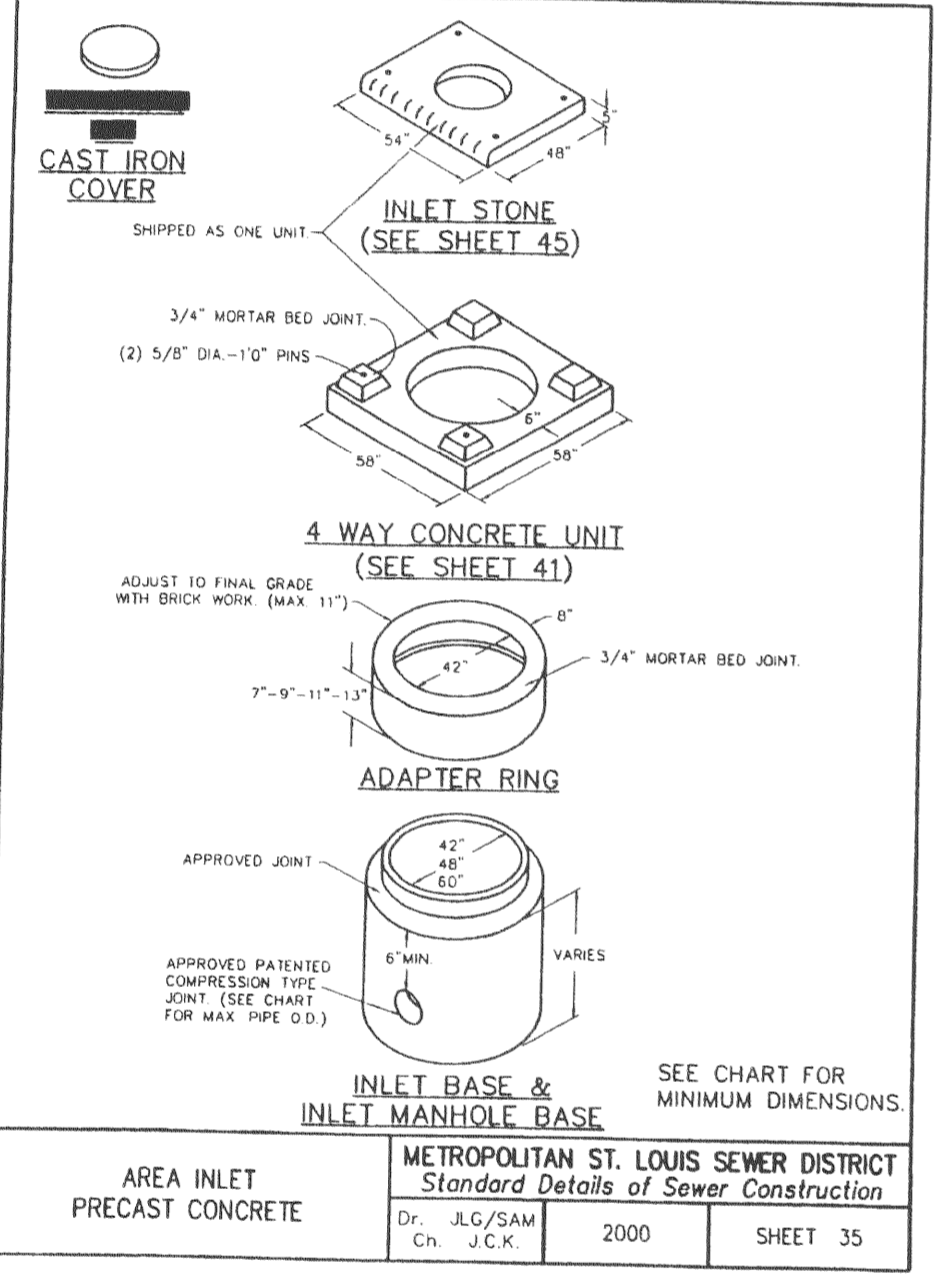
MINIMUM DISTANCE FLOWLINE TO TOP OF STONE OR GRATE

PIPE I.D. NOMINAL INCHES	AREA INLET CIRCULAR BASE DIA.	(2) GRATE INLET CIRCULAR BASE DIA. SQUARE	SINGLE STREET INLET CIRCULAR BASE DIA. RECTANGLE
12"	45"	38"	31"
15"	48"	41"	34"
18"	52"	44"	37"
21"	55"	47"	40"
24"	58"	50"	43"
27"	61"	53"	46"
30"	64"	56"	49"
33"	67"	59"	52"

SEE SHEET 35 FOR DETAILS (SEE SHEET 36 FOR DETAILS) (SEE SHEET 37 FOR DETAILS)

NOTES:
1) 48" DIAMETER BASE REQUIRES 7" HIGH TRANSITION SECTION TO 42" DIAMETER, SIMILAR TO "ADAPTER RING" SHEET 35.
2) 60" DIAMETER BASE REQUIRES 24" HIGH CONCENTRIC REDUCER TRANSITION TO 42" DIAMETER, SIMILAR TO "ADAPTER RING" SHEET 35.
3) STANDARD DEPTH = 24" PIPE DIAMETER.

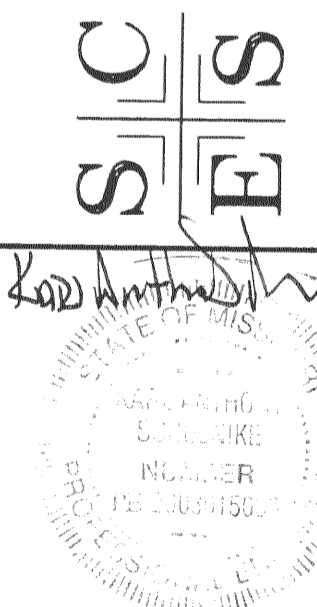
METROPOLITAN ST. LOUIS SEWER DISTRICT
Standard Details of Sewer Construction
Dr. J.L.G./SAM Ch. J.C.K. 2000 SHEET 34



NOTE! ADD #5 BAR TO THE THROAT OF ALL INLETS.

IMPROVEMENT PLANS BELLEAU CROSSING STORM DETAILS 1

ST. CHARLES ENGINEERING & SURVEYING, INC.
801 S. FIFTH STREET, SUITE 202
ST. CHARLES, MO 63301
TEL: (636) 947-0607 FAX: (636) 947-2448



2-8-08
ORDER NO. 04-1419-01
DATE 10/26/07
D-4