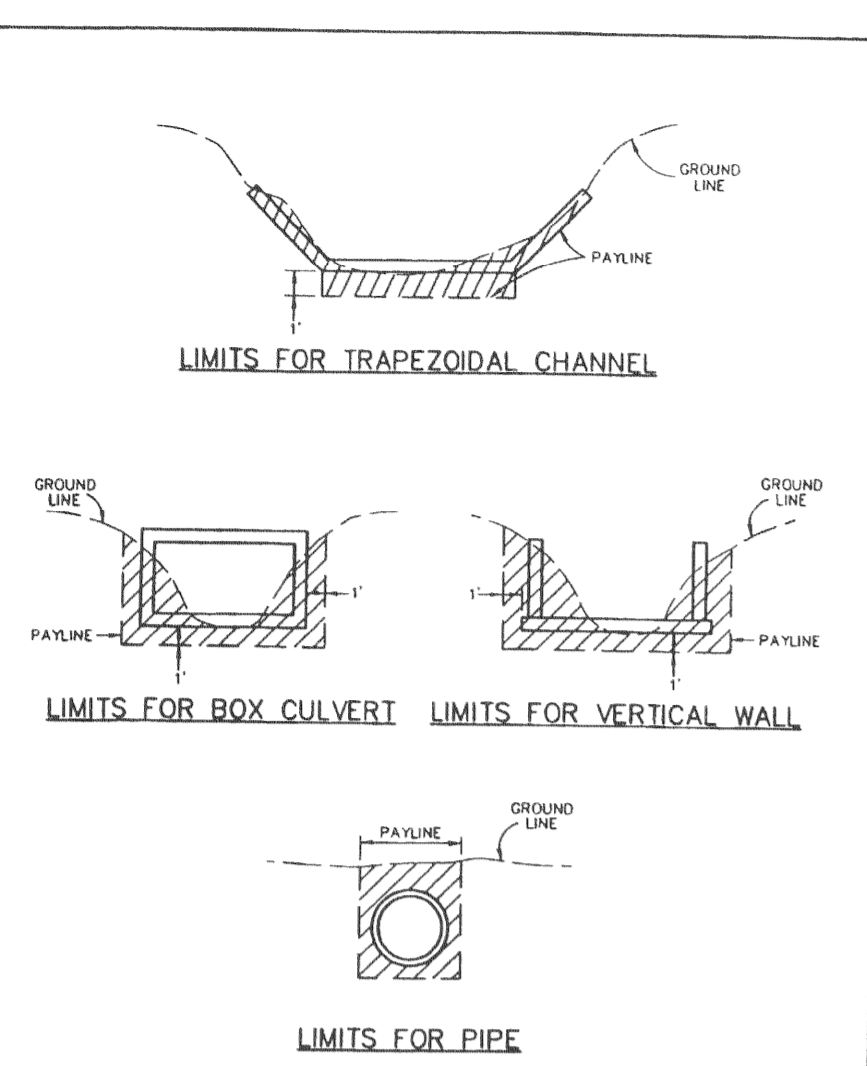
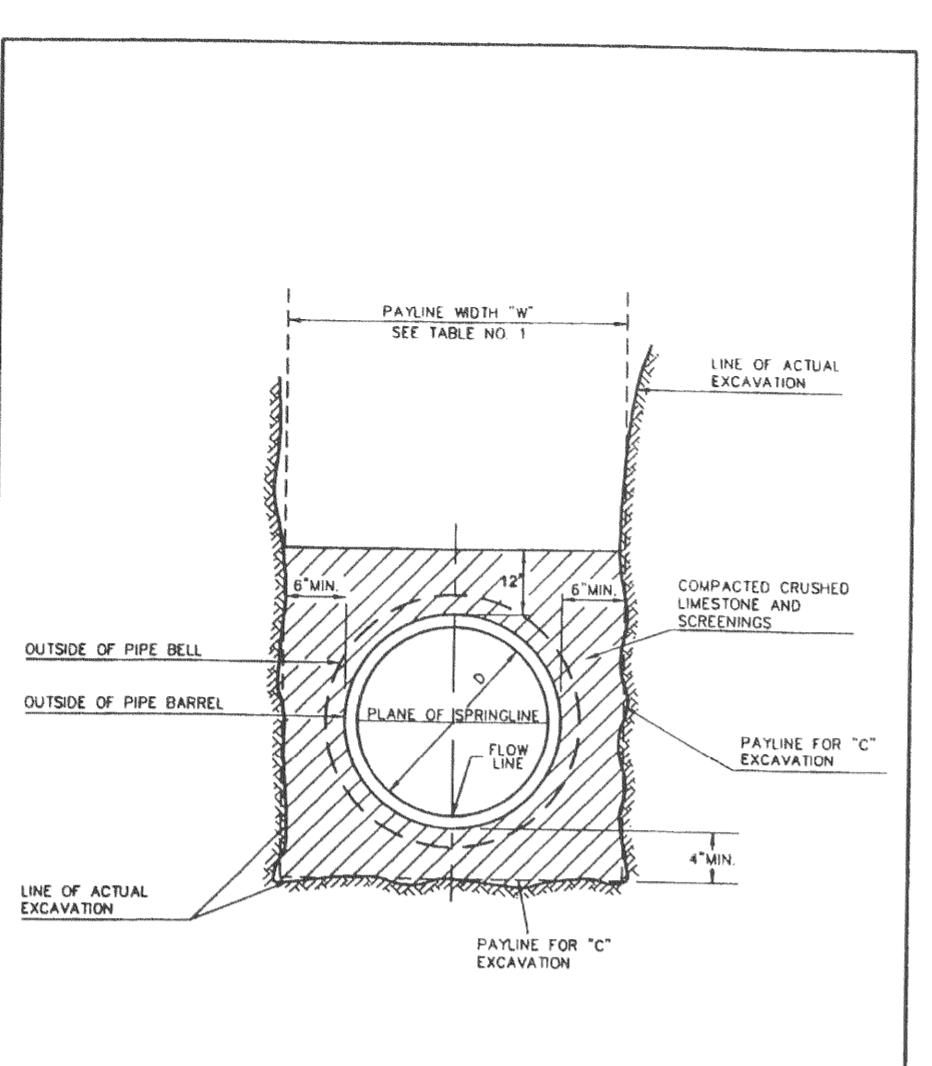


ROUND PIPE				HORIZONTAL ELLIPTICAL PIPE			
INSIDE DIAMETER OF PIPE (INCHES)	"W" PAYLINE WIDTH OF TRENCH (INCHES)	"W" PAYLINE WIDTH OF TRENCH (FEET)	PAY-VOLUMES CU. FT. PER FT. OF TRENCH	INSIDE DIMENSIONS (INCHES)	"W" PAYLINE WIDTH OF TRENCH (INCHES)	"W" PAYLINE WIDTH OF TRENCH (FEET)	PAY-VOLUMES CU. FT. PER FT. OF TRENCH
4	30	2.50	3.28				
6	30	2.50	3.59				
8	30	2.50	3.87				
10	30	2.50	4.09				
12	30	2.50	4.25				
15	36	3.00	5.55				
18	36	3.00	5.77	14 x 23	41	3.42	5.84
21	39	3.25	6.61				
24	42	3.50	7.39	19 x 30	49	4.08	7.68
27	45	3.75	8.18	22 x 34	53	4.42	8.61
30	49	4.08	9.30	24 x 38	58	4.83	9.70
33	53	4.42	10.53	27 x 42	62	5.17	10.71
36	56	4.67	11.43	29 x 45	66	5.50	11.72
DISCONTINUED							
42	63	5.25	13.36	34 x 53	75	6.25	14.05
48	70	5.83	15.67	38 x 60	83	6.92	16.18
54	77	6.42	18.15	43 x 68	92	7.67	18.81
60	84	7.00	20.73	48 x 76	101	8.42	21.59
66	91	7.58	23.45	53 x 83	109	9.08	24.35
72	98	8.17	26.37	58 x 91	118	9.83	27.45
78	105	8.75	29.59	63 x 98	126	10.50	30.50
84	112	9.32	32.57	68 x 106	135	11.25	33.91
90	119	9.92	35.80	72 x 113	143	11.92	36.99
96	126	10.50	39.37	77 x 121	152	12.67	40.69
102	133	11.08	42.99	82 x 129	160	13.33	44.45
108	140	11.67	46.75	87 x 136	168	14.00	47.79
114	147	12.25	50.66	92 x 143	176	14.67	51.70
120	154	12.83	54.72	97 x 151	185	15.42	56.01
126	161	13.42	58.92				
132	168	14.00	63.27	106 x 166	202	16.83	64.48
144	182	15.17	72.40	116 x 180	218	18.17	73.59

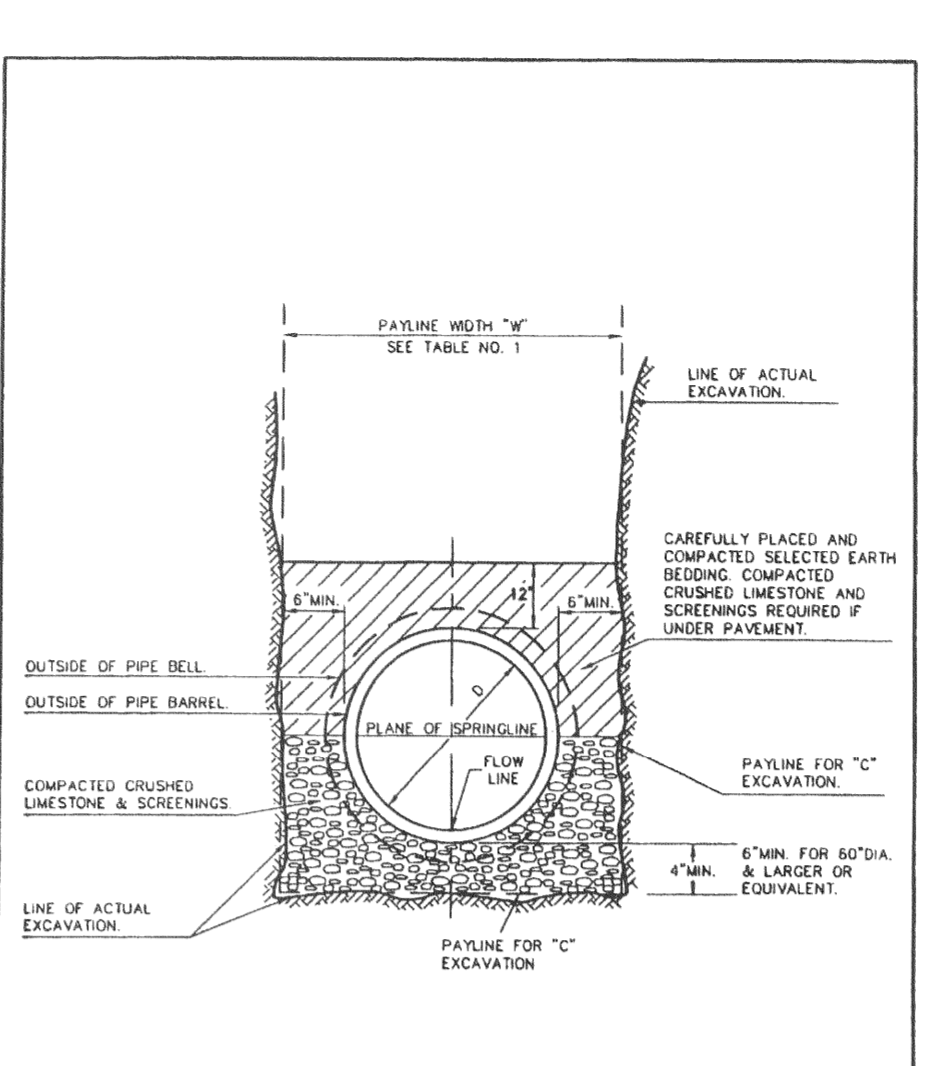
TABLE 1
PAYLINE WIDTHS OF TRENCH AND PAY-VOLUMES OF CONCRETE
METROPOLITAN ST. LOUIS SEWER DISTRICT
Standard Details of Sewer Construction
Dr. D.B. Ch. J.C.K. 2000 SHEET 1



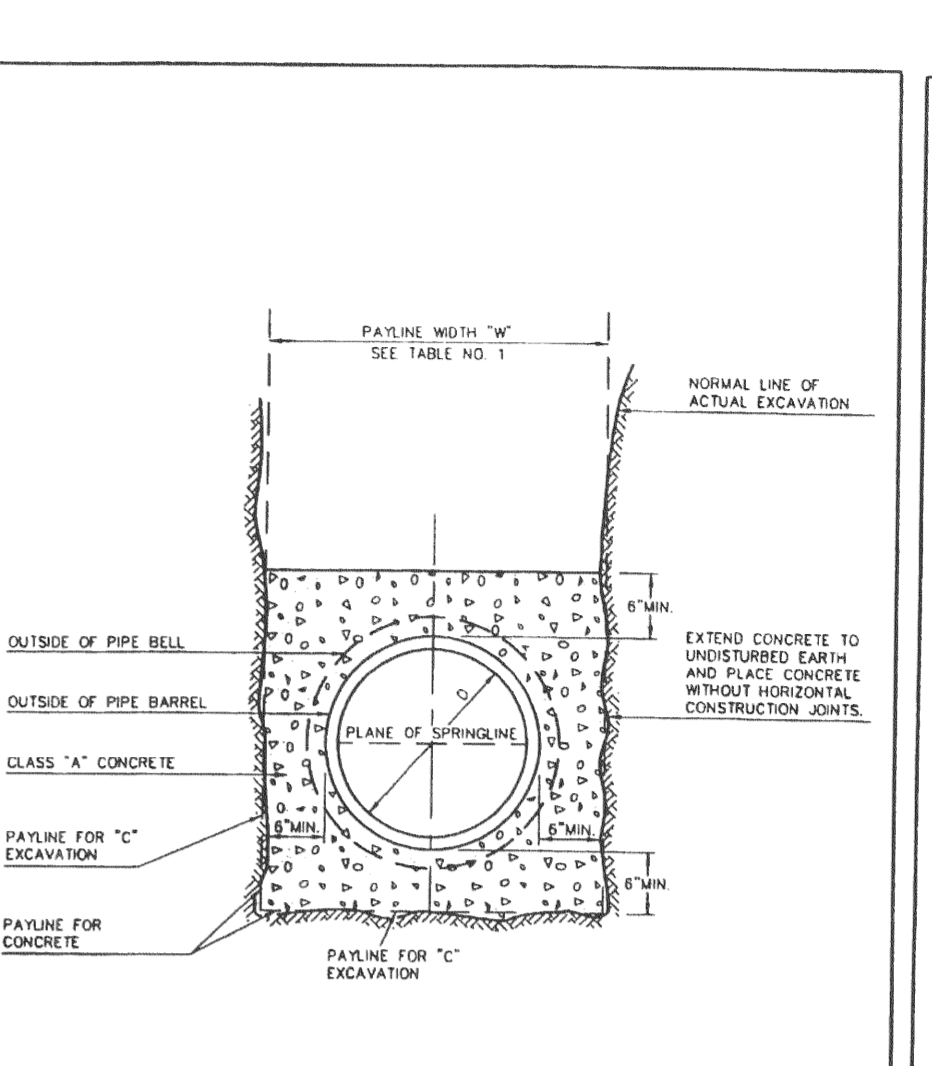
NOTE:
PAYLINE FOR ANY OTHER TYPE OF CHANNEL EXCAVATION SHALL BE THE EXACT SHAPE OF THE SUBGRADE.
METROPOLITAN ST. LOUIS SEWER DISTRICT
Standard Details of Sewer Construction
Dr. W.S.H. Ch. J.C.K. 2000 SHEET 2



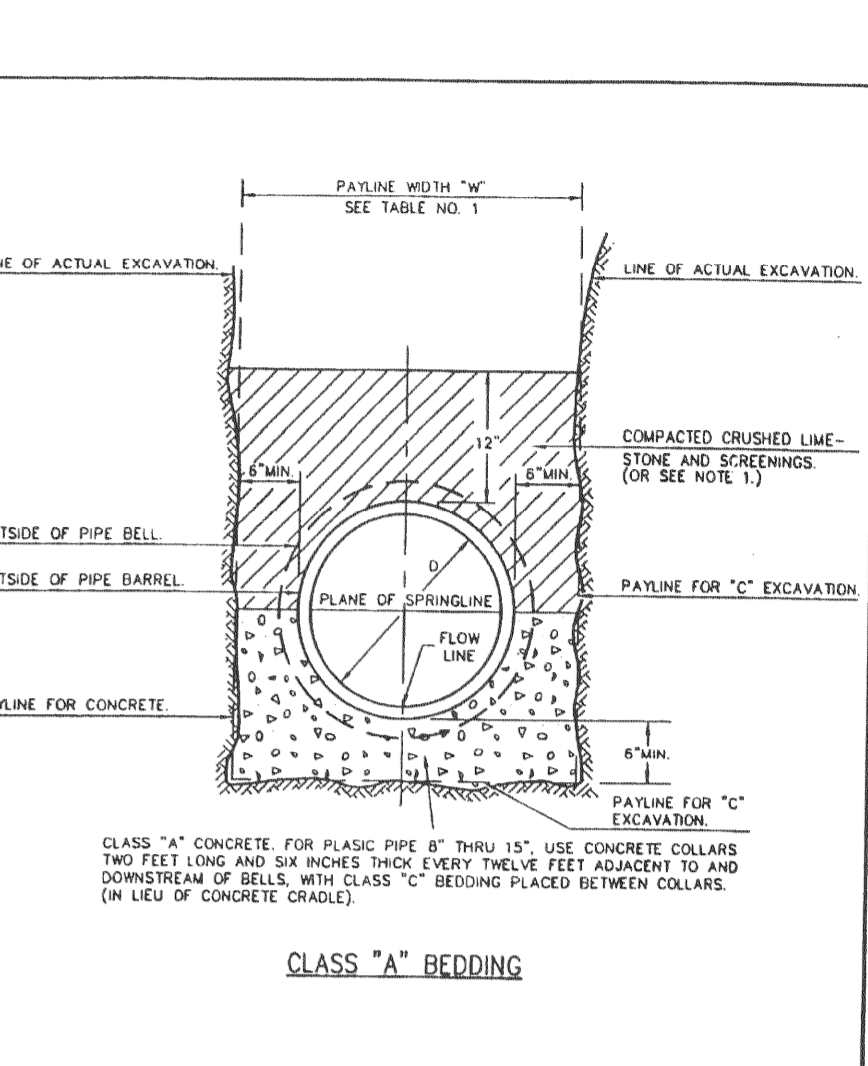
PIPE BEDDING CLASS "C"
(FOR ALL PIPE EXCEPT REINFORCED CONCRETE PIPE)
METROPOLITAN ST. LOUIS SEWER DISTRICT
Standard Details of Sewer Construction
Dr. W.S.H. Ch. J.C.K. 2000 SHEET 4



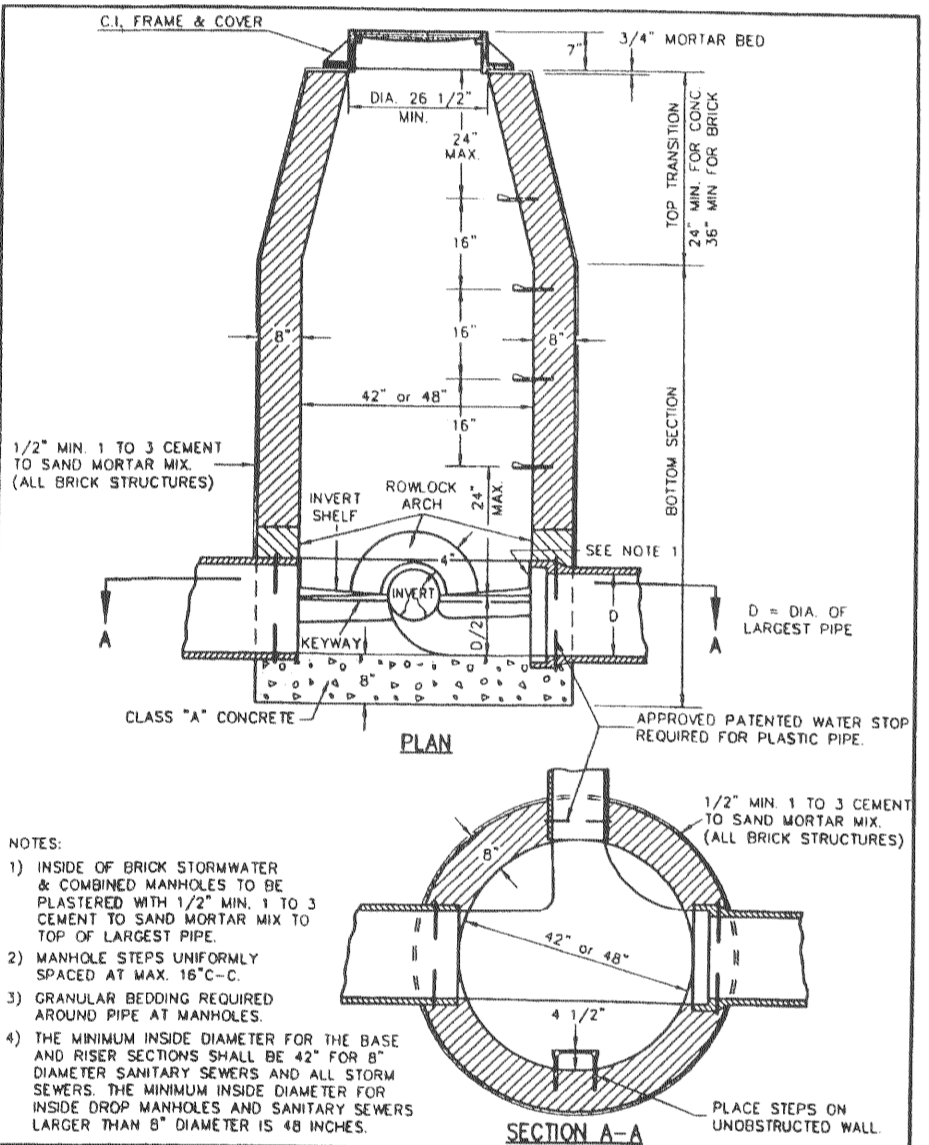
PIPE BEDDING CLASS "C"
(MODIFIED FOR REINFORCED CONCRETE PIPE)
METROPOLITAN ST. LOUIS SEWER DISTRICT
Standard Details of Sewer Construction
Dr. W.S.H. Ch. J.C.K. 2000 SHEET 5



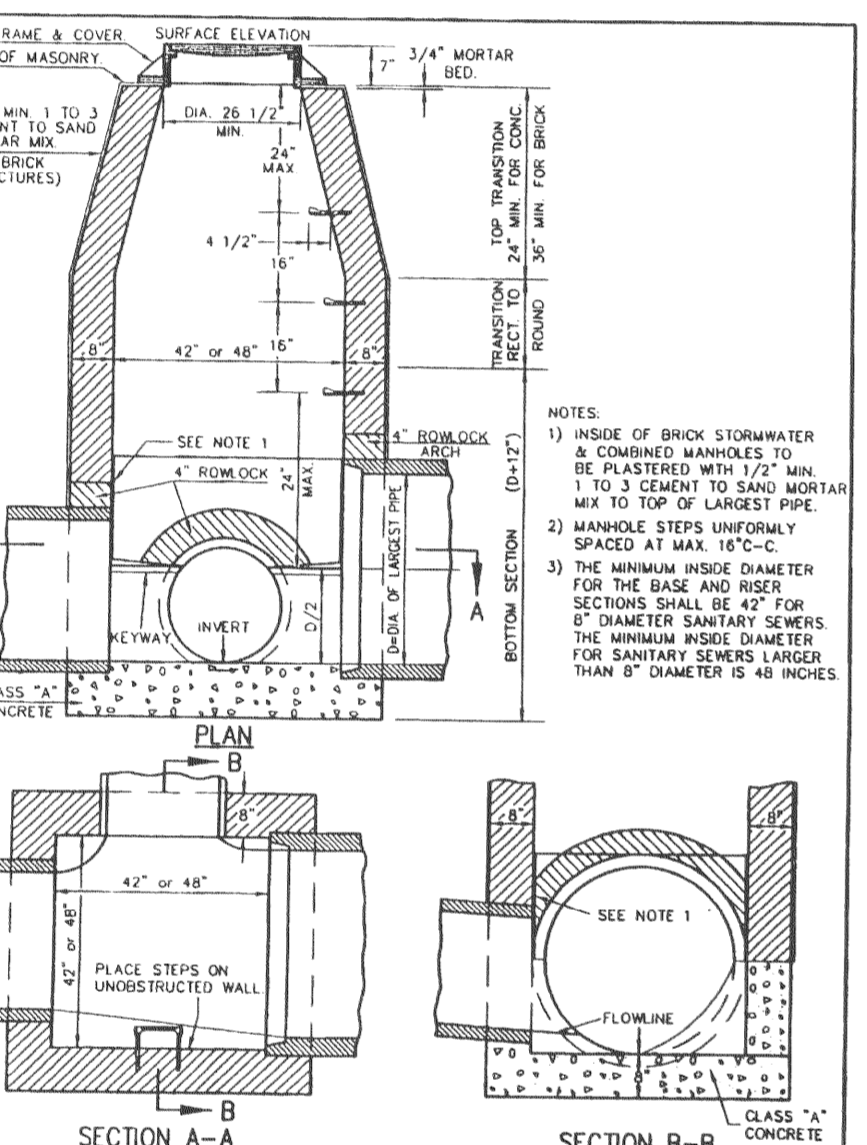
CONCRETE ENCASUREMENT
METROPOLITAN ST. LOUIS SEWER DISTRICT
Standard Details of Sewer Construction
Dr. W.S.H. Ch. J.C.K. 2000 SHEET 8



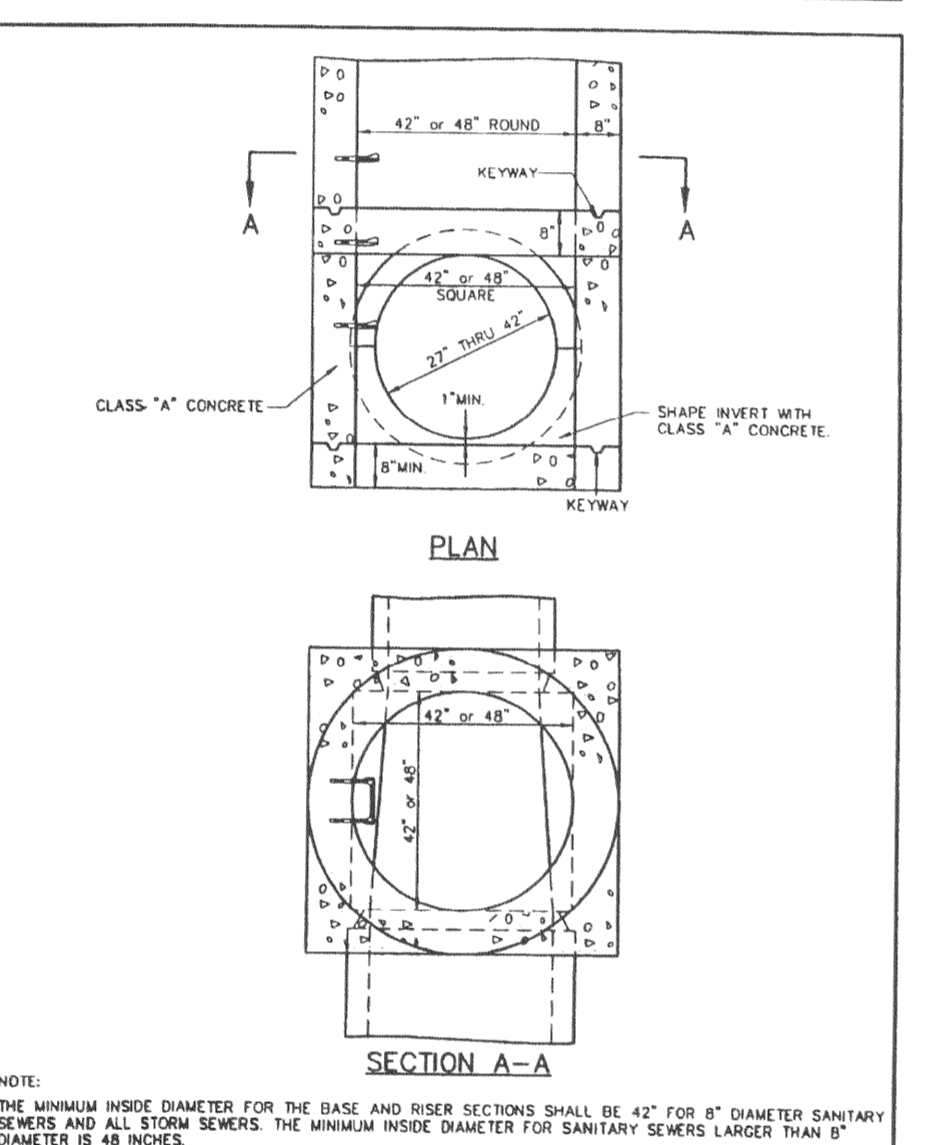
CLASS "A" BEDDING
METROPOLITAN ST. LOUIS SEWER DISTRICT
Standard Details of Sewer Construction
Dr. W.S.H./S.A.M. Ch. J.C.K. 2000 SHEET 9



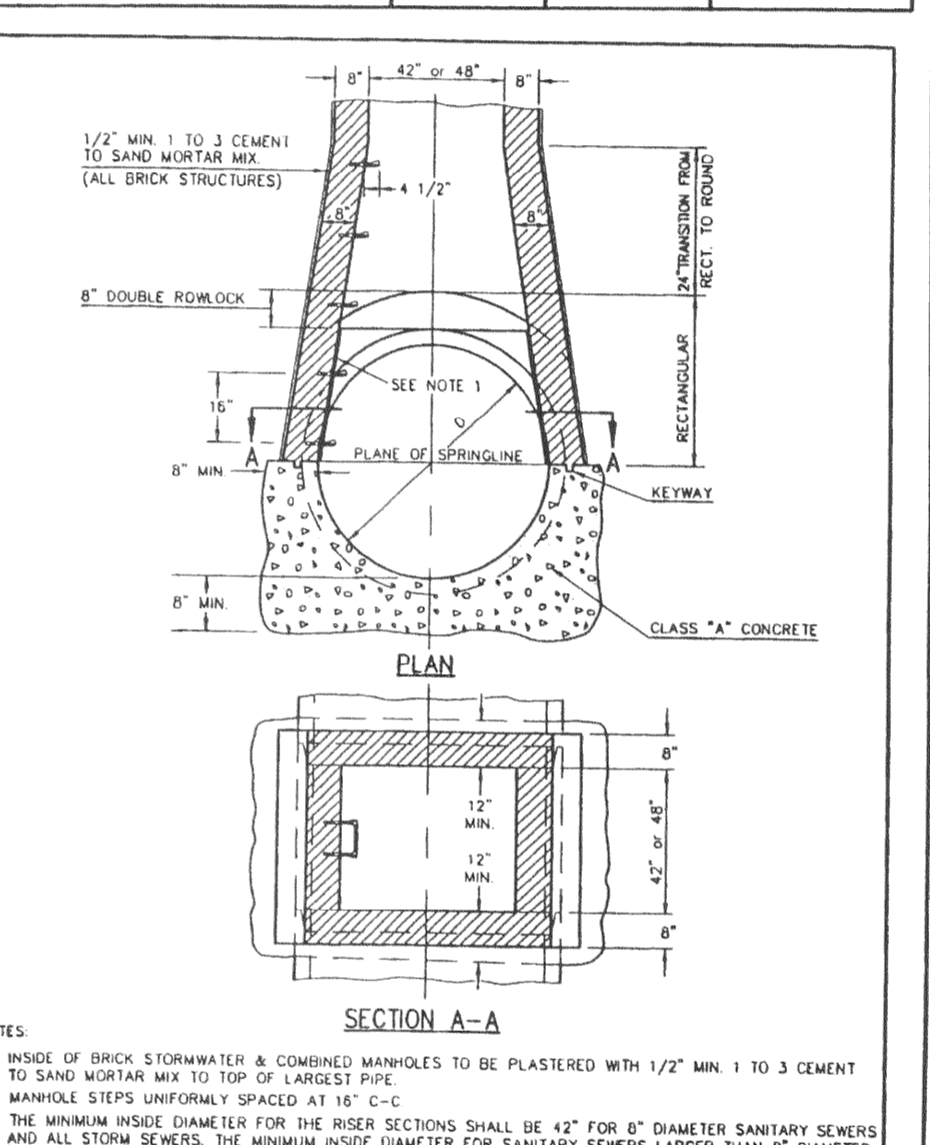
TYPICAL LINE MANHOLE ON PIPE SEWER 27" THRU 42" IN DIAMETER
METROPOLITAN ST. LOUIS SEWER DISTRICT
Standard Details of Sewer Construction
Dr. W.S.H./S.A.M. Ch. J.C.K. 2000 SHEET 10



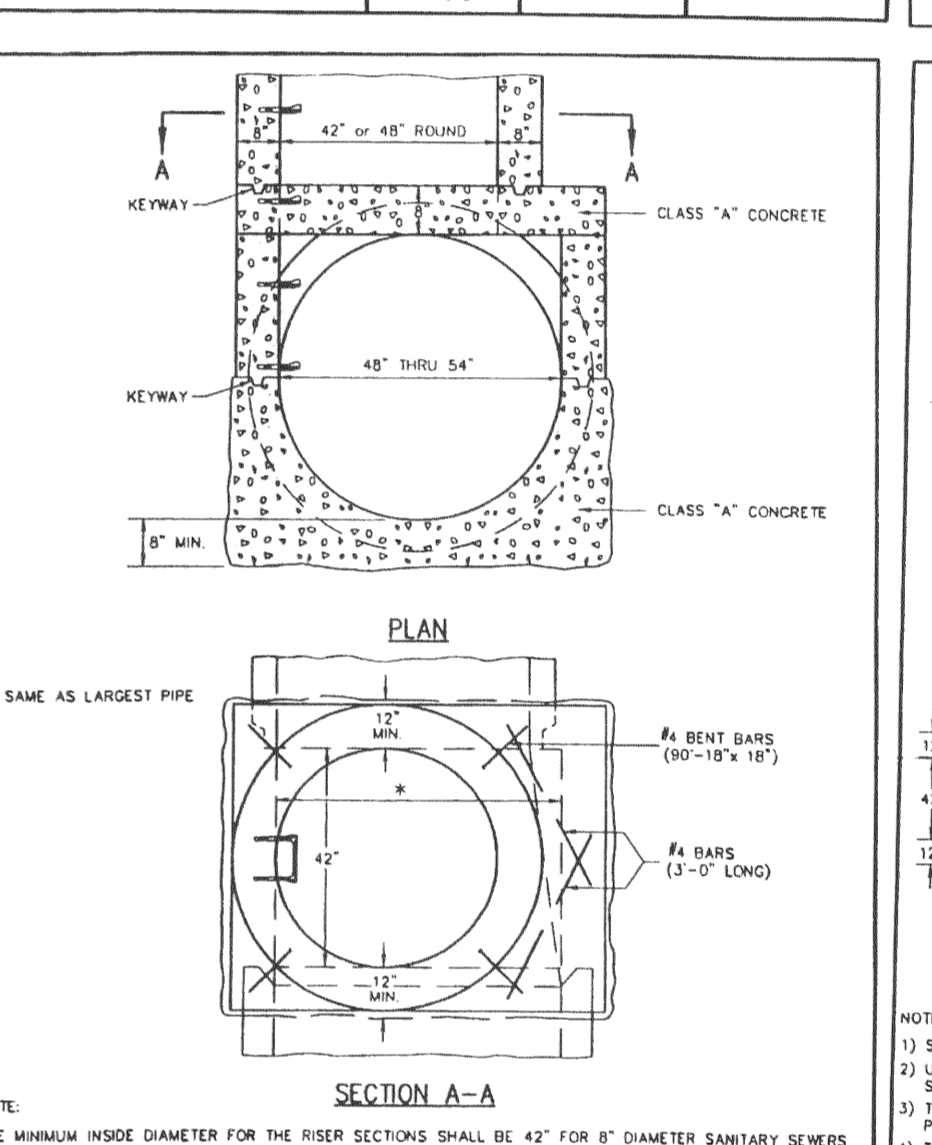
MANHOLE ON PIPE SEWER 27" THRU 42" (ALTERNATE)
METROPOLITAN ST. LOUIS SEWER DISTRICT
Standard Details of Sewer Construction
Dr. D.A.B./S.A.M. Ch. J.C.K. 2000 SHEET 12



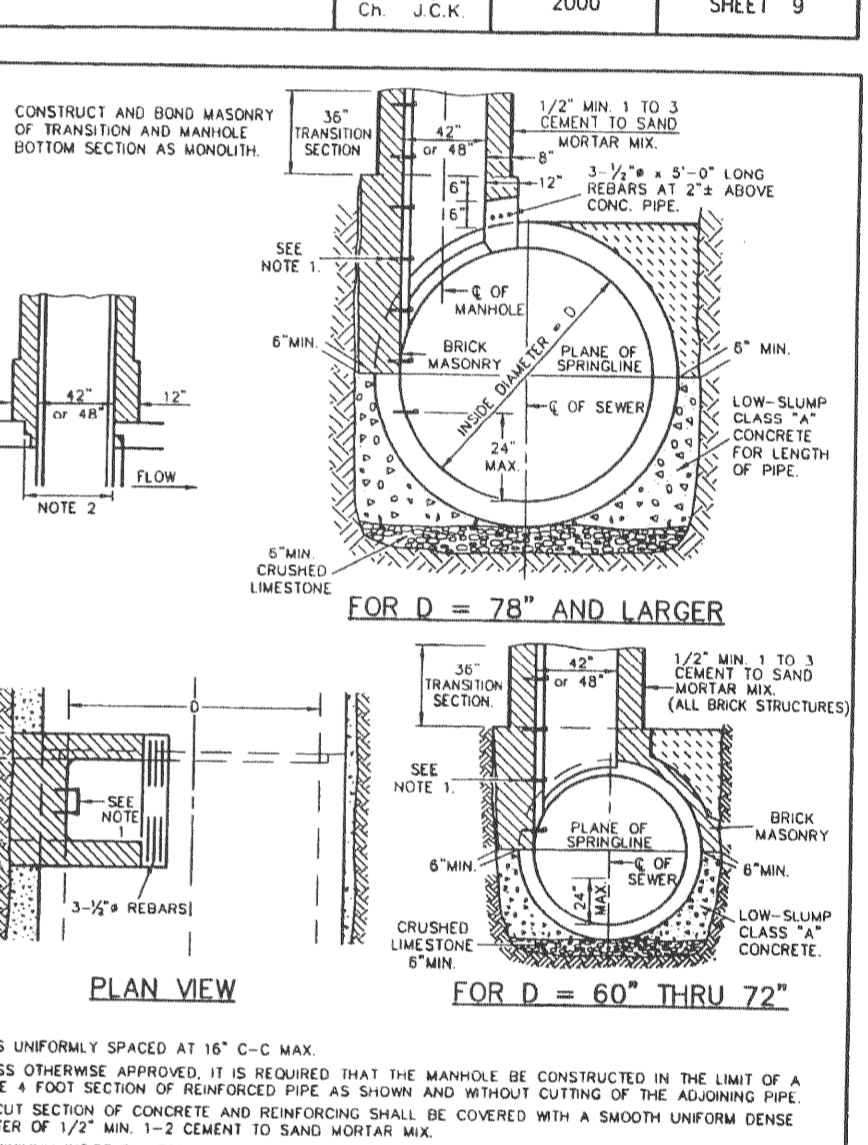
MANHOLE ON CONCRETE PIPE SEWERS 48" THRU 54" DIAMETER
METROPOLITAN ST. LOUIS SEWER DISTRICT
Standard Details of Sewer Construction
Dr. W.S.H./S.A.M. Ch. J.C.K. 2000 SHEET 13



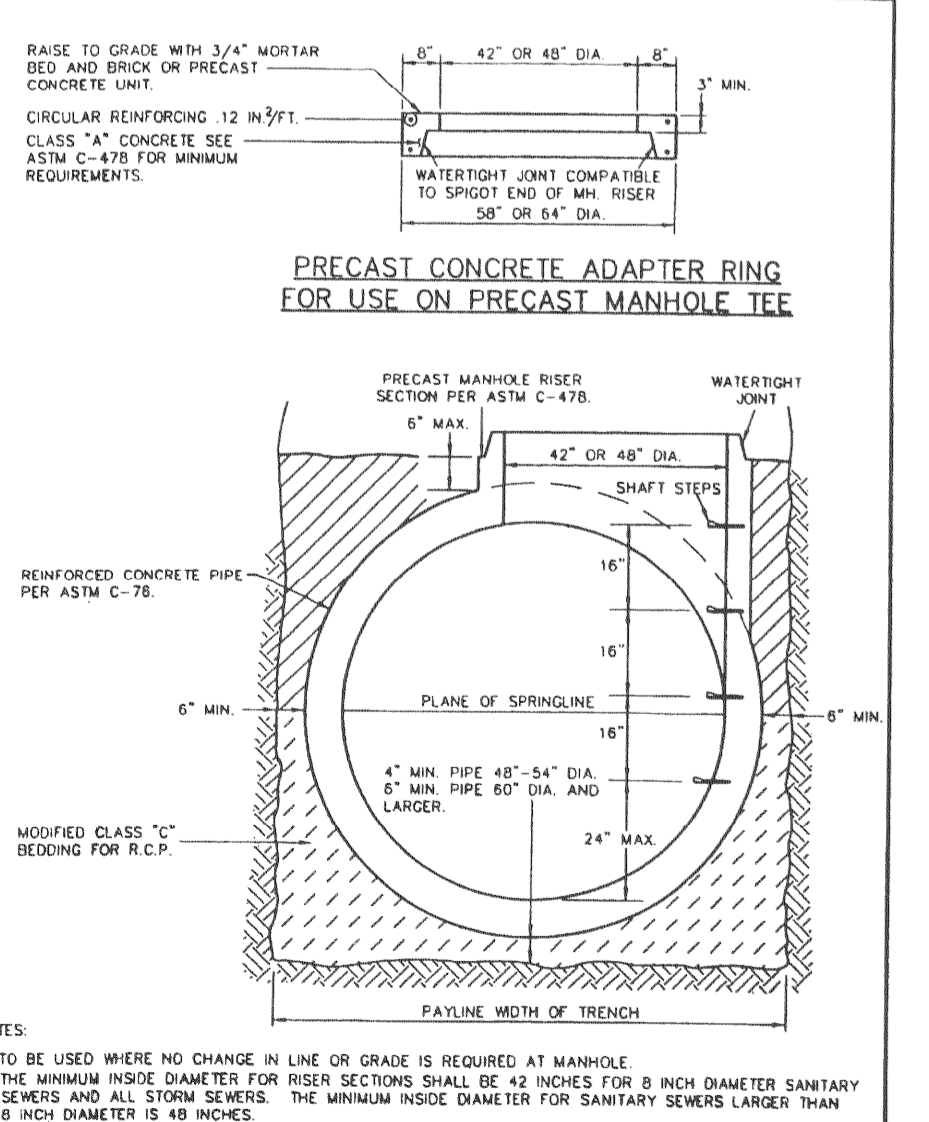
MANHOLE ON CONC. PIPE 48" THRU 54" (ALTERNATE)
METROPOLITAN ST. LOUIS SEWER DISTRICT
Standard Details of Sewer Construction
Dr. W.S.H./S.A.M. Ch. J.C.K. 2000 SHEET 14



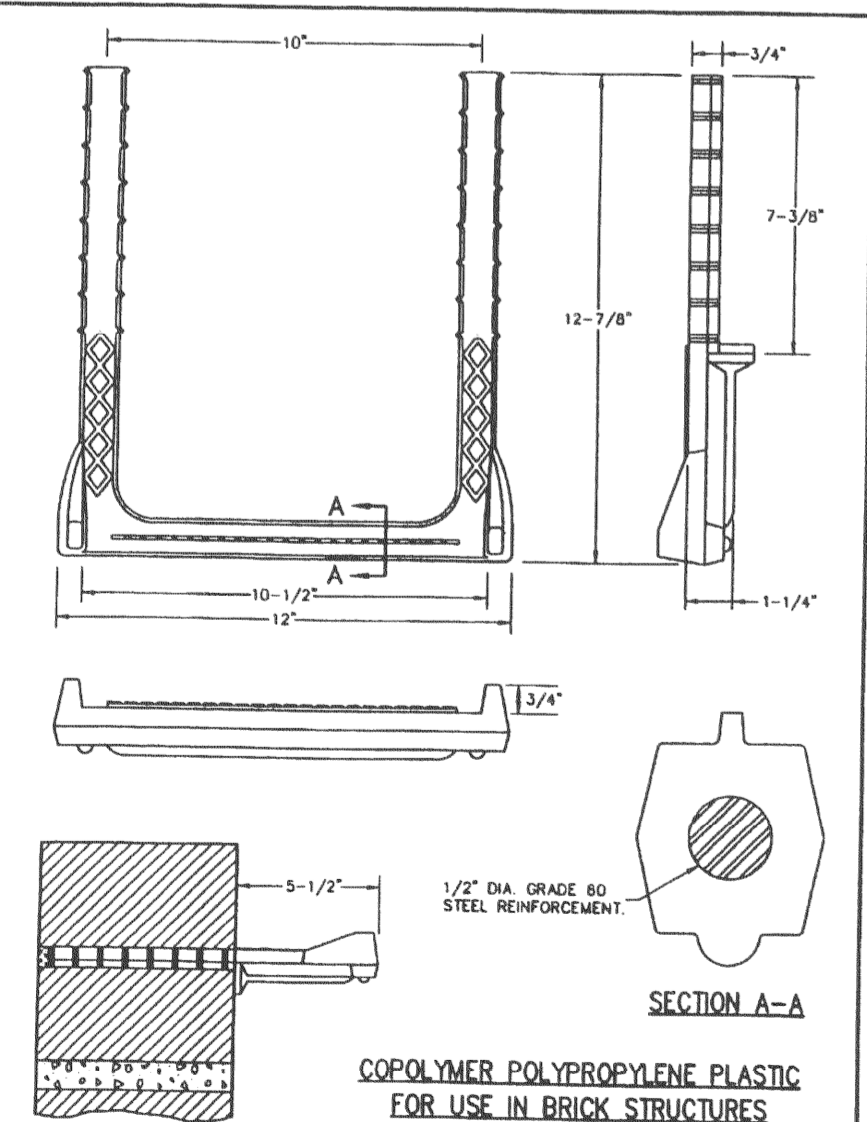
TYPICAL MANHOLE BASE REINFORCED CONCRETE PIPE SEWERS 60" AND LARGER IN DIAMETER
METROPOLITAN ST. LOUIS SEWER DISTRICT
Standard Details of Sewer Construction
Dr. W.S.H./S.A.M. Ch. J.C.K. 2000 SHEET 15



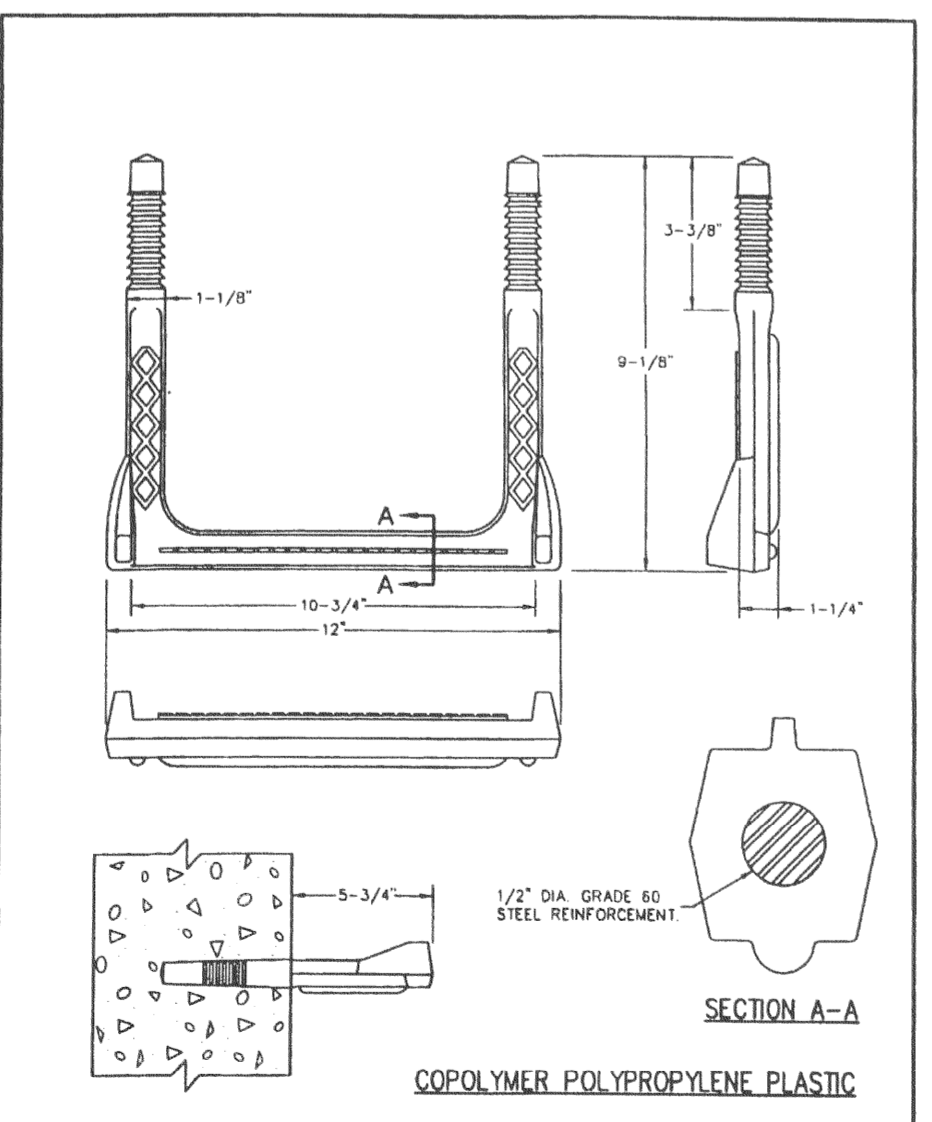
PRECAST CONCRETE ADAPTER RING FOR USE ON PRECAST MANHOLE TEE
METROPOLITAN ST. LOUIS SEWER DISTRICT
Standard Details of Sewer Construction
Dr. W.S.H./S.A.M. Ch. J.C.K. 2000 SHEET 24



TYPICAL PRECAST MANHOLE TEE FOR REINFORCED CONCRETE PIPE SEWERS 48 INCH AND LARGER IN DIAMETER
METROPOLITAN ST. LOUIS SEWER DISTRICT
Standard Details of Sewer Construction
Dr. W.S.H./S.A.M. Ch. J.C.K. 2000 SHEET 24



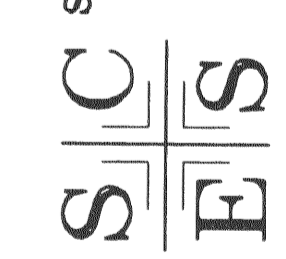
PSI-B MANHOLE STEP INTO JOINT
METROPOLITAN ST. LOUIS SEWER DISTRICT
Standard Details of Sewer Construction
Dr. W.S.H. Ch. J.C.K. 2000 SHEET 57



MANHOLE STEP FOR PRECAST & CAST-IN-PLACE MANHOLE
METROPOLITAN ST. LOUIS SEWER DISTRICT
Standard Details of Sewer Construction
Dr. D.A.B. Ch. J.C.K. 2000 SHEET 58

IMPROVEMENT PLANS
BELLEAU CROSSING
STORM DETAILS 2

ST. CHARLES ENGINEERING & SURVEYING, INC.
801 S. FIFTH STREET, SUITE 202
ST. CHARLES, MO 63801
TEL: (636) 947-0607 FAX: (636) 947-2448



ORDER NO.
04-1419-01
DATE
10/26/07
D-5