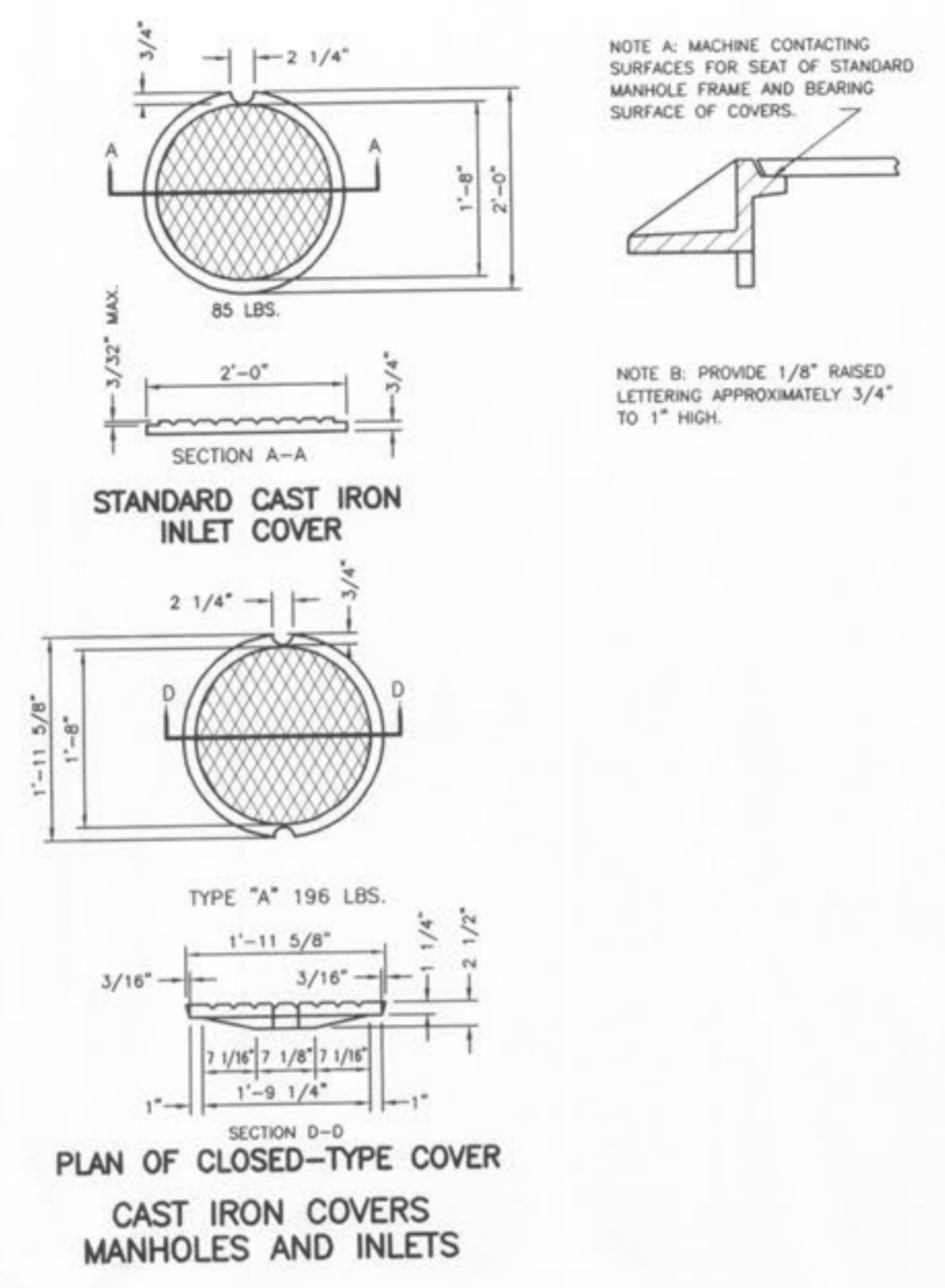
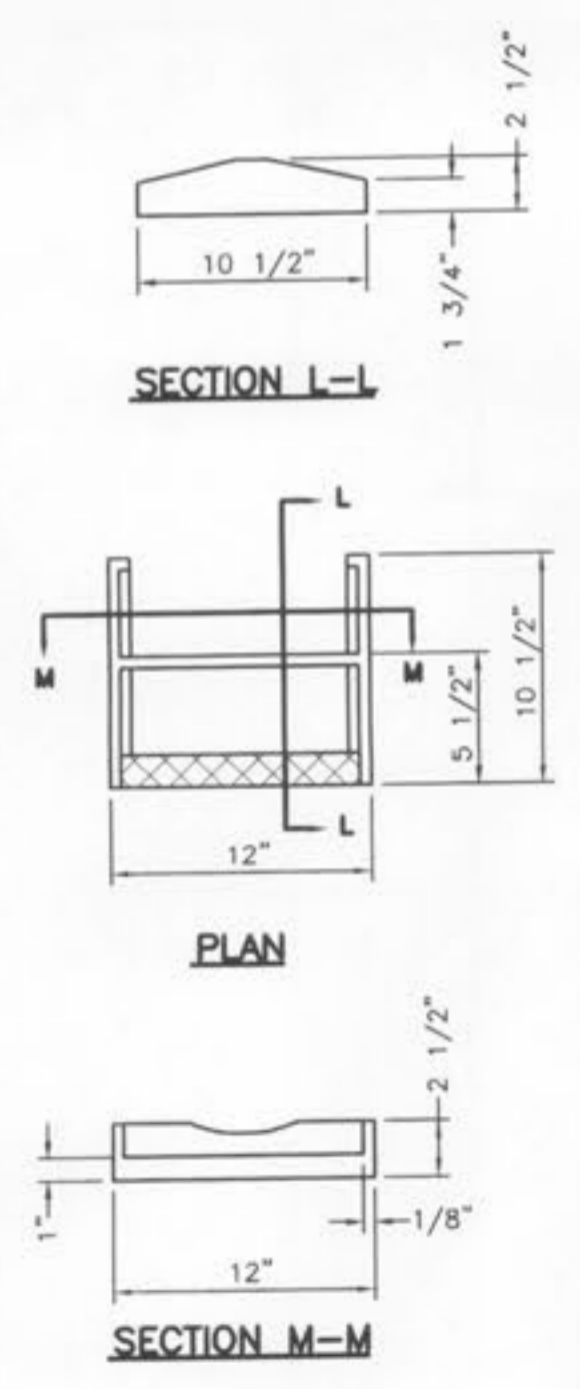
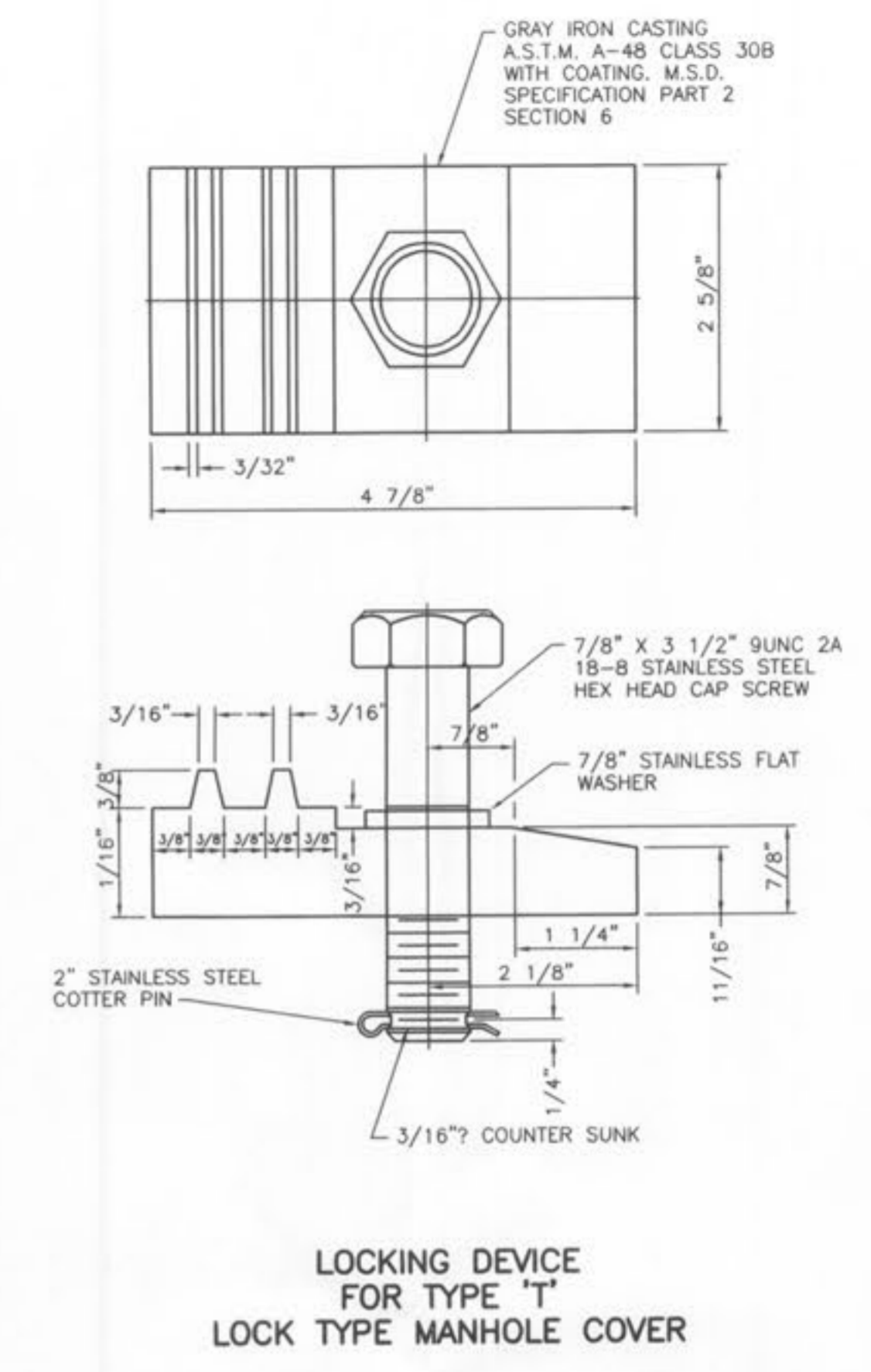
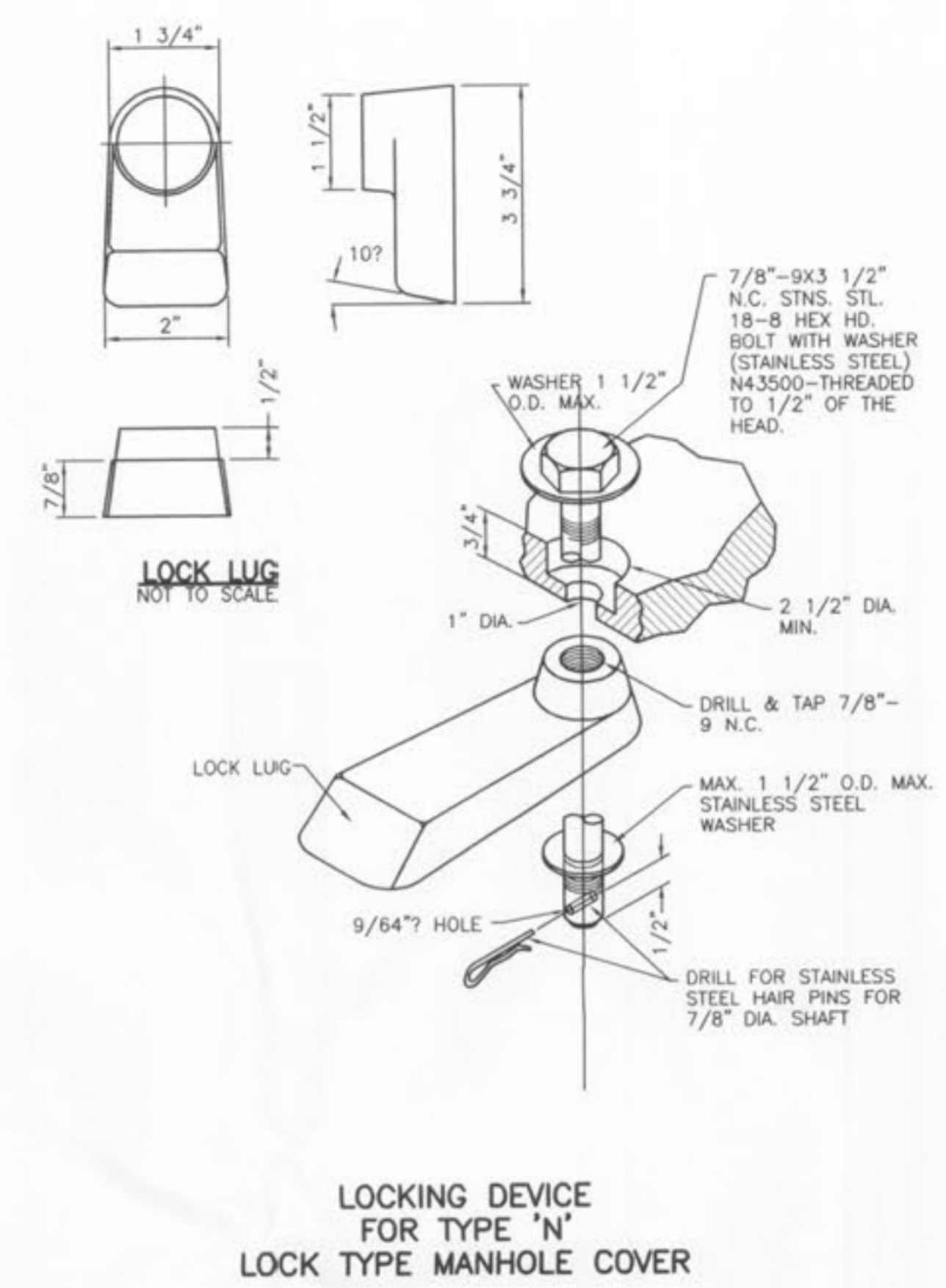


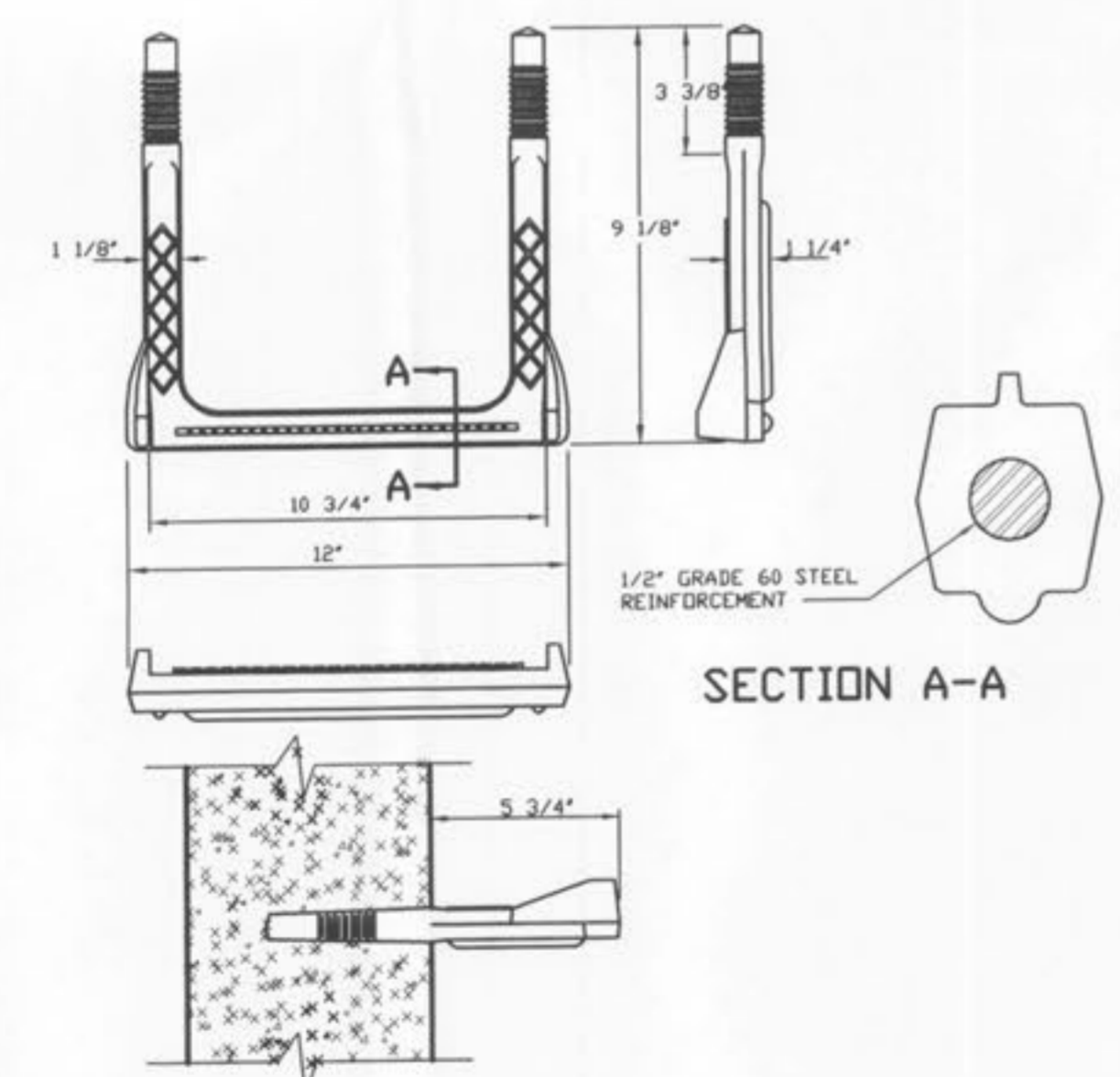
CAST IRON MANHOLE COVERS (LOCK TYPE)



CAST IRON COVERS MANHOLES AND INLETS



CAST IRON MANHOLE STEPS



COPOLYMER POLYPROPYLENE PLASTIC MANHOLE STEP FOR PRECAST MANHOLE



DISCLAIMER OF RESPONSIBILITY
I HEREBY SPECIFY THAT THE DOCUMENTS PROVIDED TO BE APPROVED BY MY SEAL ARE LIMITED TO THIS SHEET, AND I HEREBY DISCLAIM ANY RESPONSIBILITY FOR ALL OTHER DOCUMENTS, SPECIFICATIONS OR INSTRUMENTS RELATED TO OR REFERRED TO BEING FOR ANY PART OR PARTS OF THE PROJECTS, OR CONTRACTS PROJECT OR WORK.

DESIGNED: GDD
CHECKED: _____
DATE: _____
PROJECT NO.: _____
SHEET OF

ORDER NO. 041419
DATE 12/05/07
D-3

CITY OF FALLON
DEPARTMENT OF PUBLIC WORKS DESIGN GROUP
O'FALLON, MISSOURI

STANDARD SANITARY DETAILS

IMPROVEMENT PLANS
BELLEAU CROSSING
SANITARY DETAILS 2

ST. CHARLES ENGINEERING & SURVEYING, INC.
801 S. FIFTH STREET, SUITE 202
ST. CHARLES, MO 63301
TEL: (636) 947-0607 FAX: (636) 947-2448

