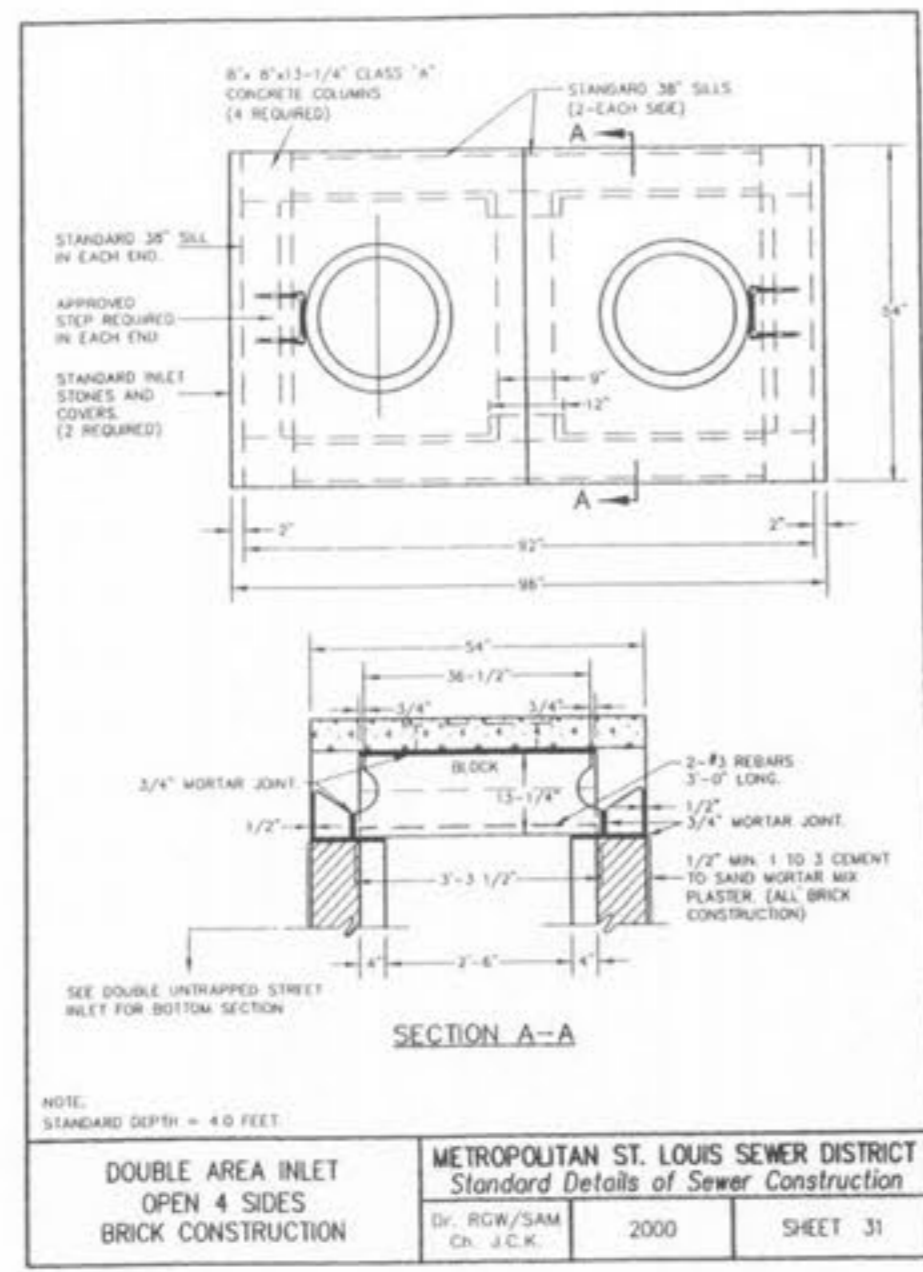
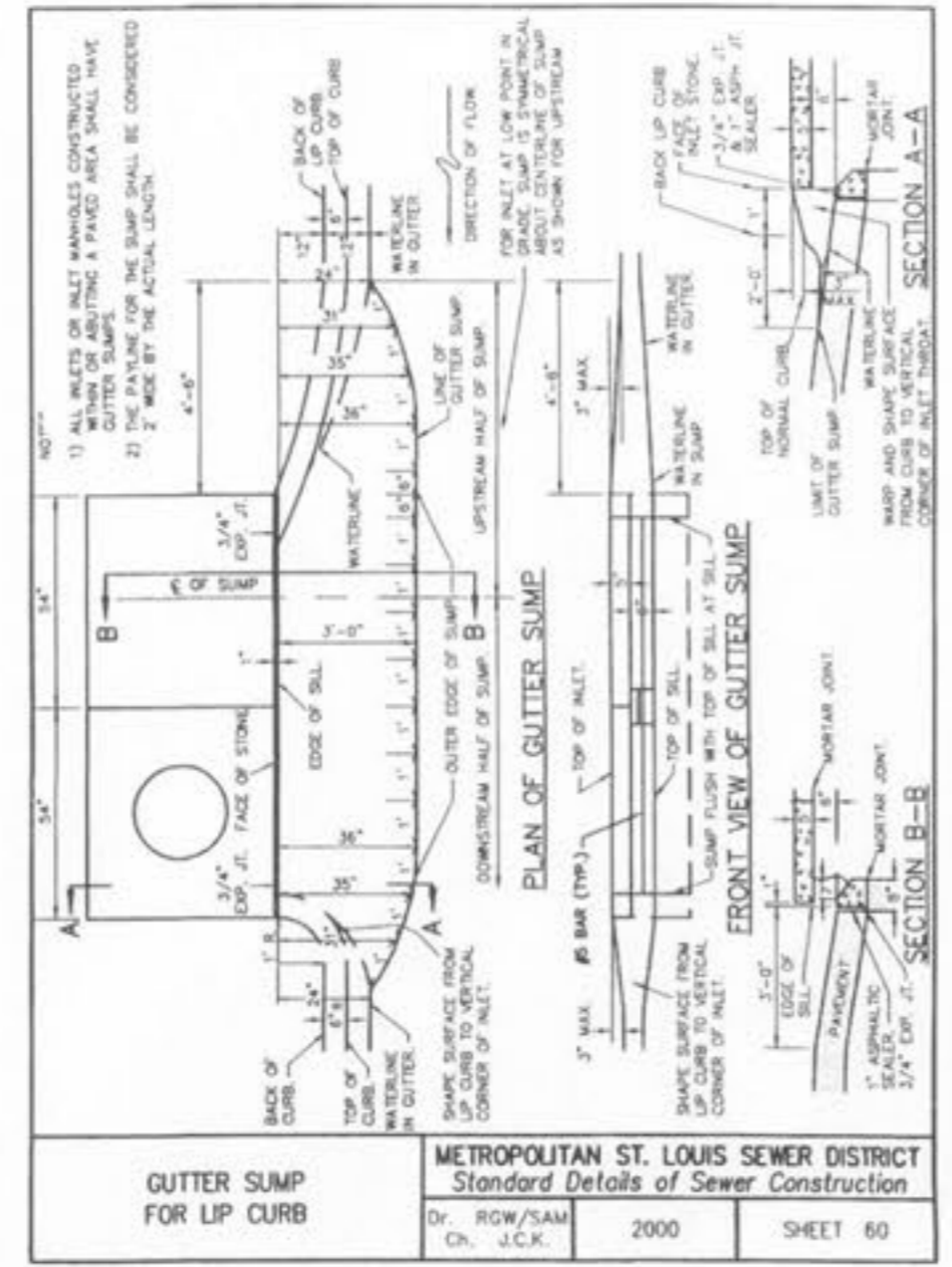


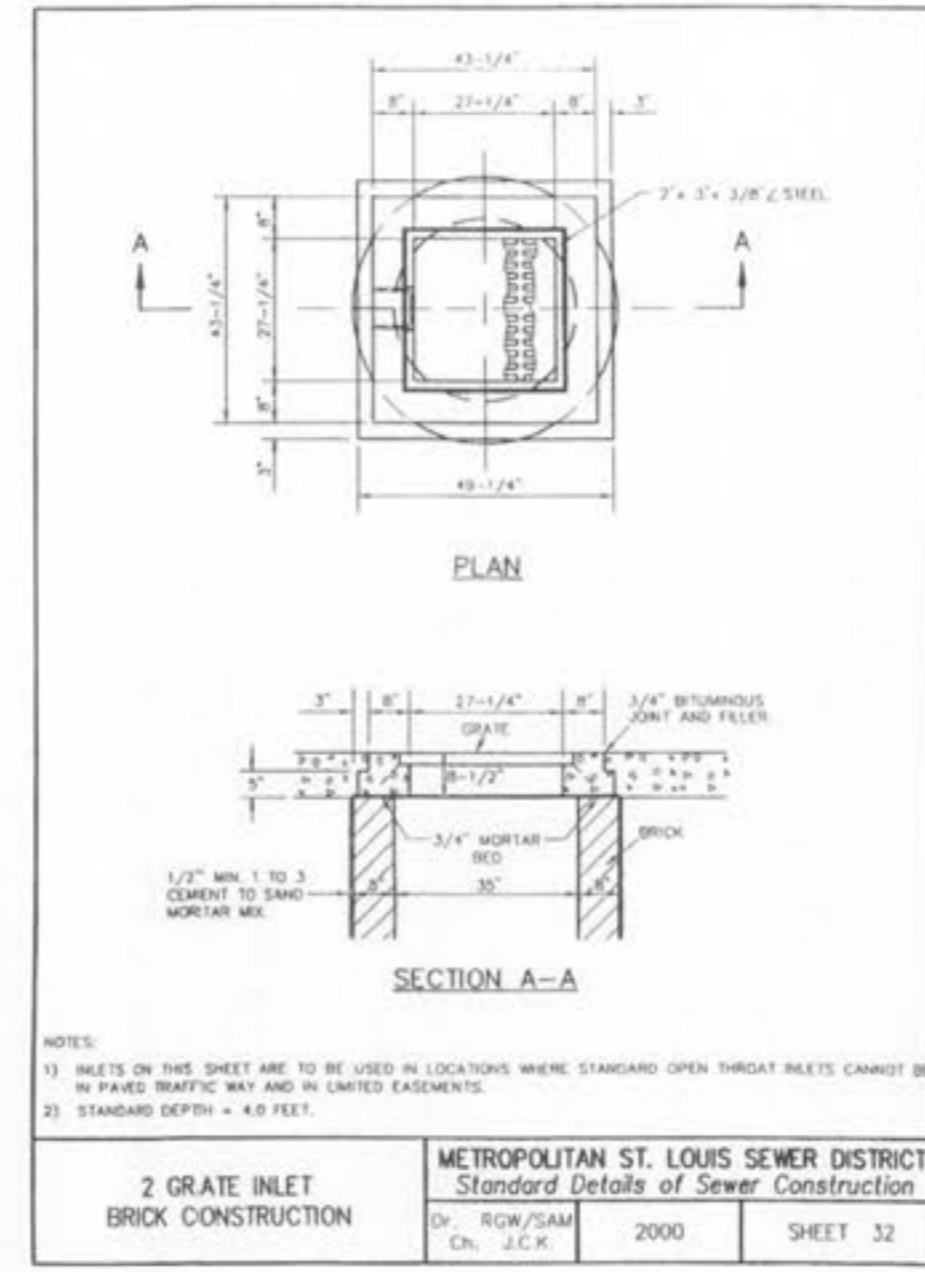
**AREA INLET MANHOLE (12" THRU 24")**  
 METROPOLITAN ST. LOUIS SEWER DISTRICT  
 Standard Details of Sewer Construction  
 Dr. R.G.W./SAM Ch. J.C.K. 2000 SHEET 30



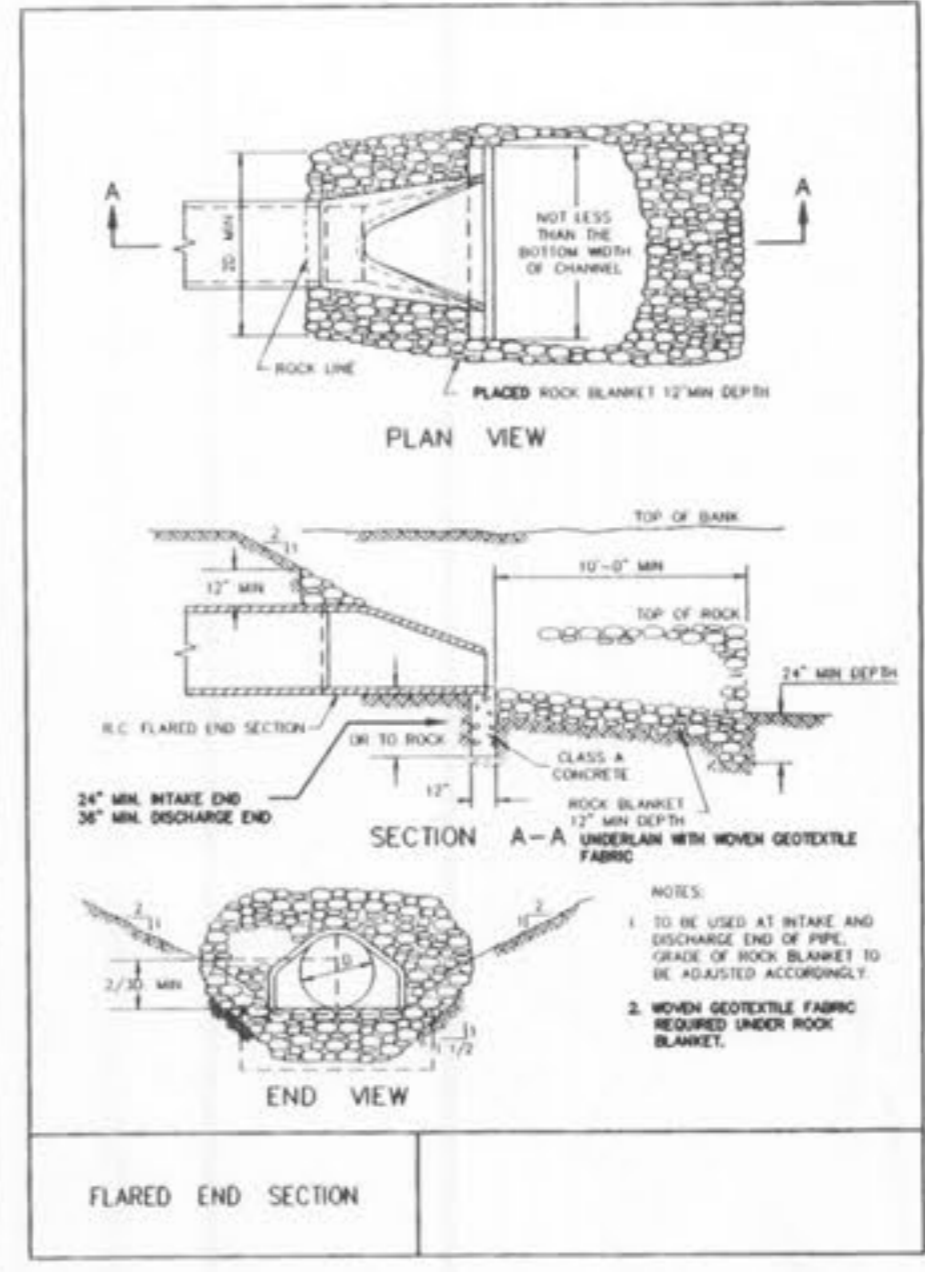
**DOUBLE AREA INLET OPEN 4 SIDES BRICK CONSTRUCTION**  
 METROPOLITAN ST. LOUIS SEWER DISTRICT  
 Standard Details of Sewer Construction  
 Dr. R.G.W./SAM Ch. J.C.K. 2000 SHEET 31



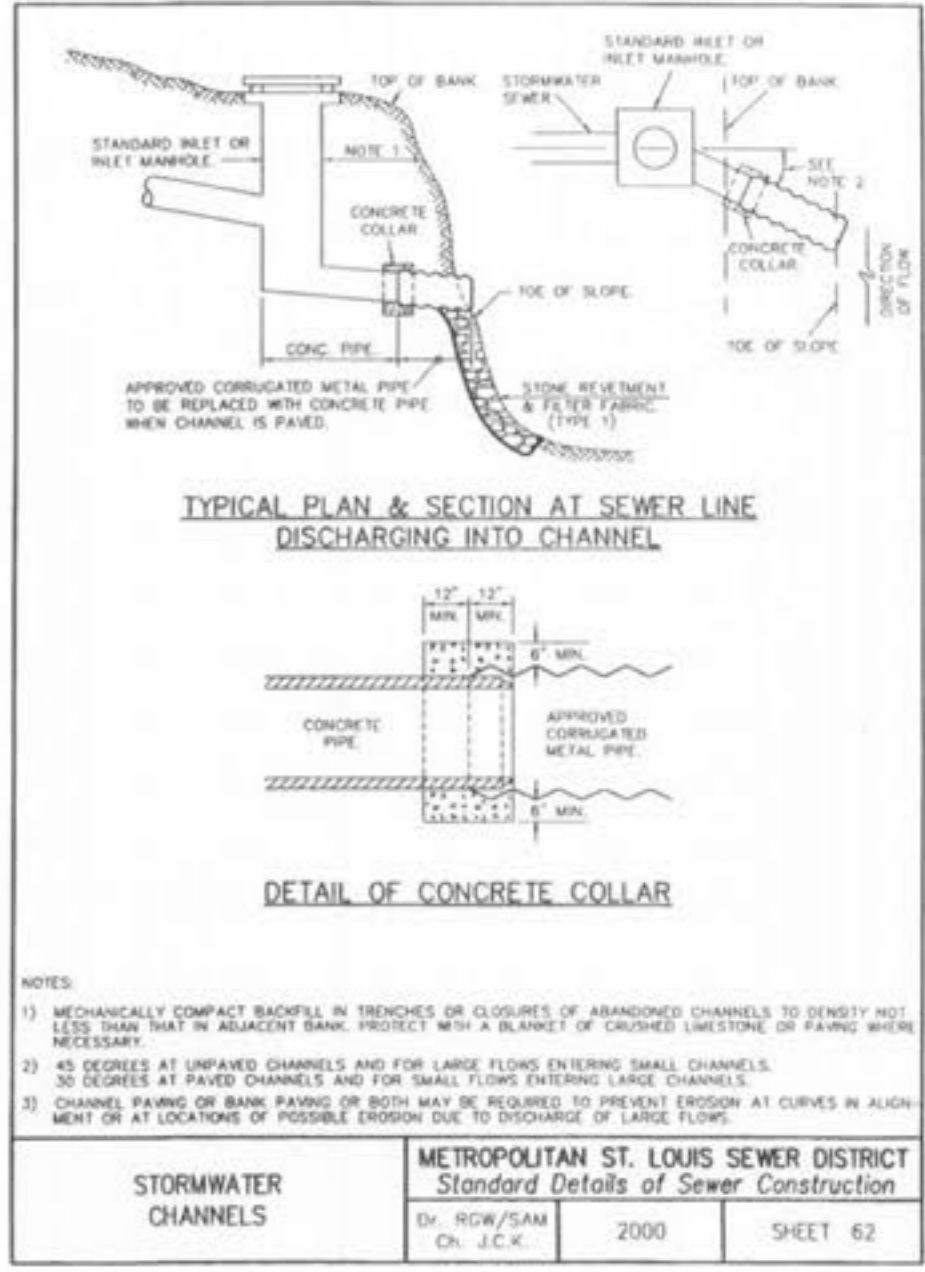
**GUTTER SUMP FOR LIP CURB**  
 METROPOLITAN ST. LOUIS SEWER DISTRICT  
 Standard Details of Sewer Construction  
 Dr. R.G.W./SAM Ch. J.C.K. 2000 SHEET 60



**2 GRATE INLET BRICK CONSTRUCTION**  
 METROPOLITAN ST. LOUIS SEWER DISTRICT  
 Standard Details of Sewer Construction  
 Dr. R.G.W./SAM Ch. J.C.K. 2000 SHEET 32



**FLARED END SECTION**  
 METROPOLITAN ST. LOUIS SEWER DISTRICT  
 Standard Details of Sewer Construction  
 Dr. R.G.W./SAM Ch. J.C.K. 2000 SHEET 62



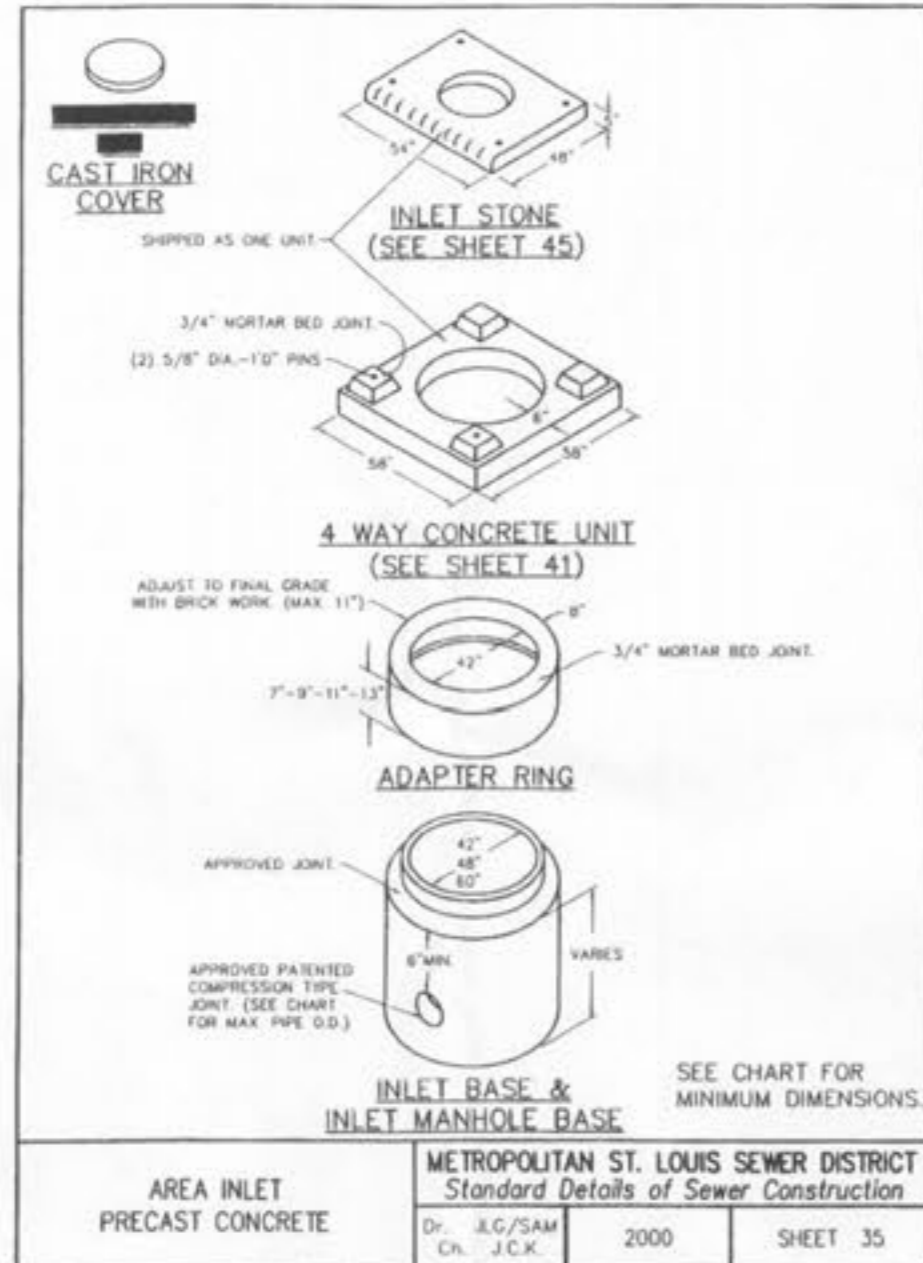
**TYPICAL PLAN & SECTION AT SEWER LINE DISCHARGING INTO CHANNEL**  
 METROPOLITAN ST. LOUIS SEWER DISTRICT  
 Standard Details of Sewer Construction  
 Dr. R.G.W./SAM Ch. J.C.K. 2000 SHEET 62

**PRECAST CONCRETE STORMWATER STRUCTURES**  
 MINIMUM DISTANCE FLOWLINE TO TOP OF STONE OR GRATE

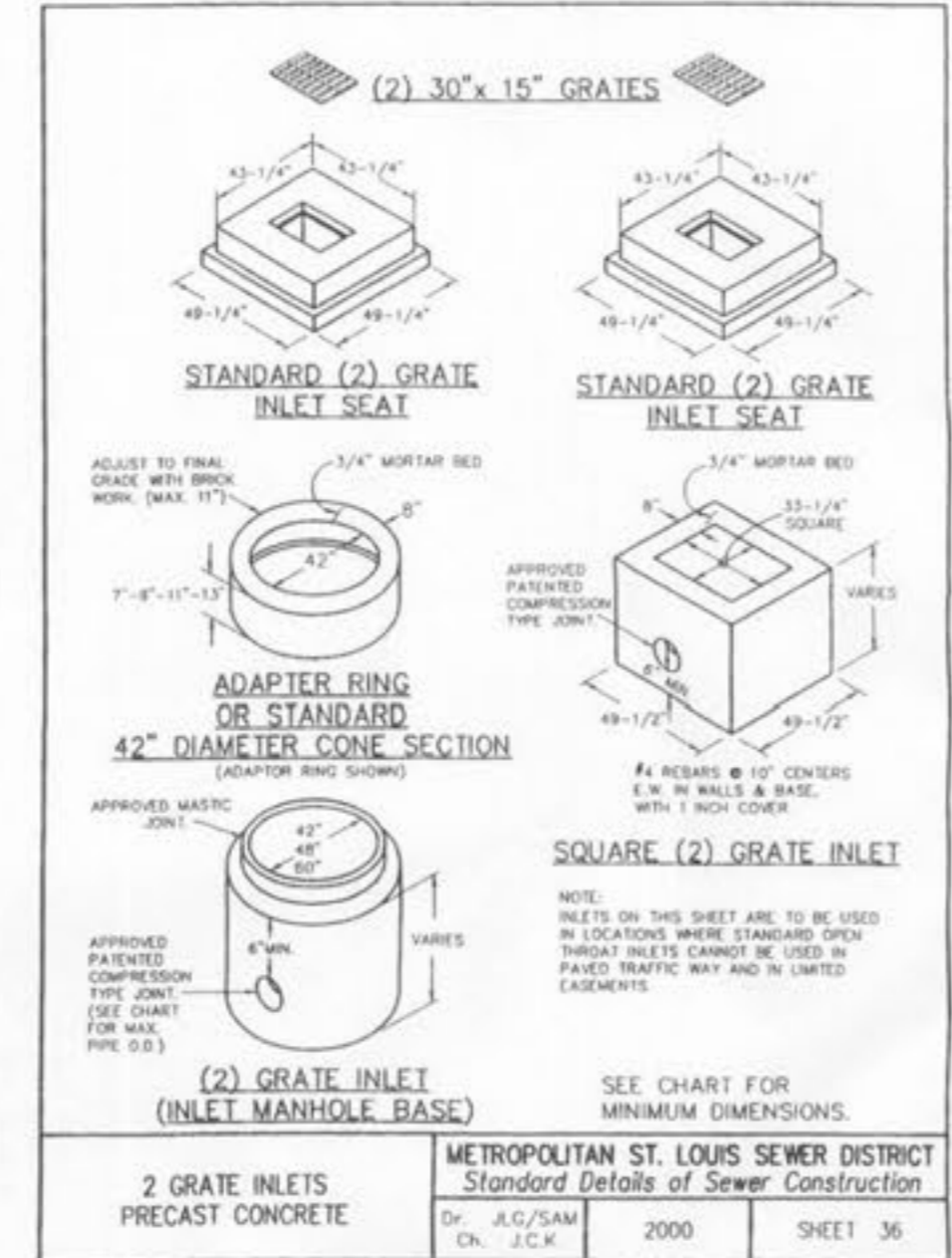
PIPE I.D. NOMINAL INCHES	AREA INLET CIRCULAR BASE DIA. 42" 48" 60"	(2) GRATE INLET CIRCULAR BASE DIA. 42" 48" 60" (MAX.)	SINGLE STREET INLET CIRCULAR BASE DIA. 42" 48" 60" (MAX.)
12"	45"	38"	31"
15"	48"	41"	34"
18"	52"	44"	37"
21"	55"	47"	40"
24"	58"	50"	43"
27"	61"	53"	46"
30"	64"	56"	49"
33"	67"	59"	52"

SEE SHEET 30 FOR DETAILS SEE SHEET 36 FOR DETAILS SEE SHEET 37 FOR DETAILS

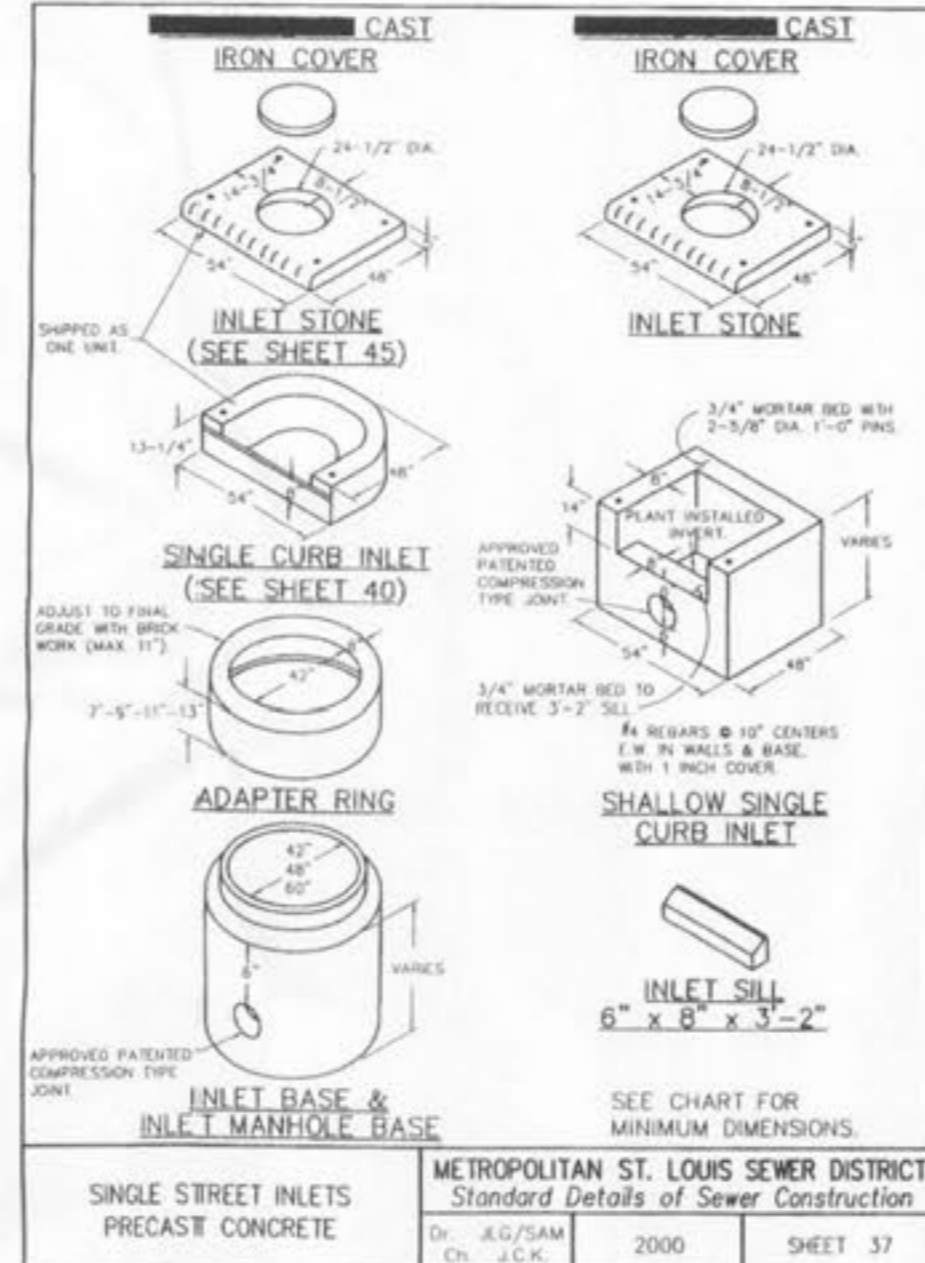
**PRECAST CONCRETE STORMWATER STRUCTURES**  
 METROPOLITAN ST. LOUIS SEWER DISTRICT  
 Standard Details of Sewer Construction  
 Dr. J.L.G./SAM Ch. J.C.K. 2000 SHEET 34



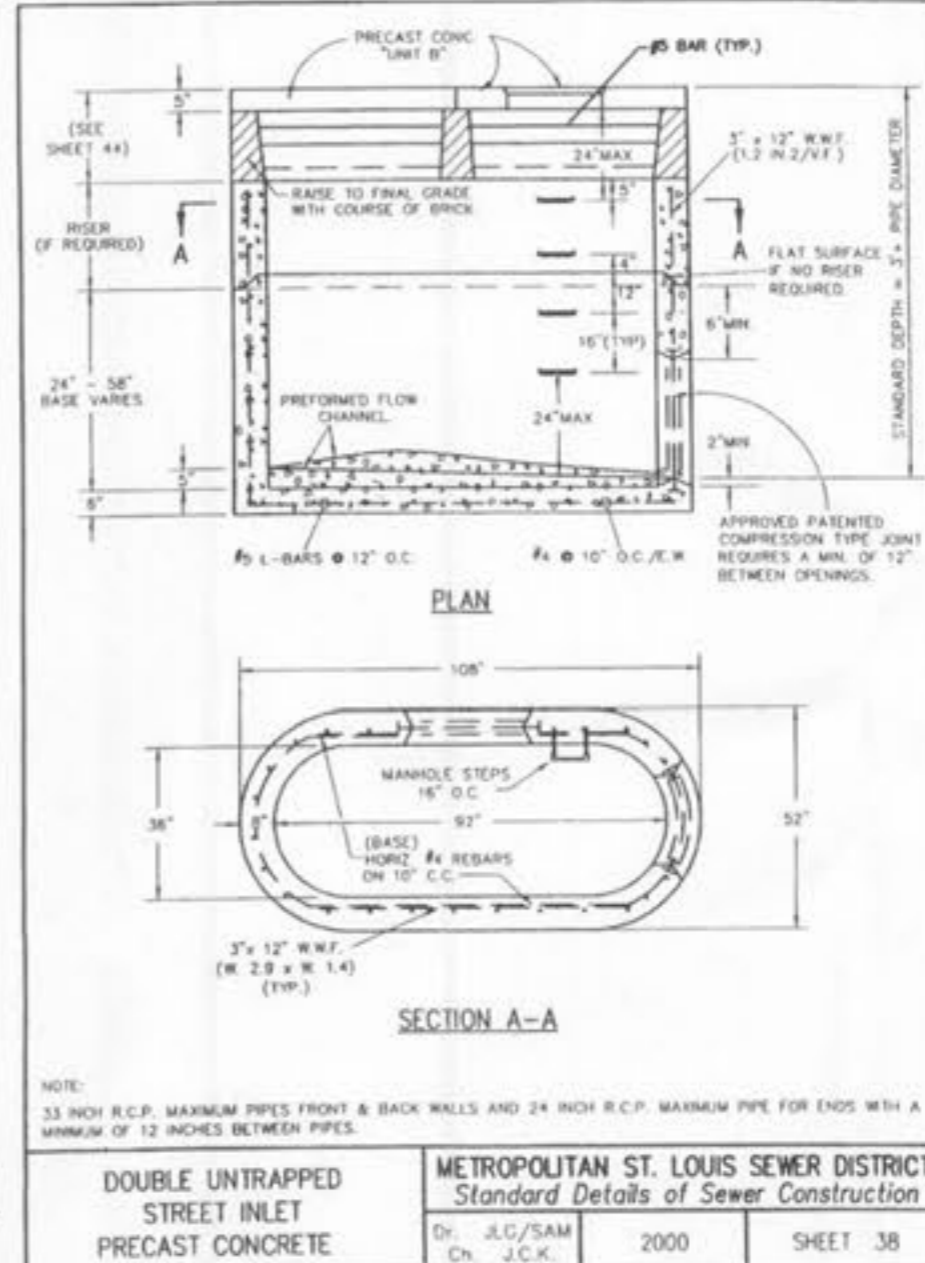
**AREA INLET PRECAST CONCRETE**  
 METROPOLITAN ST. LOUIS SEWER DISTRICT  
 Standard Details of Sewer Construction  
 Dr. J.L.G./SAM Ch. J.C.K. 2000 SHEET 35



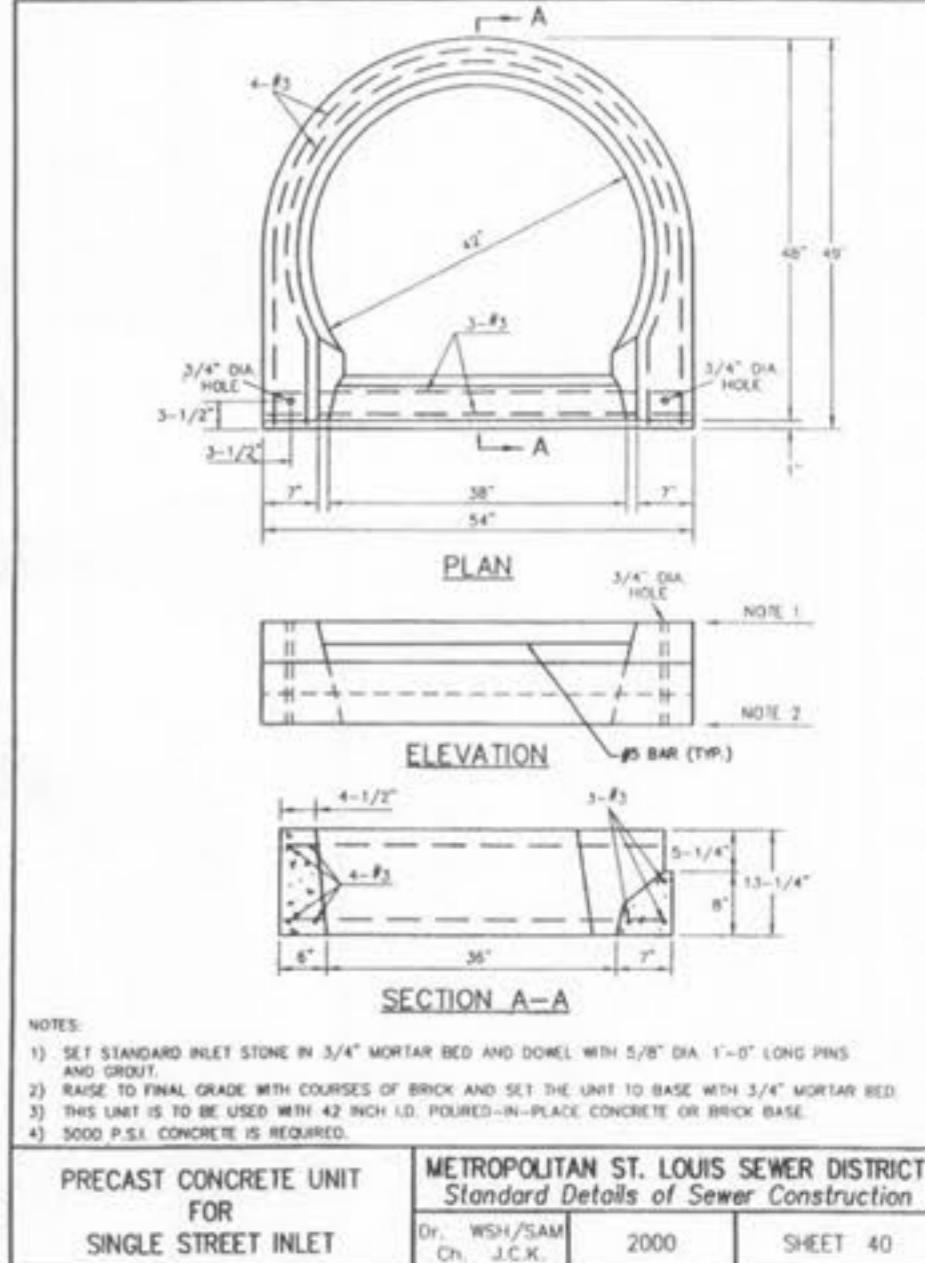
**2 GRATE INLETS PRECAST CONCRETE**  
 METROPOLITAN ST. LOUIS SEWER DISTRICT  
 Standard Details of Sewer Construction  
 Dr. J.L.G./SAM Ch. J.C.K. 2000 SHEET 36



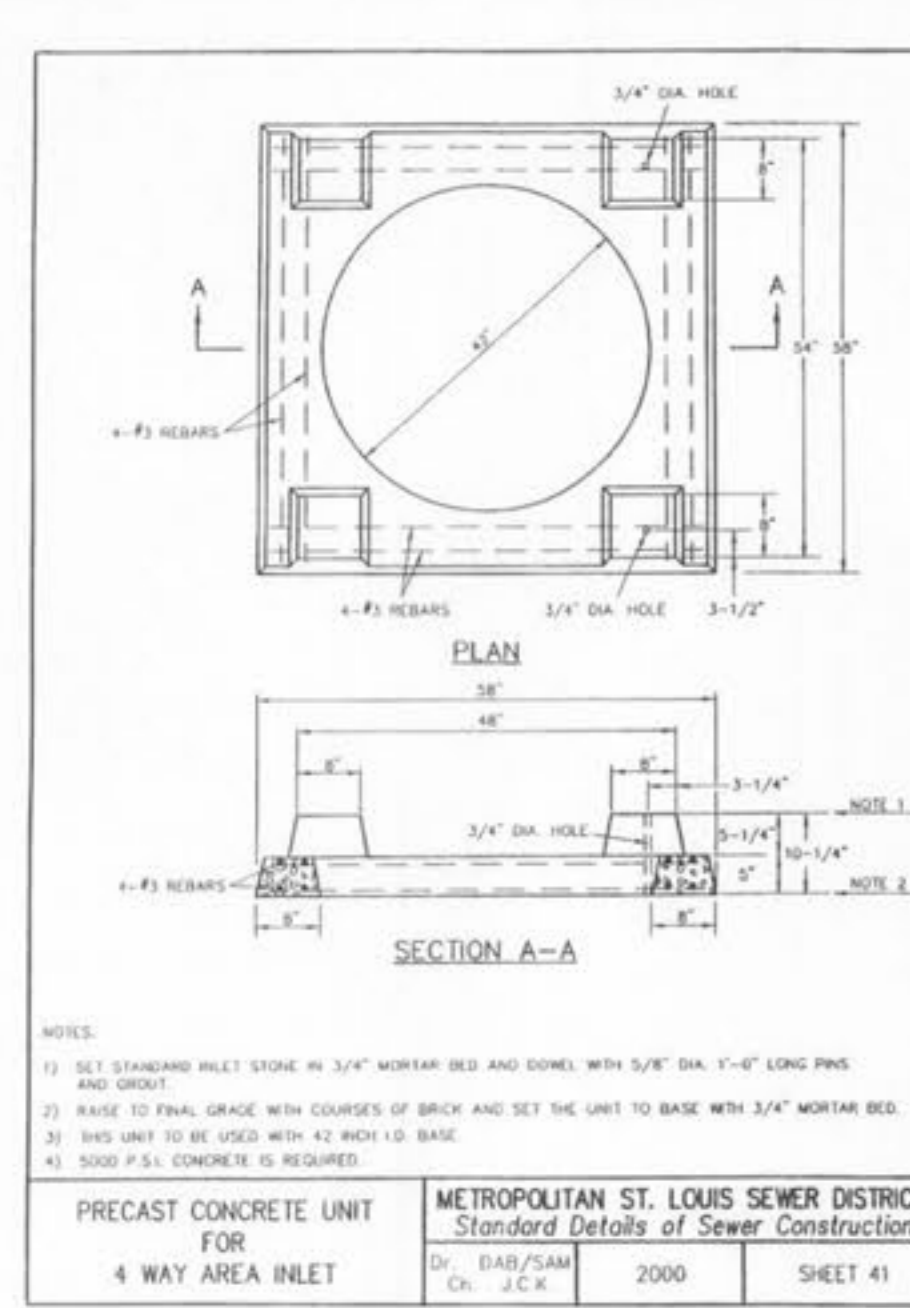
**SINGLE STREET INLETS PRECAST CONCRETE**  
 METROPOLITAN ST. LOUIS SEWER DISTRICT  
 Standard Details of Sewer Construction  
 Dr. J.L.G./SAM Ch. J.C.K. 2000 SHEET 37



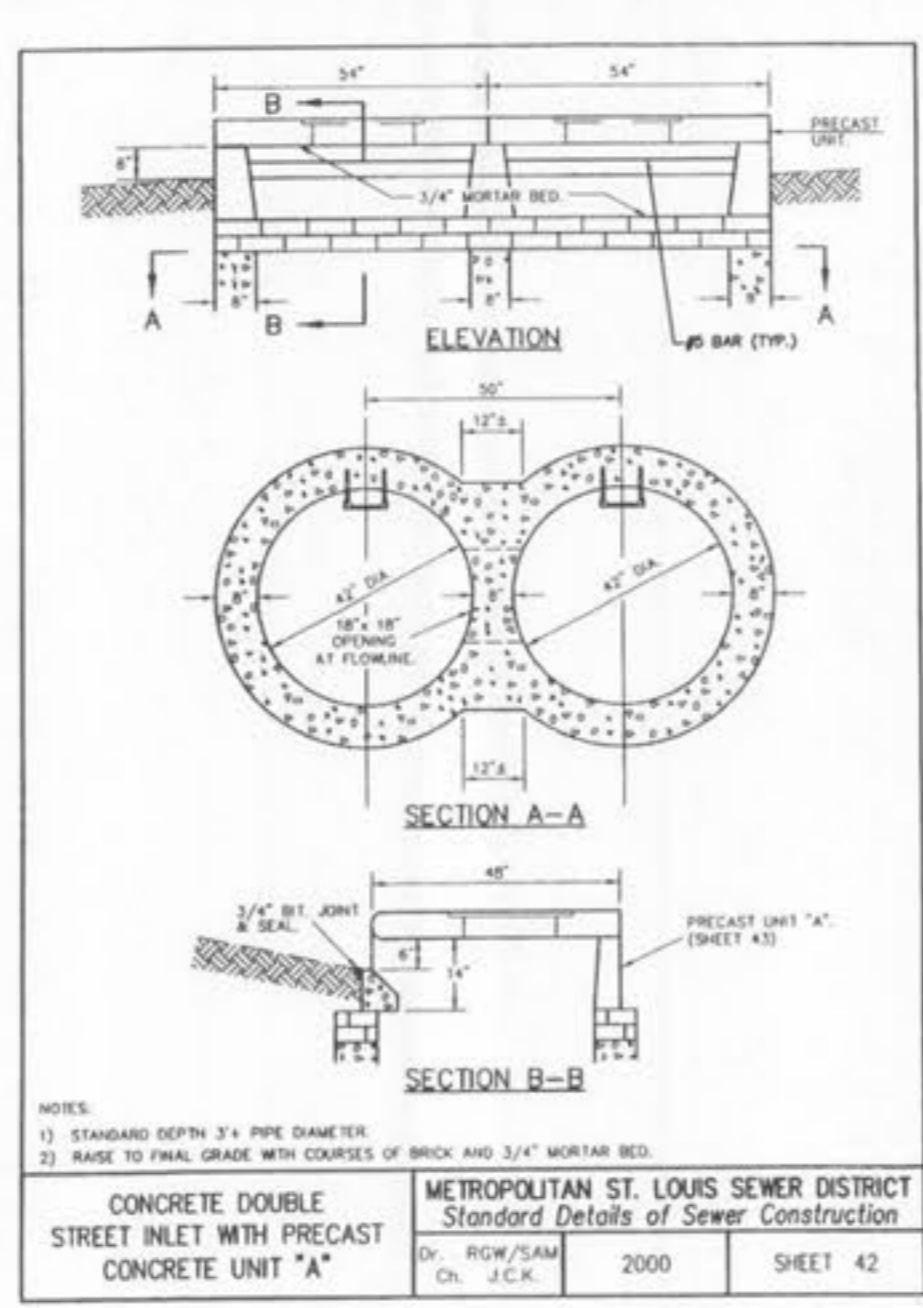
**DOUBLE UNTRAPPED STREET INLET PRECAST CONCRETE**  
 METROPOLITAN ST. LOUIS SEWER DISTRICT  
 Standard Details of Sewer Construction  
 Dr. J.L.G./SAM Ch. J.C.K. 2000 SHEET 38



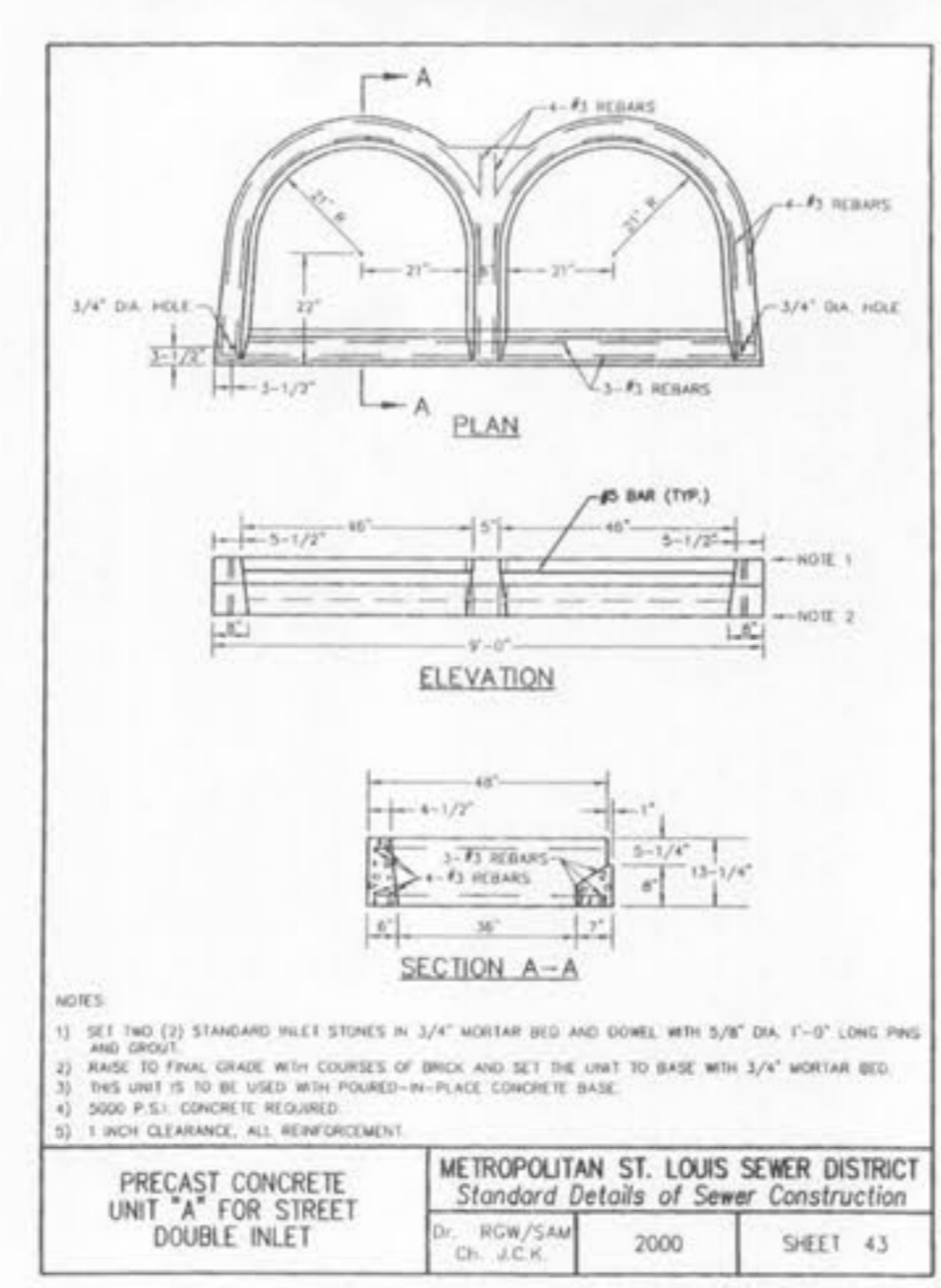
**PRECAST CONCRETE UNIT FOR SINGLE STREET INLET**  
 METROPOLITAN ST. LOUIS SEWER DISTRICT  
 Standard Details of Sewer Construction  
 Dr. W.H./SAM Ch. J.C.K. 2000 SHEET 40



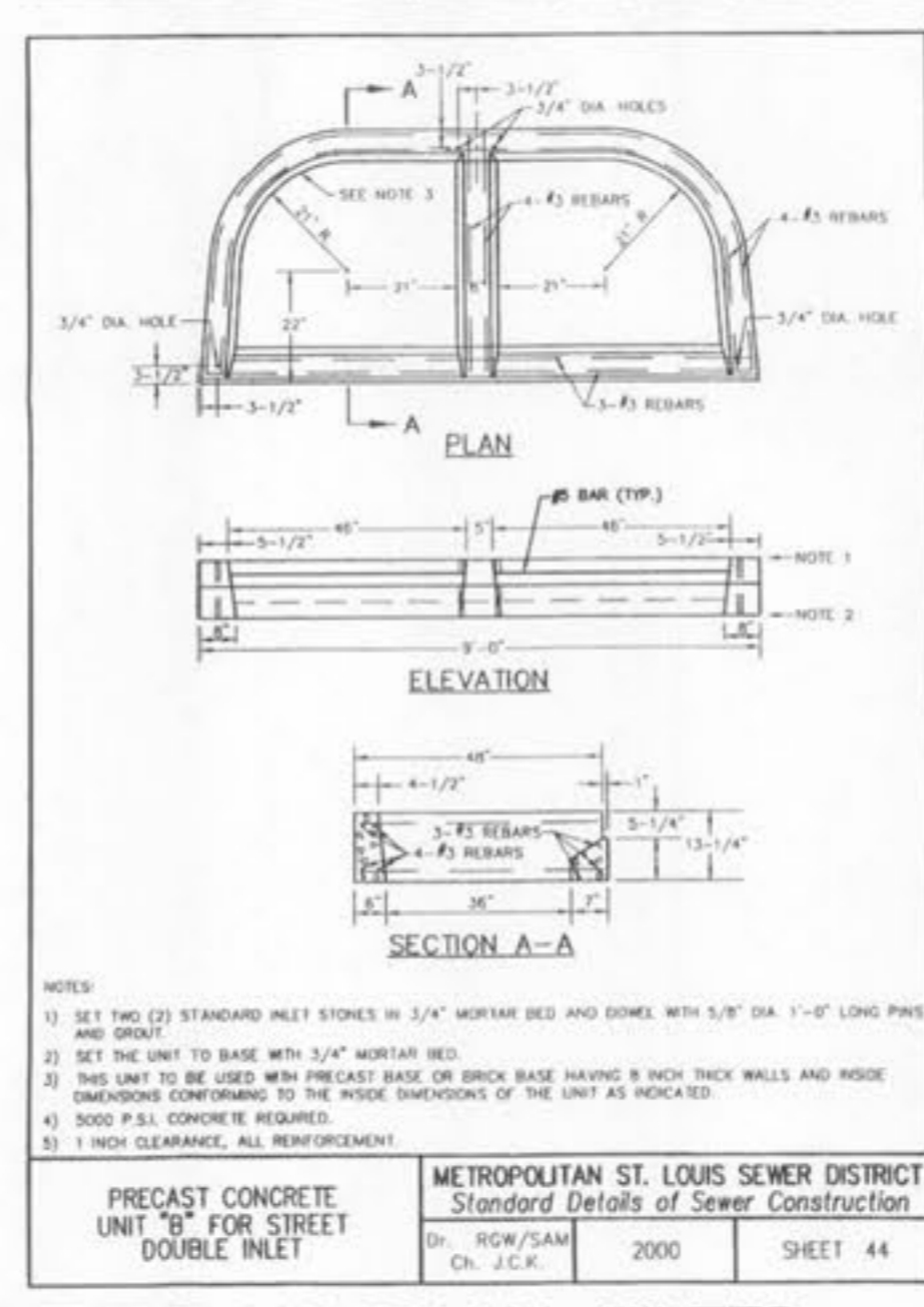
**PRECAST CONCRETE UNIT FOR 4 WAY AREA INLET**  
 METROPOLITAN ST. LOUIS SEWER DISTRICT  
 Standard Details of Sewer Construction  
 Dr. D.A.B./SAM Ch. J.C.K. 2000 SHEET 41



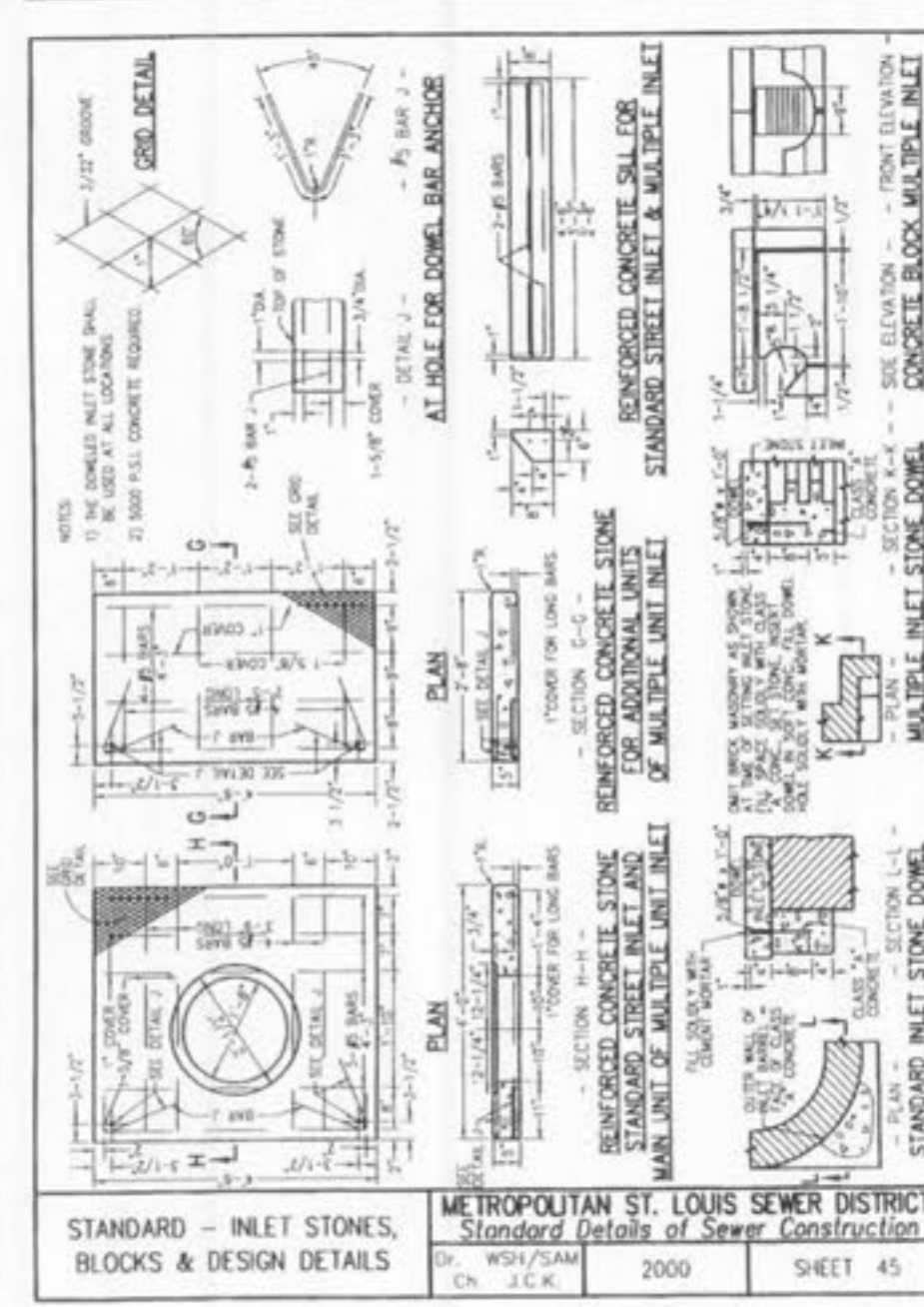
**CONCRETE DOUBLE STREET INLET WITH PRECAST CONCRETE UNIT 'A'**  
 METROPOLITAN ST. LOUIS SEWER DISTRICT  
 Standard Details of Sewer Construction  
 Dr. R.G.W./SAM Ch. J.C.K. 2000 SHEET 42



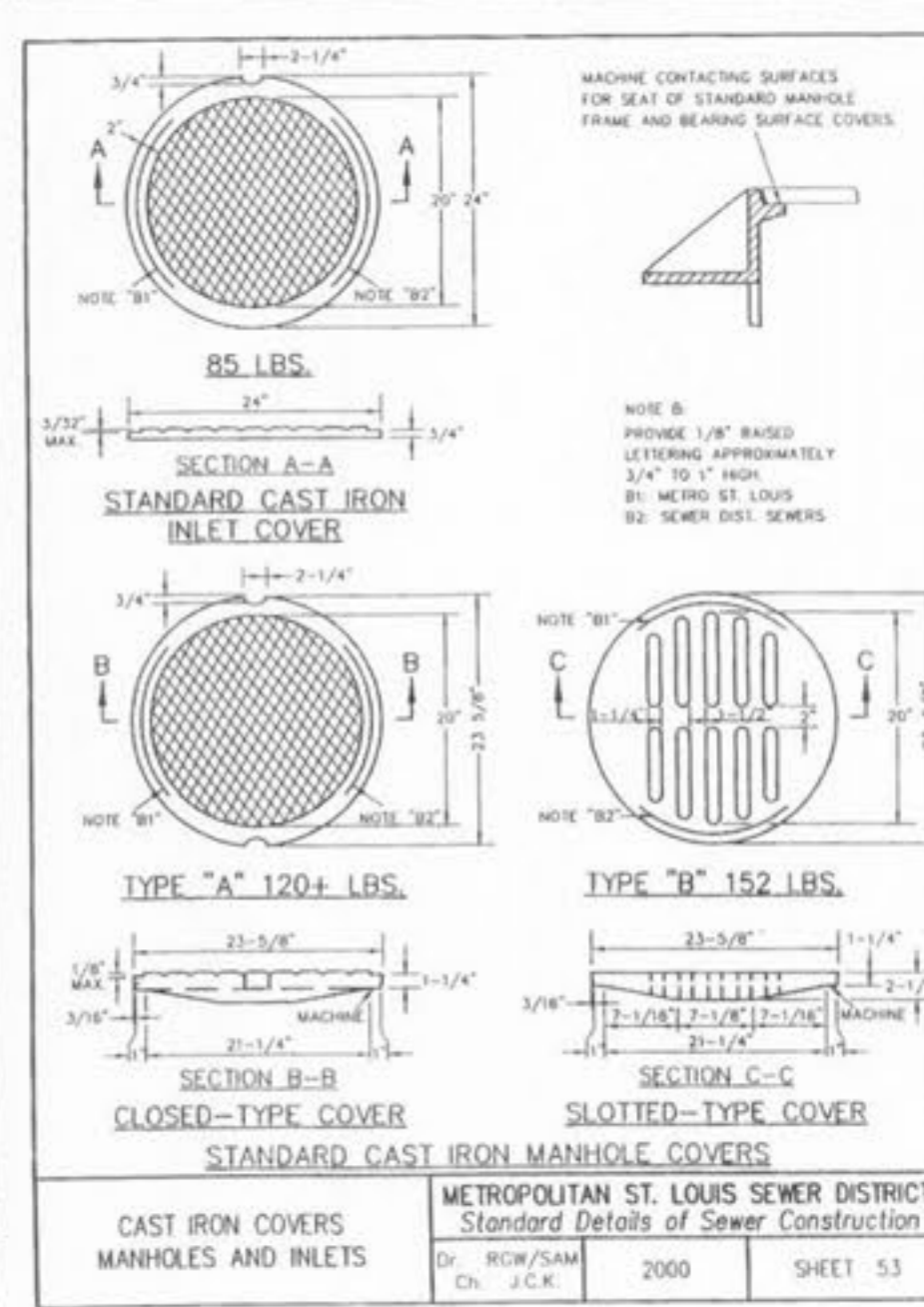
**PRECAST CONCRETE UNIT 'A' FOR STREET DOUBLE INLET**  
 METROPOLITAN ST. LOUIS SEWER DISTRICT  
 Standard Details of Sewer Construction  
 Dr. R.G.W./SAM Ch. J.C.K. 2000 SHEET 43



**PRECAST CONCRETE UNIT 'B' FOR STREET DOUBLE INLET**  
 METROPOLITAN ST. LOUIS SEWER DISTRICT  
 Standard Details of Sewer Construction  
 Dr. R.G.W./SAM Ch. J.C.K. 2000 SHEET 44



**STANDARD - INLET STONES, BLOCKS & DESIGN DETAILS**  
 METROPOLITAN ST. LOUIS SEWER DISTRICT  
 Standard Details of Sewer Construction  
 Dr. W.H./SAM Ch. J.C.K. 2000 SHEET 45



**CAST IRON COVERS MANHOLES AND INLETS**  
 METROPOLITAN ST. LOUIS SEWER DISTRICT  
 Standard Details of Sewer Construction  
 Dr. R.G.W./SAM Ch. J.C.K. 2000 SHEET 53

**NOTE! ADD #5 BAR TO THE THROAT OF ALL INLETS.**

**IMPROVEMENT PLANS BELLEAU CROSSING STORM DETAILS 1**

**ST. CHARLES ENGINEERING & SURVEYING, INC.**  
 801 S. FIFTH STREET, SUITE 202  
 ST. CHARLES, MO 63301  
 TEL: (636) 947-0607 FAX: (636) 947-2448

**S E S**

**ORDER NO. 04-1419-01**  
**DATE 10/26/07**  
**D-4**