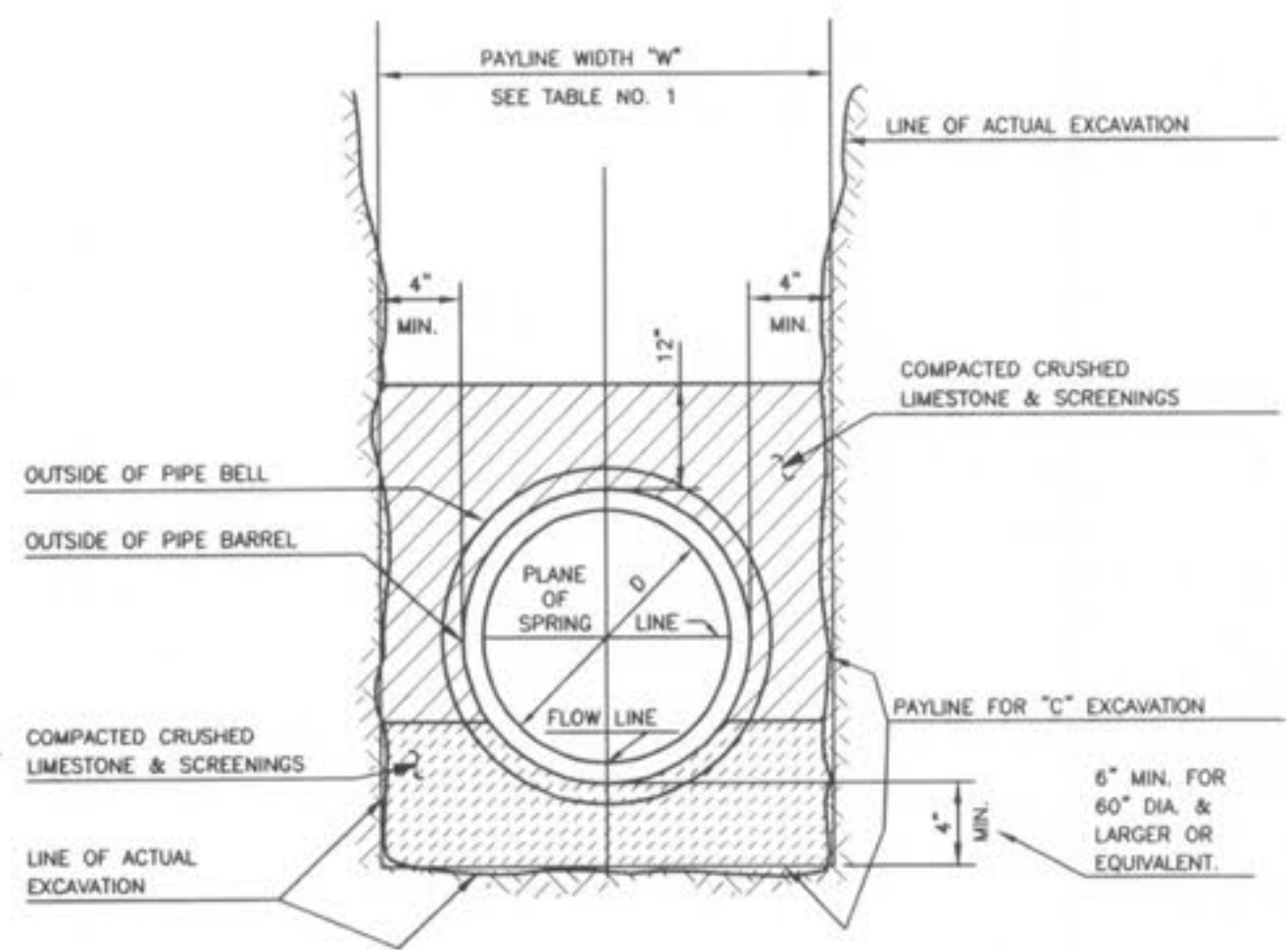
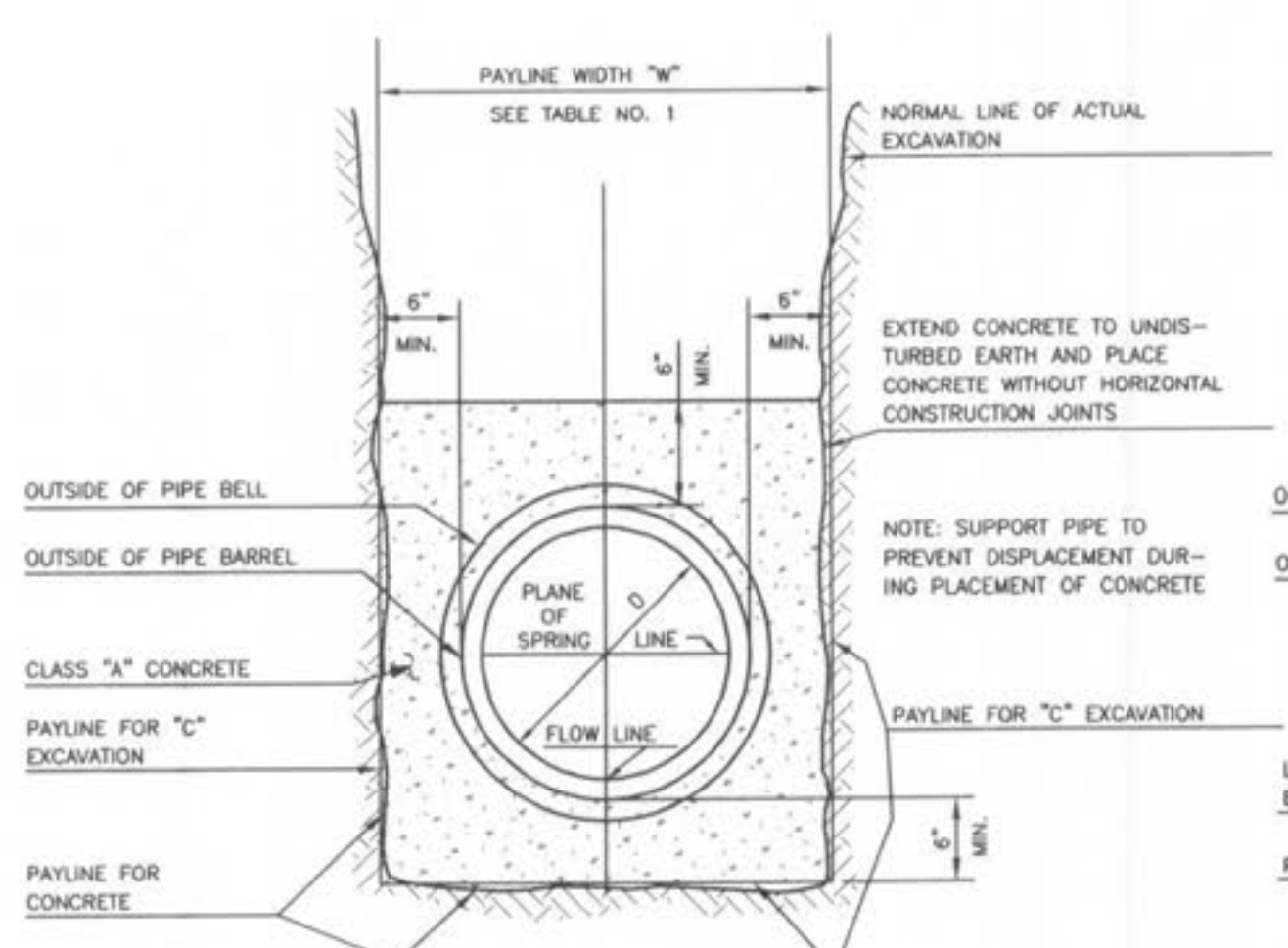


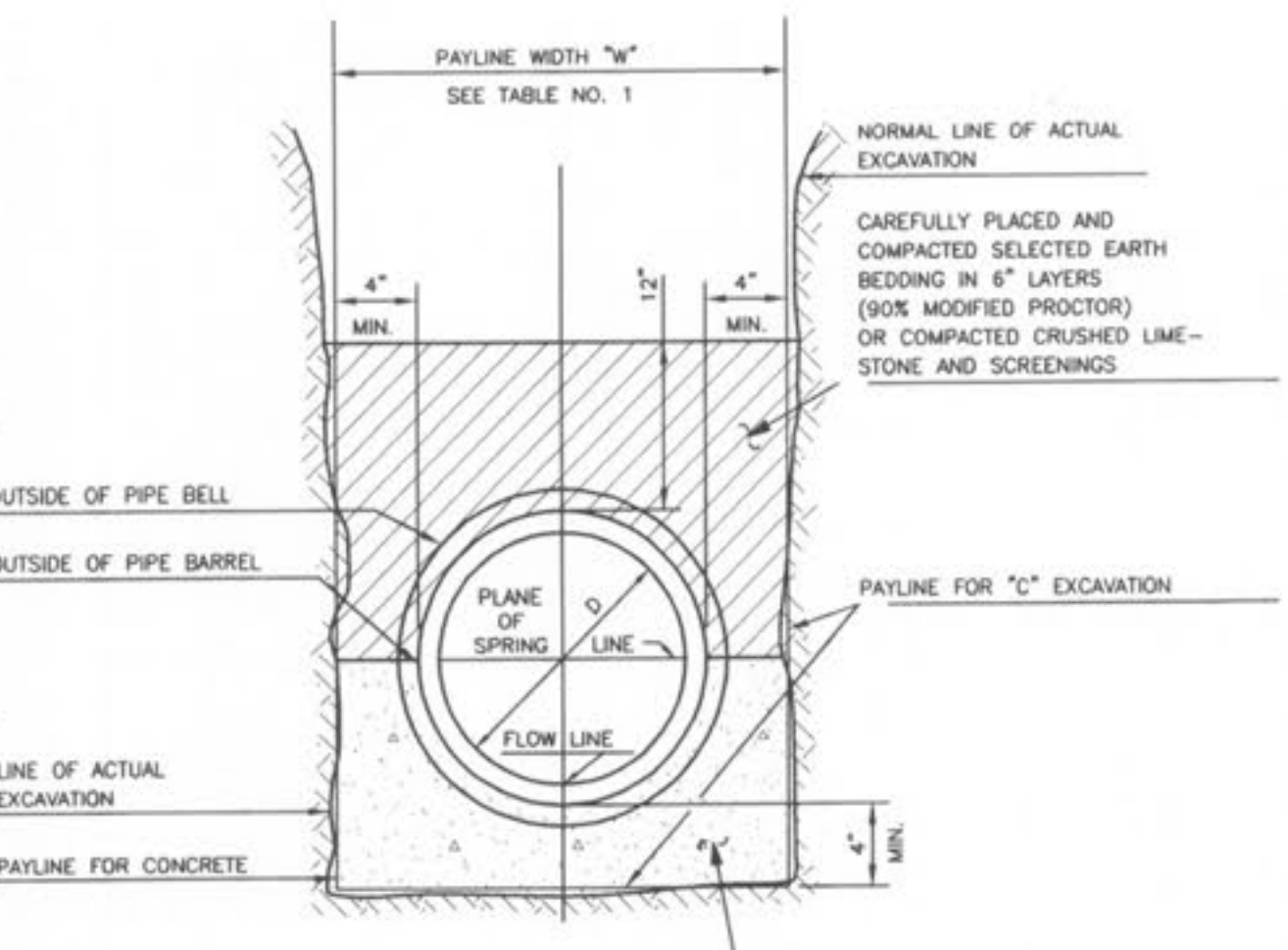
PIPE BEDDING CLASS "C"
(FOR ALL PIPE EXCEPT
REINFORCED CONCRETE PIPE)



PIPE BEDDING CLASS "C"
(MODIFIED FOR REINFORCED
CONCRETE PIPE)



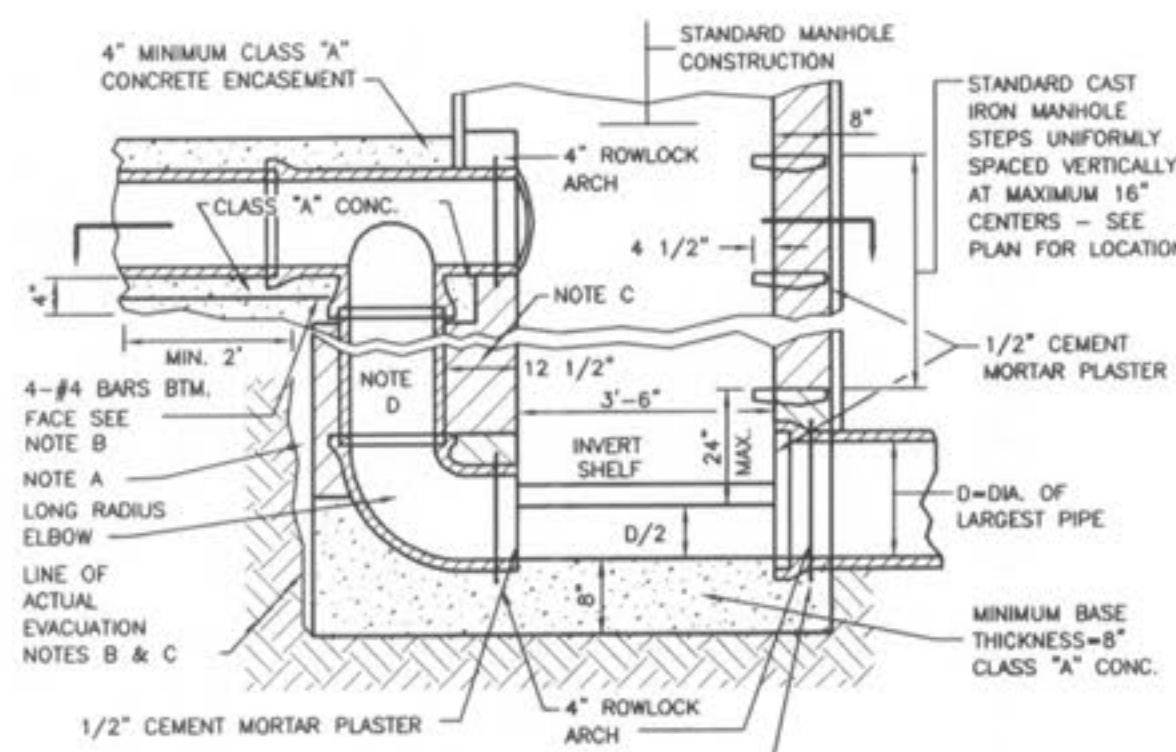
CONCRETE ENCASEMENT



ALSO FOR PIPE SEWERS ON GRADES
25% TO 50% INCLUSIVE.
FOR GRADES EXCEEDING 50% SEE
PROJECT SPECIFICATIONS.

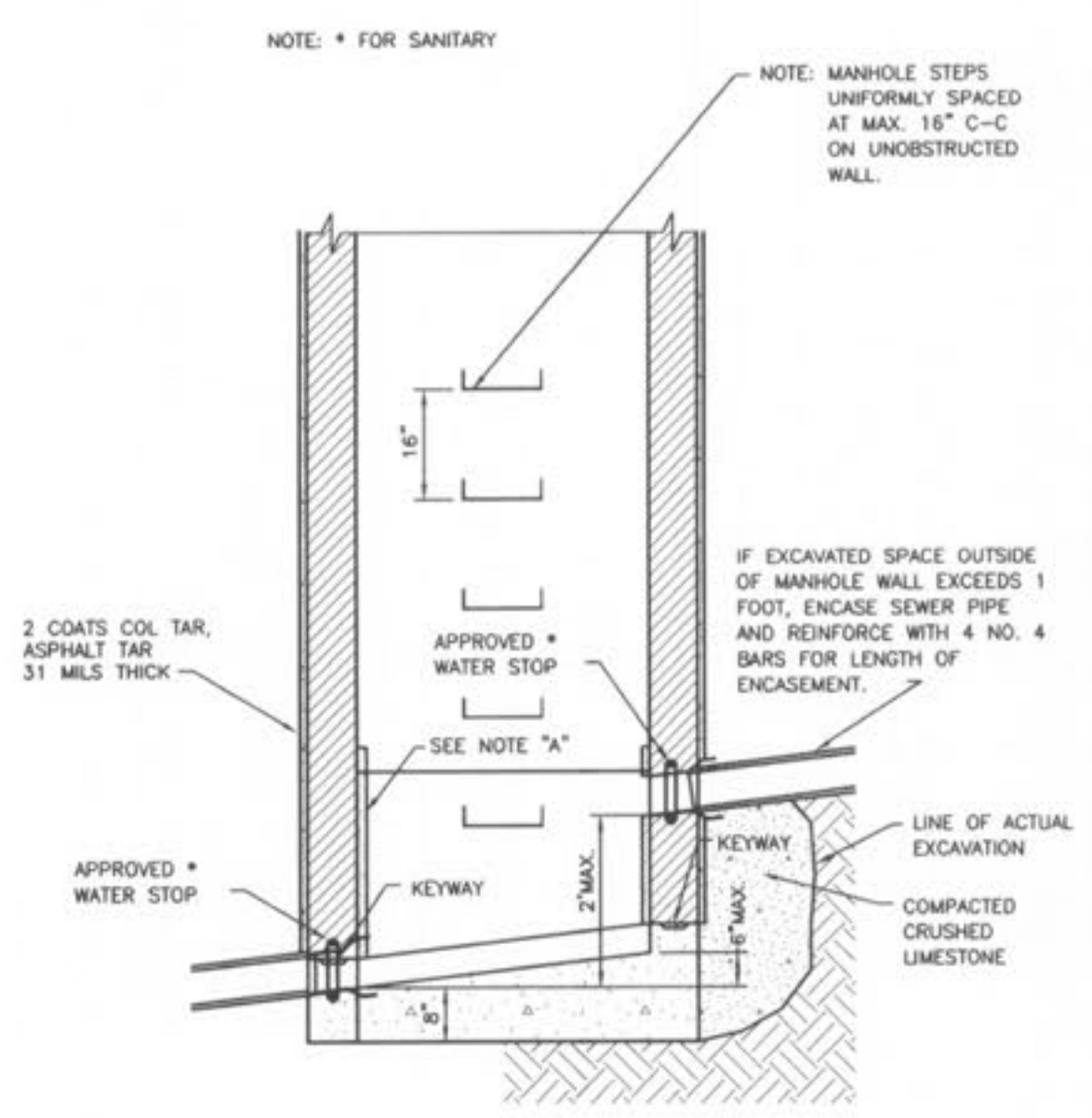
CLASS "A" CONCRETE. FOR
PLASTIC PIPE USE CONCRETE
COLLARS TWO FEET LONG AND
SIX INCHES THICK EVERY
TWELVE FEET ADJACENT TO
AND DOWN STREAM OF BELLS.
(IN LIEU OF CONC. CRADLE)

(CLASS "A" BEDDING)
CONCRETE CRADLE

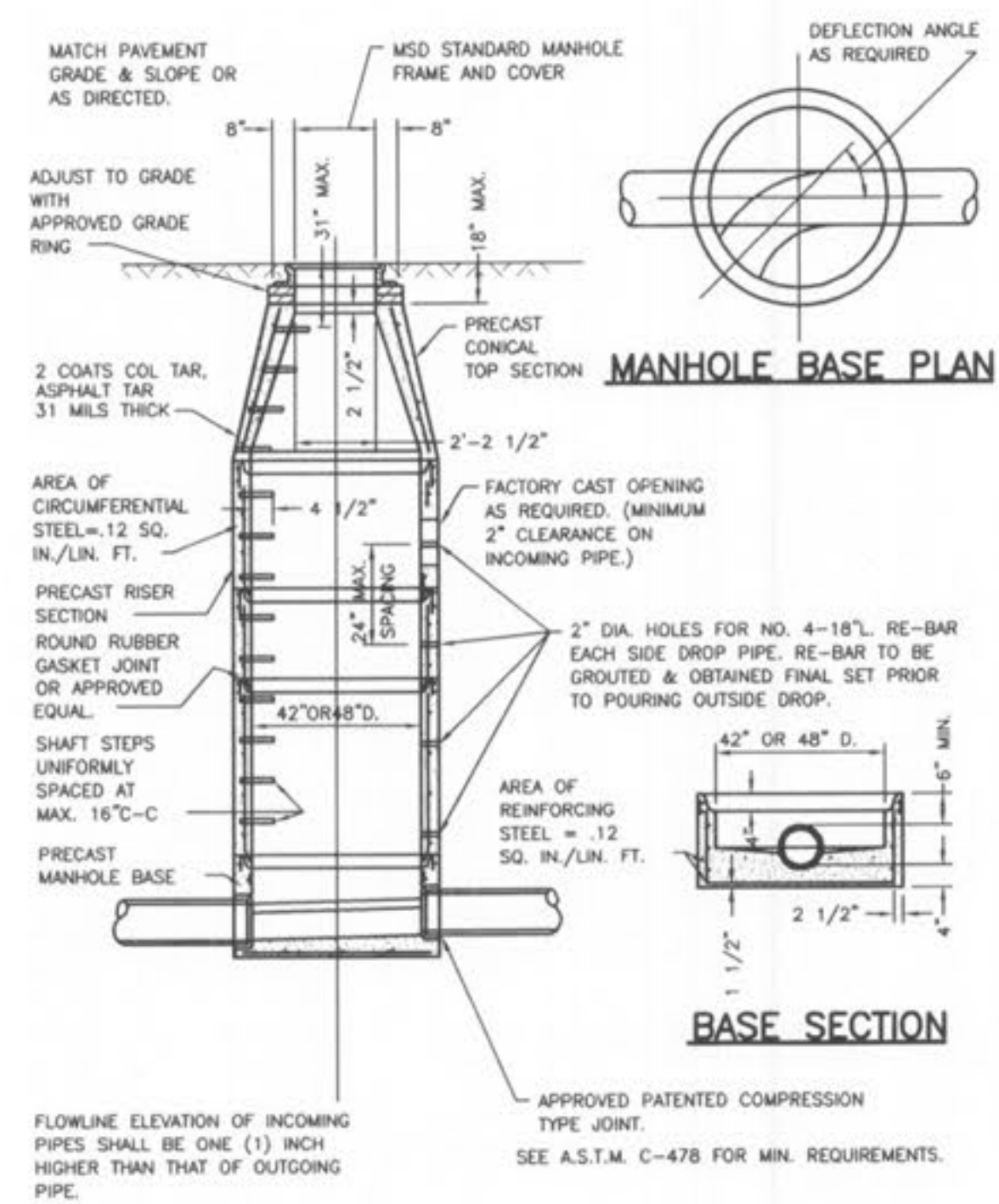


PLAN SECTION

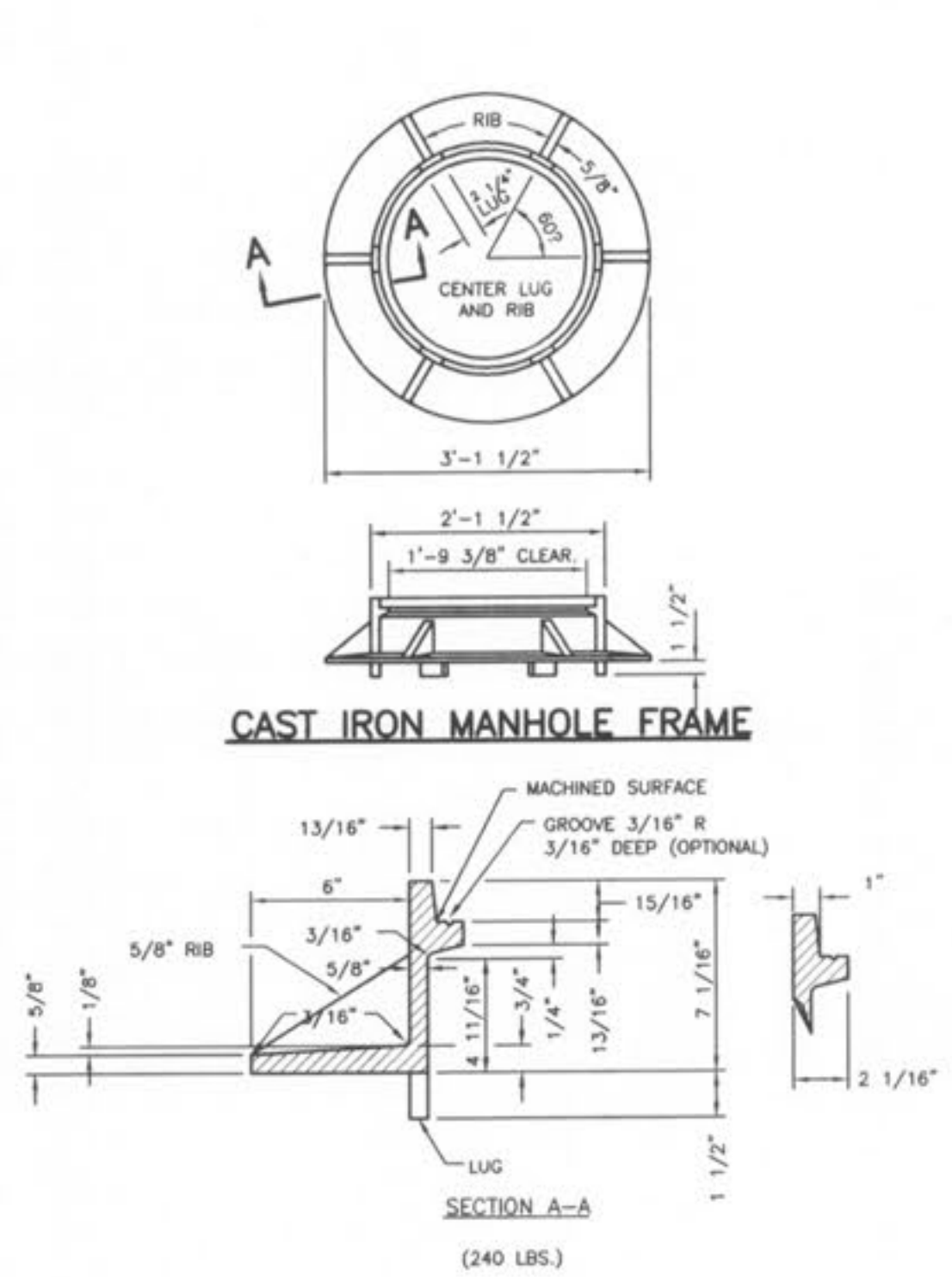
**OUTSIDE FOULWATER
DROP MANHOLE**



**INSIDE DROP
(8" THRU 24" DIA. PIPE)**



**PRE-CAST CONCRETE MANHOLE
FOR SEWERS
8" THROUGH 12"**



CAST IRON MANHOLE FRAME

STANDARD SANITARY DETAILS

CITY OF O'FALLON
DEPARTMENT OF PUBLIC
WORKS DESIGN GROUP
O'FALLON, MISSOURI



DISCLAIMER OF RESPONSIBILITY
I HEREBY SPECIFY THAT THE DOCUMENTS INTENDED
TO BE SUBMITTED BY ME ARE MY OWN WORK AND
I AM NOT PROVIDING ANY DESIGN OR CONSTRUCTION
SERVICES TO ANY OTHER PARTY. I AM NOT PROVIDING
ANY DESIGN OR CONSTRUCTION SERVICES TO ANY OTHER
PARTY. I AM NOT PROVIDING ANY DESIGN OR CONSTRUCTION
SERVICES TO ANY OTHER PARTY.

DESIGNED: GDO
CHECKED: _____
DATE: _____
PROJECT NO.: _____
SHEET OF _____

IMPROVEMENT PLANS
BELLEAU CROSSING
SANITARY DETAILS 1

ST. CHARLES ENGINEERING & SURVEYING, INC.
801 S. FIFTH STREET, SUITE 202
ST. CHARLES, MO 63301
TEL: (636) 947-0607 FAX: (636) 947-2448



2-18-08
ORDER NO.
04-1419-01
DATE
12/05/07
D-2