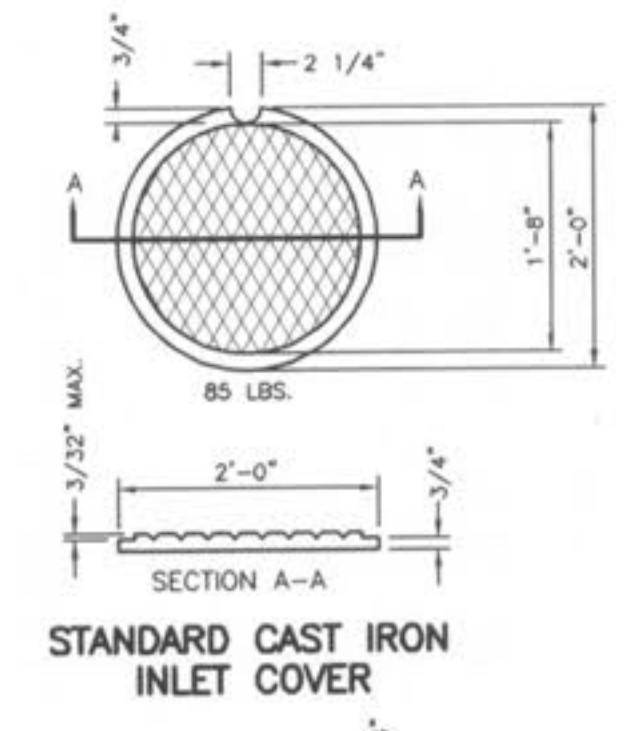
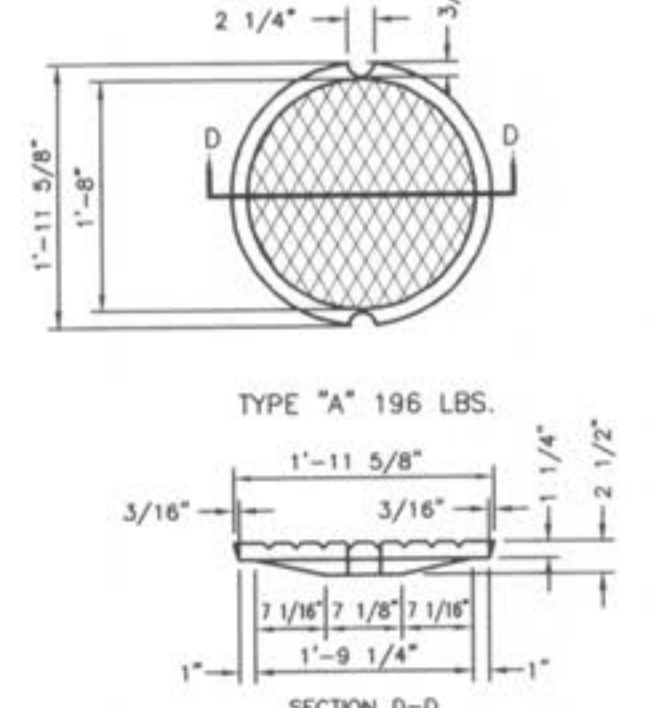


CAST IRON MANHOLE COVERS (LOCK TYPE)



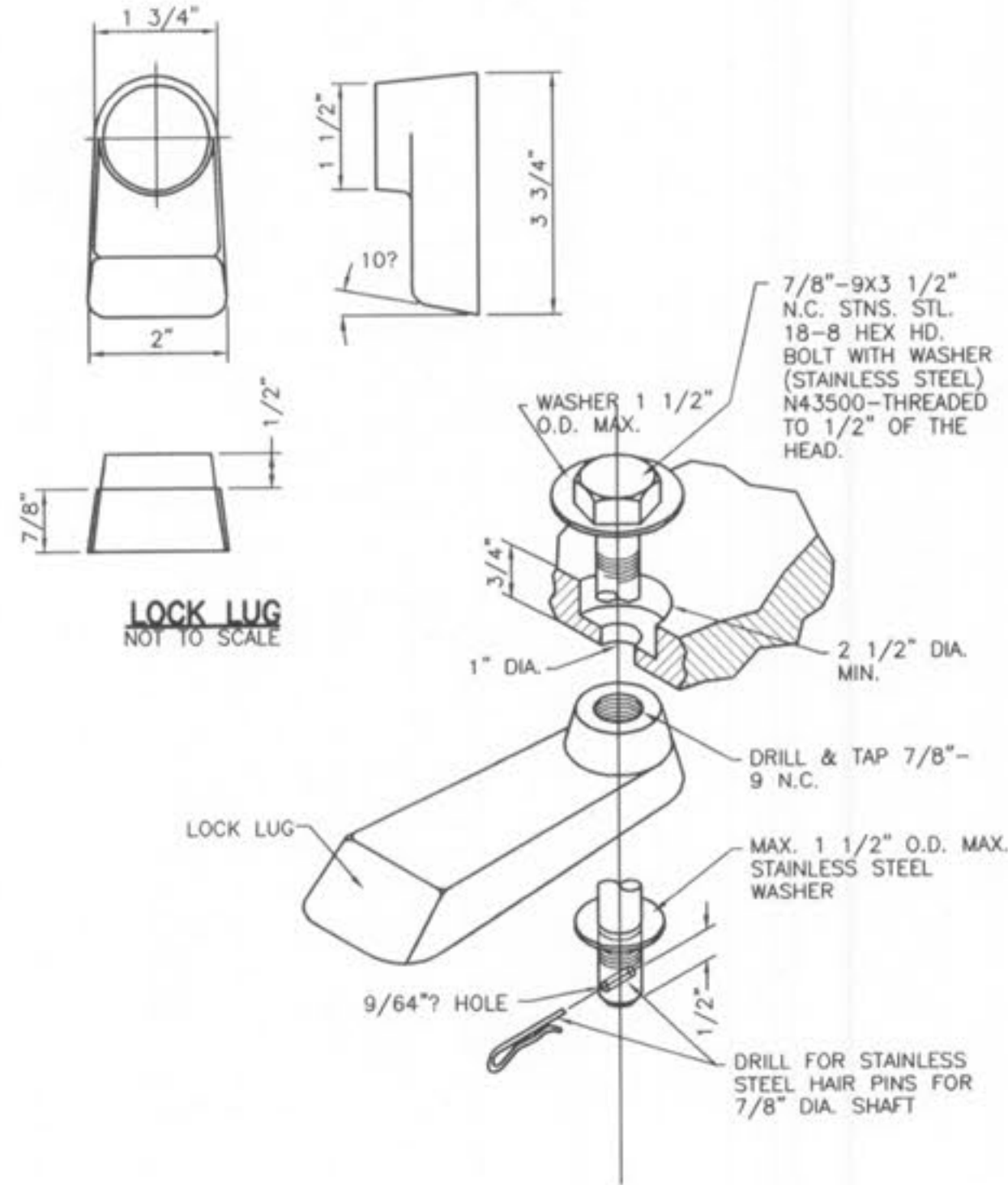
STANDARD CAST IRON INLET COVER



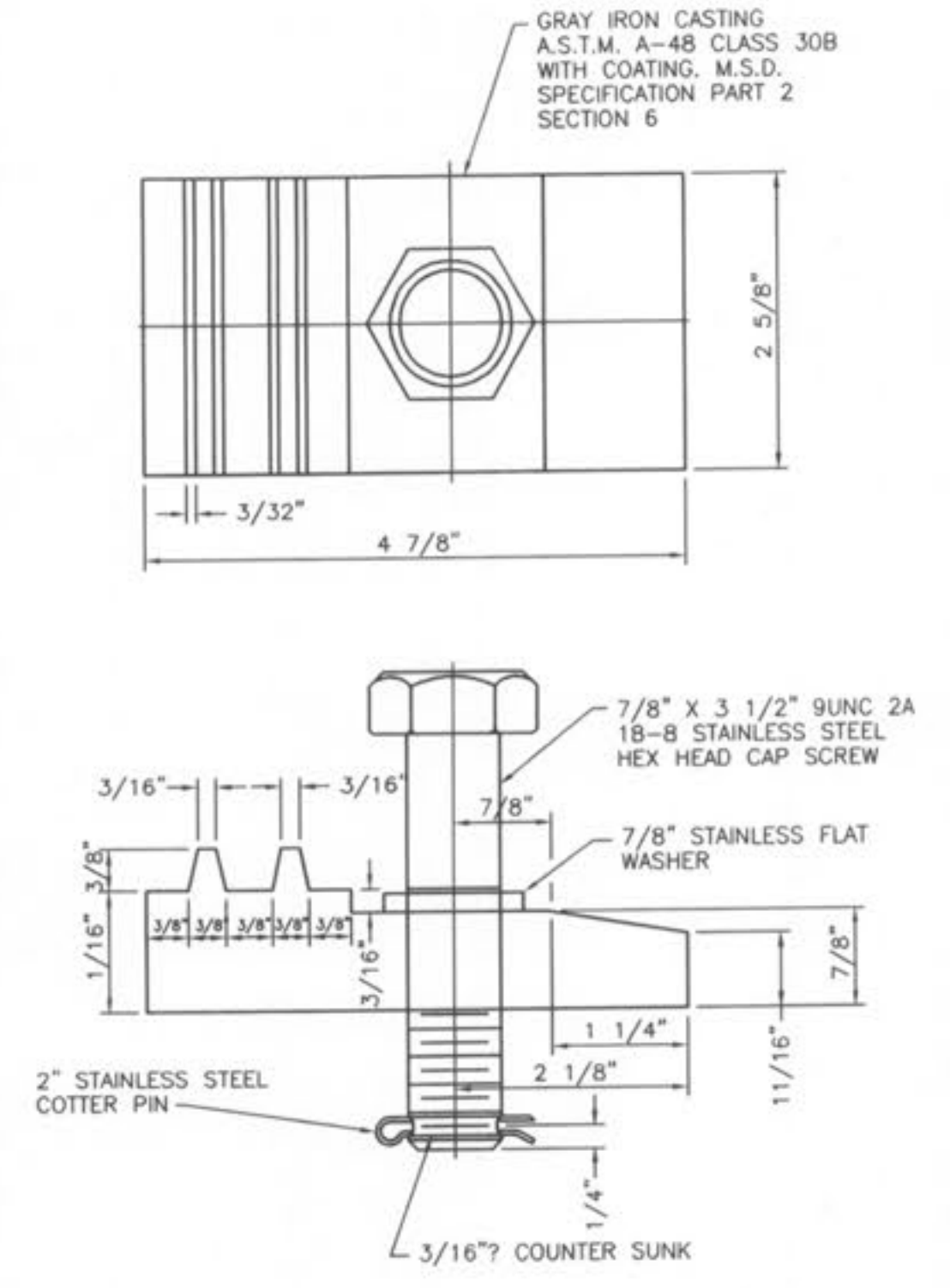
PLAN OF CLOSED-TYPE COVER
CAST IRON COVERS MANHOLES AND INLETS

NOTE A: MACHINE CONTACTING SURFACES FOR SEAT OF STANDARD MANHOLE FRAME AND BEARING SURFACE OF COVERS.

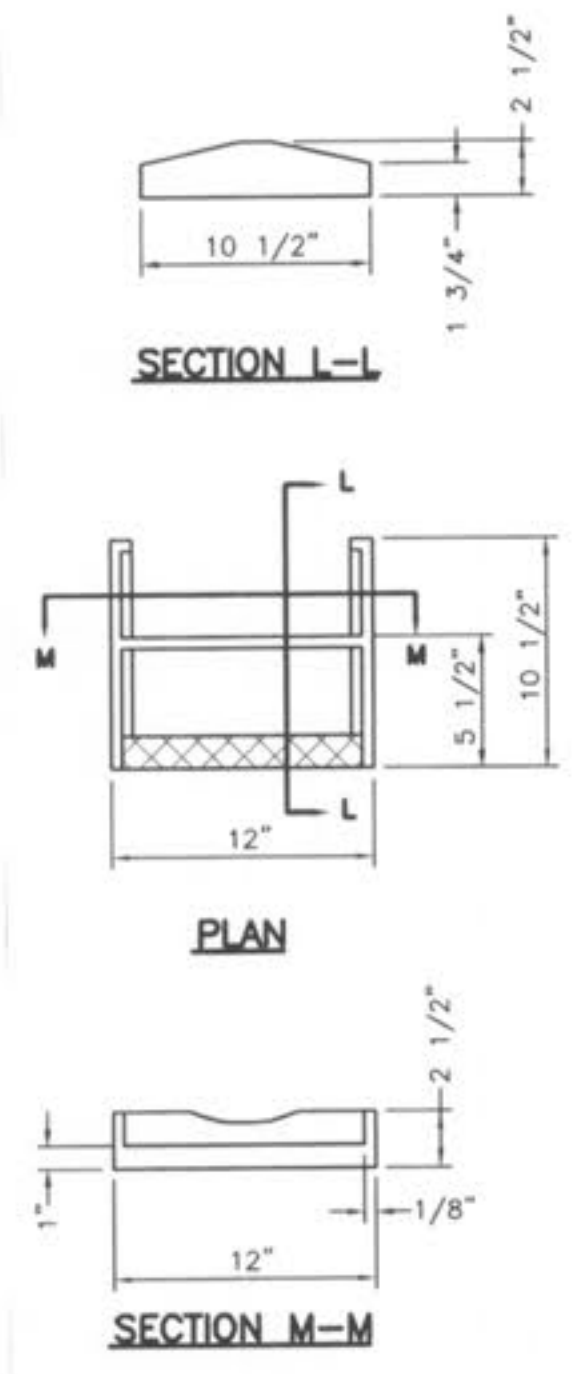
NOTE B: PROVIDE 1/8" RAISED LETTERING APPROXIMATELY 3/4" TO 1" HIGH.



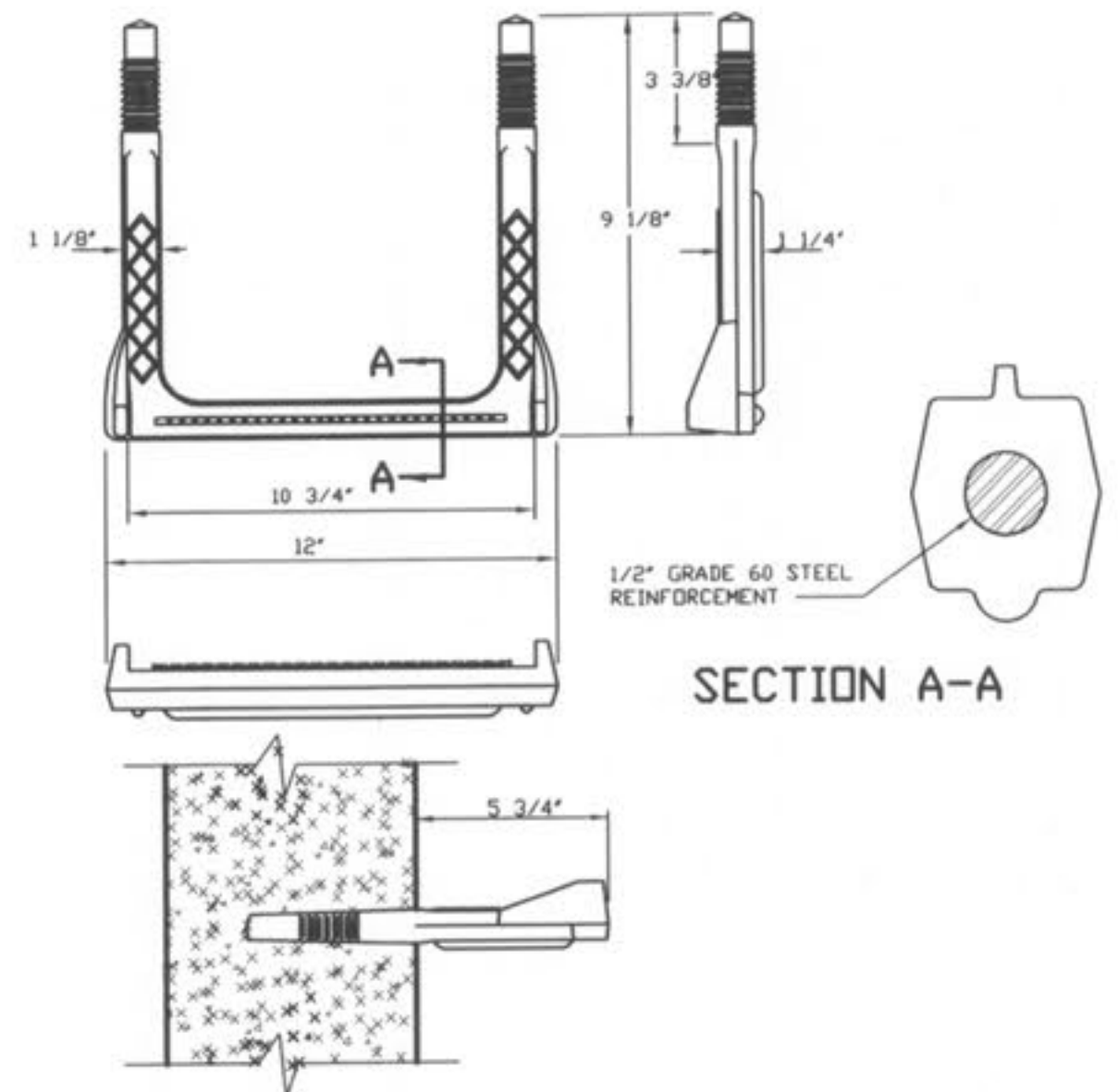
LOCKING DEVICE FOR TYPE 'N' LOCK TYPE MANHOLE COVER



LOCKING DEVICE FOR TYPE 'T' LOCK TYPE MANHOLE COVER



CAST IRON MANHOLE STEPS



COPOLYMER POLYPROPYLENE PLASTIC MANHOLE STEP FOR PRECAST MANHOLE

STANDARD SANITARY DETAILS

CITY OF FALLON
DEPARTMENT OF PUBLIC WORKS DESIGN GROUP
O'FALLON, MISSOURI

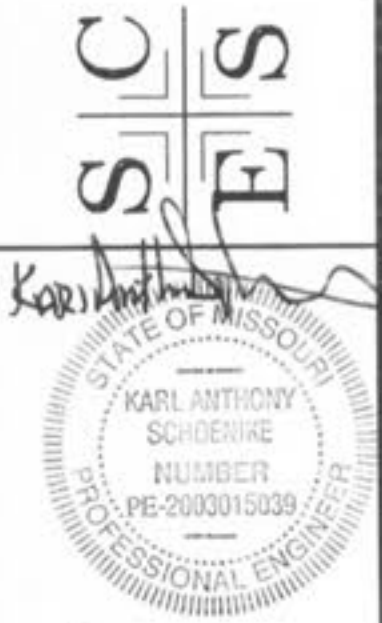


DISCLAIMER OF RESPONSIBILITY
I HEREBY CERTIFY THAT THE DOCUMENTS REFERRED TO IN THIS SHEET AND I HEREBY DISCLAIM ANY RESPONSIBILITY FOR ALL OTHER DRAWINGS, SPECIFICATIONS, ESTIMATES, REPORTS OR OTHER DOCUMENTS OR INSTRUMENTS RELATED TO OR ASSOCIATED WITH THIS PROJECT OR ANY PART OF THE ARCHITECTURE OR ENGINEERING PROJECT OR SHEET.

DESIGNED: GDD
CHECKED: _____
DATE: _____
PROJECT NO.: _____
SHEET OF

IMPROVEMENT PLANS
BELLEAU CROSSING
SANITARY DETAILS 2

ST. CHARLES ENGINEERING & SURVEYING, INC.
801 S. FIFTH STREET, SUITE 202
ST. CHARLES, MO 63301
TEL: (636) 947-0607 FAX: (636) 947-2448



2-18-08
ORDER NO. 041419
DATE 12/05/07
D-3