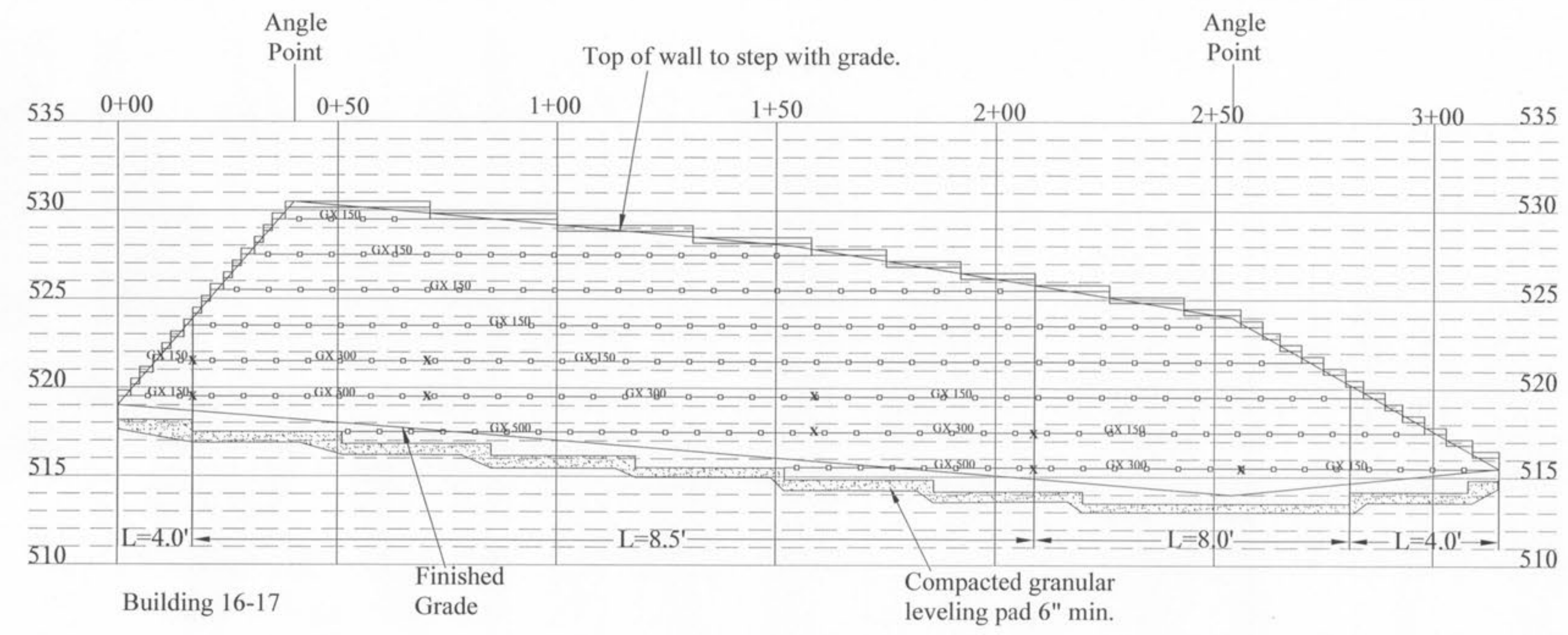
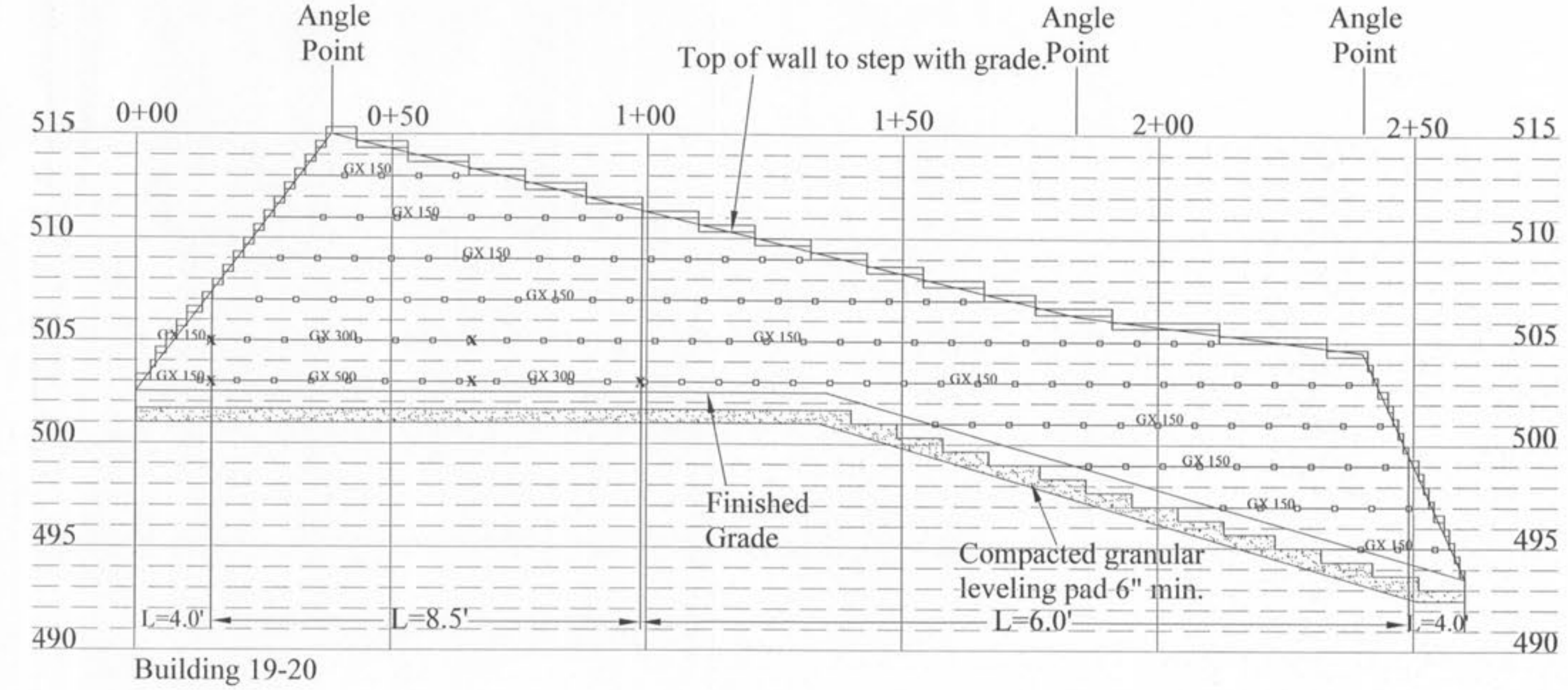
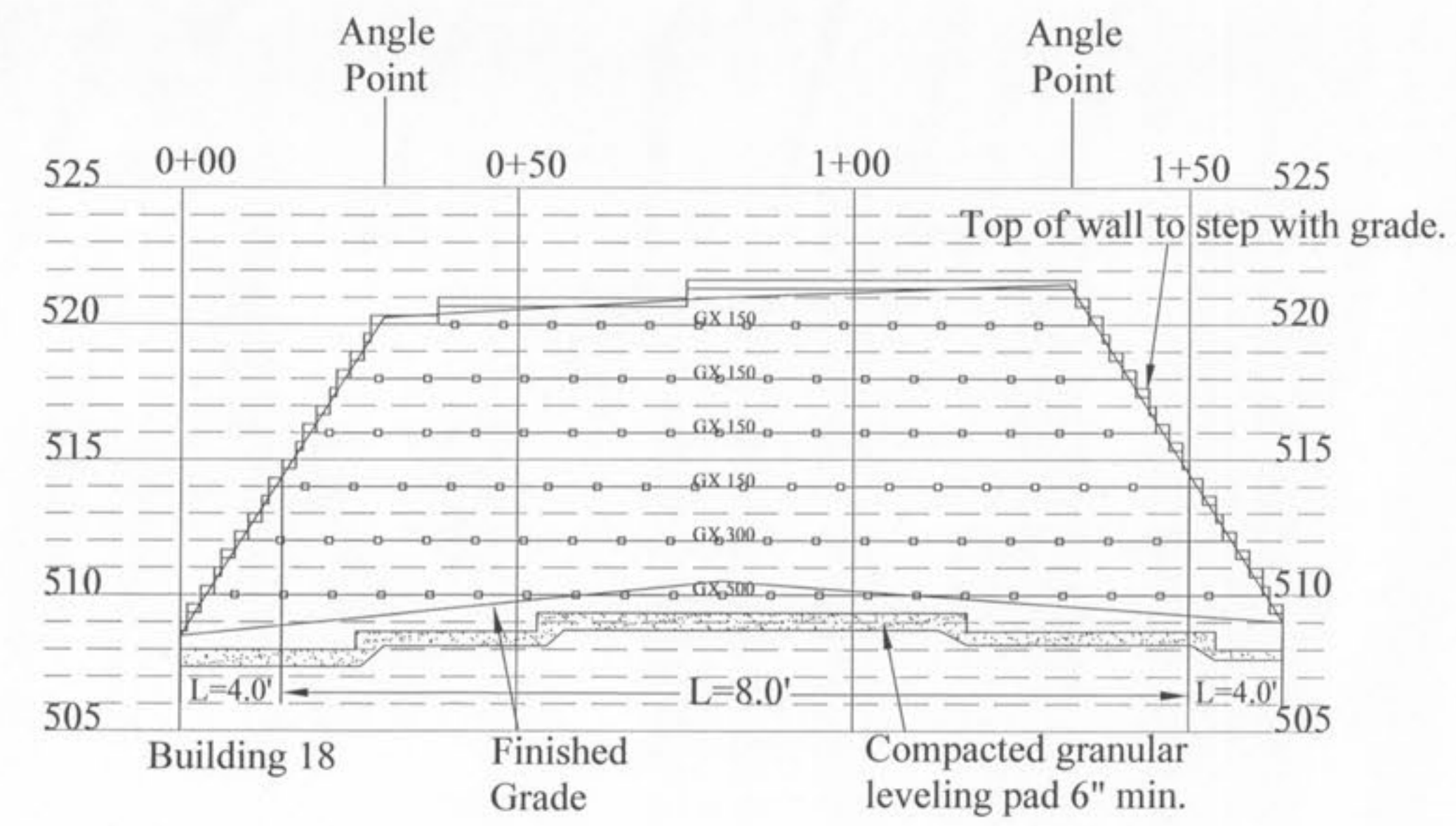


REVISIONS				
ZONE	REV	DESCRIPTION	DATE	APPROVED



Scale
 1" = 5' Vert.
 1" = 20' Horiz



Engineering Solutions, P.C.
 12955 Gravois Road
 Sunset Hills, Mo. 63127
 Phone (314) 280-7748
 Fax (314) 842-8201

Retaining Wall Elevations			
Belleau Crossing O'Fallon, Mo			
SIZE	FSM NO.	DWG NO.	REV
SCALE			SHEET 5 of 5