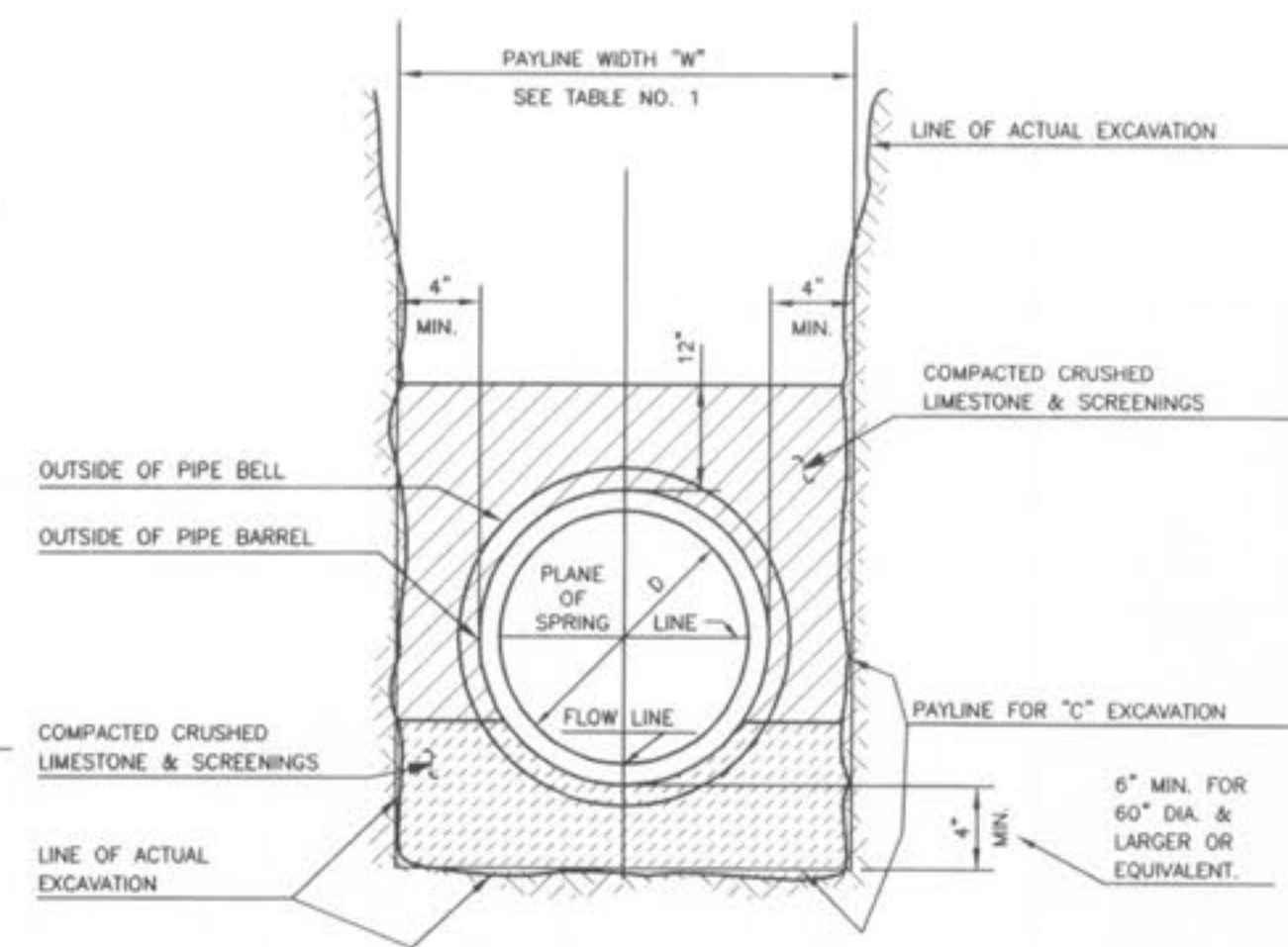
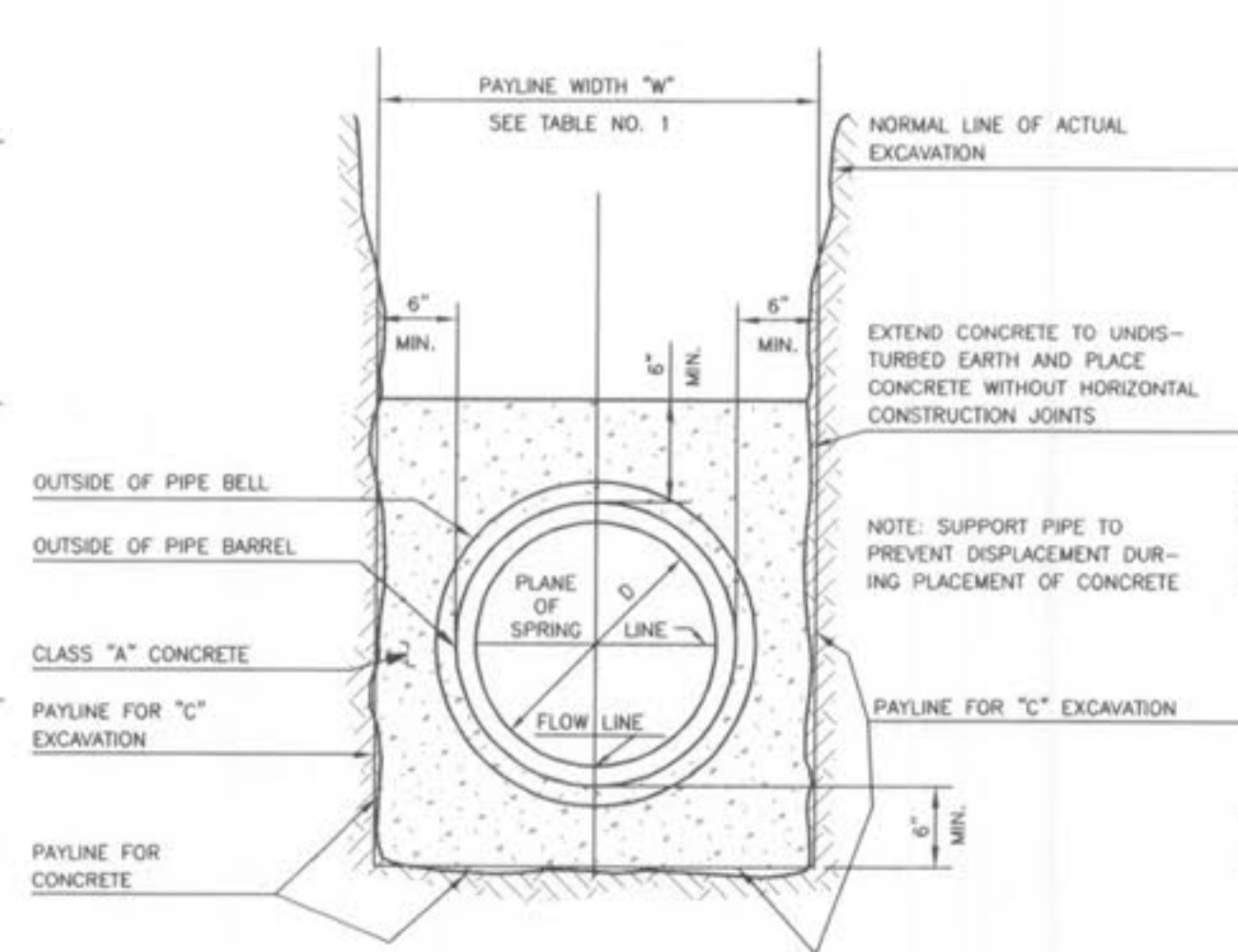


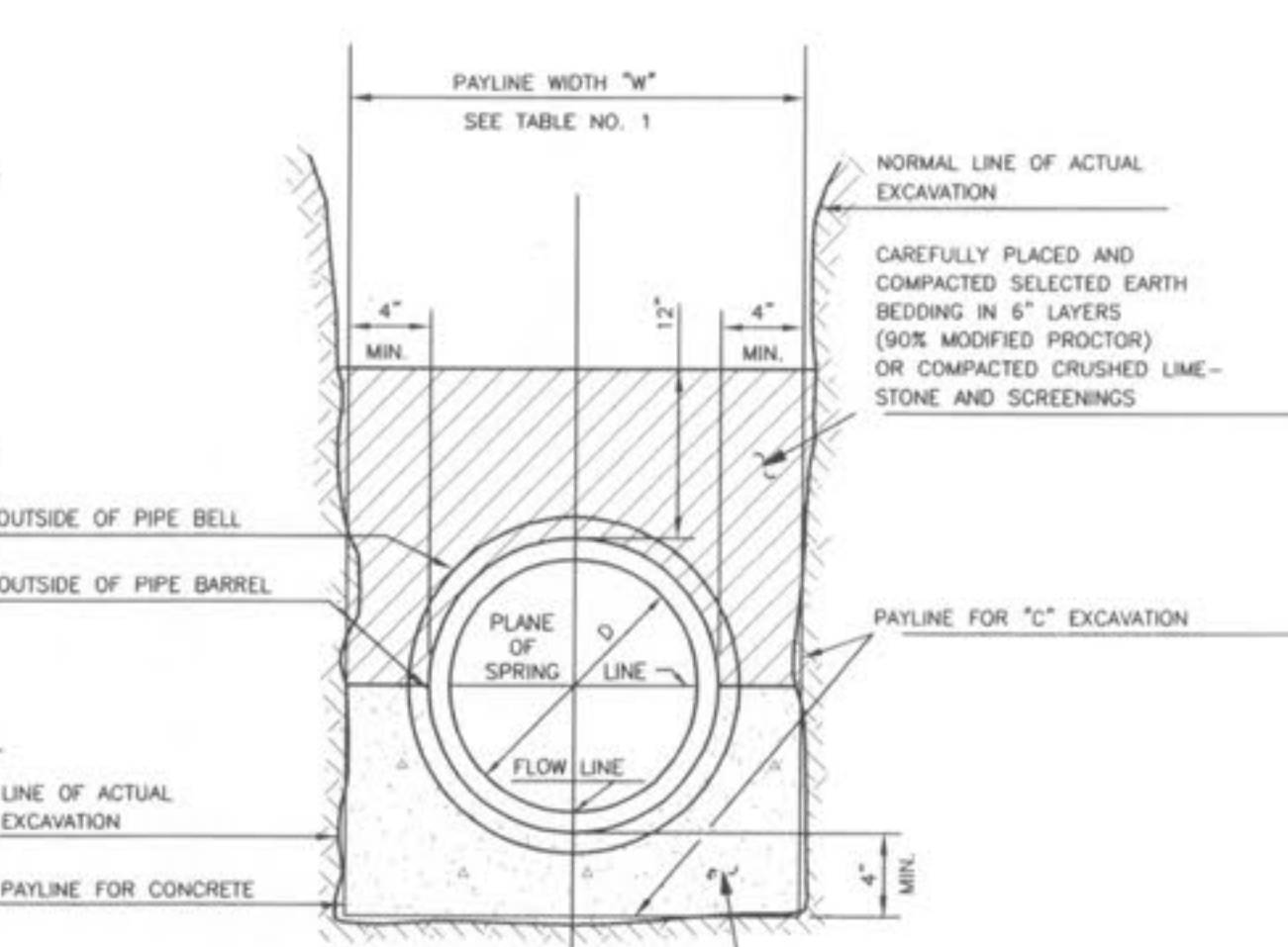
PIPE BEDDING CLASS "C"
(FOR ALL PIPE EXCEPT
REINFORCED CONCRETE PIPE)



PIPE BEDDING CLASS "C"
(MODIFIED FOR REINFORCED
CONCRETE PIPE)



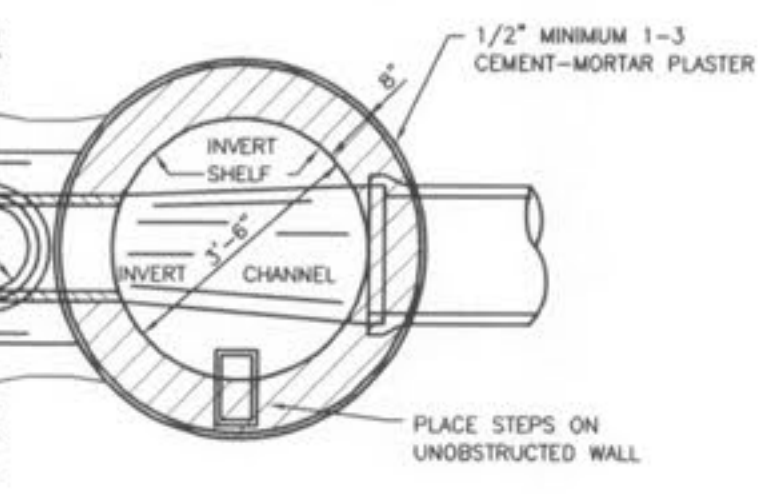
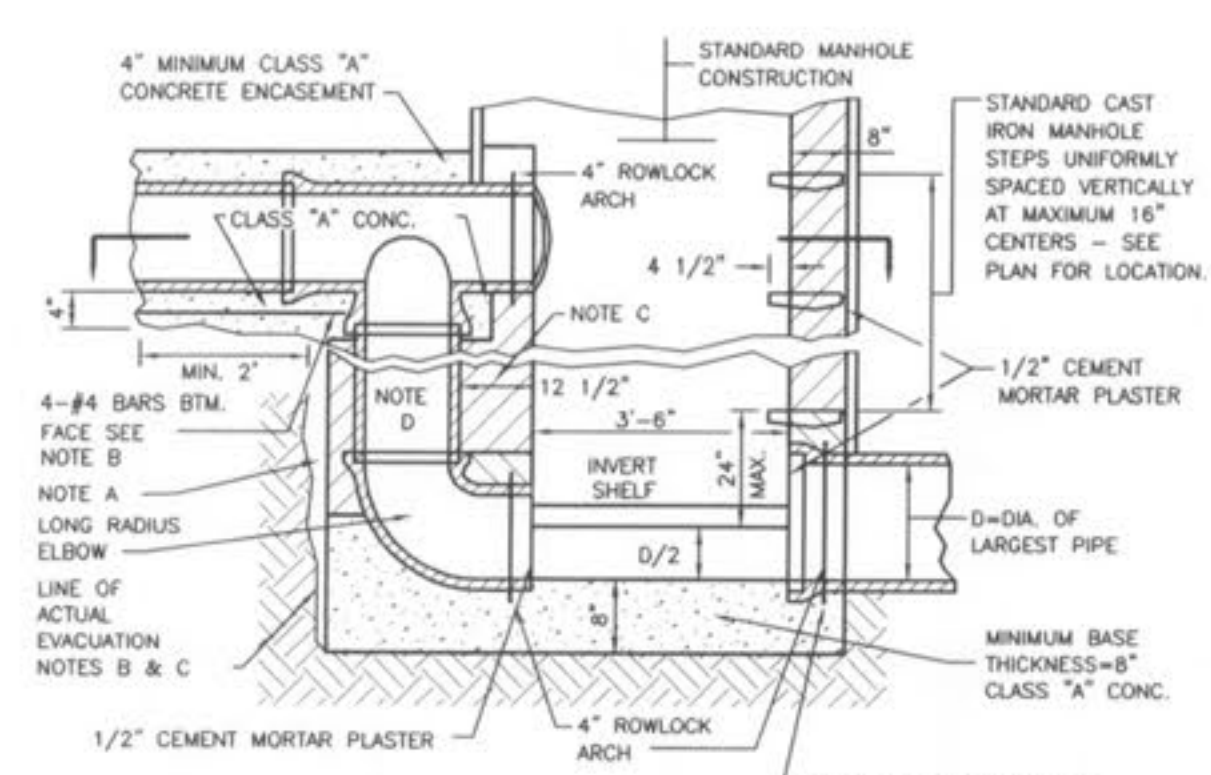
CONCRETE ENCASEMENT



**(CLASS "A" BEDDING)
CONCRETE CRADLE**

ALSO FOR PIPE SEWERS ON GRADES
25% TO 50% INCLUSIVE.
FOR GRADES EXCEEDING 50% SEE
PROJECT SPECIFICATIONS.

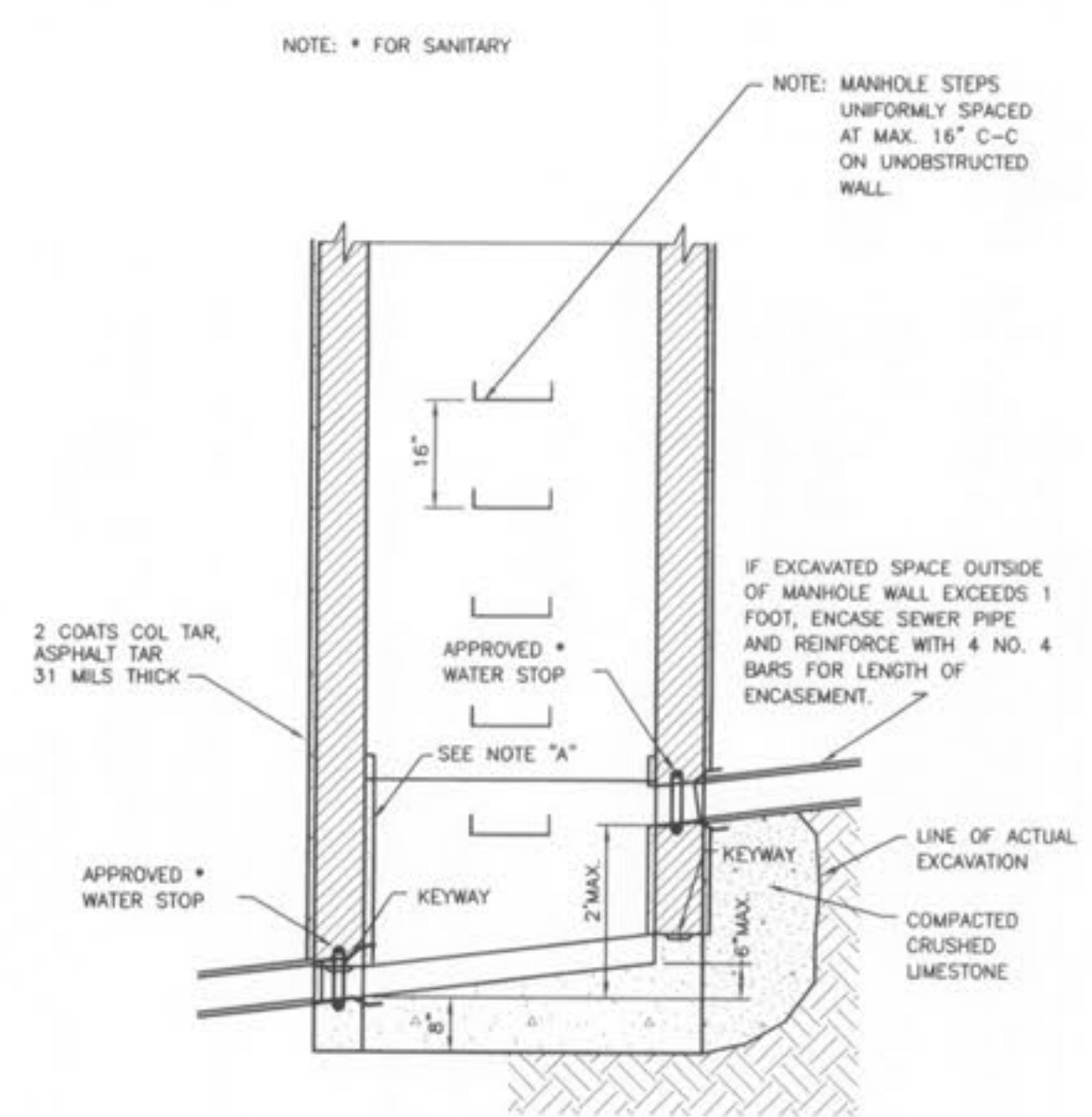
CLASS "A" CONCRETE FOR
PLASTIC PIPE USE CONCRETE
COLLARS TWO FEET LONG AND
SIX INCHES THICK EVERY
TWELVE FEET ADJACENT TO
AND DOWN STREAM OF BELLS.
(IN LIEU OF CONC. CRADLE)



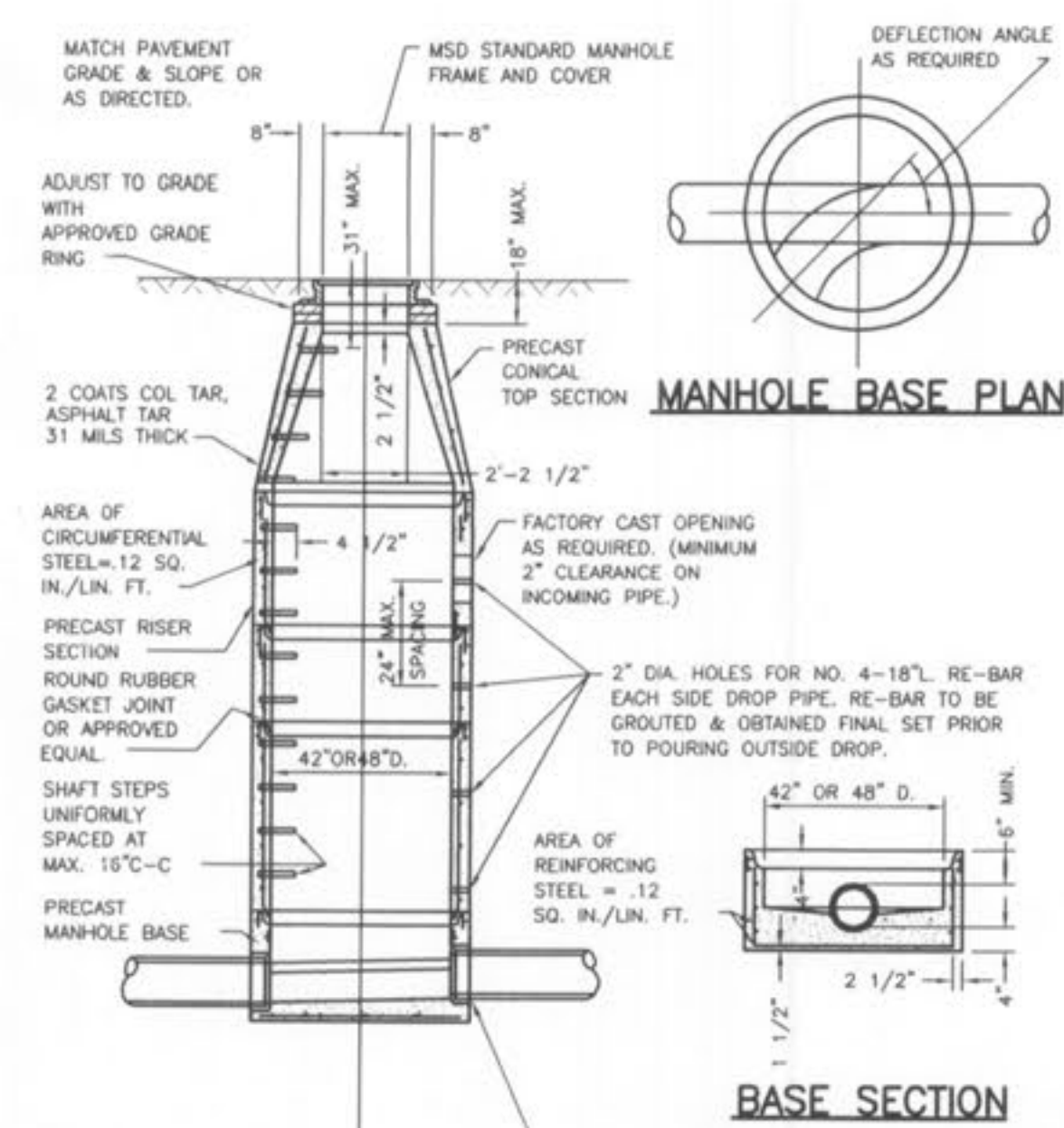
PLAN SECTION

SEE ACCOMPANYING SHEET FOR NOTES.

**OUTSIDE FOULWATER
DROP MANHOLE**



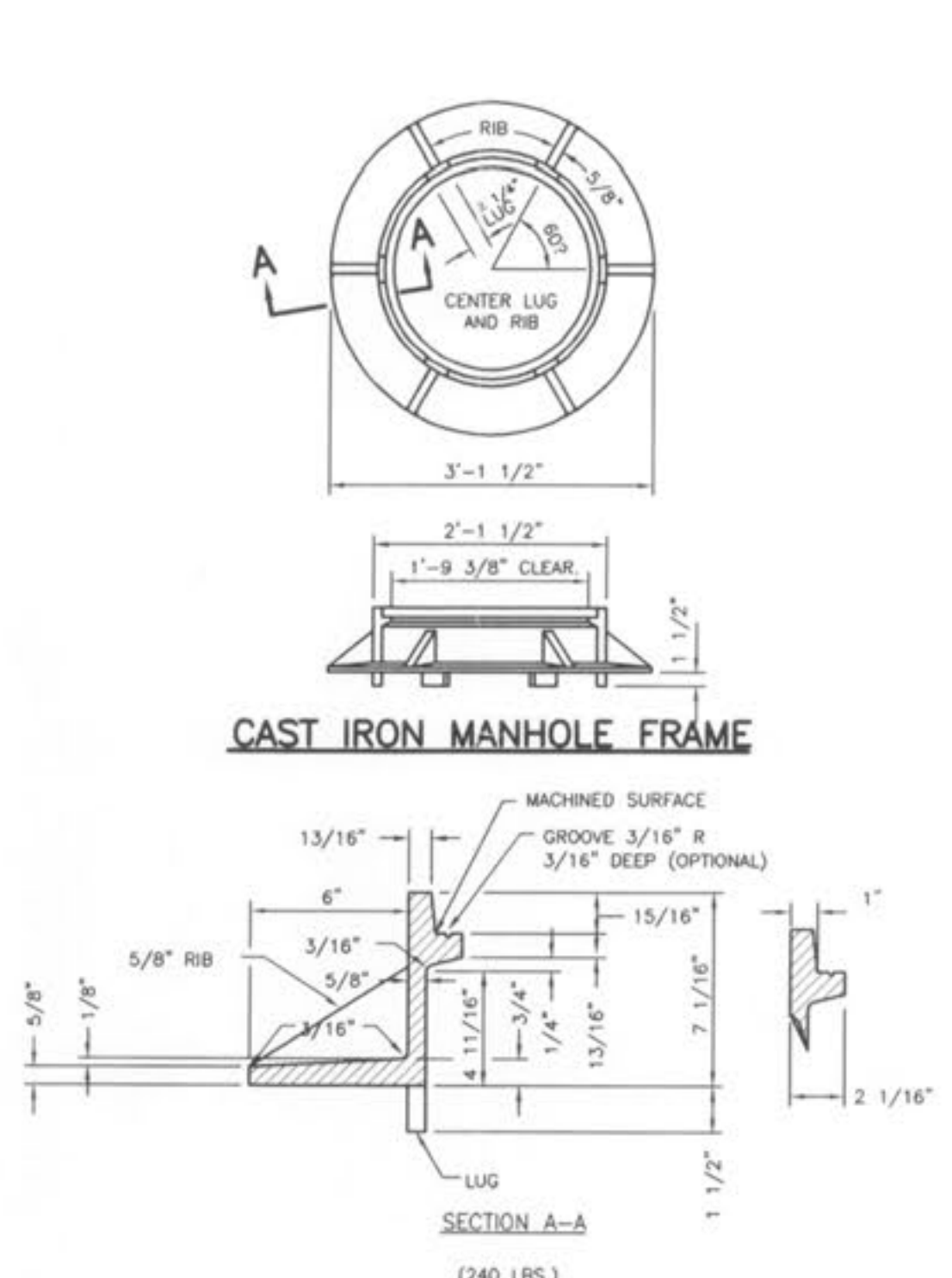
**INSIDE DROP
(8" THRU 24" DIA. PIPE)**



**PRE-CAST CONCRETE MANHOLE
FOR SEWERS
8" THROUGH 12"**

FLOWLINE ELEVATION OF INCOMING
PIPES SHALL BE ONE (1) INCH
HIGHER THAN THAT OF OUTGOING
PIPE.

SEWER MANHOLES OVER 20' DEEP:
THE TOP TWENTY (20') FEET WILL BE A SINGLE
CAGE OF STEEL REINFORCEMENT AND ANY DEPTH
OVER TWENTY (20') FEET SHALL BE A DOUBLE
STEEL CAGE. WALL THICKNESS WILL NOT CHANGE
FOR DEEP STRUCTURES.



**CAST IRON
MANHOLE FRAME**

STANDARD SANITARY DETAILS

CITY OF FALLON
DEPARTMENT OF PUBLIC
WORKS DESIGN GROUP
O'FALLON, MISSOURI



DISCLAIMER OF RESPONSIBILITY
DESIGNER ACCEPTS THAT THE DOCUMENTS PREPARED
HEREIN ARE FOR THE EXCLUSIVE USE OF THE CLIENT AND
THEY ARE NOT TO BE REPRODUCED OR TRANSMITTED IN
ANY FORM OR BY ANY MEANS, ELECTRONIC OR MECHANICAL,
INCLUDING PHOTOCOPYING, RECORDING, OR BY ANY
INFORMATION STORAGE AND RETRIEVAL SYSTEM, WITHOUT
THE WRITTEN PERMISSION OF THE DESIGNER.

DESIGNED: GDD
CHECKED: _____
DATE: _____
PROJECT NO.: _____

SHEET
OF

IMPROVEMENT PLANS
BELLEAU CROSSING
SANITARY DETAILS 1

ST. CHARLES ENGINEERING & SURVEYING, INC.
801 S. FIFTH STREET, SUITE 202
ST. CHARLES, MO 63301
TEL: (636) 947-0607 FAX: (636) 947-2448

S E S



ORDER NO.
04-1419-01
DATE
12/05/07

C-5