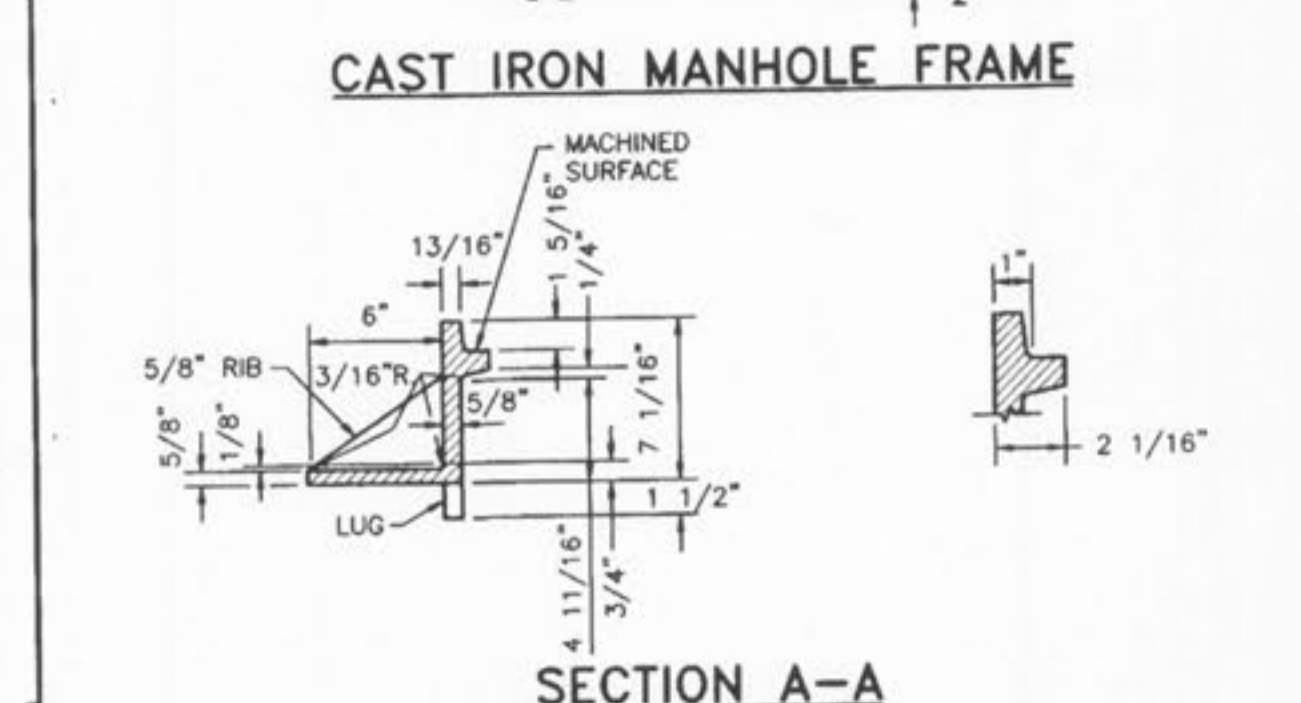
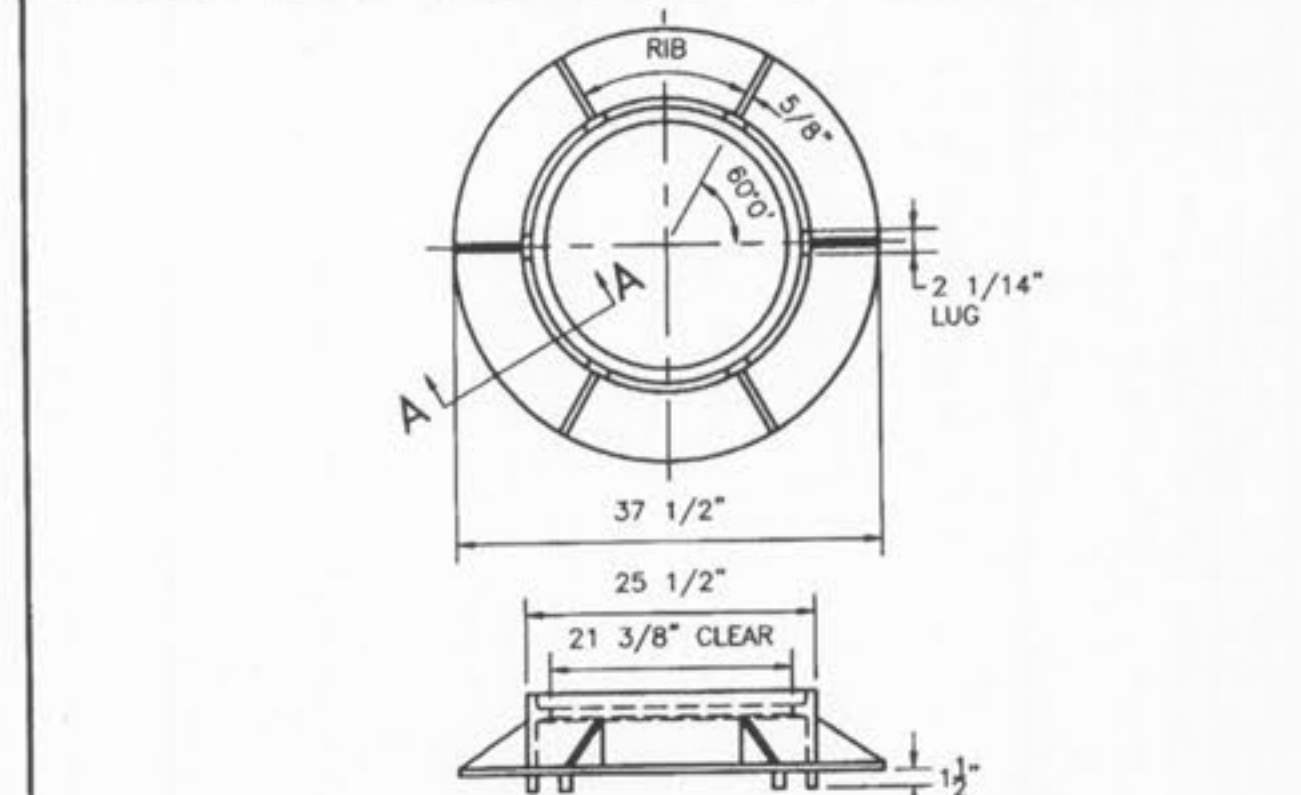


NOTE:
ALL INVERTS SHALL HAVE POSITIVE DRAINAGE THROUGH MANHOLE.

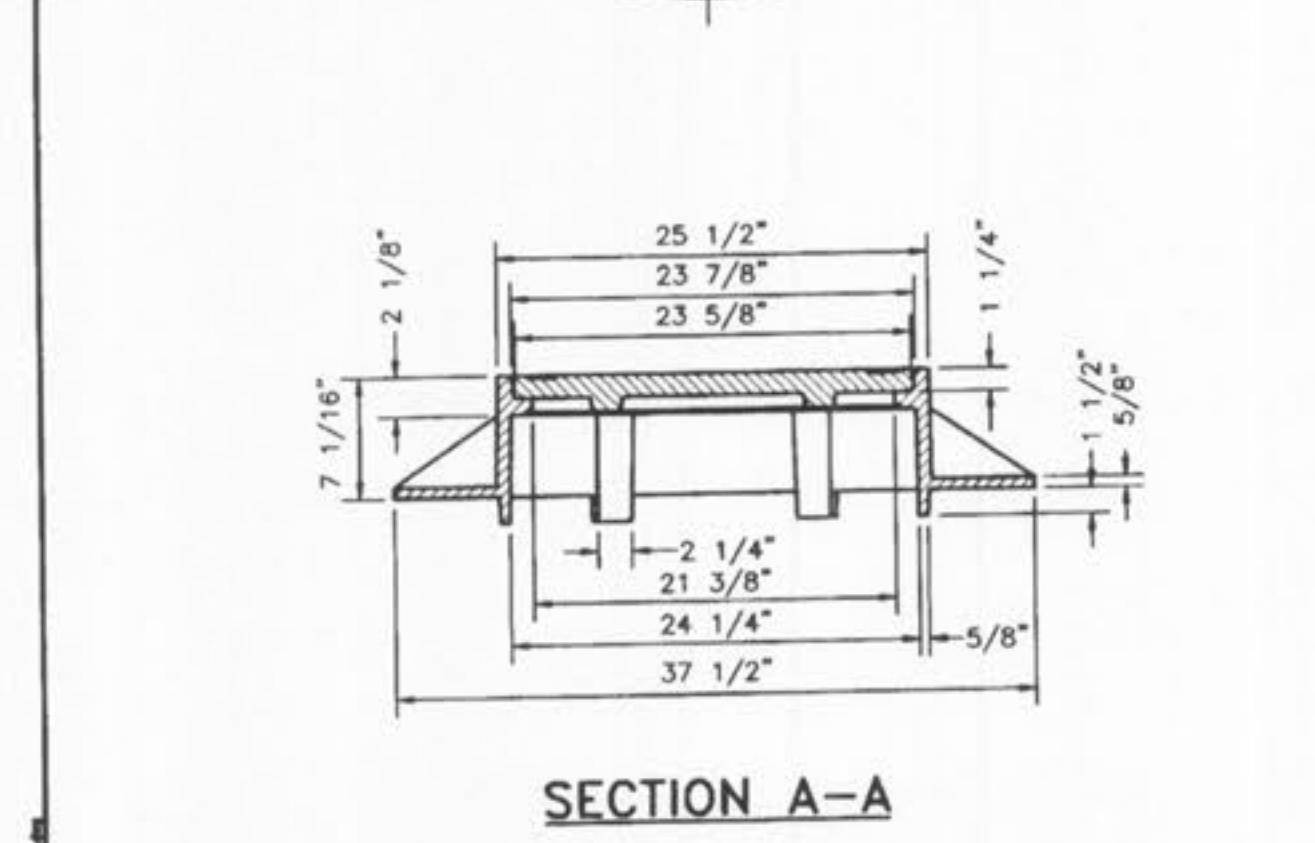
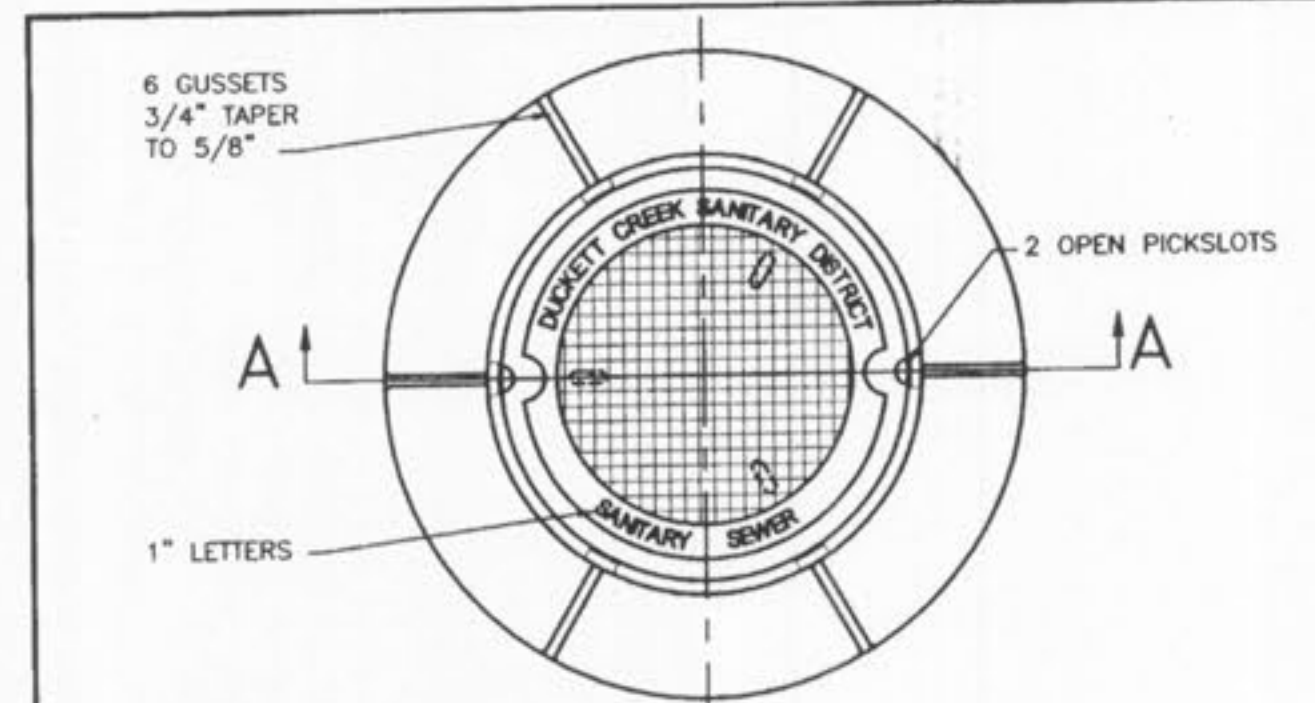
DUCKETT CREEK SANITARY DISTRICT

INSIDE DROP MANHOLE	Dim By: BSM	App By: KLA	Detail No. 10
	Chk By: MDOB	Date: 01-10-00	



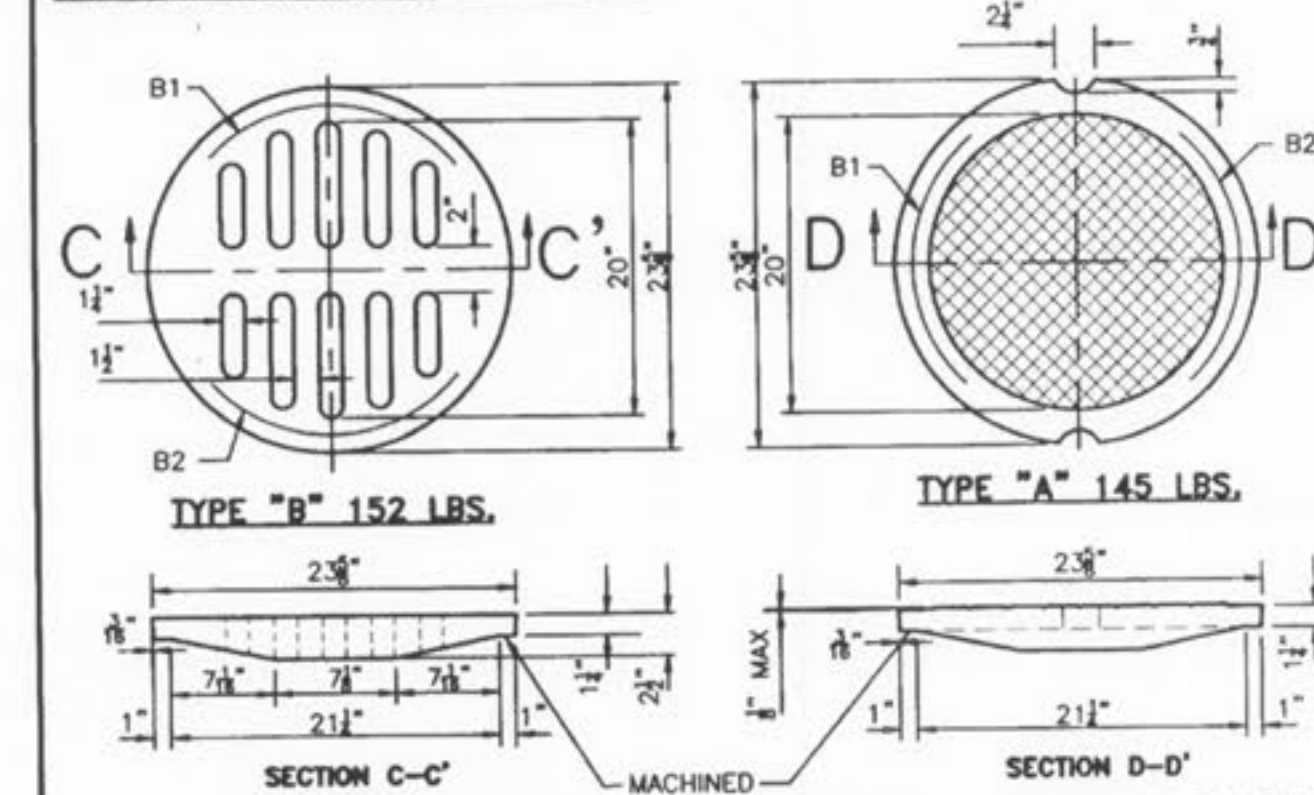
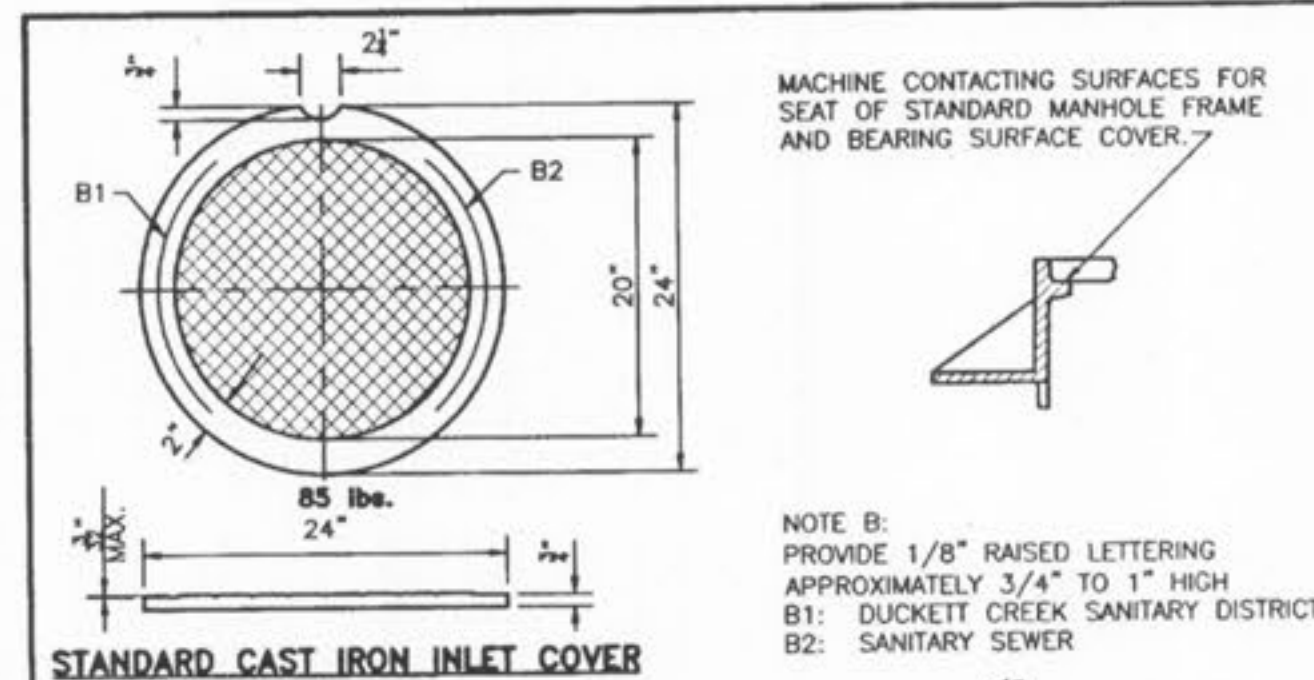
DUCKETT CREEK SANITARY DISTRICT

CAST IRON MANHOLE FRAME	Dim By: BSM	App By: KLA	Detail No. 11
	Chk By: MDOB	Date: 01-14-00	



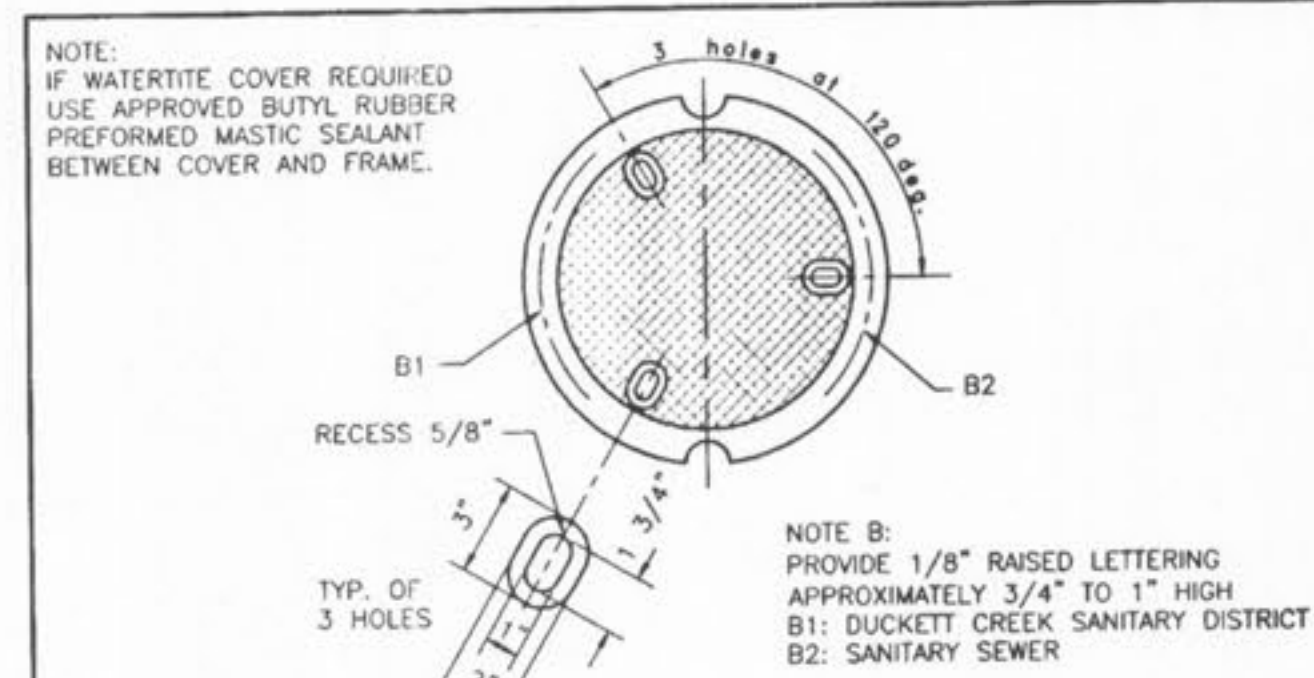
DUCKETT CREEK SANITARY DISTRICT

MANHOLE FRAME AND COVER	Dim By: BSM	App By: KLA	Detail No. 12
	Chk By: MDOB	Date: 01-14-00	



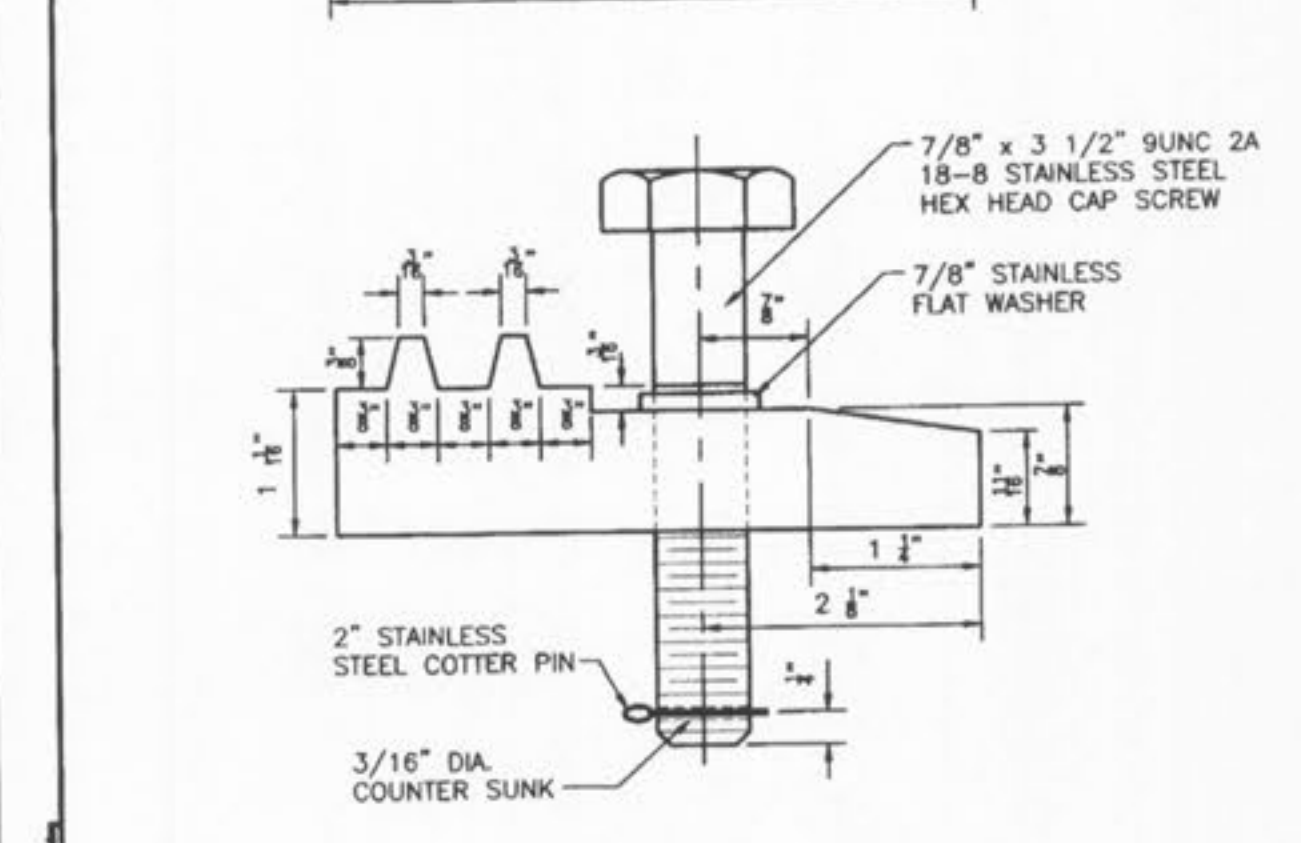
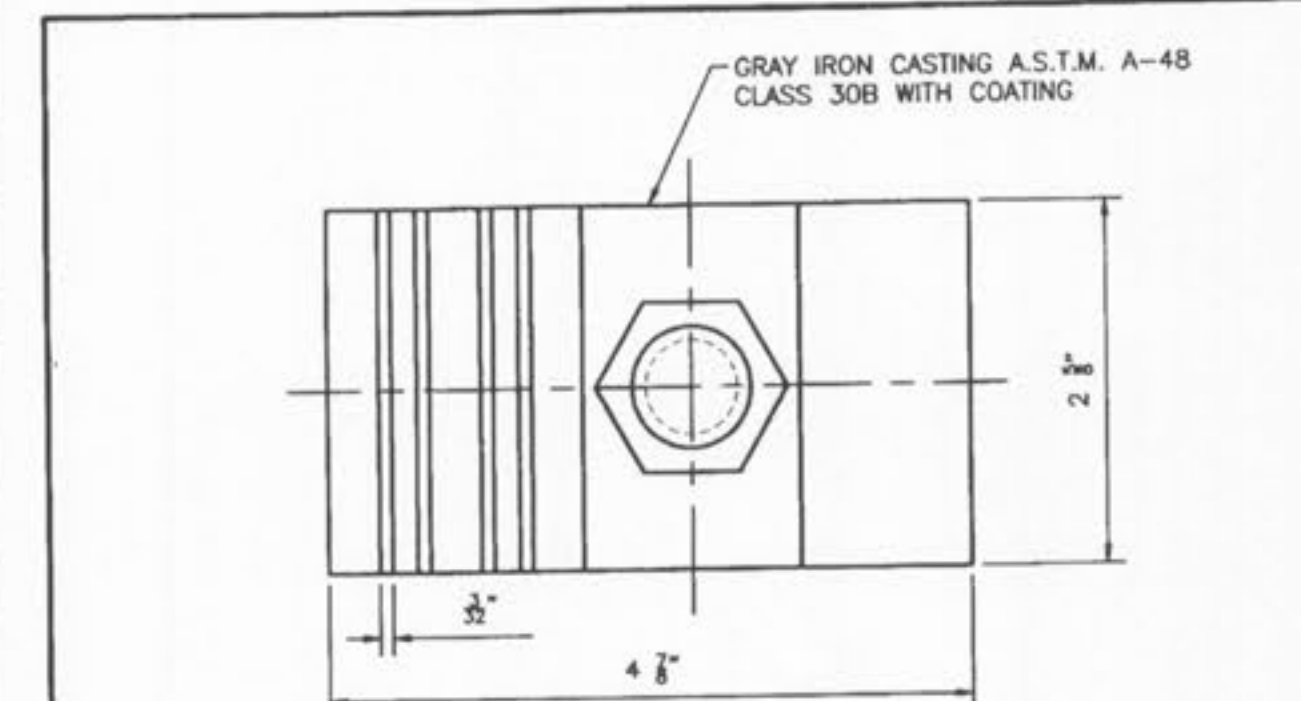
DUCKETT CREEK SANITARY DISTRICT

CAST IRON COVERS MANHOLES AND INLETS	Dim By: BSM	App By: KLA	Detail No. 13
	Chk By: MDOB	Date: 12-22-00	



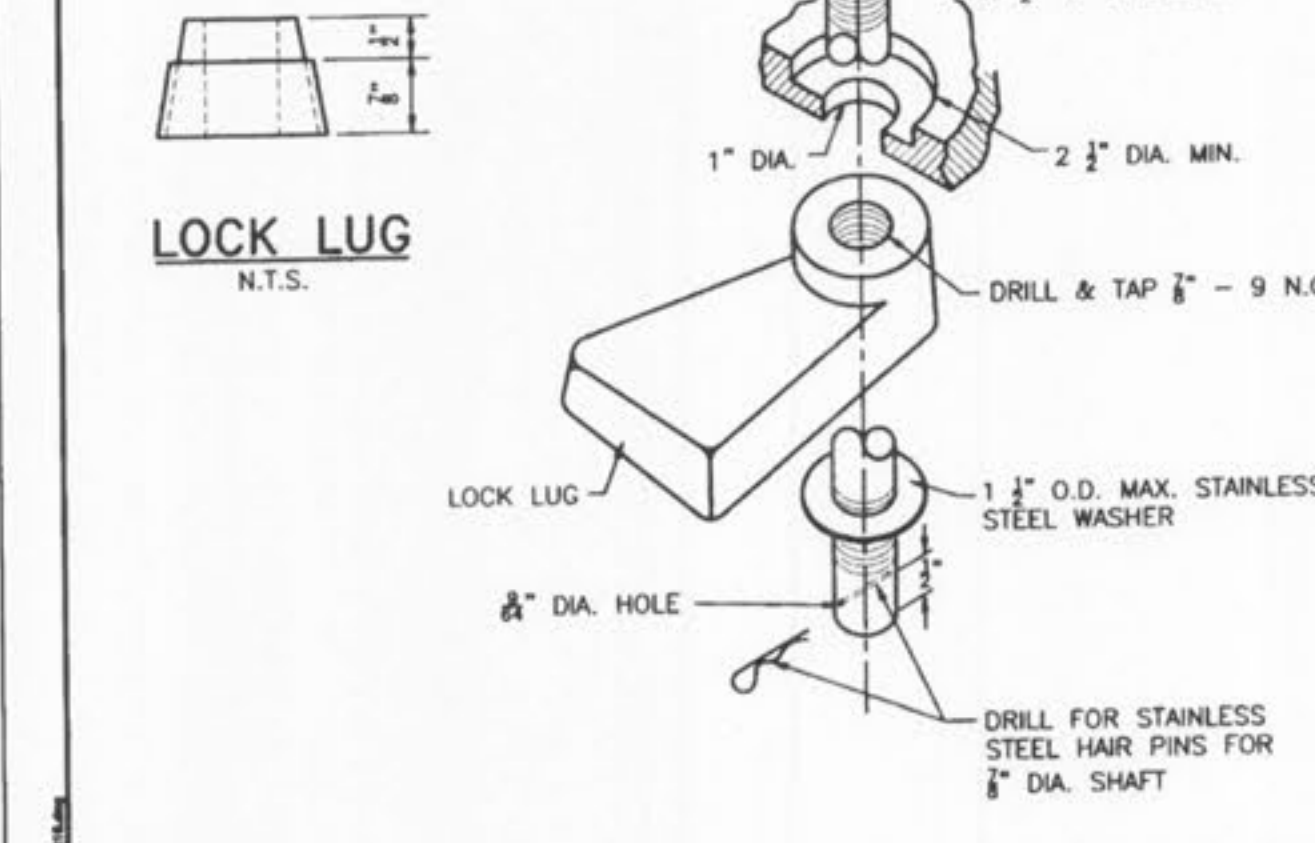
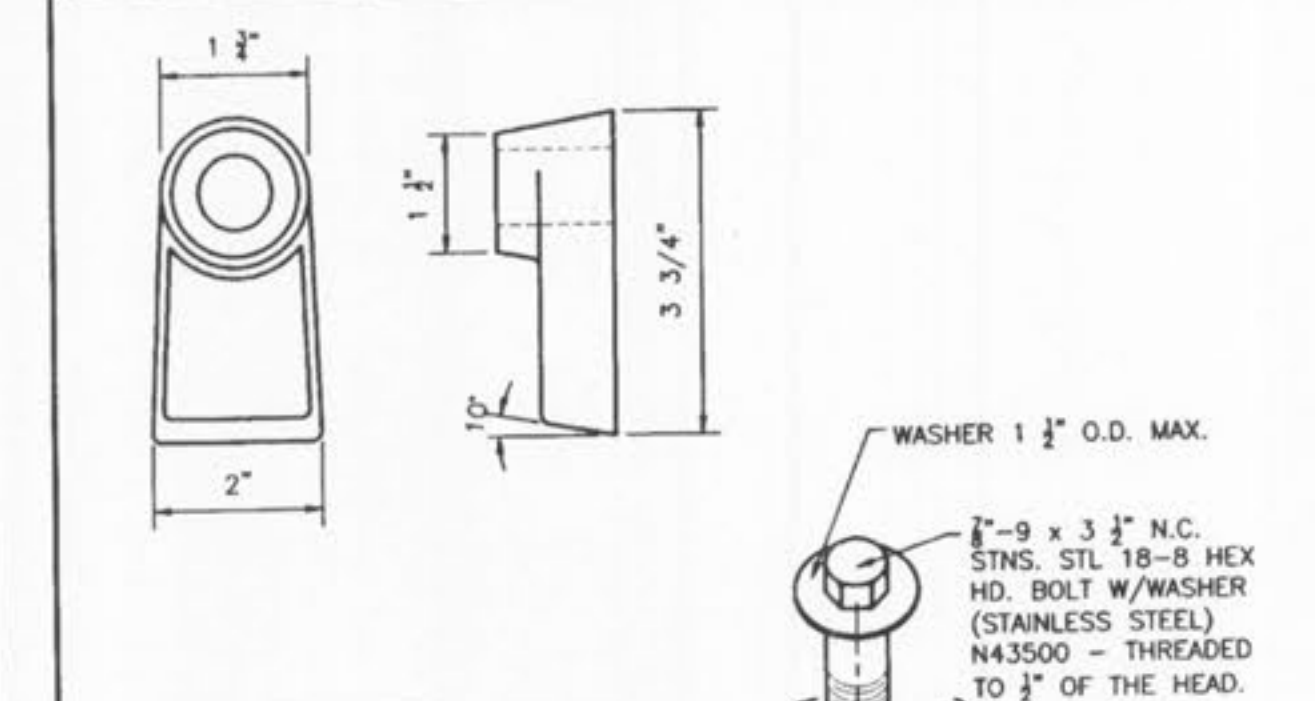
DUCKETT CREEK SANITARY DISTRICT

CAST IRON MANHOLE COVERS (LOCK TYPE)	Dim By: BSM	App By: KLA	Detail No. 14
	Chk By: MDOB	Date: 12-27-00	



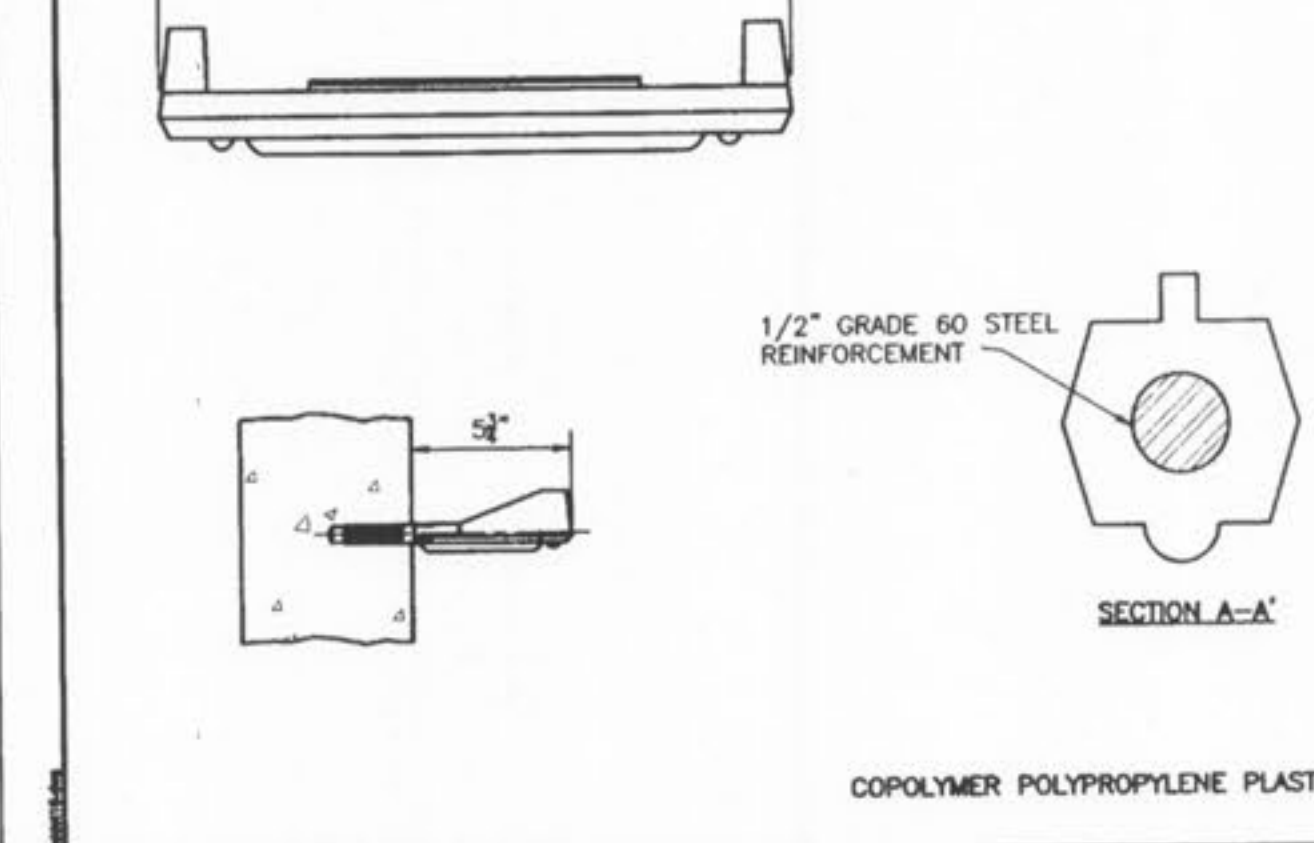
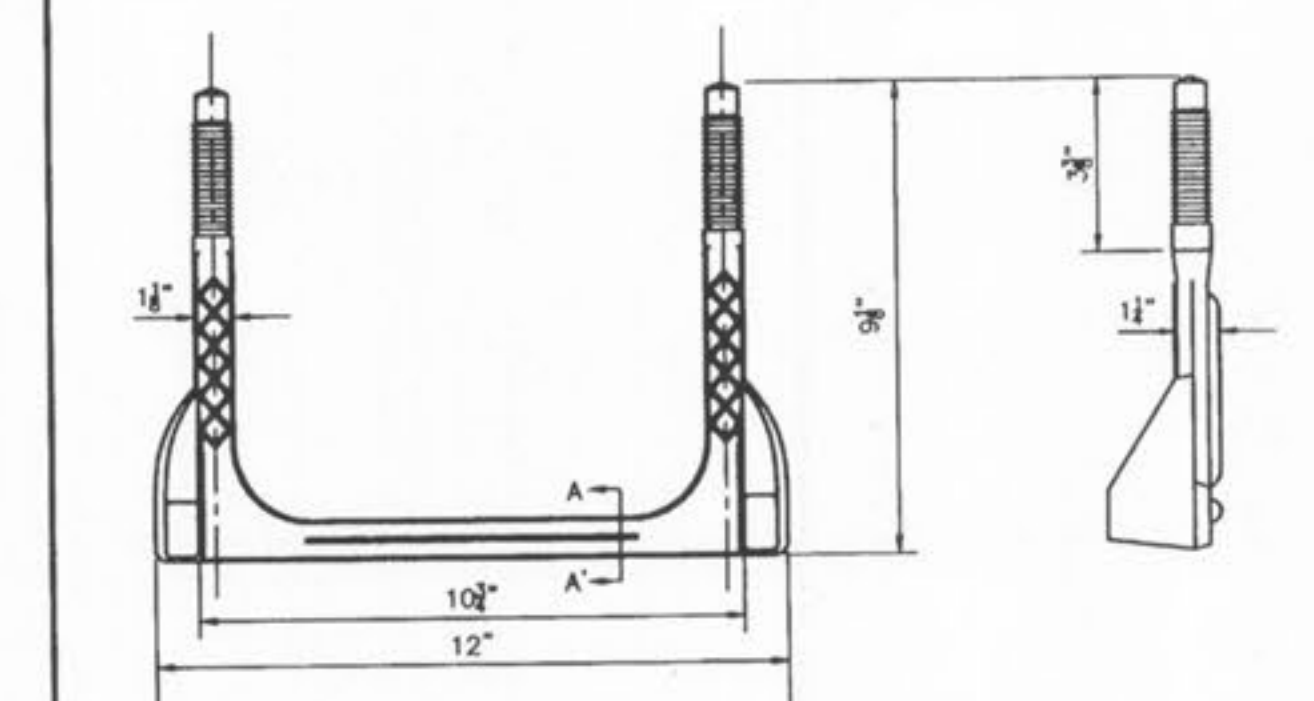
DUCKETT CREEK SANITARY DISTRICT

LOCKING DEVICE FOR TYPE "N" LOCK TYPE MANHOLE COVER	Dim By: BSM	App By: KLA	Detail No. 15
	Chk By: MDOB	Date: 12-27-00	



DUCKETT CREEK SANITARY DISTRICT

LOCKING DEVICE FOR TYPE "N" LOCK TYPE MANHOLE COVER	Dim By: BSM	App By: KLA	Detail No. 16
	Chk By: MDOB	Date: 12-28-00	

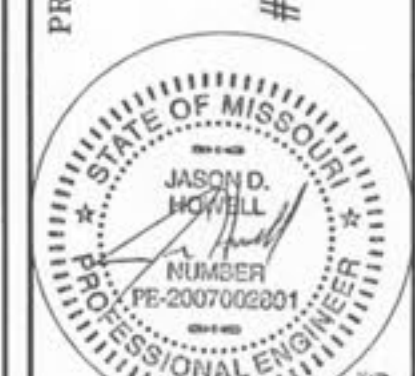


DUCKETT CREEK SANITARY DISTRICT

MANHOLE STEP PRECAST MANHOLE	Dim By: BSM	App By: KLA	Detail No. 18
	Chk By: MDOB	Date: 1-3-01	

ISSUE	REMARKS/DATE
1	FIRST SUBMITTAL 01-12-07

PREPARED FOR:
McBride and Son Homes
Land Development, Inc.
#1 McBride and Son Center Drive
Chesterfield, Missouri 63005
(636) 537-2000



PREPARED BY:
THE STERLING CO.
ENGINEERS & SURVEYORS
5055 NEW BAUMGARTNER ROAD
ST. LOUIS, MISSOURI 63129
(314)-487-0440 FAX 487-8944
E-Mail: Sterling@sterling-eng-sur.com

DRAWN: DESIGNED: CHECKED:
BELMONTE LANDING
SHEET TITLE: DUCKETT CREEK SEWER DETAILS

NO.	05	11	363
M.S.D.			
P#	10.4		
ORIGINAL FILE LOCATION	CONSTRUCTION-2		
DATE	10/1/07		
OF			