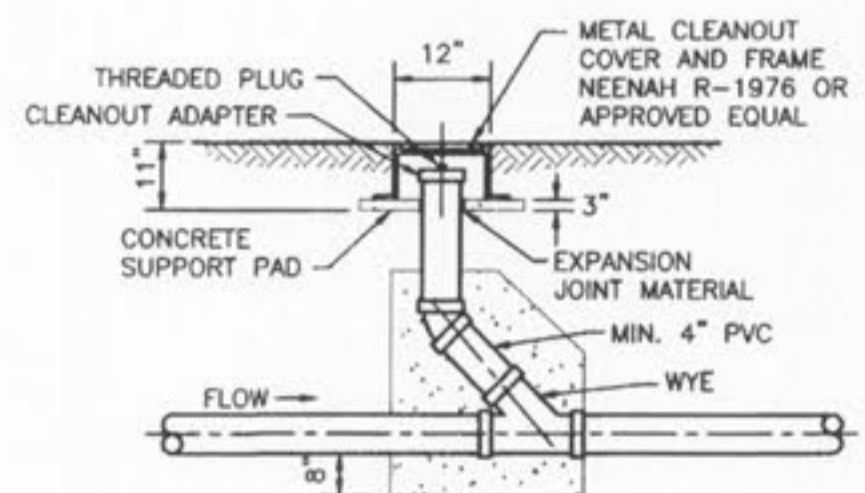


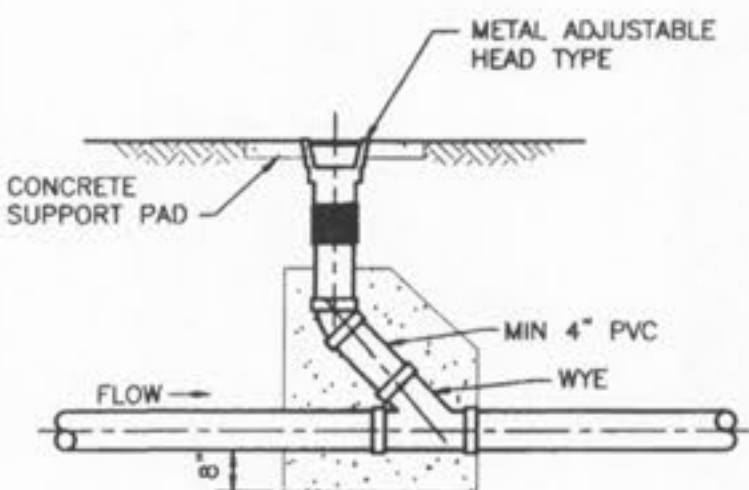
- NOTES:
1. GROUTED RIP-RAP IS REQUIRED AT ALL CREEK CROSSINGS WHERE THE EMBANKMENTS CROSSED ARE STEEPER THAN 1 VERTICAL TO 2 HORIZONTAL RATIO SLOPE; AND ALSO WHERE THERE IS 3 FEET OR LESS COVER OVER THE TOP OF THE SEWER MAIN.
  2. PLACE RIP-RAP ON LOWER 3/4 OF SLOPE, GRADE UPPER 1/4 OF SLOPE AT 1 VERTICAL TO 2 HORIZONTAL SLOPE FOR SOD OR 1 VERTICAL TO 2.5 HORIZONTAL SLOPE FOR SEED AND STRAW.
  3. RIP-RAP TO BE "MSD 5" GRADATION, MINIMUM 12" THICK, GROUTED WITH 8 SACK MIX, SAND-CEMENT SLURRY, BROOM FINISH.
  4. INCORPORATE A 3 FEET DEEP TOE WALL ON EMBANKMENT'S UPPER EDGE OF RIP-RAP.
  5. TOP SURFACE OF RIP-RAP SHOULD NOT BE HIGHER THAN ADJACENT GROUND SURFACE.
  6. IF PIPE HAS LESS THAN 12" COVER, A PAVED CHANNEL MAY BE REQUIRED.
  7. DUCTILE IRON PIPE IS REQUIRED WITHIN THE CREEK LIMITS.

**DUCKETT CREEK SANITARY DISTRICT**

TYPICAL CREEK CROSSING	Des By: BSM	App By: KLA	Detail No. 24
	Chd By: MDOB	Date: 1-8-01	



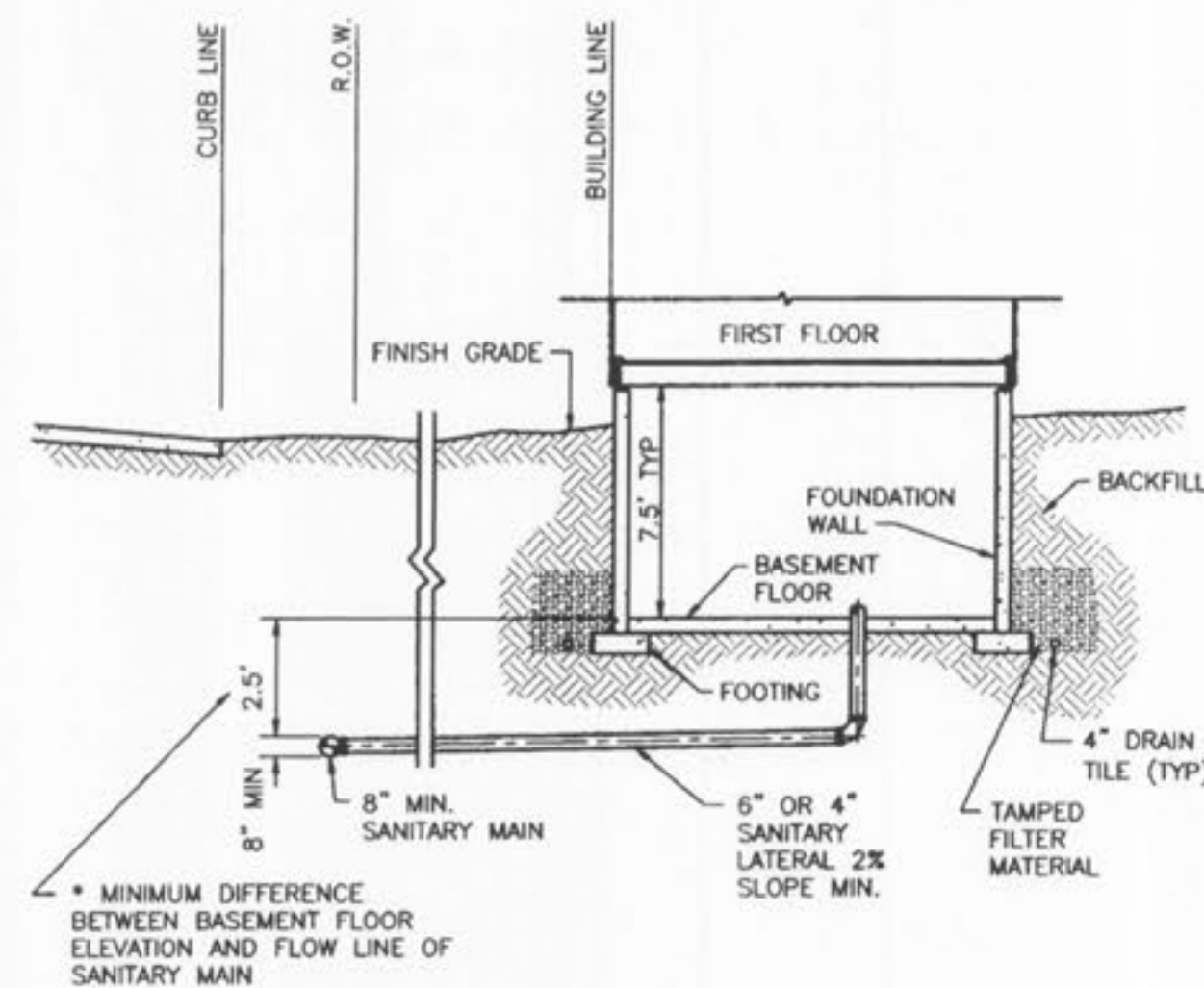
**METAL FRAME AND COVER TYPE CLEANOUT**



**ADJUSTABLE HEAD TYPE CLEANOUT**

**DUCKETT CREEK SANITARY DISTRICT**

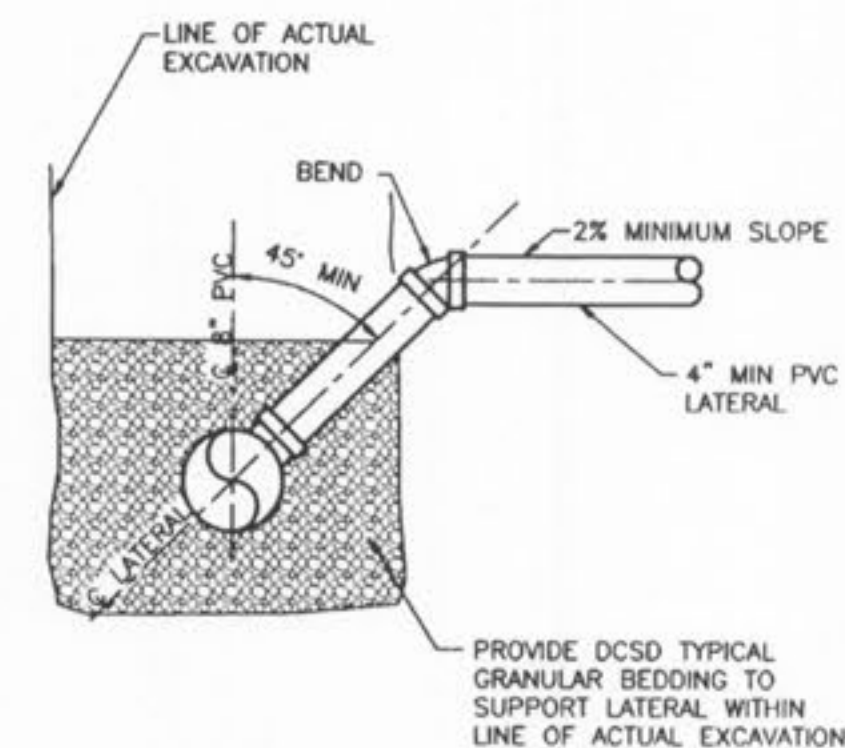
TYPICAL SEWER LATERAL CLEANOUT DETAILS	Des By: BSM	App By: KLA	Detail No. 25
	Chd By: MDOB	Date: 1-8-01	



\*NOTE: DIFFERENCE IN DEPTH INCREASES WITH PIPE SIZE

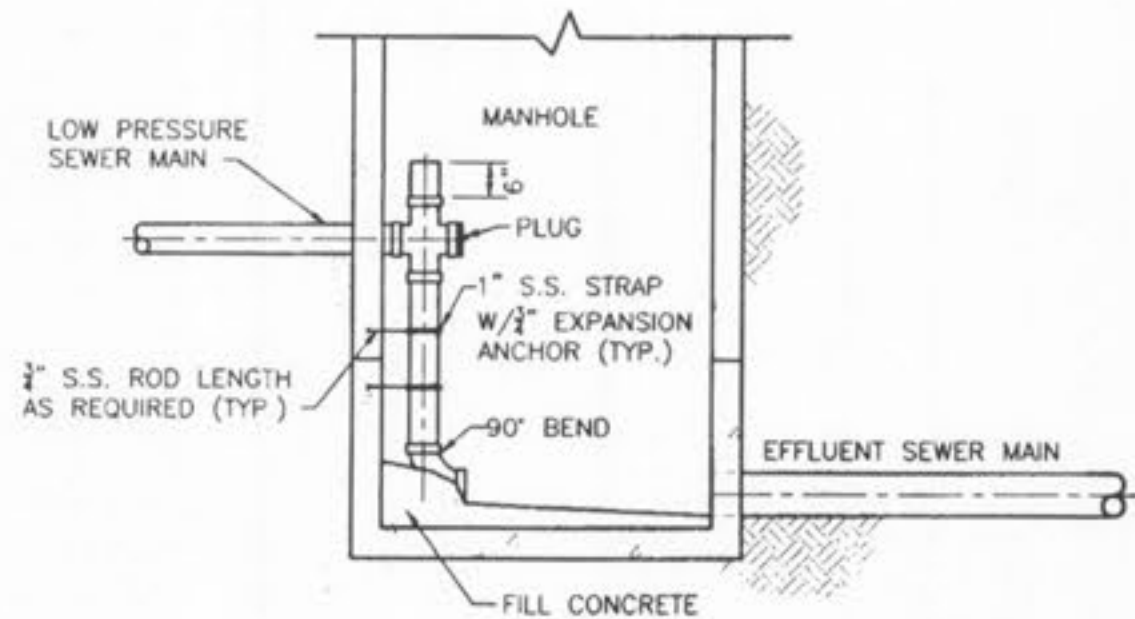
**DUCKETT CREEK SANITARY DISTRICT**

TYPICAL SANITARY SEWER LATERAL PROFILE	Des By: BSM	App By: KLA	Detail No. 26
	Chd By: MDOB	Date: 1-9-01	



**DUCKETT CREEK SANITARY DISTRICT**

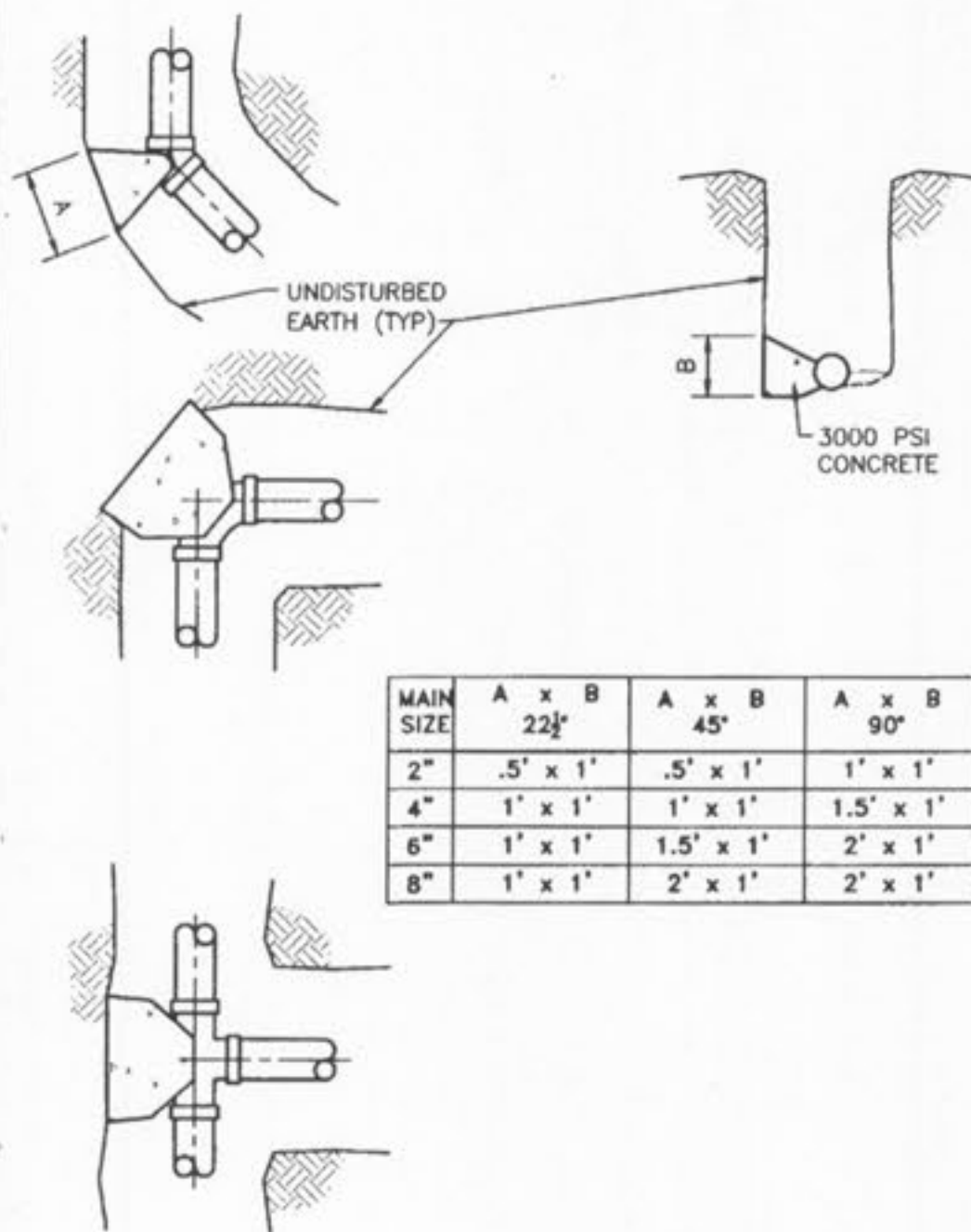
SANITARY SEWER LATERAL RISER DETAIL	Des By: BSM	App By: KLA	Detail No. 27
	Chd By: MDOB	Date: 1-9-01	



NOTE: INVERT-BOTTOM SHALL BE WORKED TO PROVIDE POSITIVE DRAINAGE THROUGH MANHOLE

**DUCKETT CREEK SANITARY DISTRICT**

LOW PRESSURE SEWER MAIN CONNECTION AT MANHOLE	Des By: BSM	App By: KLA	Detail No. 28
	Chd By: MDOB	Date: 1-9-01	



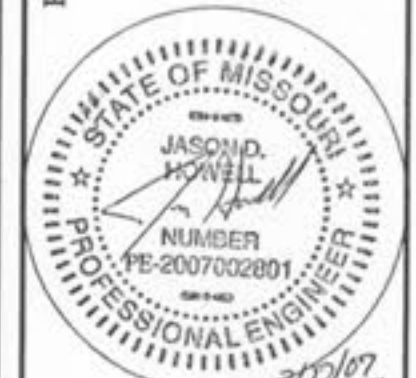
MAIN SIZE	A x B	A x B	A x B	A x B
	22'	45'	90'	TEE
2"	.5' x 1'	.5' x 1'	1' x 1'	1' x 1'
4"	1' x 1'	1' x 1'	1.5' x 1'	1' x 1'
6"	1' x 1'	1.5' x 1'	2' x 1'	1.5' x 1'
8"	1' x 1'	2' x 1'	2' x 1'	2' x 1'

**DUCKETT CREEK SANITARY DISTRICT**

THRUST BLOCK DETAIL AND SIZE SCHEDULE	Des By: BSM	App By: KLA	Detail No. 29
	Chd By: MDOB	Date: 1-9-01	

ISSUE REMARKS/DATE  
FIRST SUBMITTAL/01-12-07

PREPARED FOR:  
**McBride and Son Homes  
Land Development, Inc.**  
#1 McBride and Son Center Drive  
Chesterfield, Missouri 63005  
(636) 537-2000



PREPARED BY:  
**THE STERLING CO.**  
ENGINEERS & SURVEYORS  
5055 NEW BAUMGARTNER ROAD  
ST. LOUIS, MISSOURI 63129  
(314)-487-0440 FAX 487-8944  
E-Mail: Sterling@sterling-eng-sur.com

DRAWN: DESIGNED: CHECKED:  
**BELMONTE LANDING**  
PROJECT:  
SHEET TITLE: DUCKETT CREEK SEWER DETAILS

NO. 05 11 363	SHEET
M.S.D.	10.6
P#	OF
DIGITAL FILE LOCATION: STERLING-STOLING-2 KLA/P	