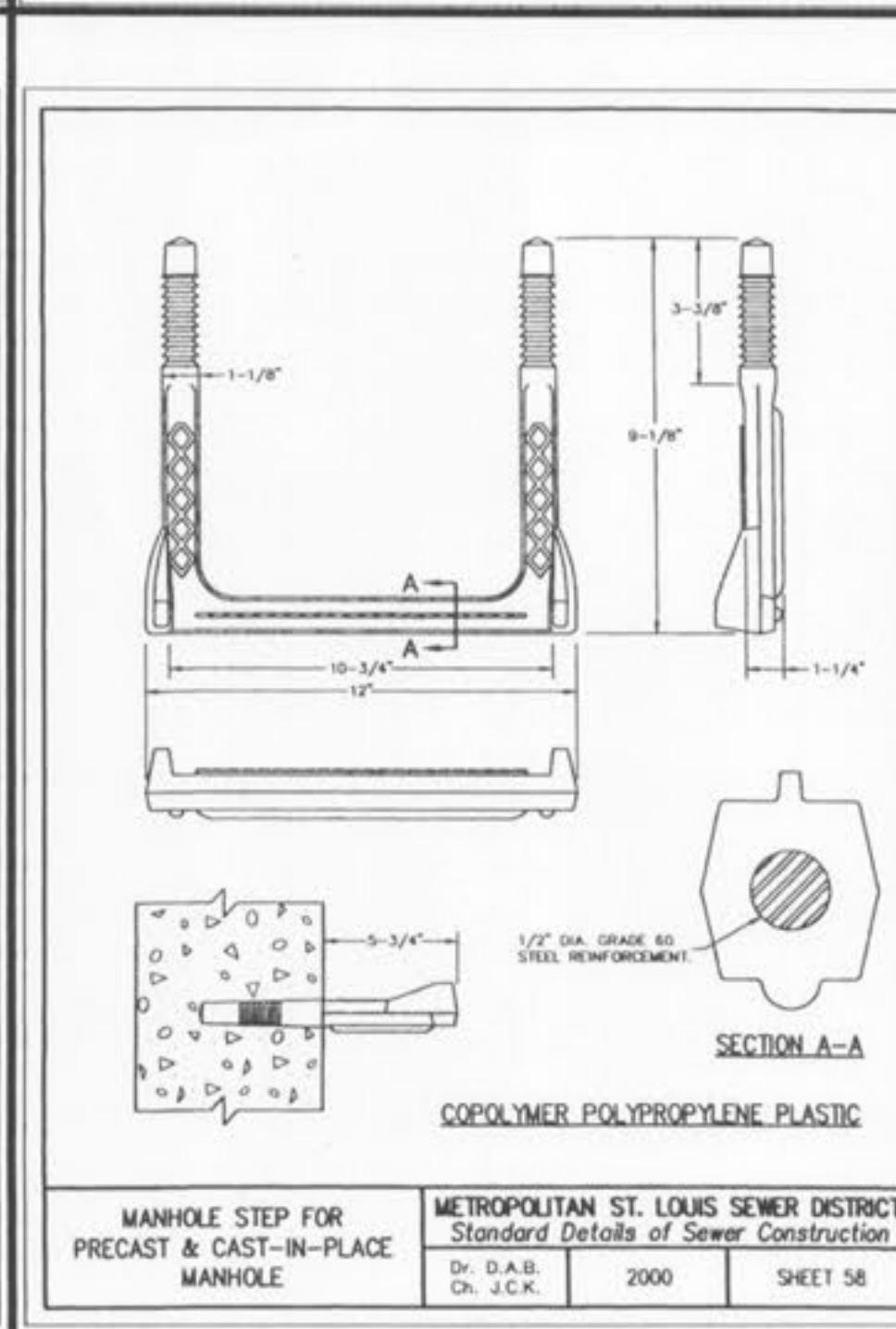
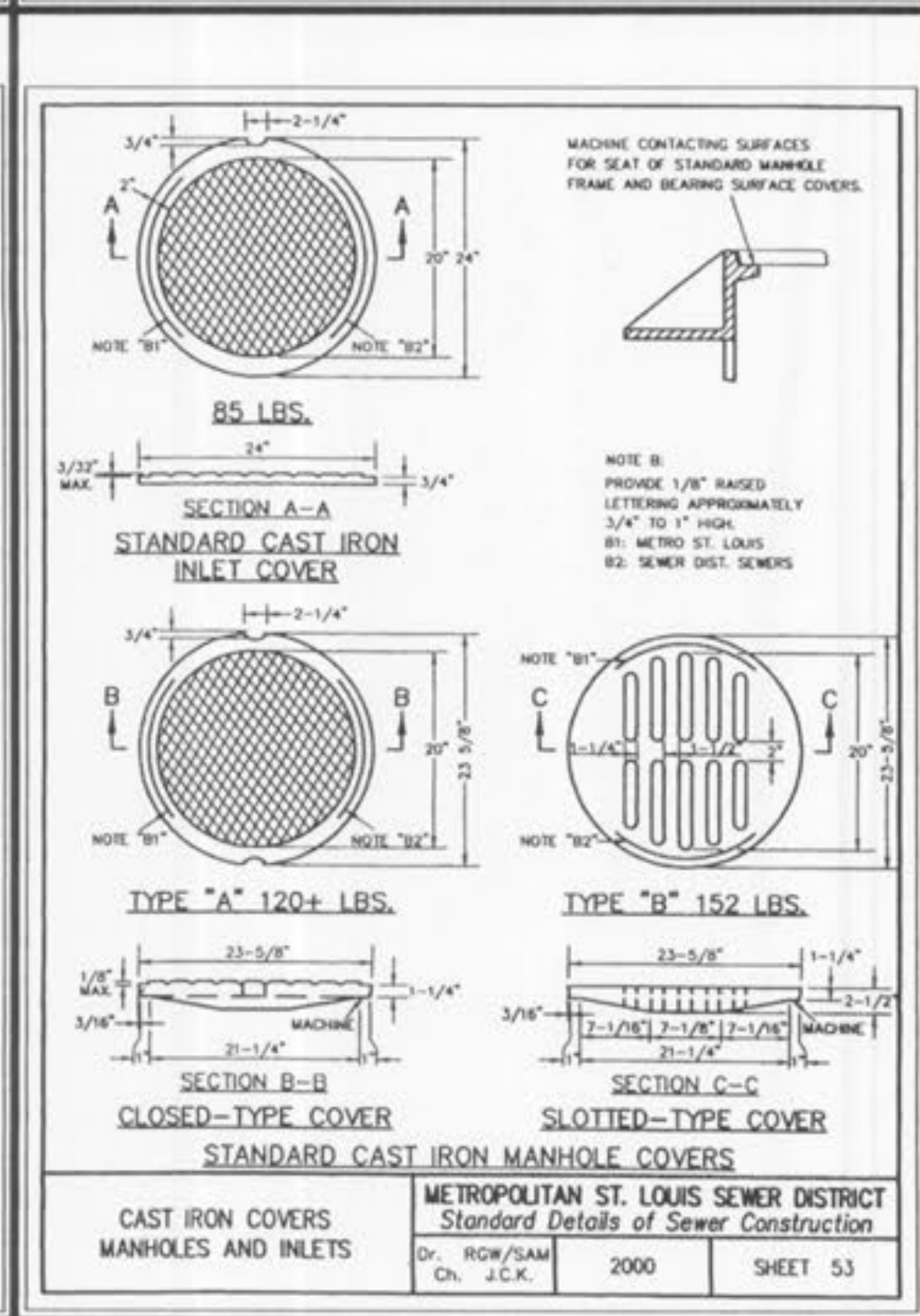
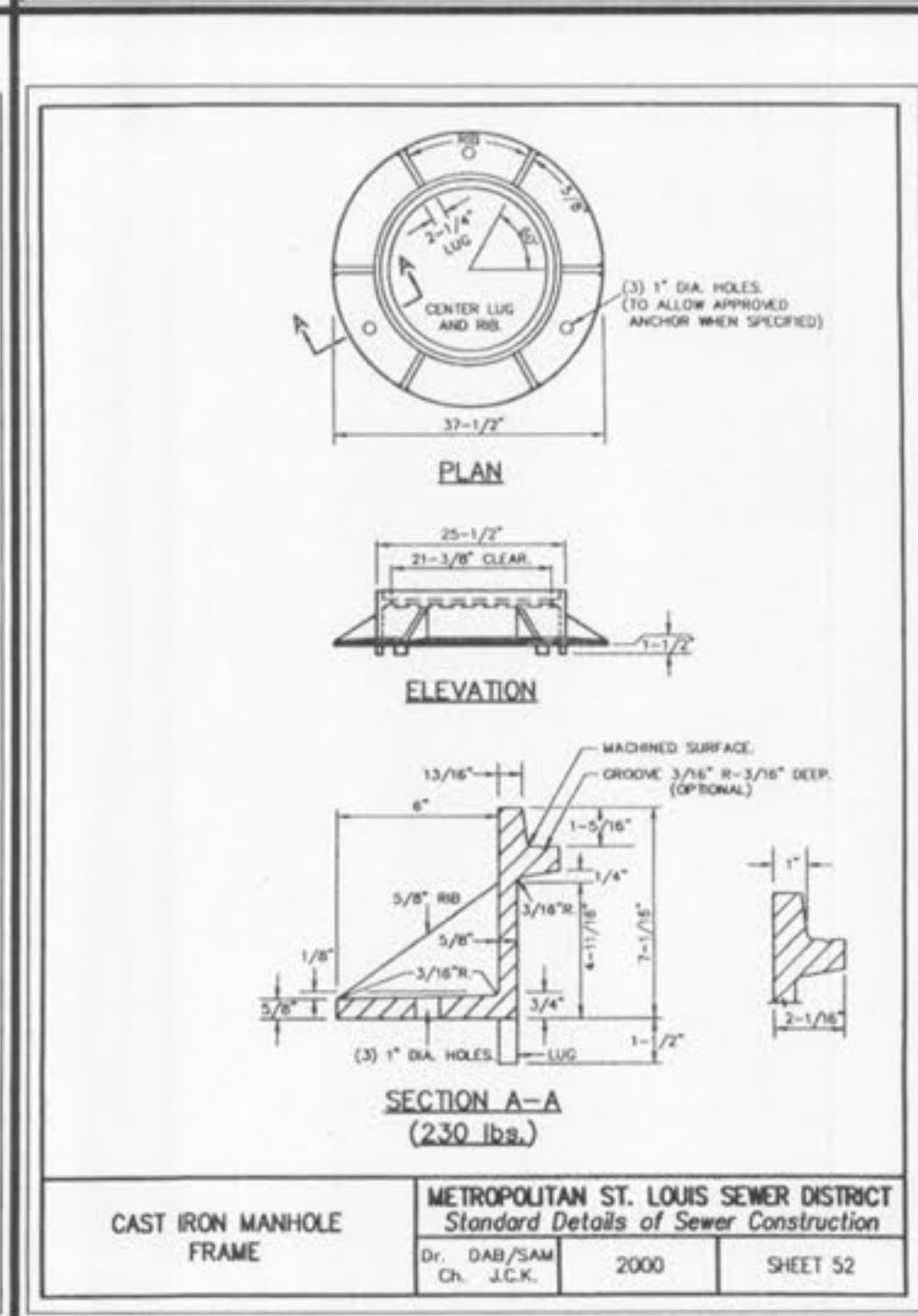
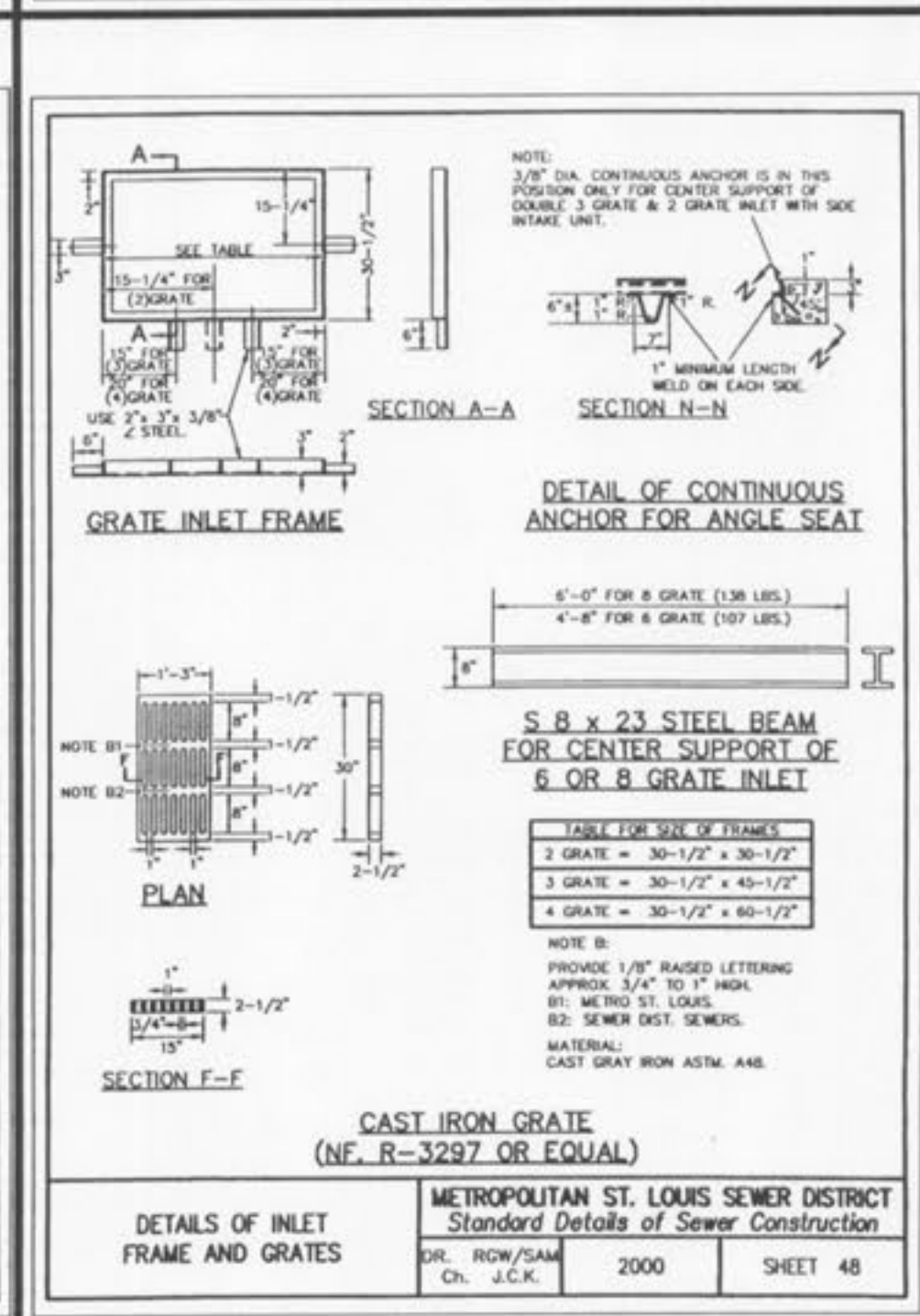
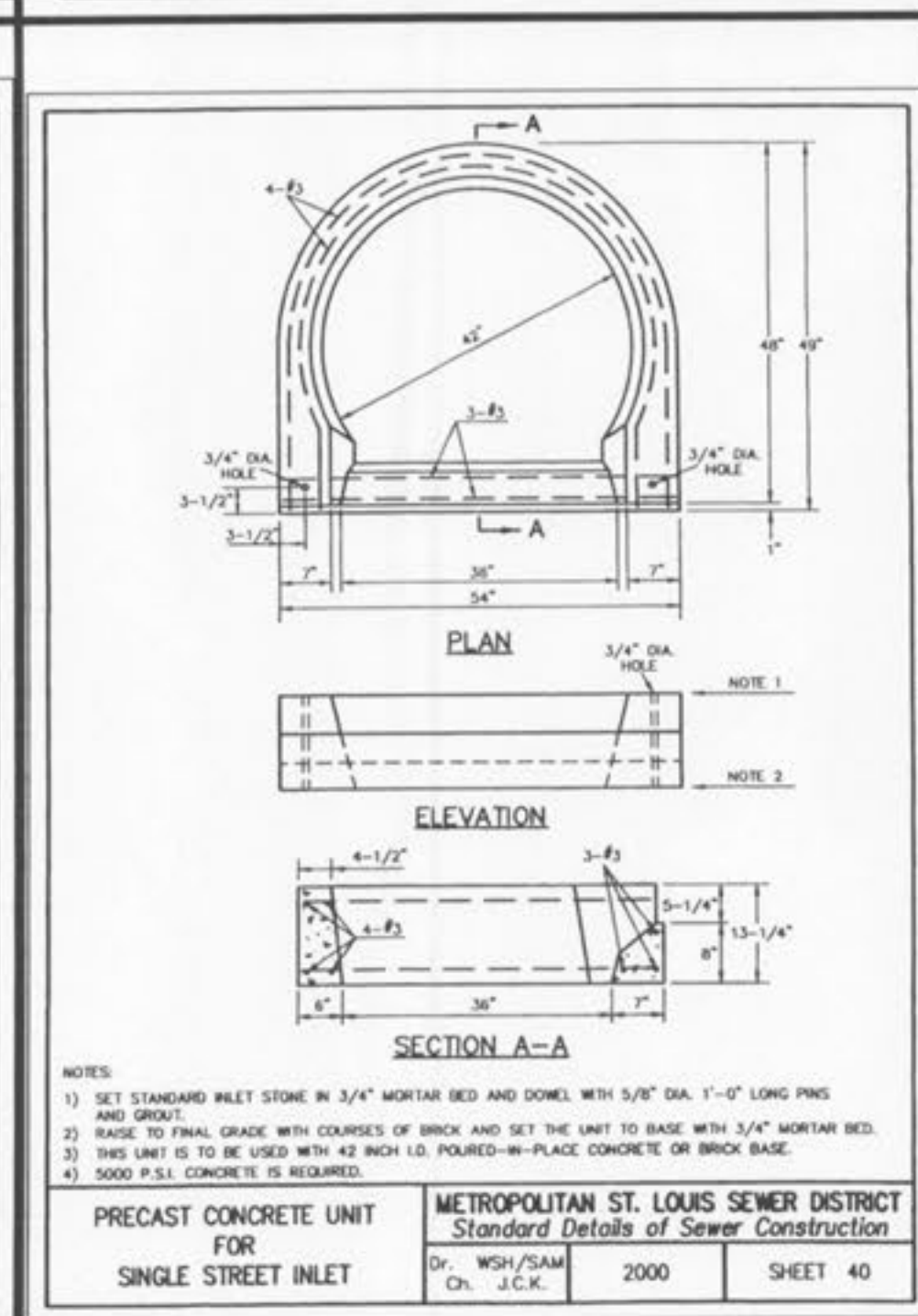
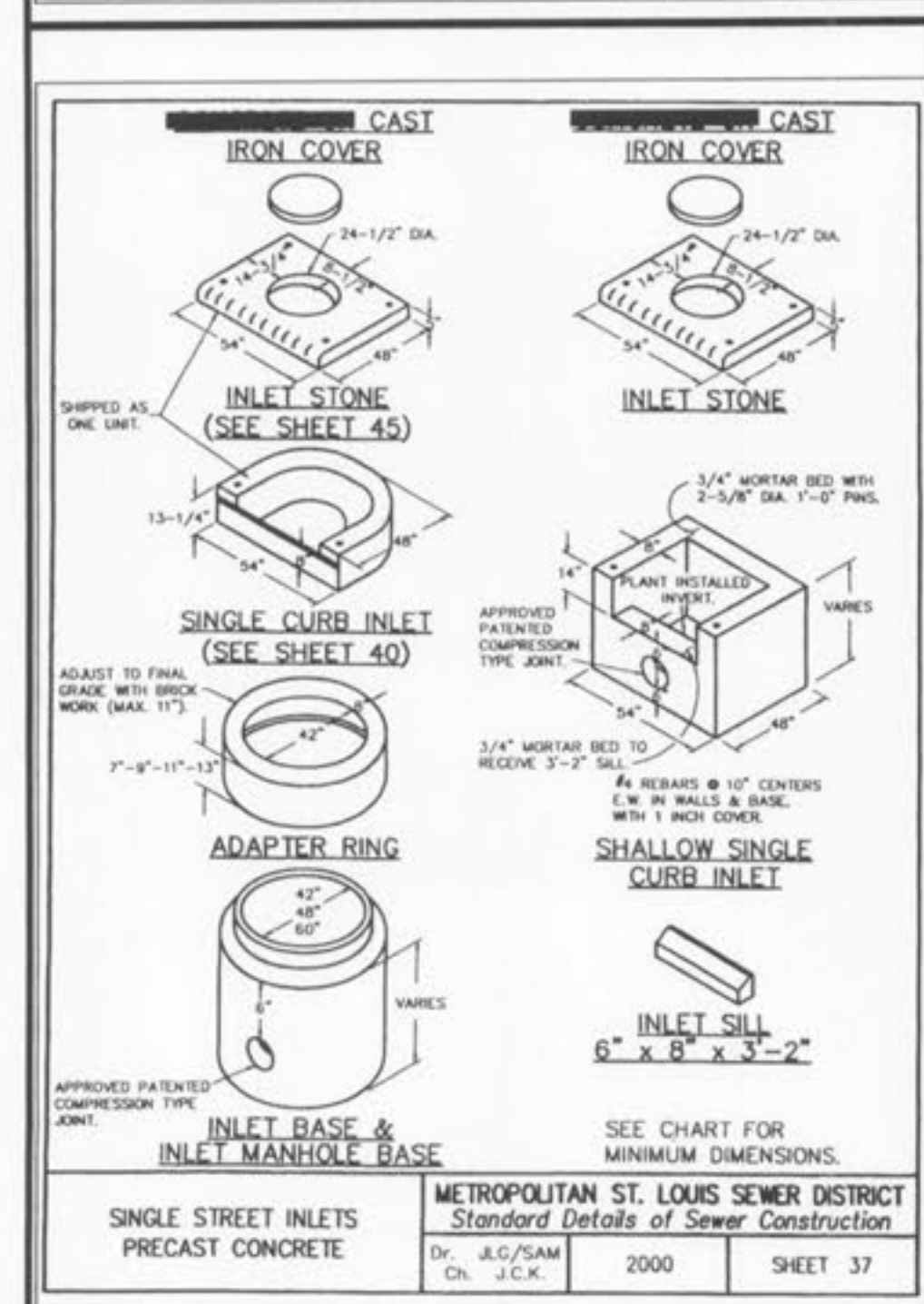
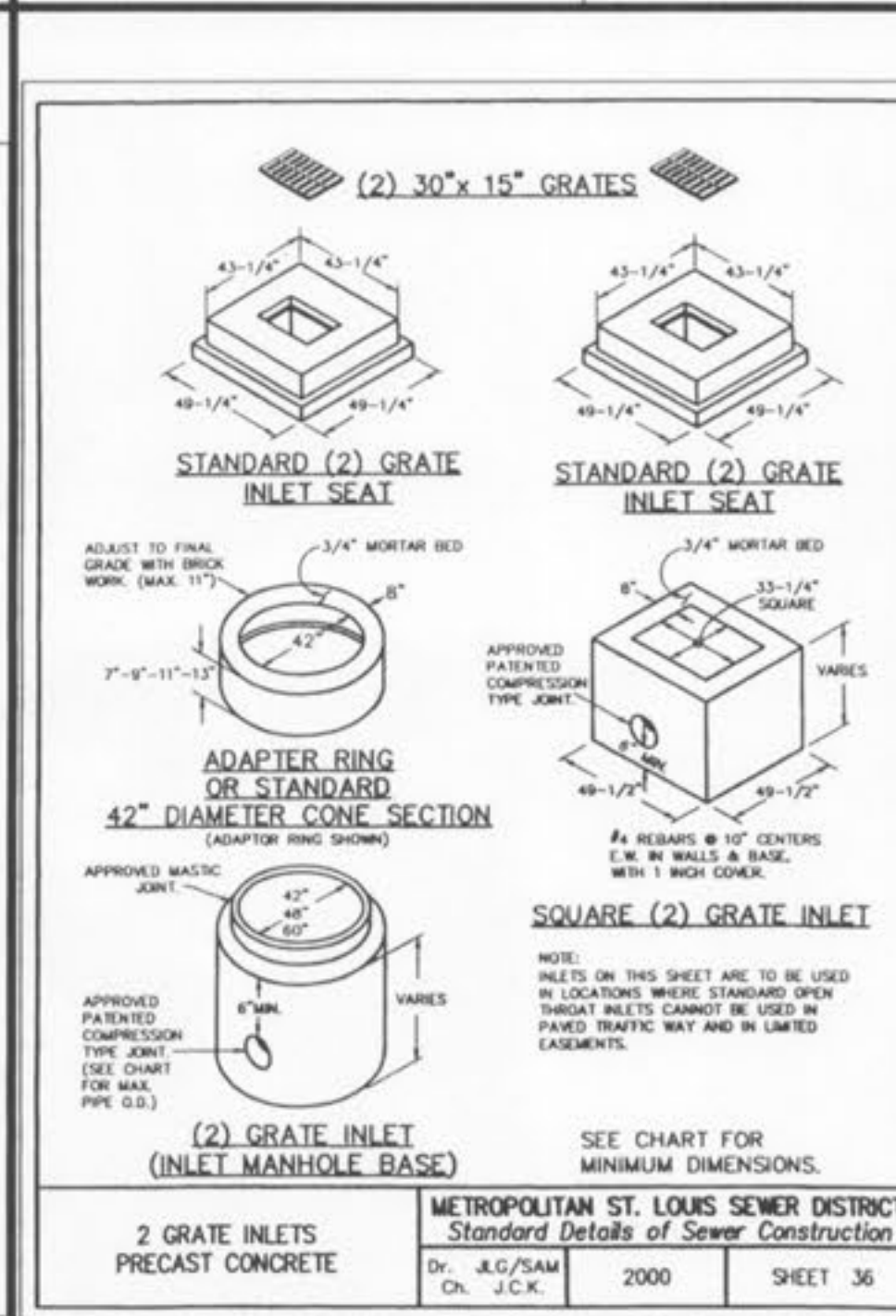
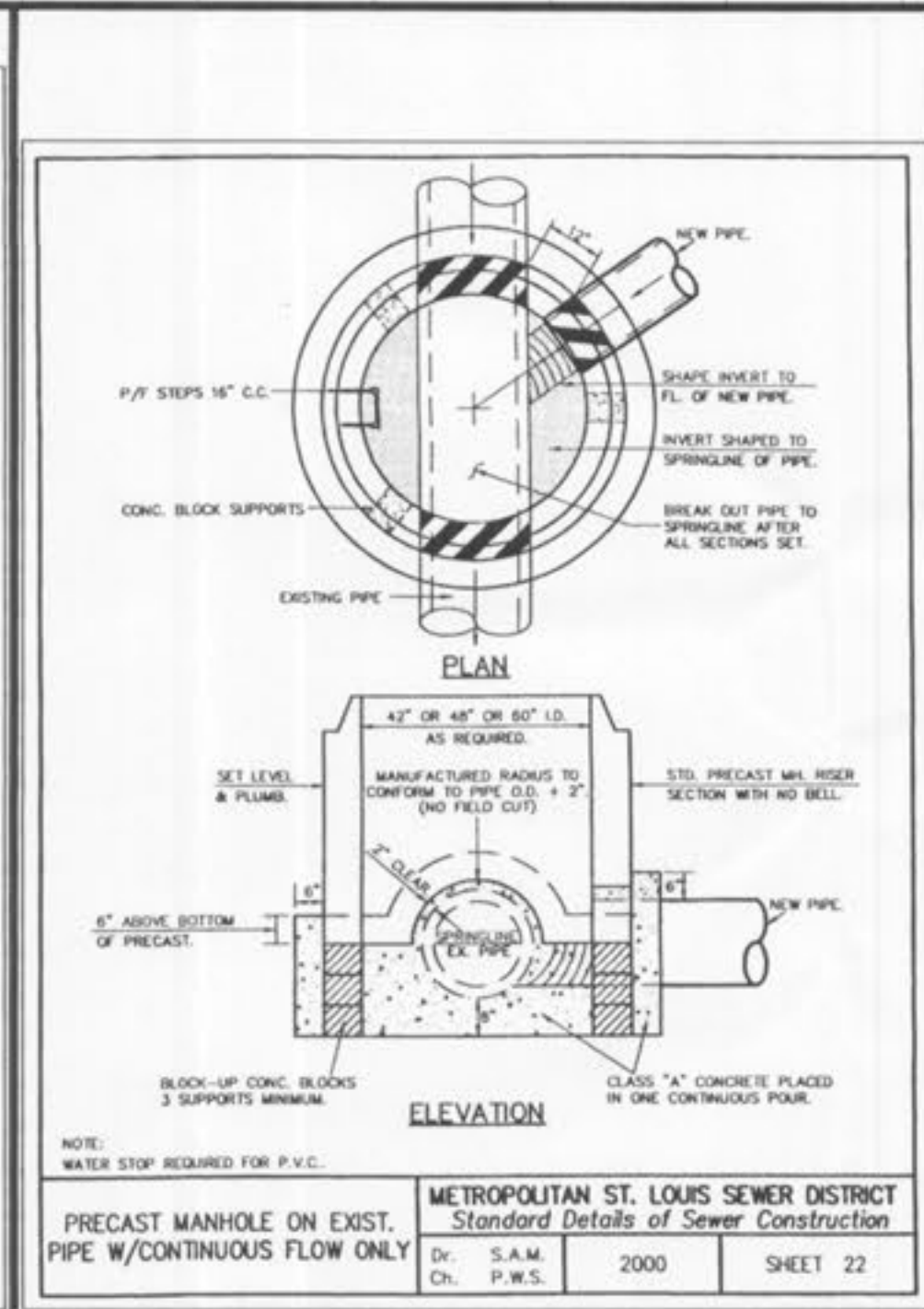
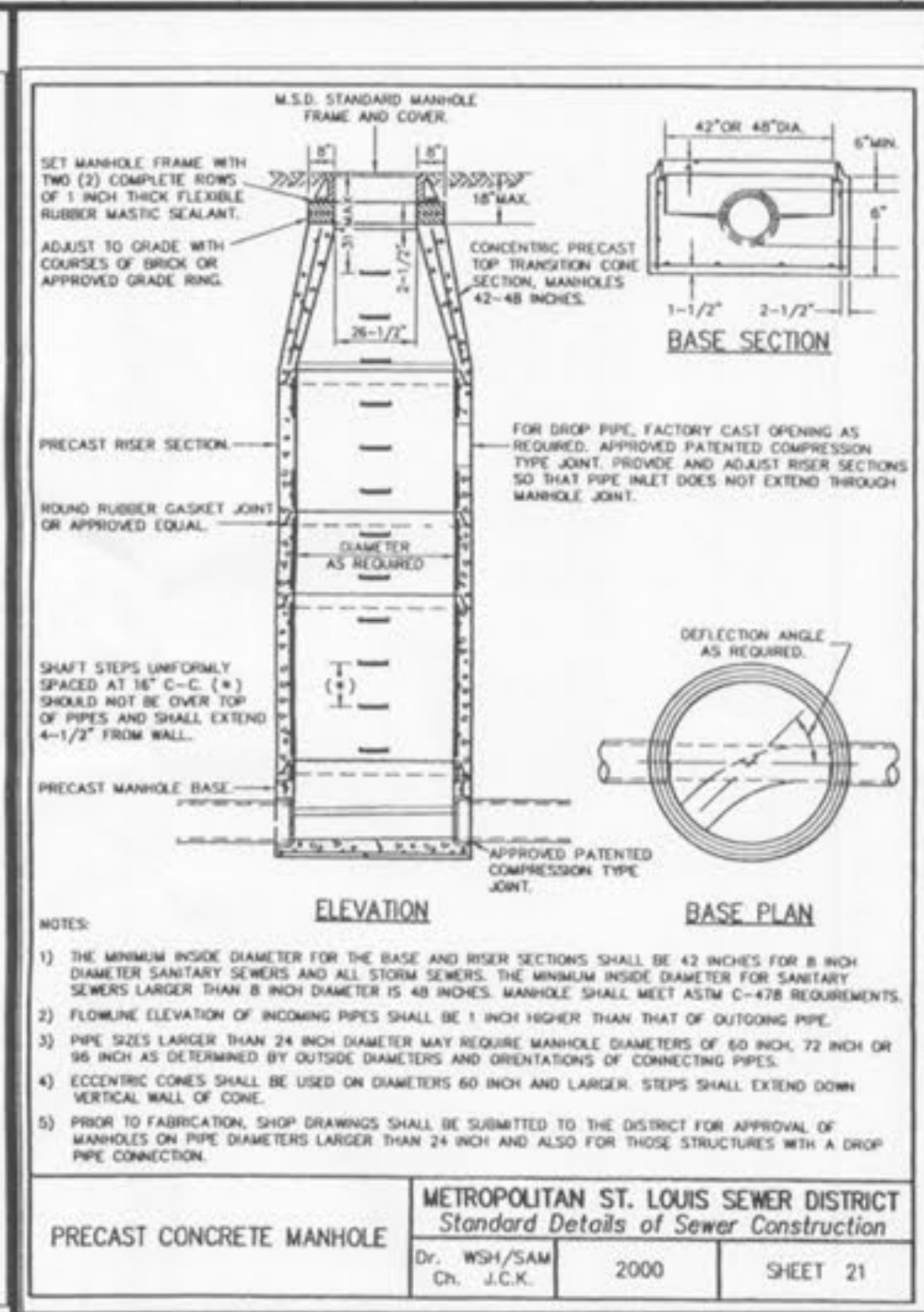
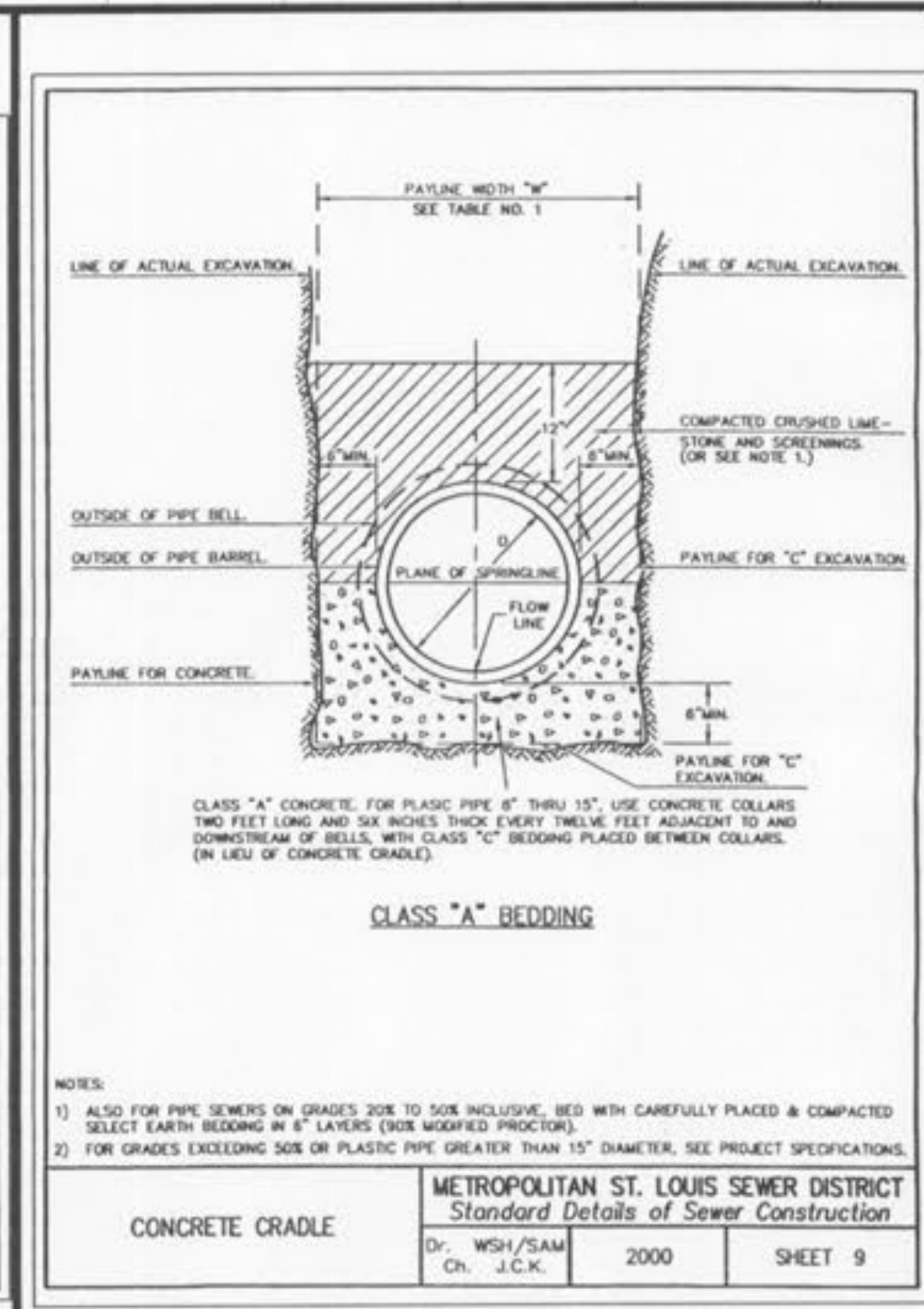
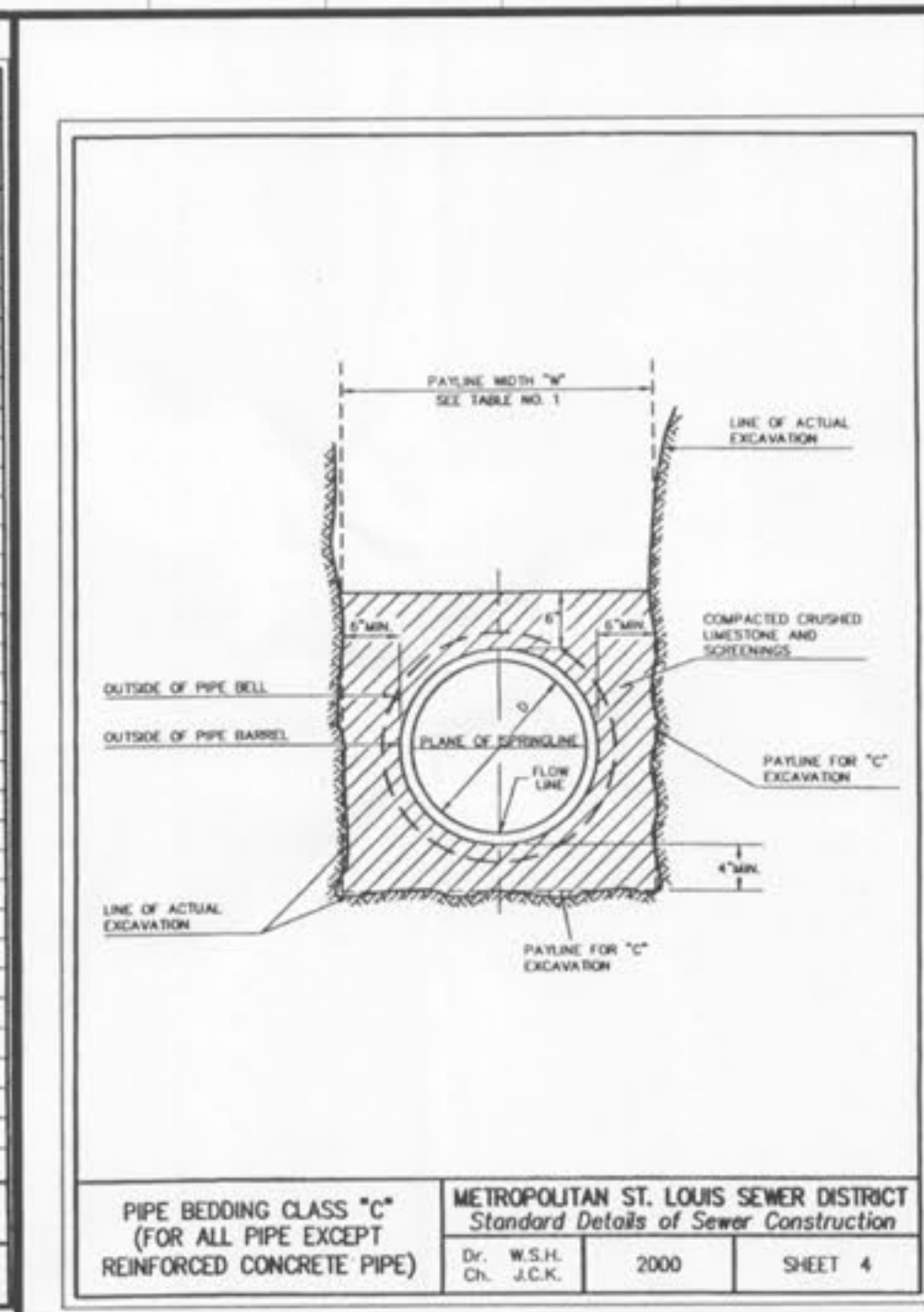


ROUND PIPE				HORIZONTAL ELLIPTICAL PIPE			
INSIDE DIAMETER OF PIPE (INCHES)	"W" PAYLINE WIDTH OF TRENCH (INCHES)	"T" PAYLINE WIDTH OF TRENCH (FEET)	PAY-VOLUMES (CU. FT. PER FT.)	INSIDE DIMENSIONS OF PIPE (INCHES)	"W" PAYLINE WIDTH OF TRENCH (INCHES)	"T" PAYLINE WIDTH OF TRENCH (FEET)	PAY-VOLUMES (CU. FT. PER FT.)
4	30	2.50	3.28				
6	30	2.50	3.59				
8	30	2.50	3.87				
10	30	2.50	4.09				
12	30	2.50	4.25				
15	36	3.00	5.55				
18	36	3.00	5.77	14 x 23	41	3.42	5.94
21	39	3.25	6.87				
24	42	3.50	7.39	19 x 30	49	4.08	7.68
27	45	3.75	8.18	22 x 34	53	4.42	8.61
30	49	4.08	9.30	24 x 38	58	4.83	9.70
33	53	4.42	10.53	27 x 42	62	5.17	10.71
36	56	4.67	11.43	29 x 45	66	5.50	11.72
39							
42							
48							
54							
60							
66							
72							
78							
84							
90							
96							
102							
108							
114							
120							
126							
132							
144							



PROJECT TITLE: **BETH ACADEMY**

BETH ACADEMY

STORM SEWER PROFILES

PROJECT NO.: 10-1176

CHECKED: R.S.M./J.R.S.

DRAWN: J.C.K.

DATE: APRIL 2010

DESIGN COMMENTS: 8/76/10, 3/10/10, 7/15/10, 1/10/11

ENGINEERING DEPT. COMMENTS: 1/10/11

BRISIS: 1/10/11

MUSLER ENGINEERING COMPANY

CIVIL ENGINEERING - PLANNING - LAND SURVEYING

32 Portwest Court, St. Charles, Missouri 63303

Telephone: (636) 916-0444

Fax: (636) 916-3444

CERTIFICATE OF AUTHORITY: ENGINEERING 0-1200-0, LAND SURVEYING 0-284-0

DATE: APRIL 2010

PROJECT NO.: 10-1176

SHEET NO.: 6

DISCLAIMER OF RESPONSIBILITY: I hereby specify that the documents intended to be authorized by my seal are limited to the sheet, and I hereby disclaim any responsibility for any other drawings, specifications, estimates, reports or other documents or instruments relating to or intended to be used for any part or parts of the architectural or engineering project or survey.

JEFFREY R. SMITH, P.E.

MO. P.E. # E-2001004672

PREPARED FOR: **BETH HOLDINGS, LLC**

MR. DAVID BETH

322 COUNTRY MEADOWS DRIVE

ST. CHARLES, MISSOURI 63303

TELEPHONE: 314-614-2207

FAX: 314-553-5078

E-mail: dbeth01@bcgblol.net

P & Z No. 00-2717.02 - 4/1/10

City No.

Page No. **6**