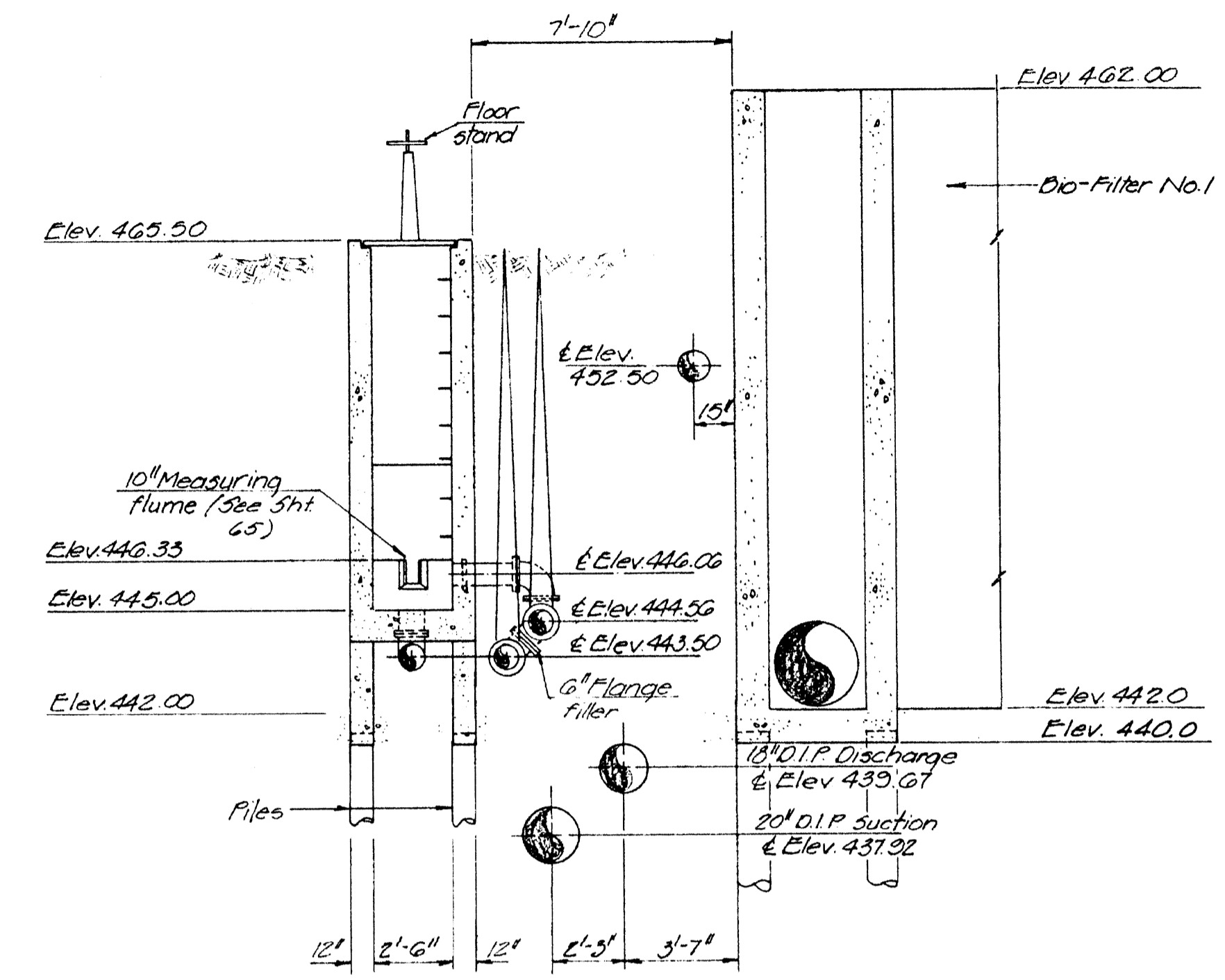
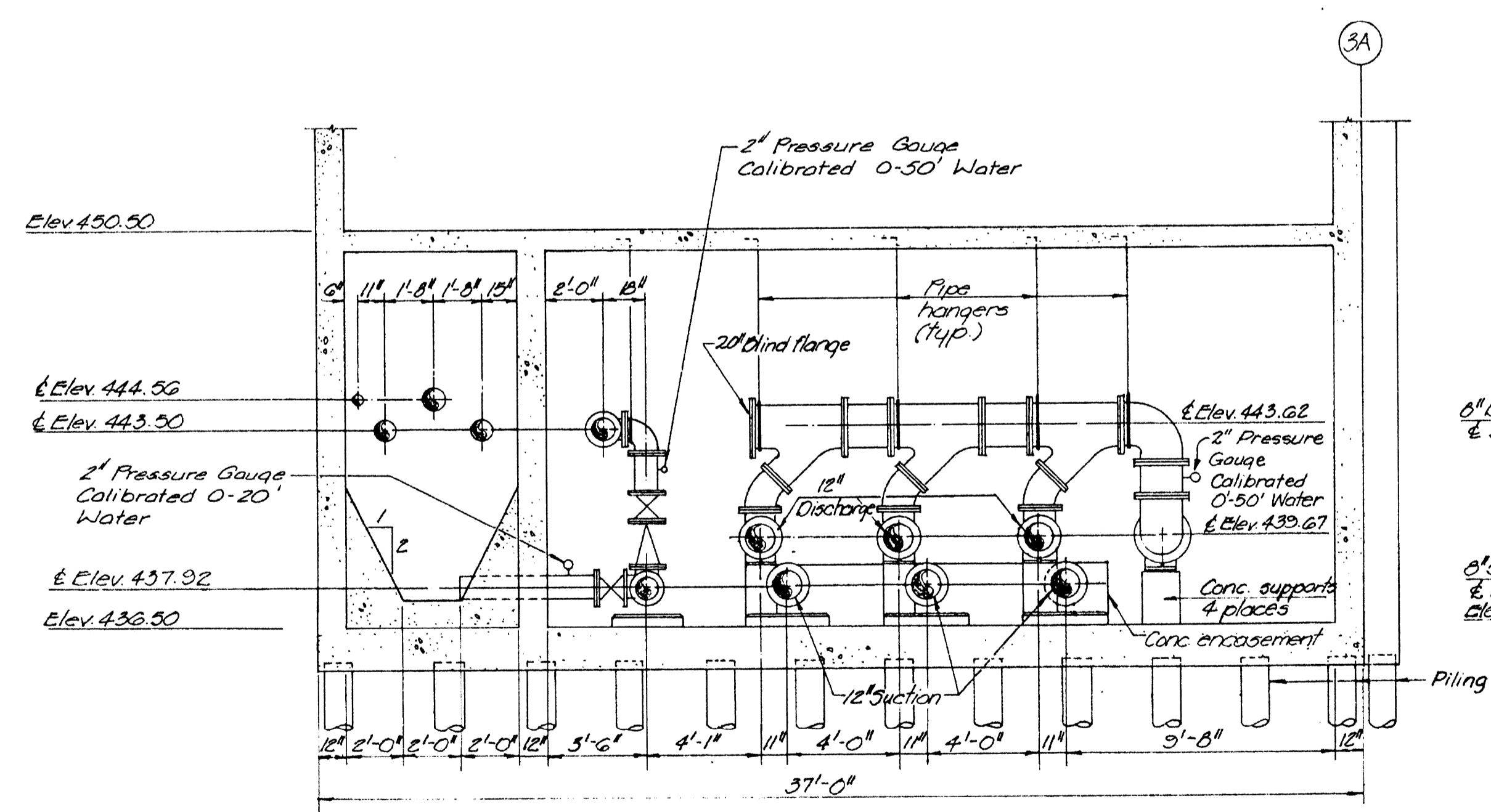


**SECTION 1**  
Scale: 1/4"=1'-0"  
(Re: sht 20)

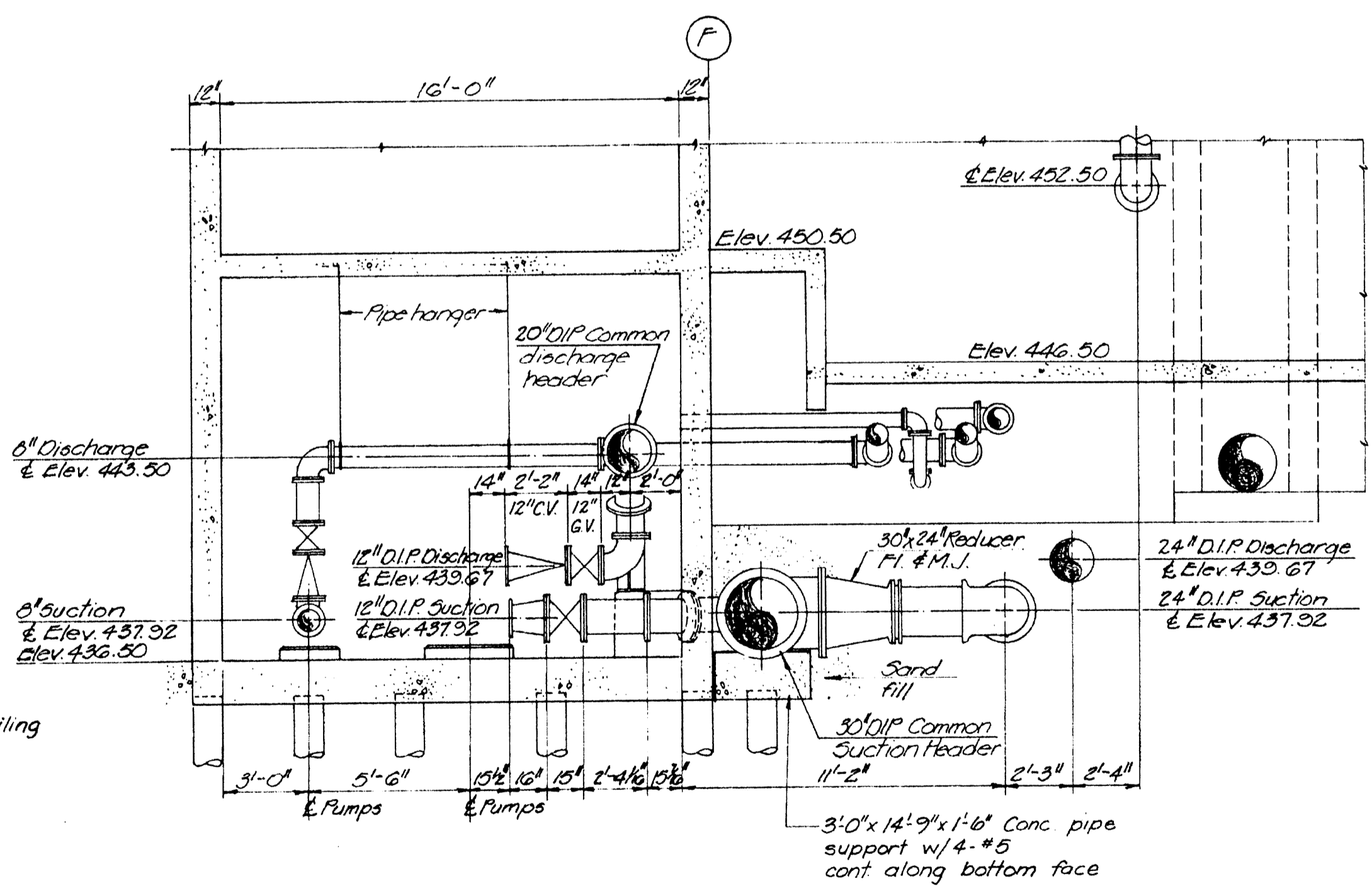


**SECTION 4**  
Scale: 1/4"=1'-0"  
(Re: sht 20)



**SECTION 2**  
Scale: 1/4"=1'-0"  
(Re: sht 20)

NOTE: Pressure gauges shall have bronze bourdon tubes with brass movement in a steel case. Gauges shall be installed with a valve between the line and gauge.



**SECTION 3**  
Scale: 1/4"=1'-0"  
(Re: sht 20)

EPA PROJECT NO. C291090 Rev. 2-82 MKK

**GBA**  
GEORGE BUTLER ASSOCIATES  
CONSULTING ENGINEERS / ARCHITECTS  
LANDSCAPE ARCHITECTS / PLANNERS

OFFICE:  
SUITE 305 A FAIRWAY OFFICE CENTER  
4210 JOHNSON DRIVE / SHAWNEE MISSION / KANSAS 66205  
1100 CITY CENTER SQUARE  
1100 MAIN / KANSAS CITY / MISSOURI 64105  
SUITE 134 LAKEVIEW PLAZA B  
6700 CORPORATE DRIVE / KANSAS CITY / MISSOURI 64120

WASTEWATER TREATMENT  
PLANT EXPANSION

**BIO-FILTER COMPLEX  
PROCESS PIPING SECTIONS**  
CITY OF FALLON, MISSOURI

JOB NO 79-2065  
DATE July 30, 1981  
SCALE As shown  
SHEET NO 21 OF 88

DESIGNED BY W.C. DRAWN BY C. Ryo CHECKED BY W.A.C.