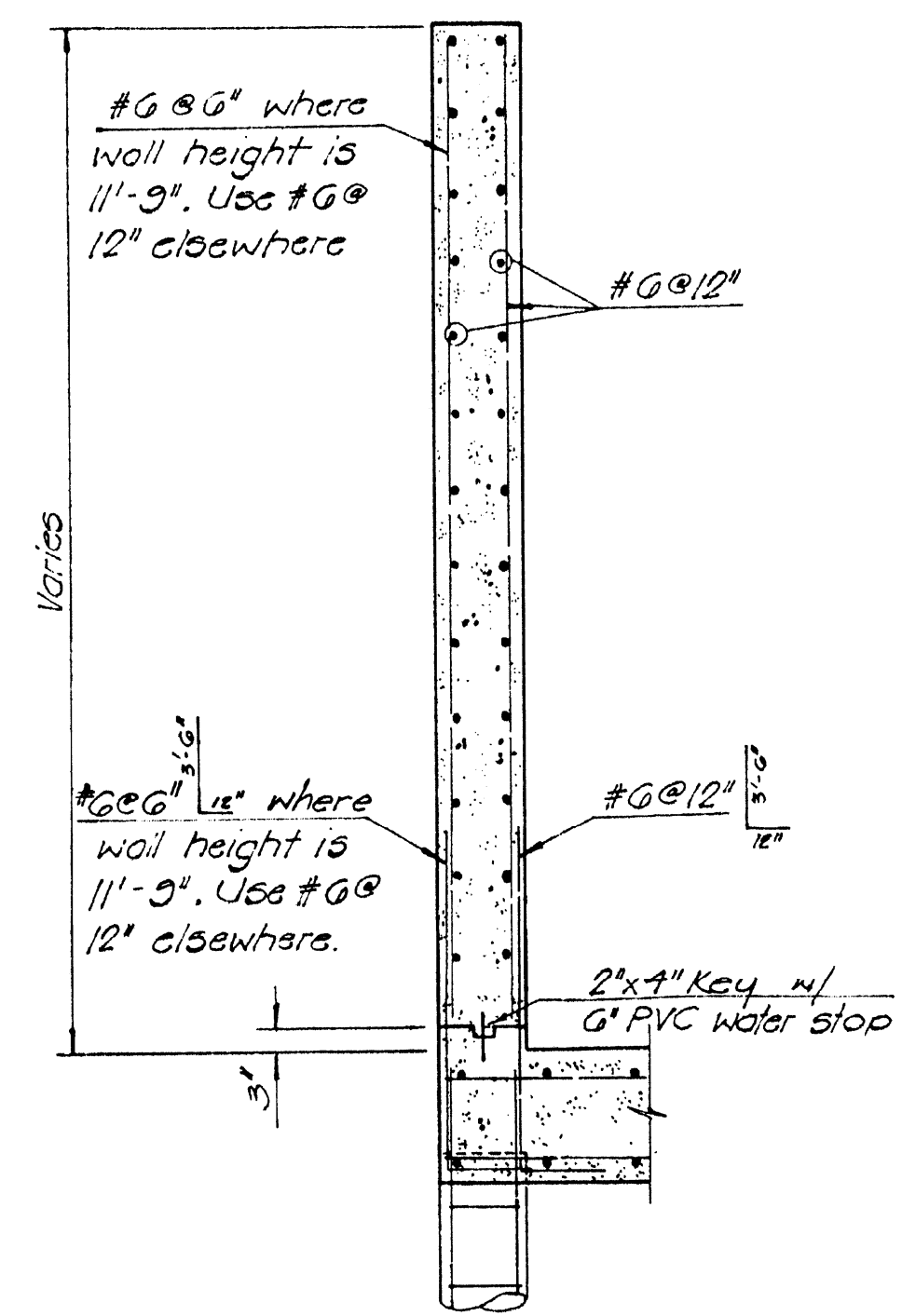
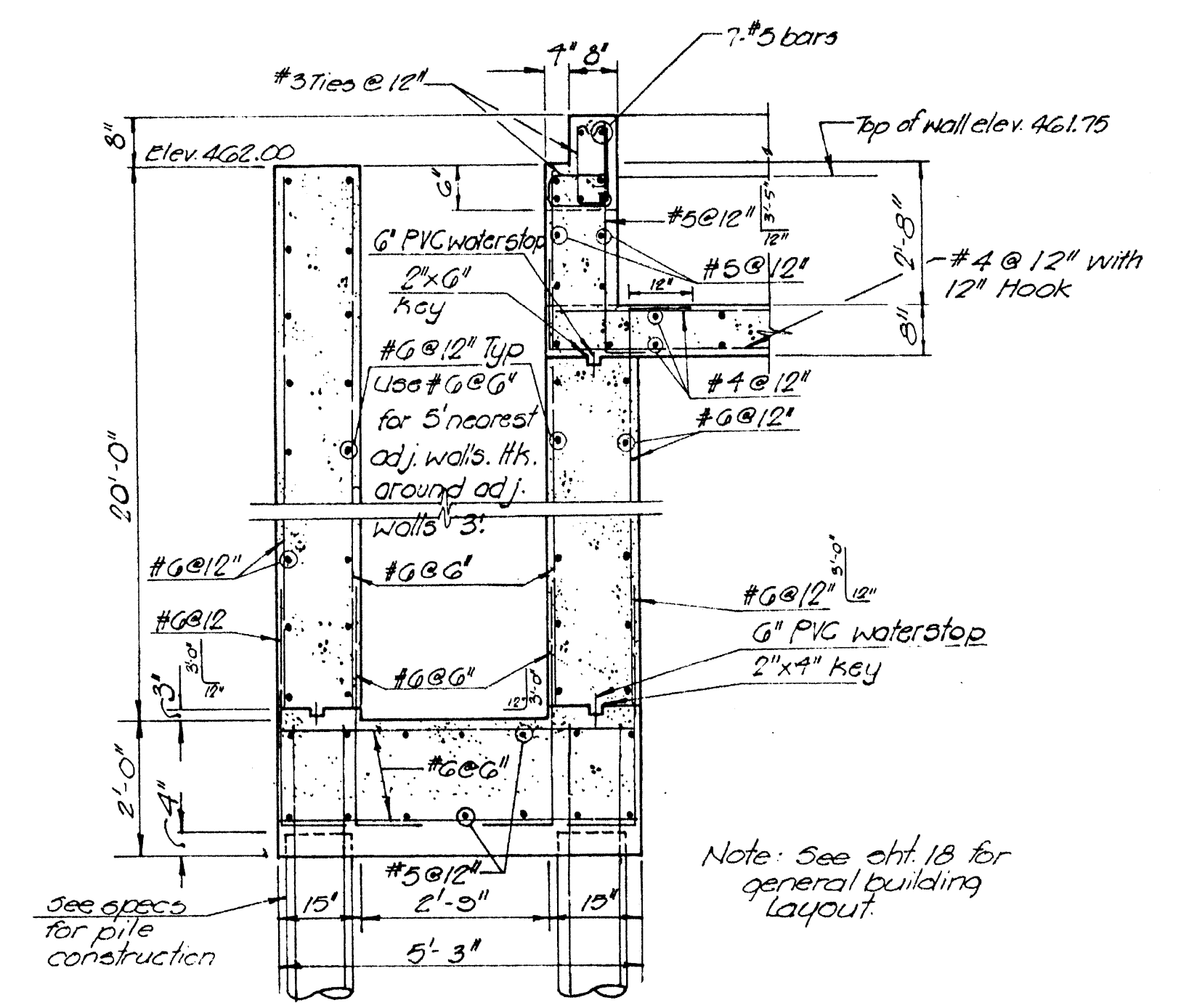


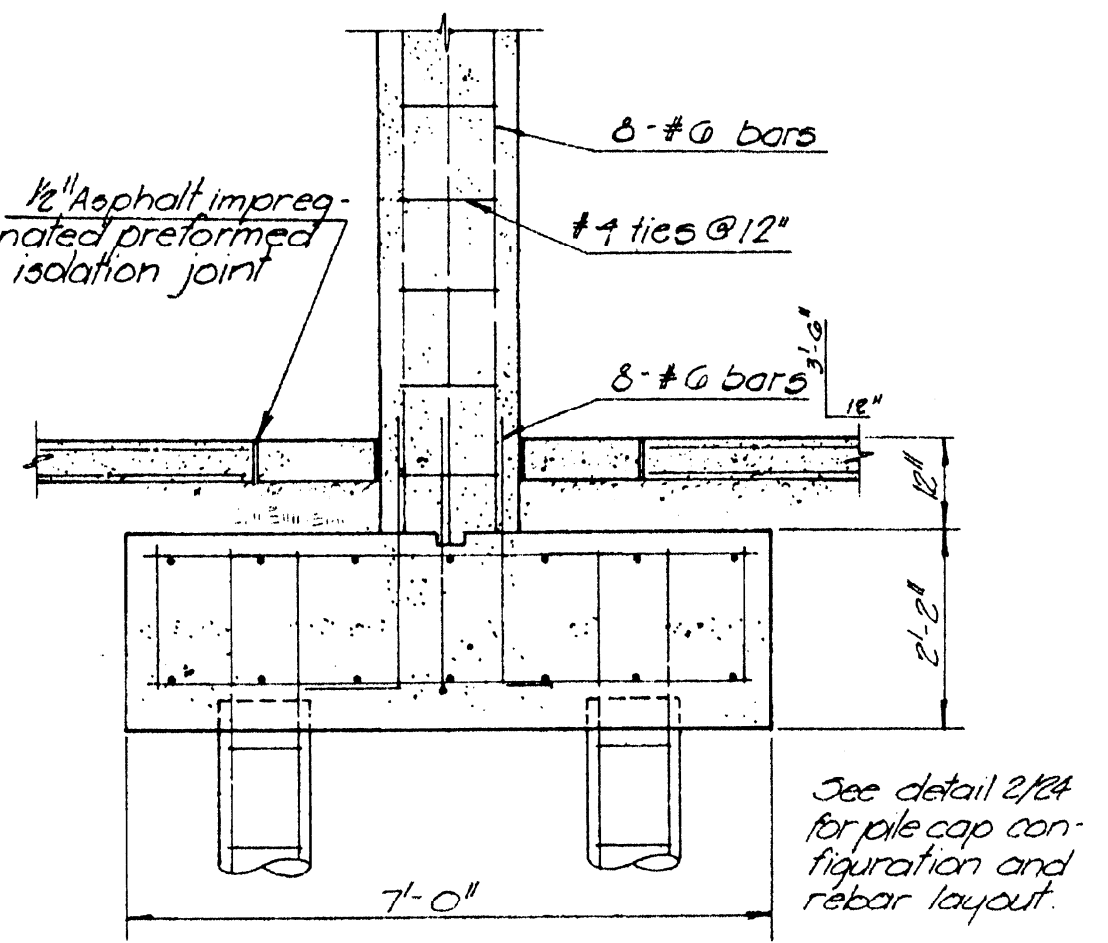
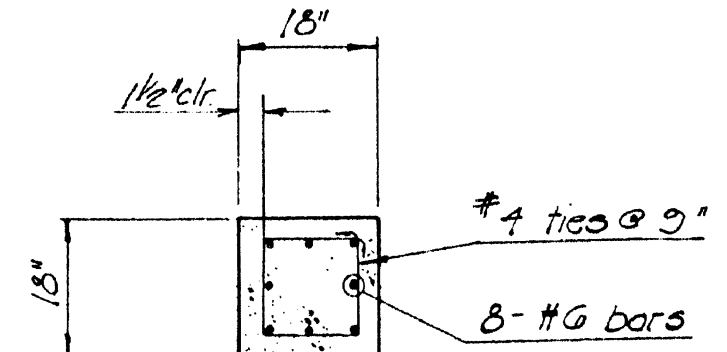
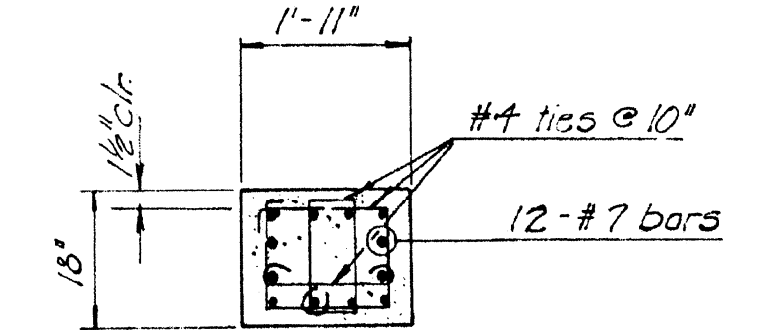
INTAKE STRUCTURE REINFORCING PATTERN (1/26)
 Scale: 3/8" = 1'-0"
 (Re. sht. 24)



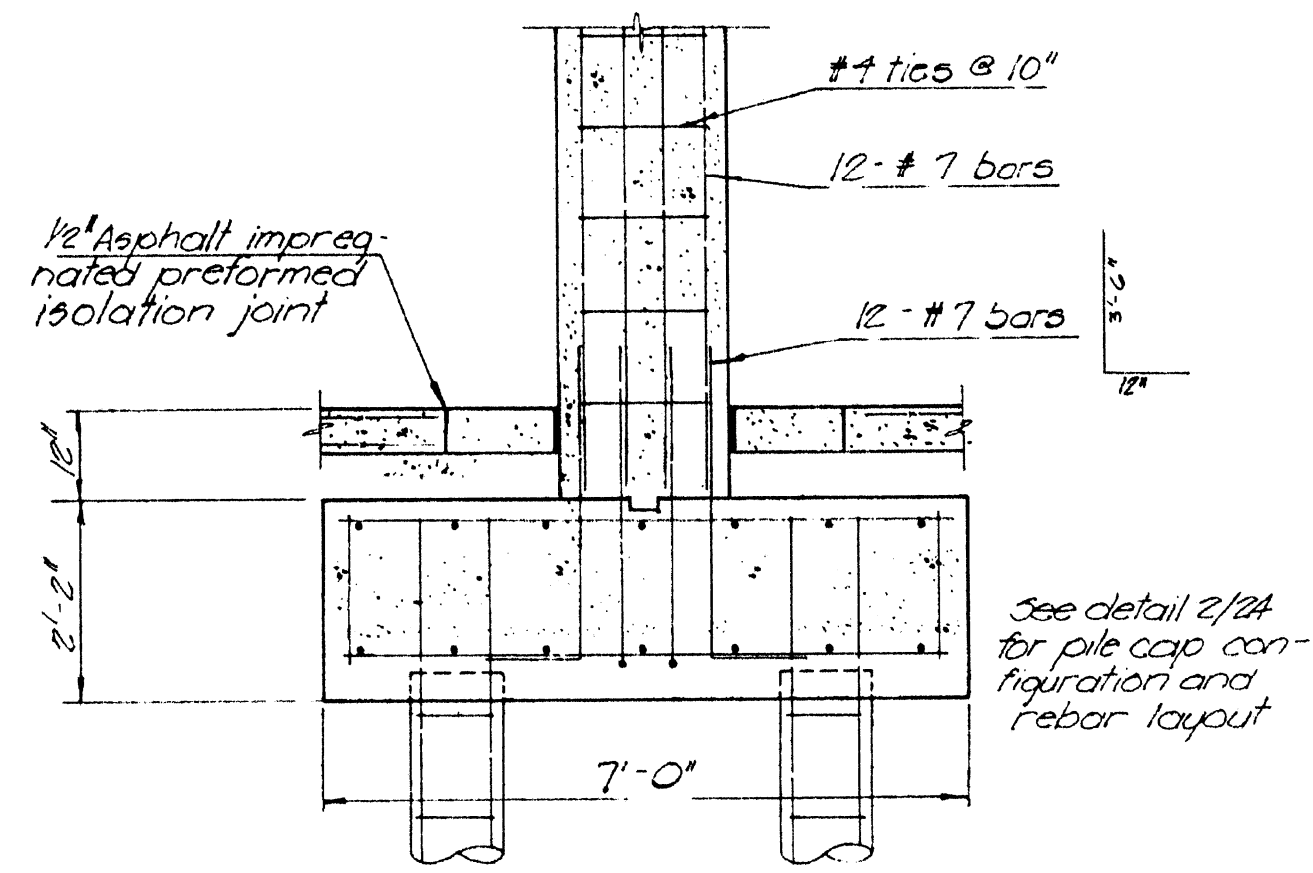
SECTION 2 (2/26)
 Scale: 1/2" = 1'-0"
 (Re. sht. 24)



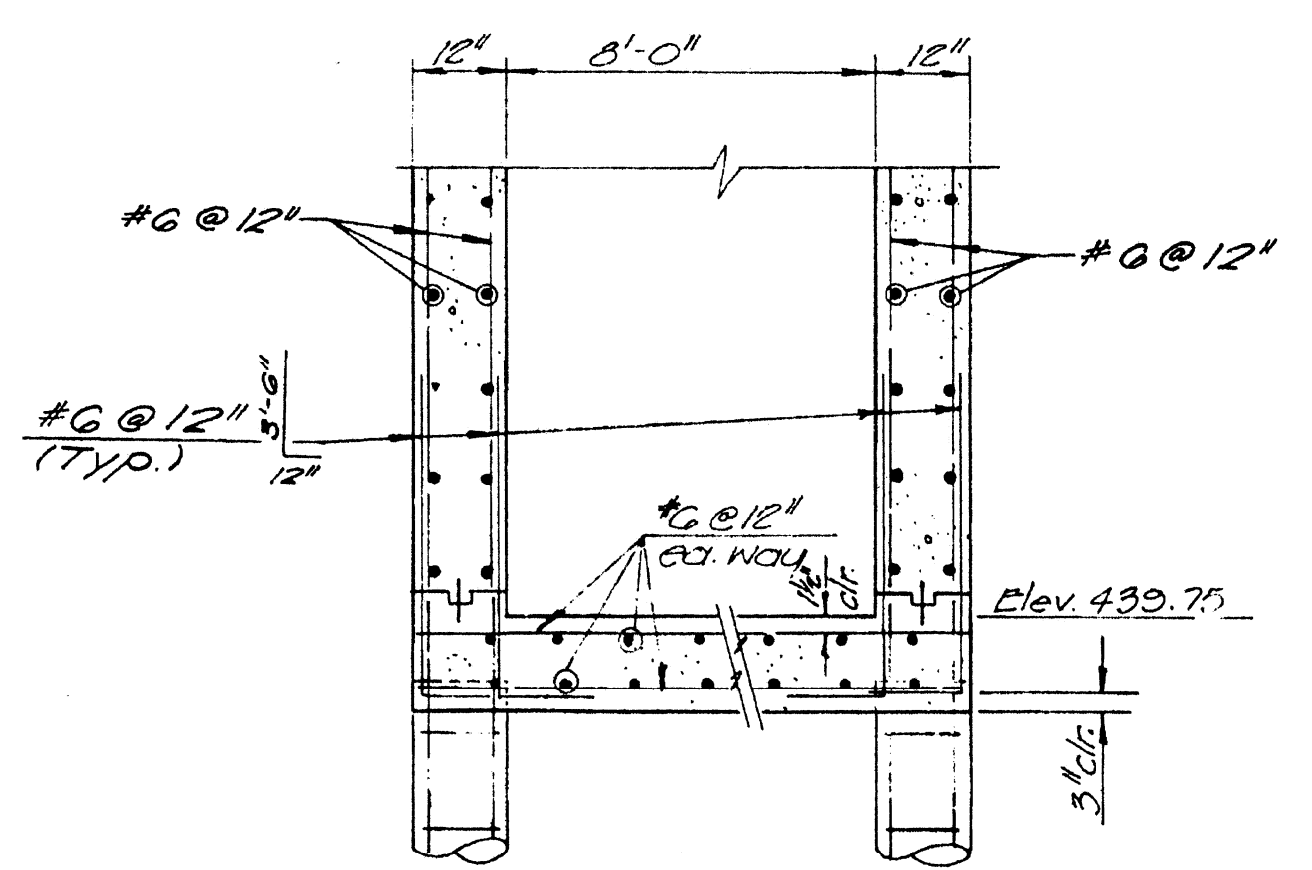
SECTION 3 (3/26)
 Scale: 1/4" = 1'-0"
 (Re. sht. 23 & 24)



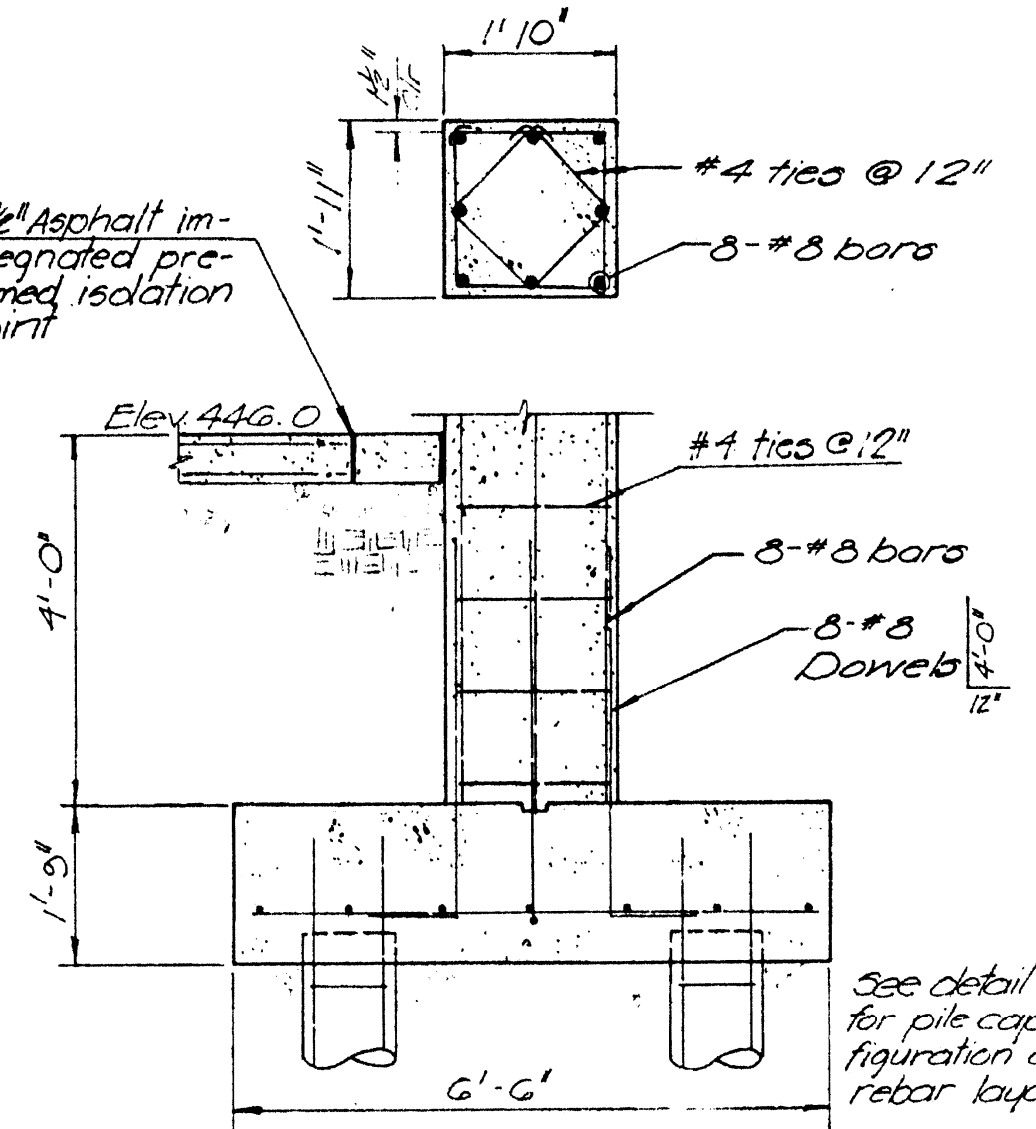
SECTION 6 (6/26)
 Scale: 1/2" = 1'-0"
 (Re. sht. 32)



SECTION 7 (7/26)
 Scale: 1/2" = 1'-0"
 (Re. sht. 32)



SECTION 4 (4/26)
 Scale: 1/2" = 1'-0"
 (Re. sht. 24)



SECTION 5 (5/26)
 Scale: 1/4" = 1'-0"
 (Re. sht. 32)

EPA PROJECT NO. C291090 Revised 3/2/82 C.Ray

| | |
|--|---|
| GBA GEORGE BUTLER ASSOCIATES CONSULTING ENGINEERS ARCHITECTS LANDSCAPE ARCHITECTS PLANNERS | OFFICES: 5075 258th FARMWAY OFFICE CENTER 4210 JOHNSON DRIVE - SHAWNEE MISSION, KANSAS 66205 1100 CITY CENTER SQUARE 1100 MAIN - KANSAS CITY, MISSOURI 64105 5075 134th LANSERB PRKAZA II 6700 CORPORATE DRIVE, KANSAS CITY, MISSOURI 64120 |
| | WASTEWATER TREATMENT PLANT EXPANSION |
| | BIO-FILTER COMPLEX STRUCTURAL SECTIONS |
| | CITY OF O'FALLOON, MISSOURI |
| DESIGNED BY J.L.S. DRAWN BY W.Y. CHECKED BY M.L.S. | JOB NO 75-2045 DATE July 30, 1981 SCALE As Noted SHEET NO 26 of 88 |