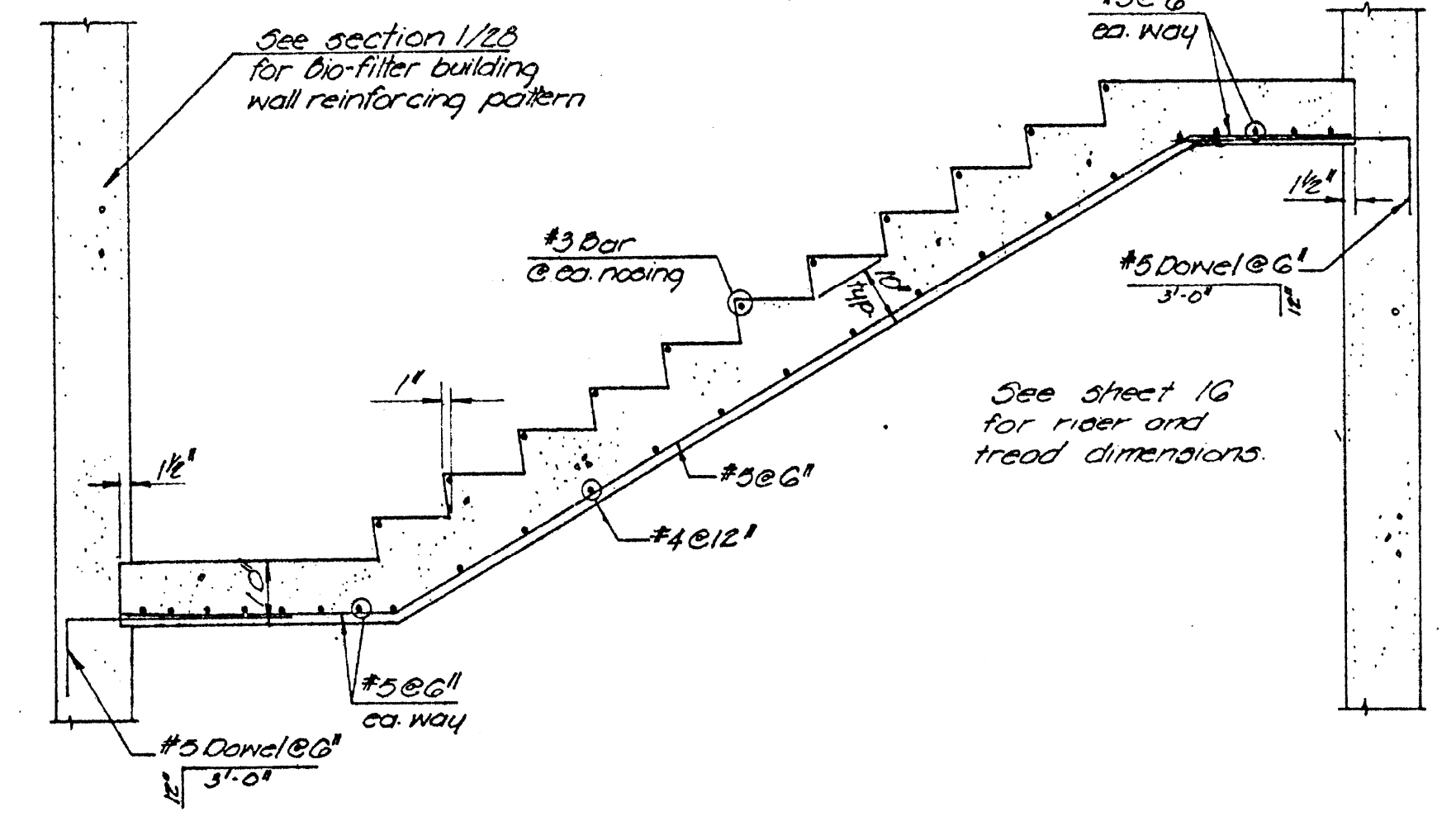


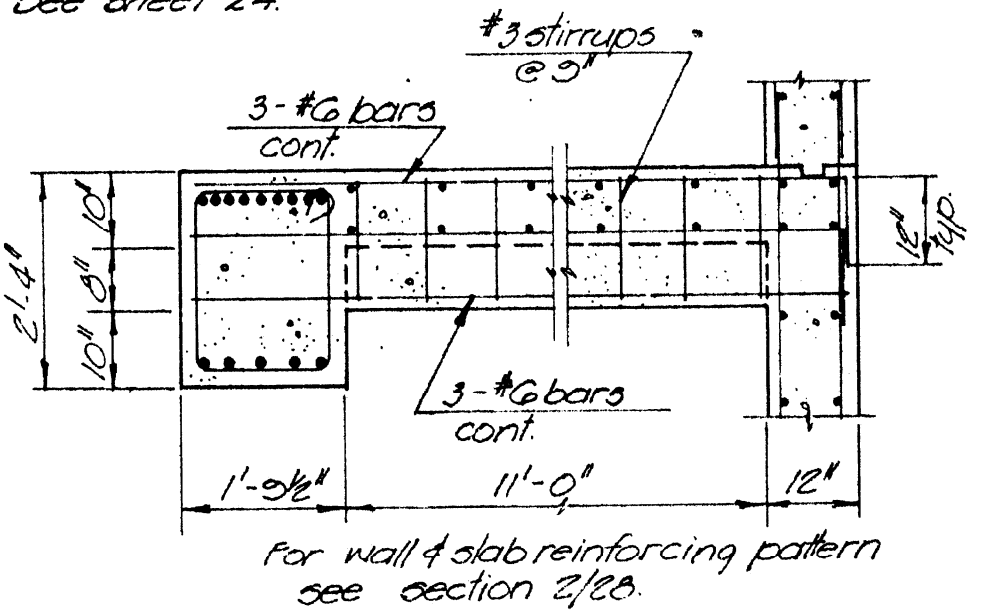
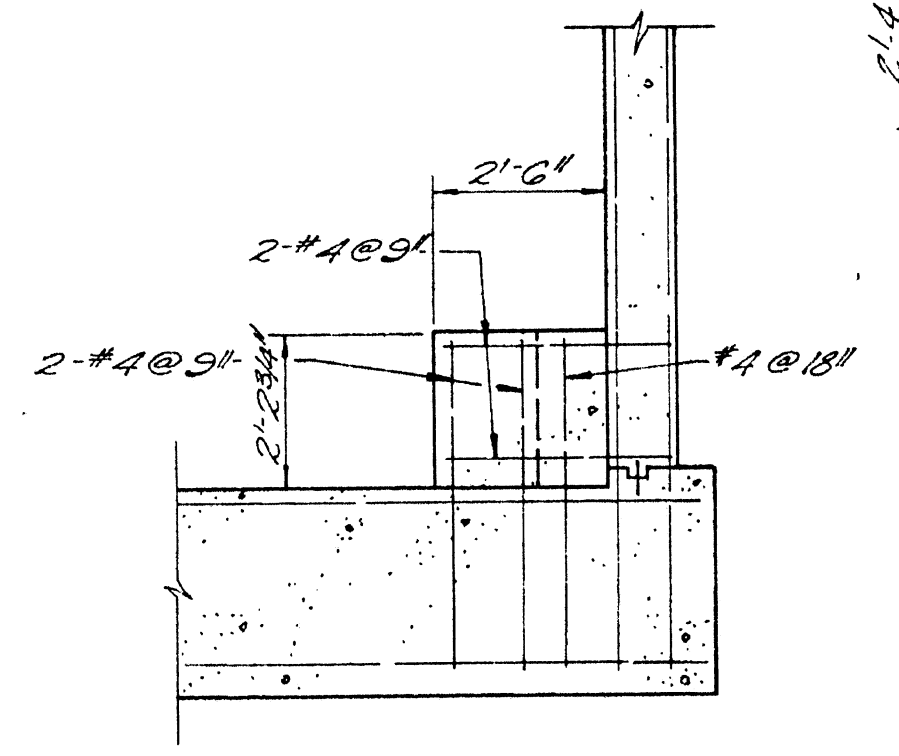
**SECTION 1**  
Scale: 3/8" = 1'-0"  
(Re. sh. 20 & 27)

For piling layout and const. See sheet 24.

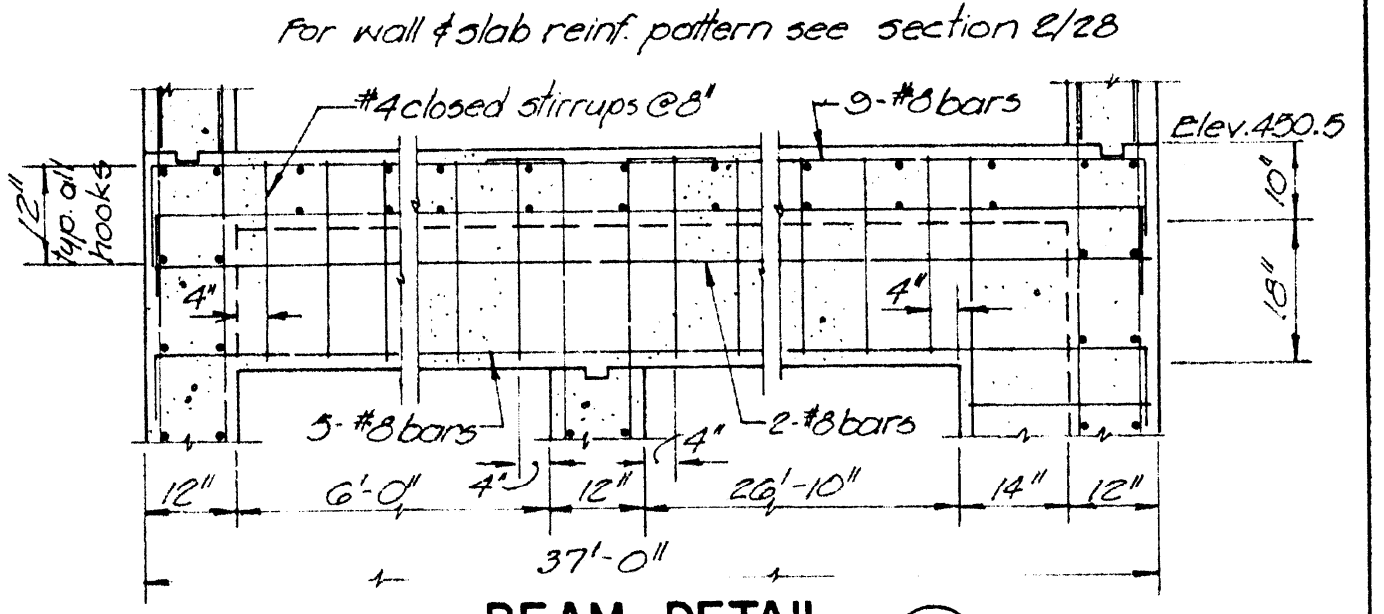
**SECTION 2**  
Scale: 3/8" = 1'-0"  
(Re. sh. 20 & 27)



**CONCRETE ENCASEMENT & PIPE SUPPORT**  
Scale: 3/8" = 1'-0"



**BEAM DETAIL 4**  
Scale: 1/2" = 1'-0"



**BEAM DETAIL 5**  
Scale: 1/2" = 1'-0" (Re. 1/28)

**TYPICAL BIO-FILTER BUILDING STAIRS**  
Scale: 1/2" = 1'-0"

EPA PROJECT NO. C291090 Revised 3/9/82 C. Rapp

**GBA**  
GEORGE BUTLER ASSOCIATES  
CONSULTING ENGINEERS / ARCHITECTS  
LANDSCAPE ARCHITECTS / PLANNERS

OFFICES:  
SUITE 300 & FAIRWAY OFFICE CENTER  
4210 JOHNSON DRIVE / SHAWNEE MISSION / KANSAS 66205  
1100 CITY CENTER SQUARE  
1100 MAIN / KANSAS CITY / MISSOURI 64105  
SUITE 134 LAKESIDE PLAZA  
6700 CORPORATE DRIVE / KANSAS CITY / MISSOURI 64120

**WASTEWATER TREATMENT PLANT EXPANSION**  
**BIO-FILTER BUILDING**  
**STRUCTURAL SECTIONS**  
CITY OF O'FALLON, MISSOURI

DESIGNED BY J.L.S. DRAWN BY W.Y. CHECKED BY M.L.S.

JOB NO. 75-2065  
DATE July 30, 1981  
SCALE As Noted  
SHEET NO. 28 of 88