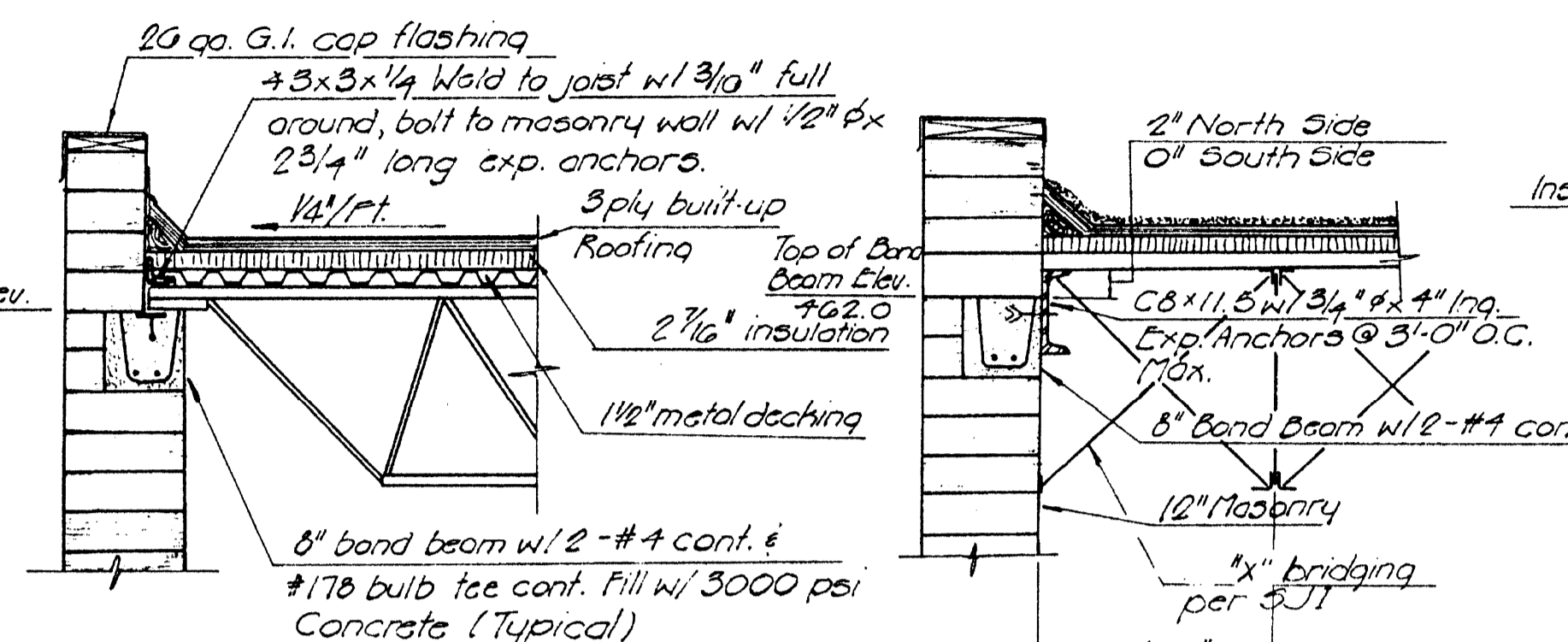
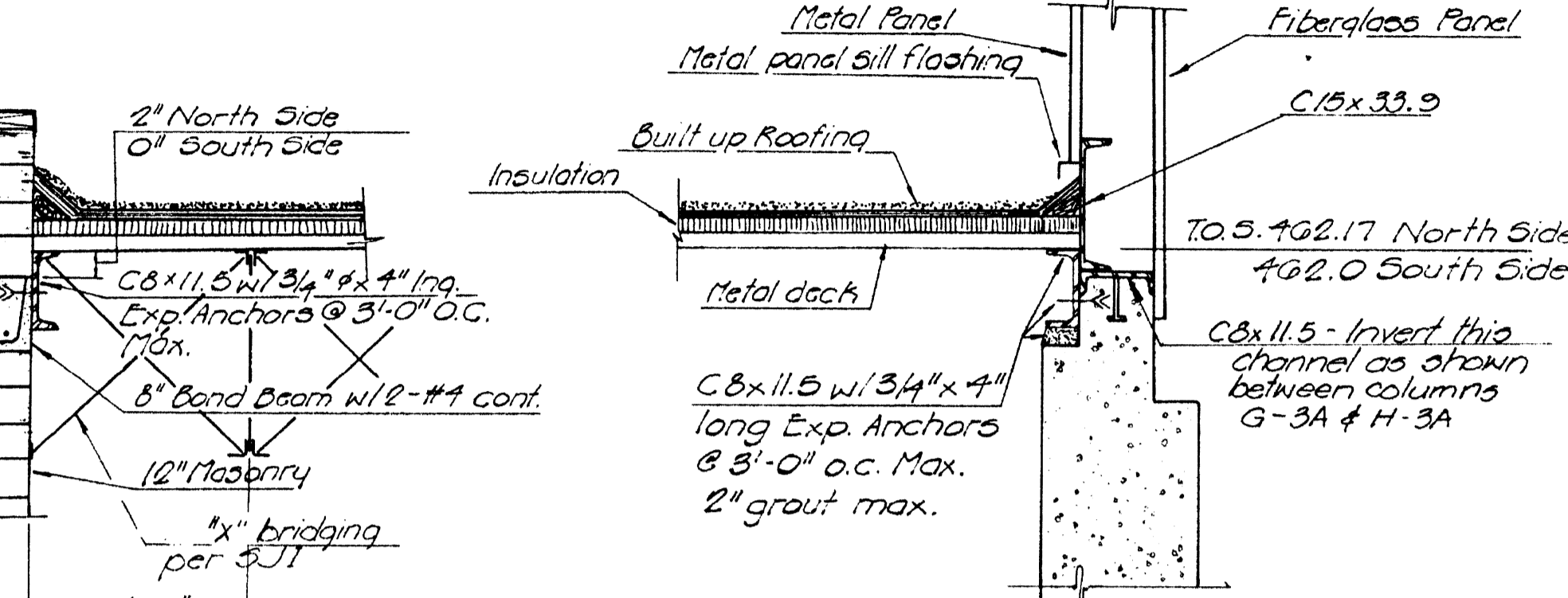


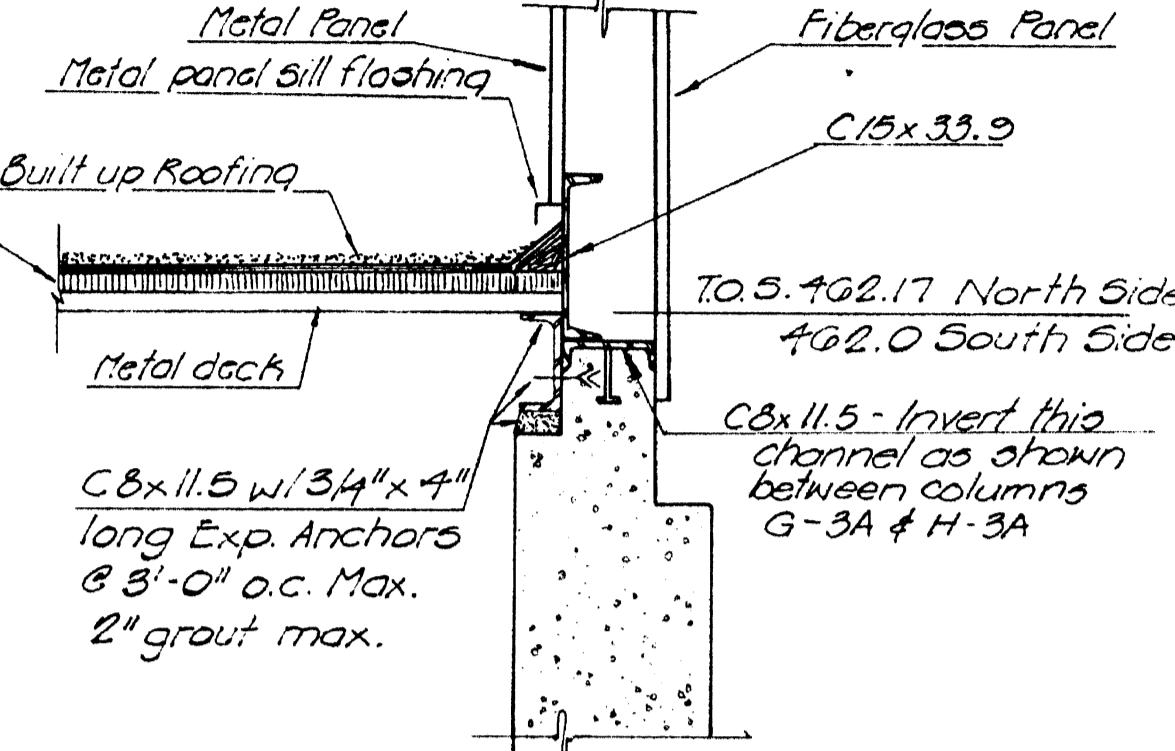
SECTION 1
Scale: 3/4"=1'-0"
(Re. sht. 27)



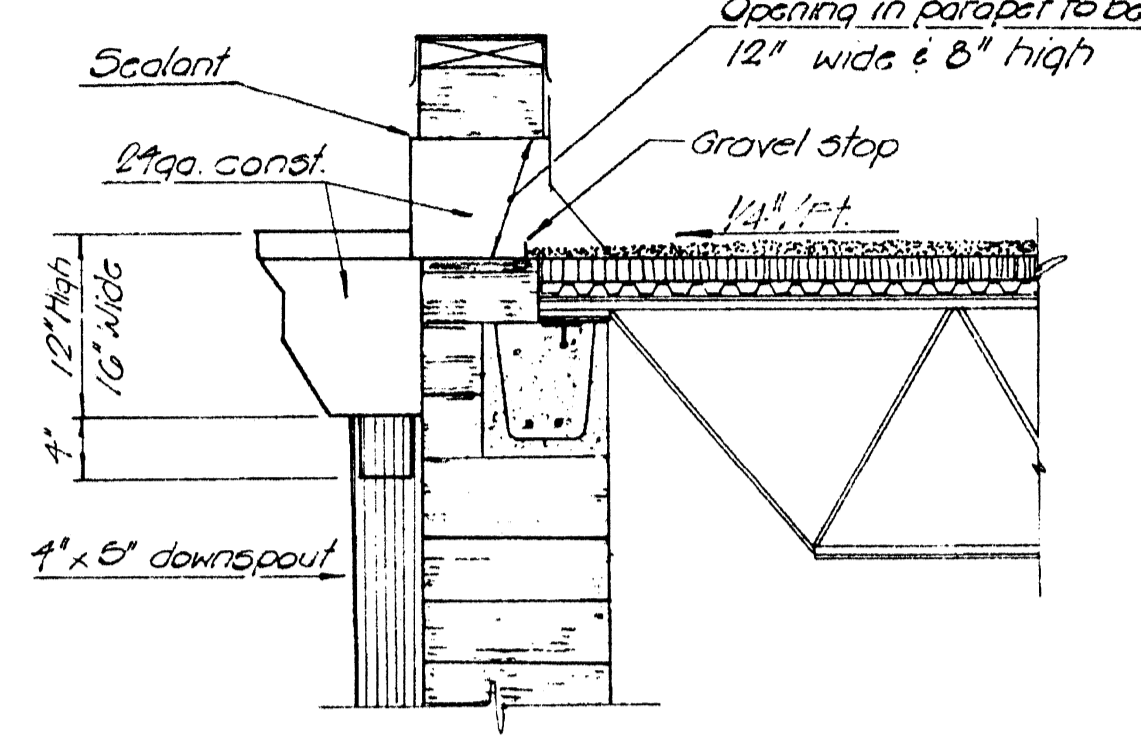
SECTION 2
Scale: 3/4"=1'-0"
(Re. sht. 27)



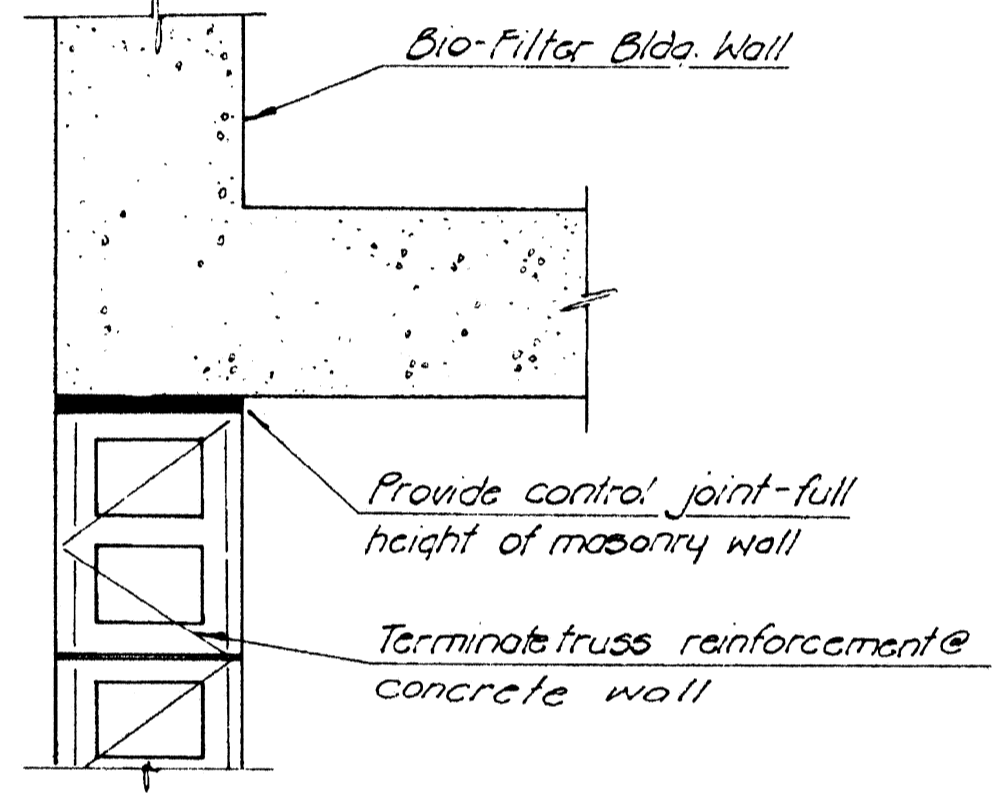
SECTION 3
Scale: 3/4"=1'-0"
(Re. sht. 27)



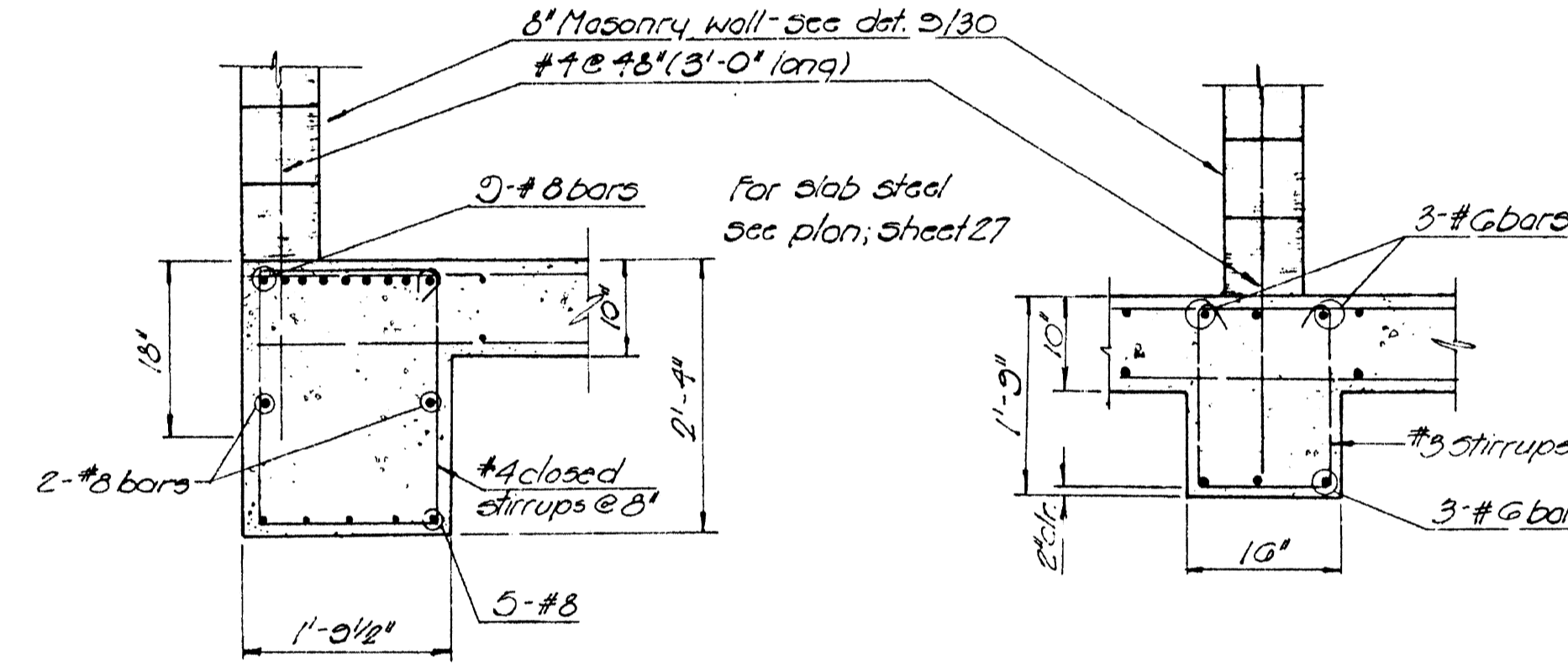
SECTION 4
Scale: 3/4"=1'-0"
(Re. sht. 27)



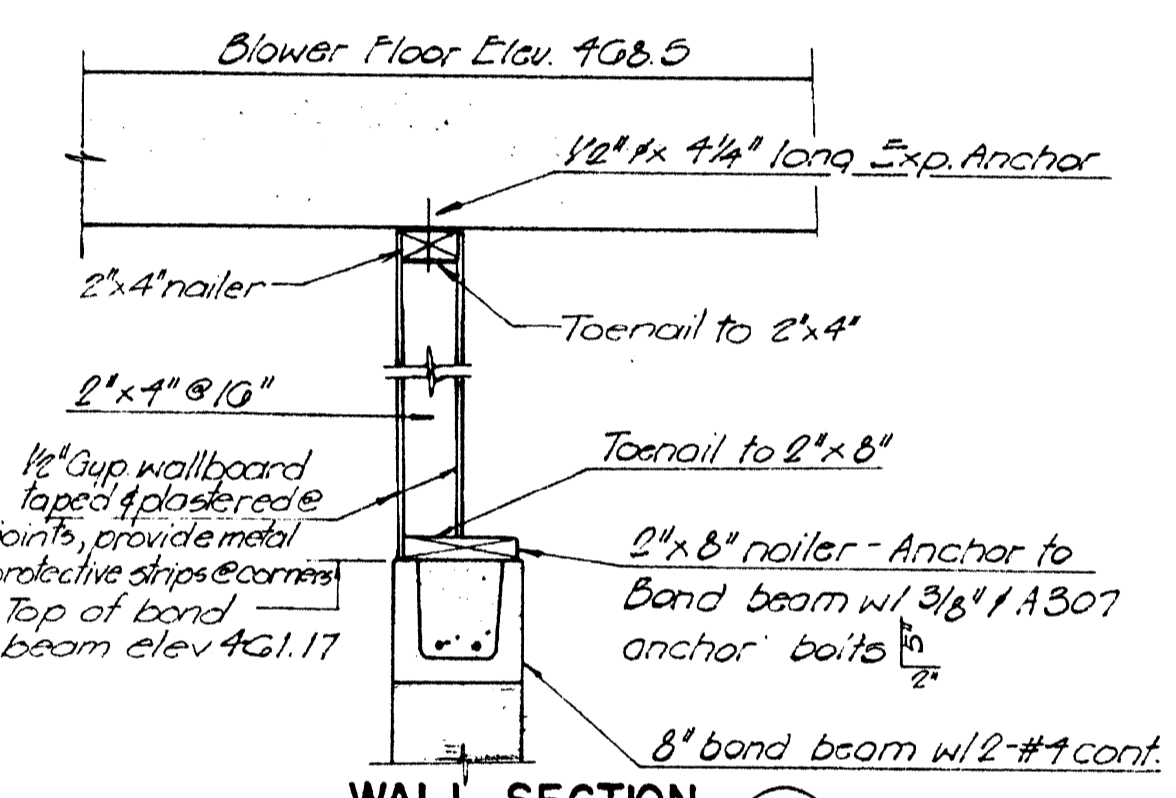
SCUPPER DETAIL 5
Scale: 1\"/>



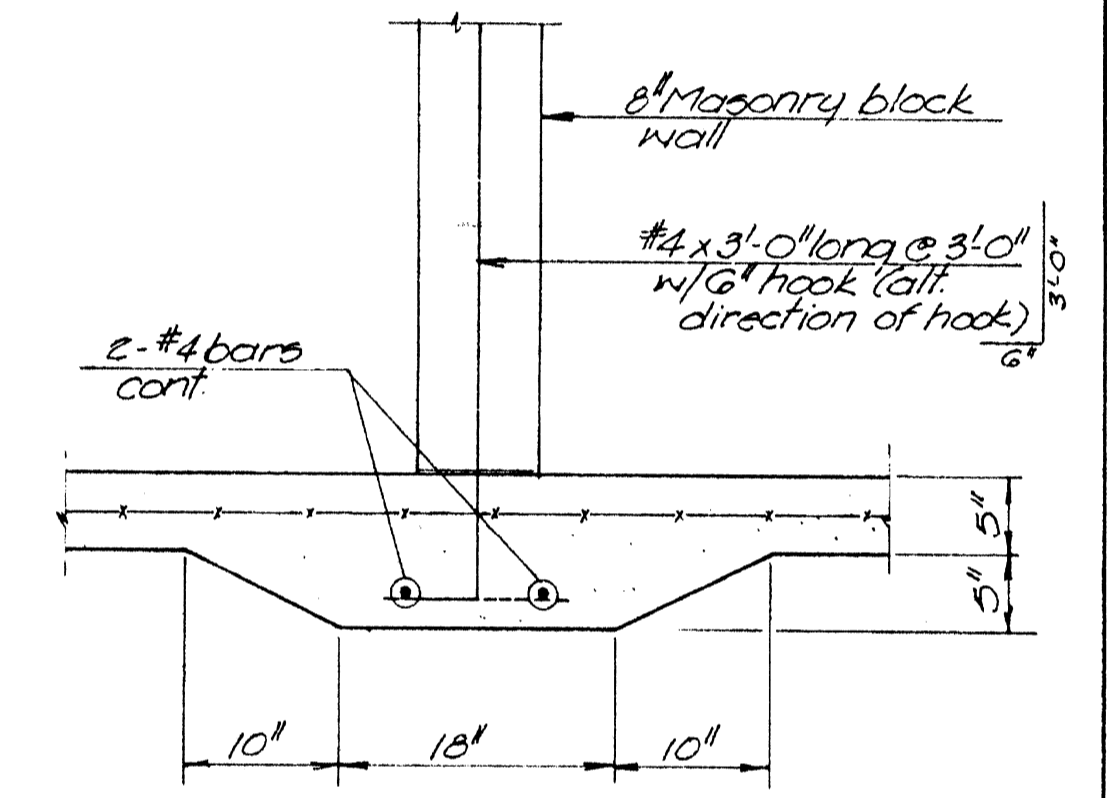
SECTION 6
Scale: 1 1/2\"/>



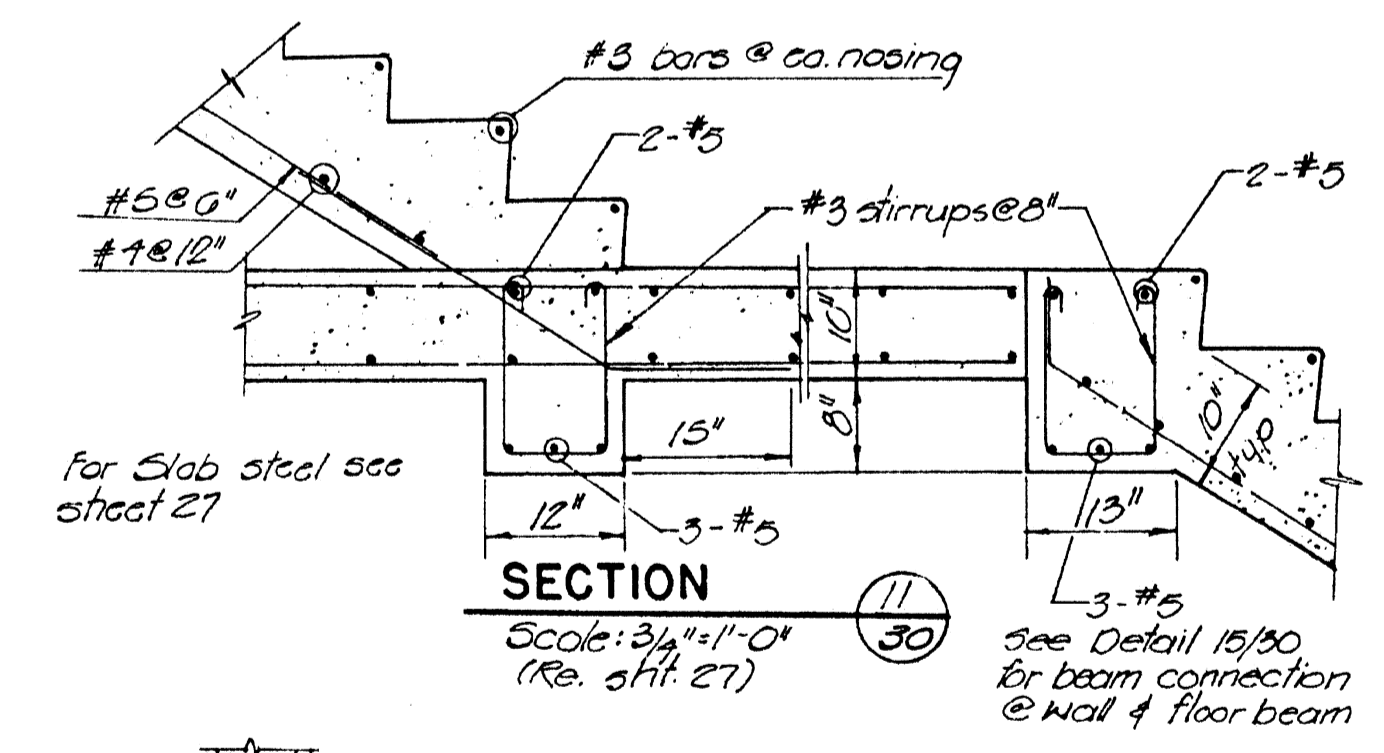
SECTION 7
Scale: 3/4\"/>



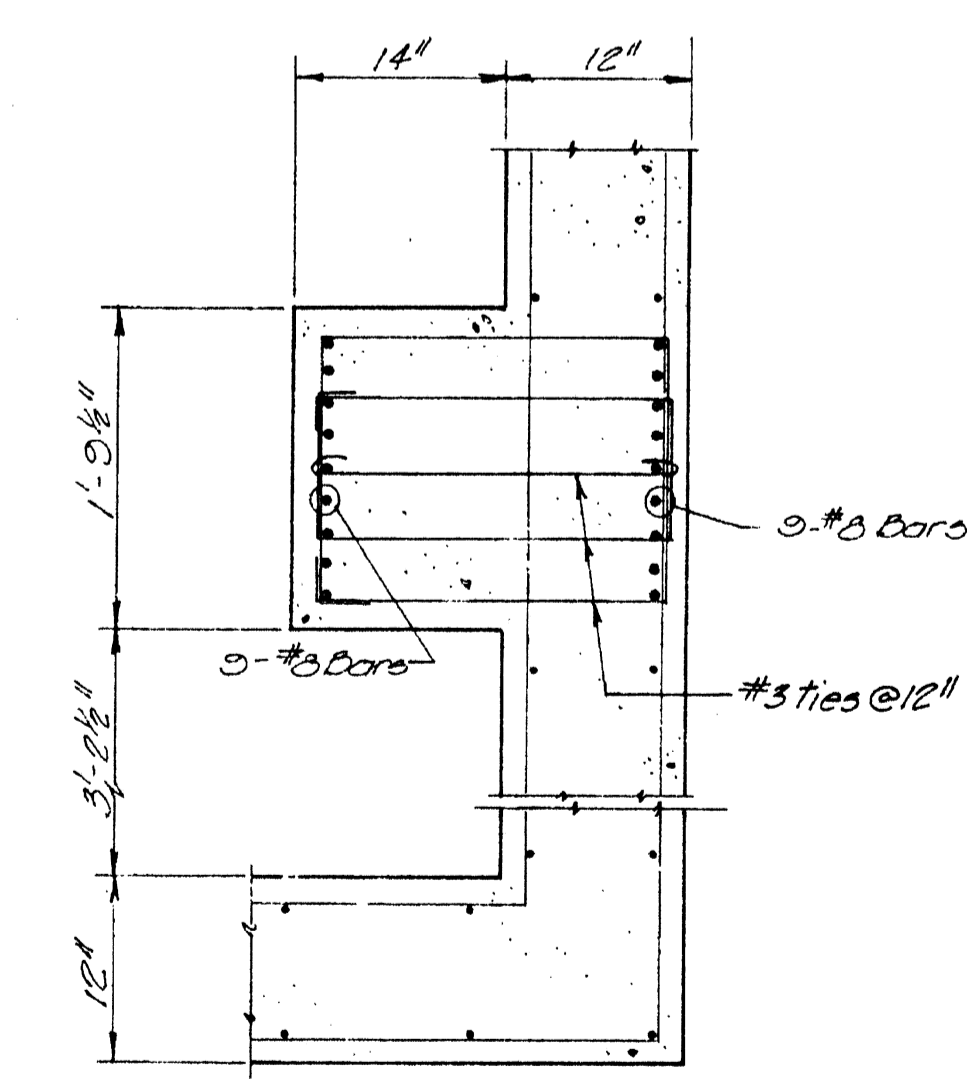
WALL SECTION 8
Scale: 1\"/>



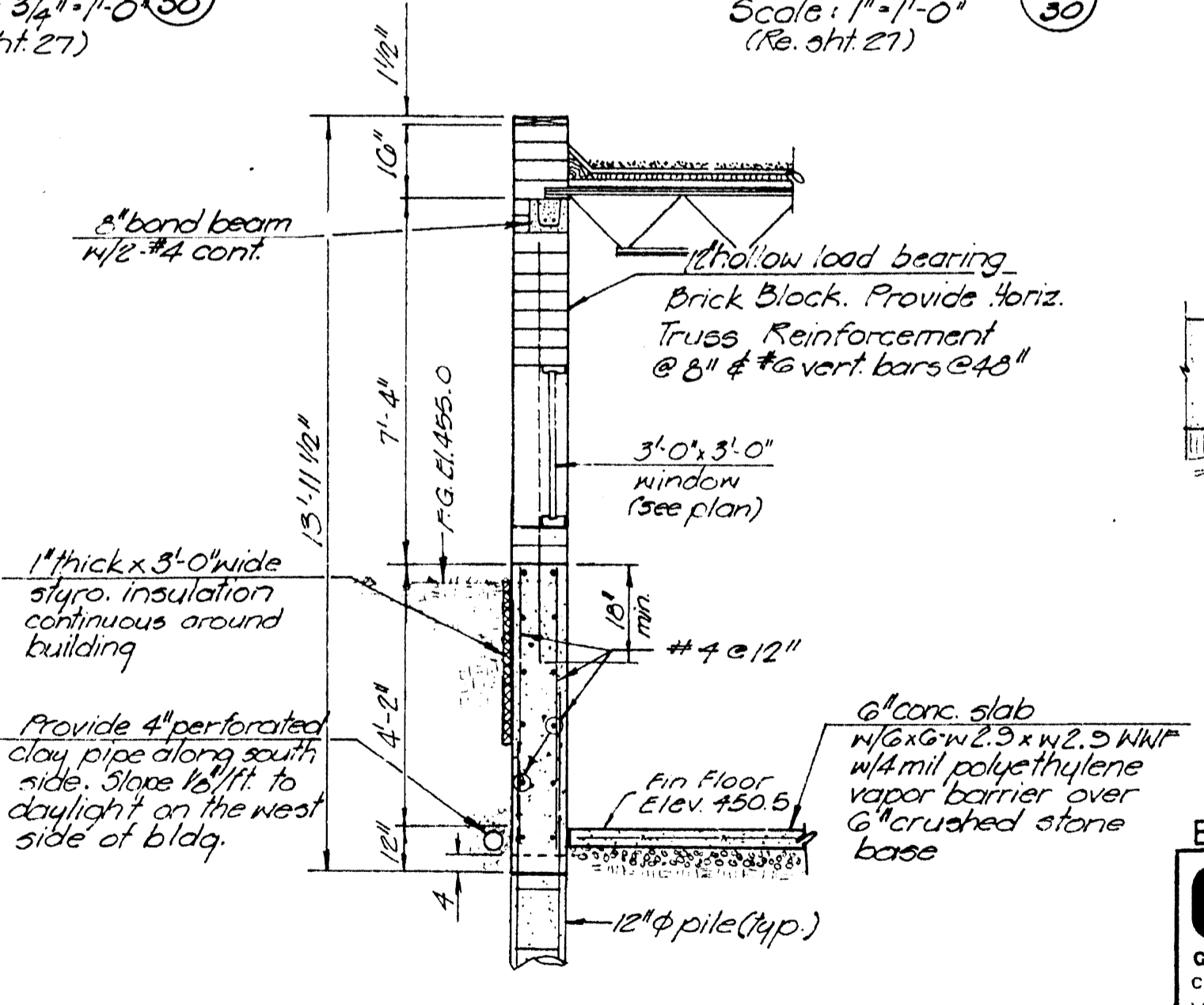
SECTION 10
Scale: 1\"/>



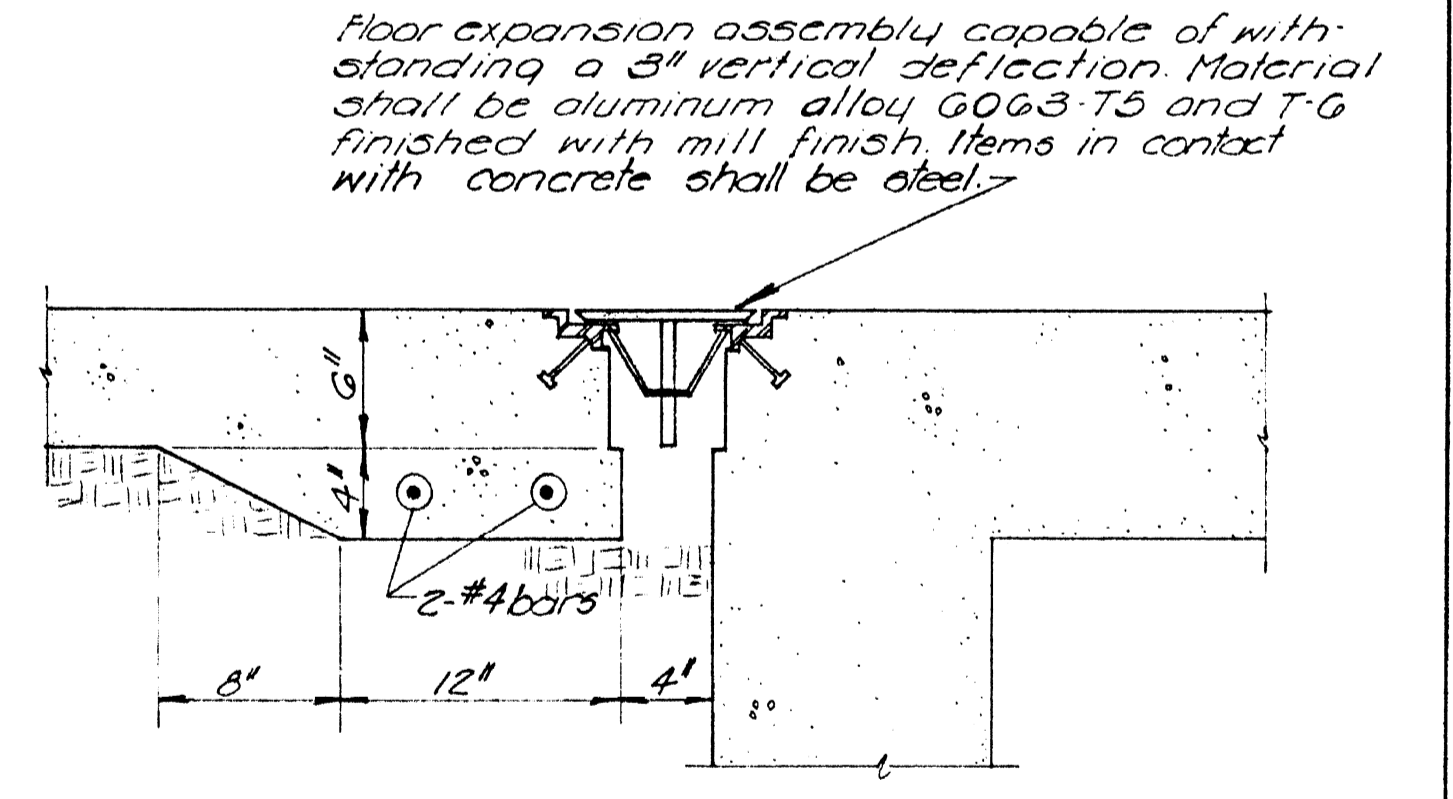
SECTION 11
Scale: 3/4\"/>



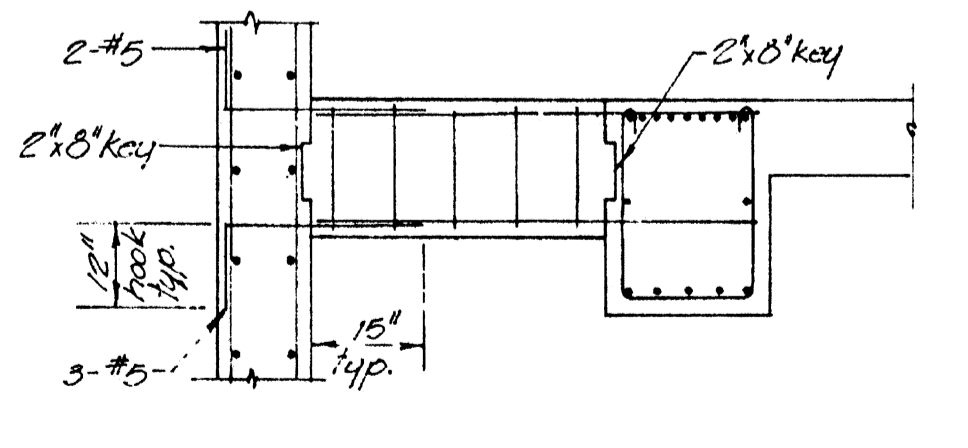
DETAIL 12
Scale: 1\"/>



TYPICAL WALL SECTION 13
Scale: 3/8\"/>



FLOOR EXPANSION ASSEMBLY 14
Not to scale (Re. sht. 27)
E.P.A. PROJECT NO. C291090
Revised 3/3/82 C.Raya



DETAIL 15
Scale: 1/2\"/>

<p>GBA GEORGE BUTLER ASSOCIATES CONSULTING ENGINEERS-ARCHITECTS LANDSCAPE ARCHITECTS-PLANNERS</p>	<p>OFFICES: SUITE 204 FAIRWAY OFFICE CENTER 4210 JOHNSON DRIVE / SHAWNEE MISSION / KANSAS 66205 1100 CITY CENTER SQUARE 1100 MAIN / KANSAS CITY / MISSOURI 64105 SUITE 154 LAKEVIEW PLAZA #2 6700 CORPORATE DRIVE / KANSAS CITY / MISSOURI 64120</p>
	<p>DESIGNED BY J.S. DRAWN BY N.Y.C. RAYA CHECKED BY M.L.S.</p>
<p>WASTEWATER TREATMENT PLANT EXPANSION BIO-FILTER BUILDING OPERATING FLOOR SECTIONS CITY OF FALLOON, MISSOURI</p>	
<p>JOB NO. 19-2065 DATE July 30, 1981 SCALE As Noted SHEET NO. 30 OF 88</p>	