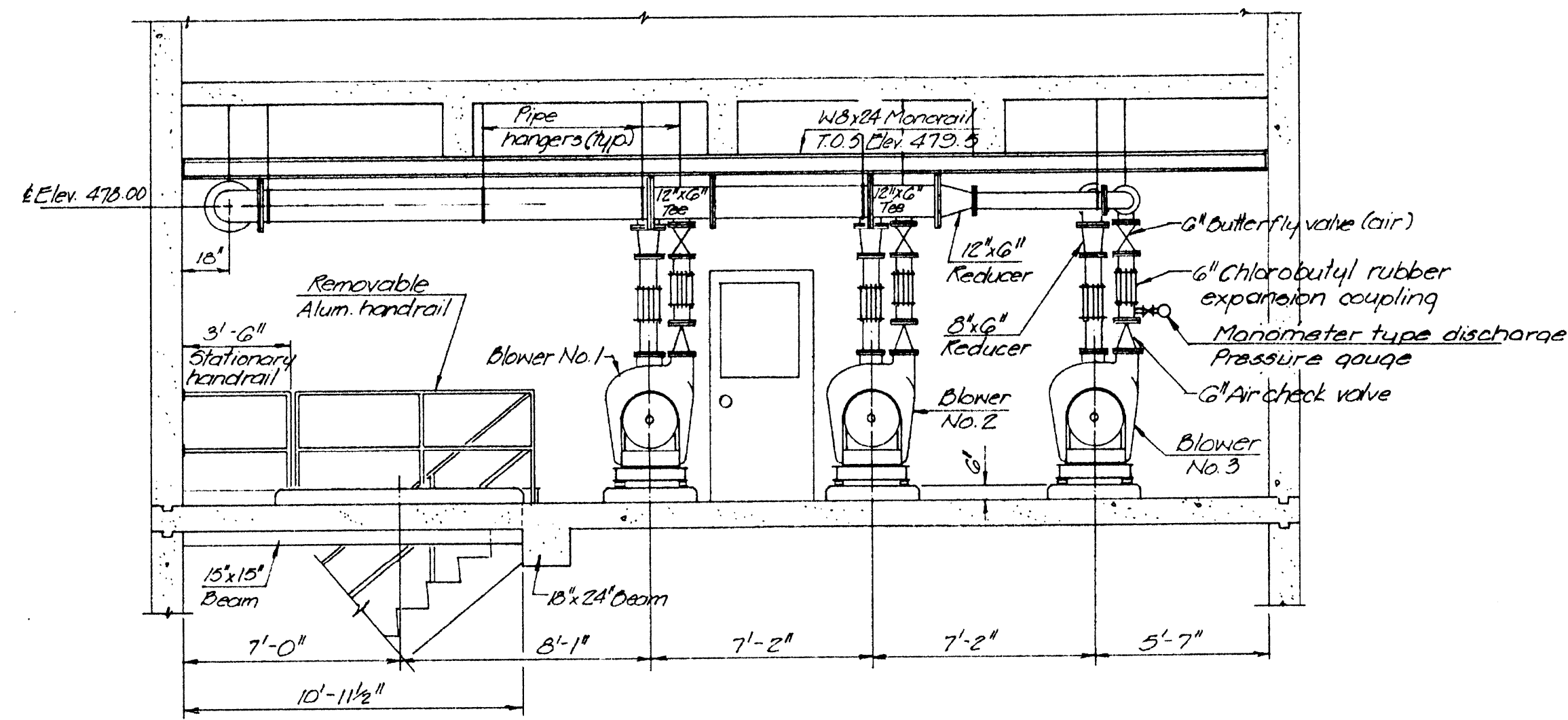
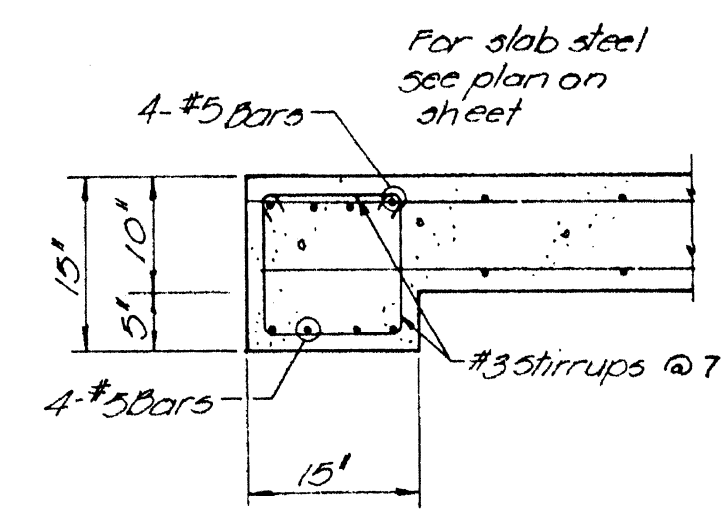


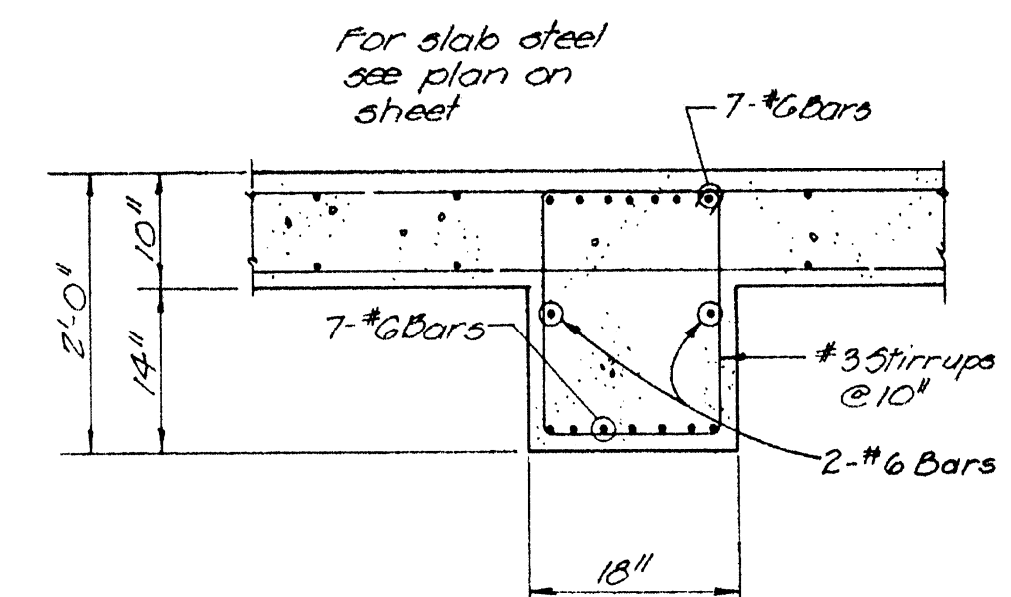
SECTION 1
Scale: 1/4" = 1'-0"
(Re: sht 27)



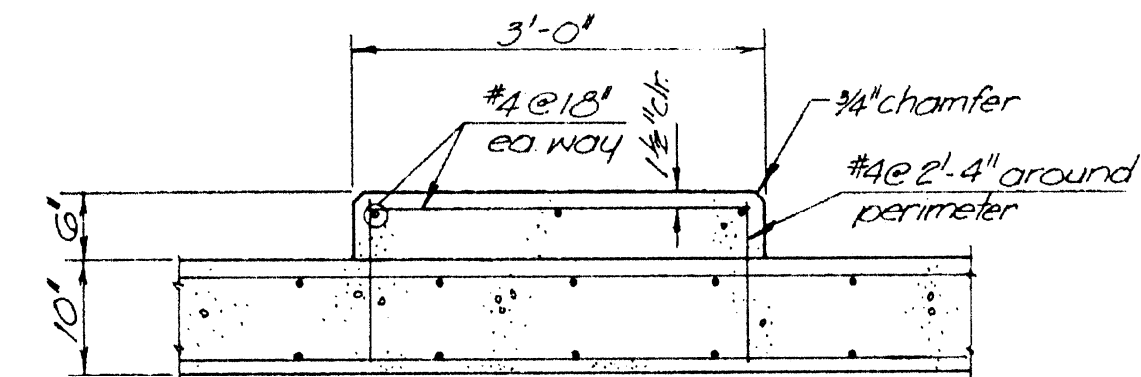
SECTION 2
Scale: 1/4" = 1'-0"
(Re: sht 27)



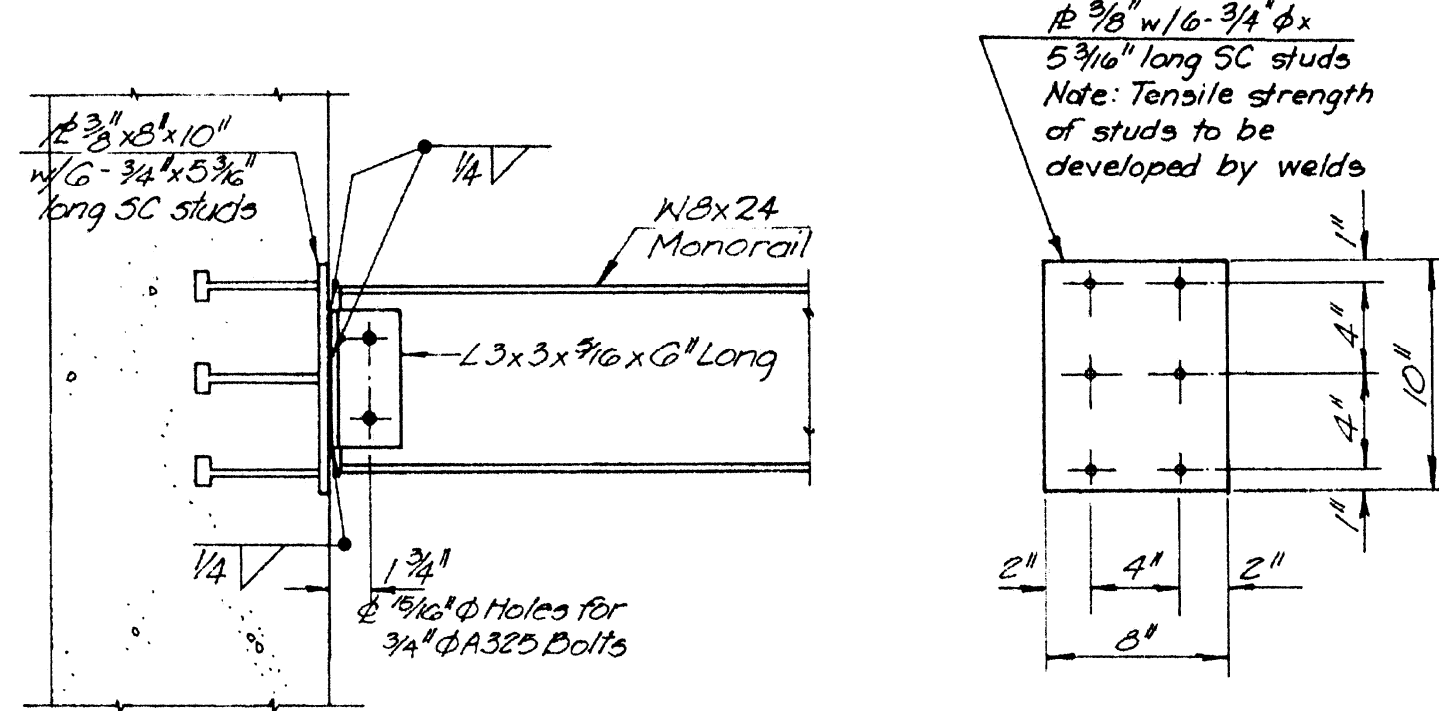
SECTION 3
Scale: 3/4" = 1'-0"
(Re: sht 27 & 29)



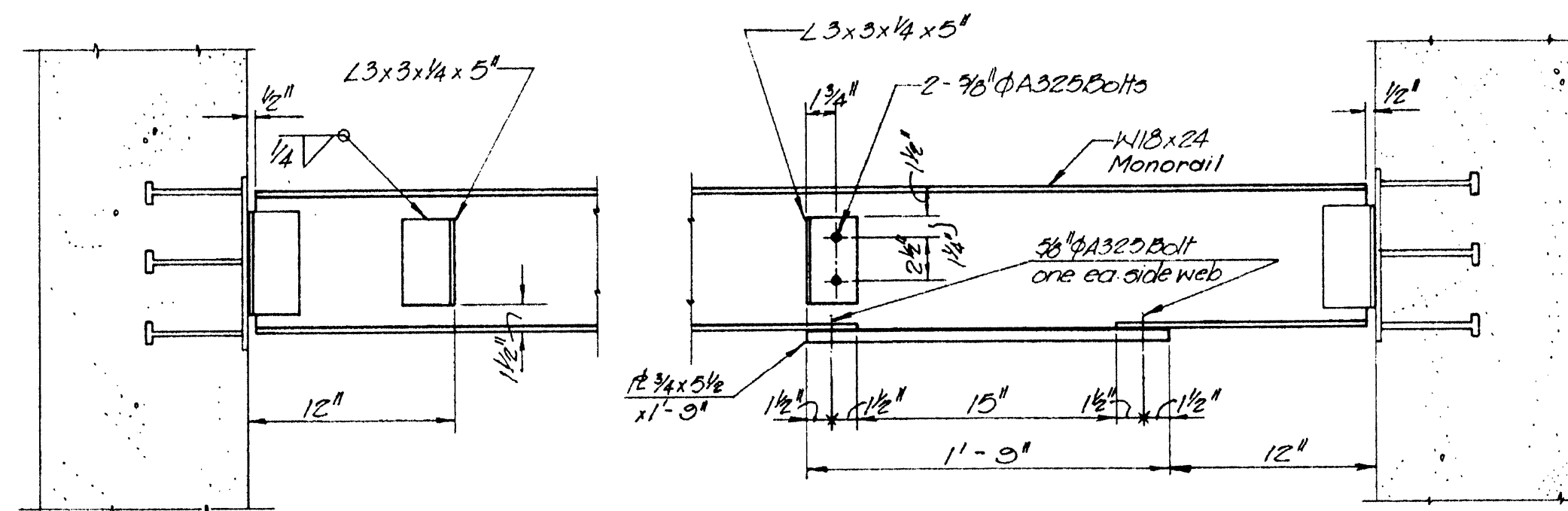
SECTION 4
Scale: 3/4" = 1'-0"
(Re: sht 27 & 29)



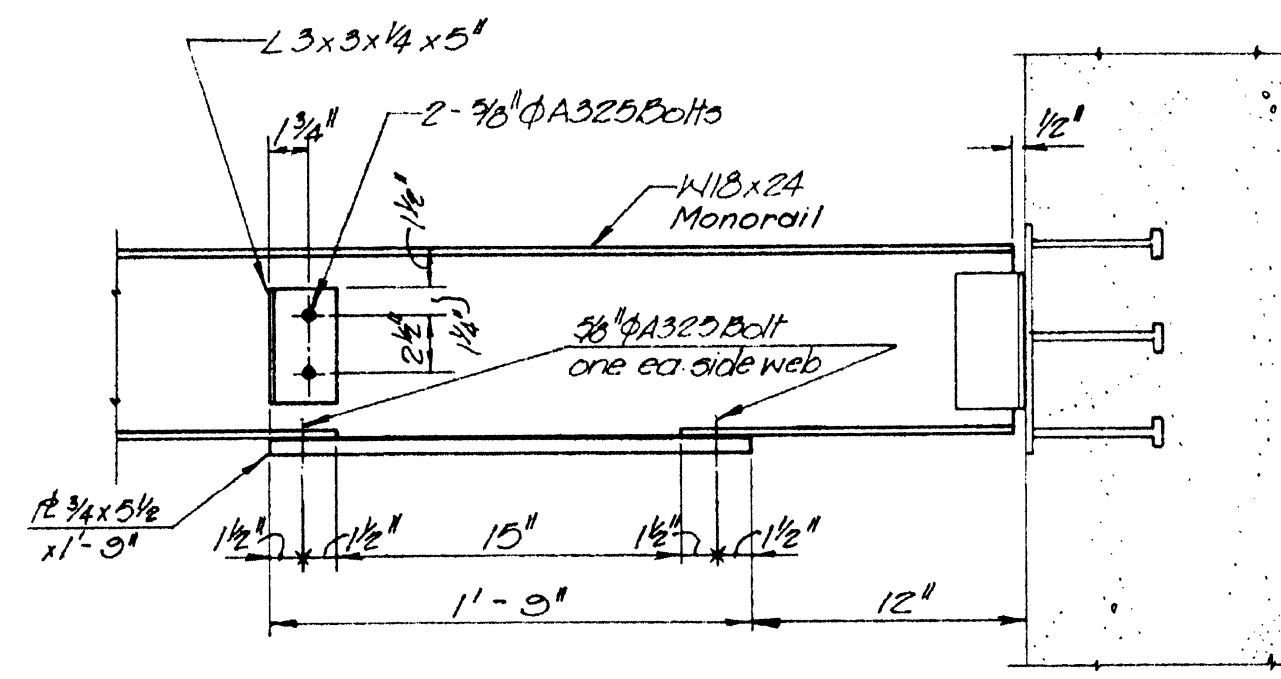
SECTION 5
Scale: 3/4" = 1'-0"
(Re: sht 27)



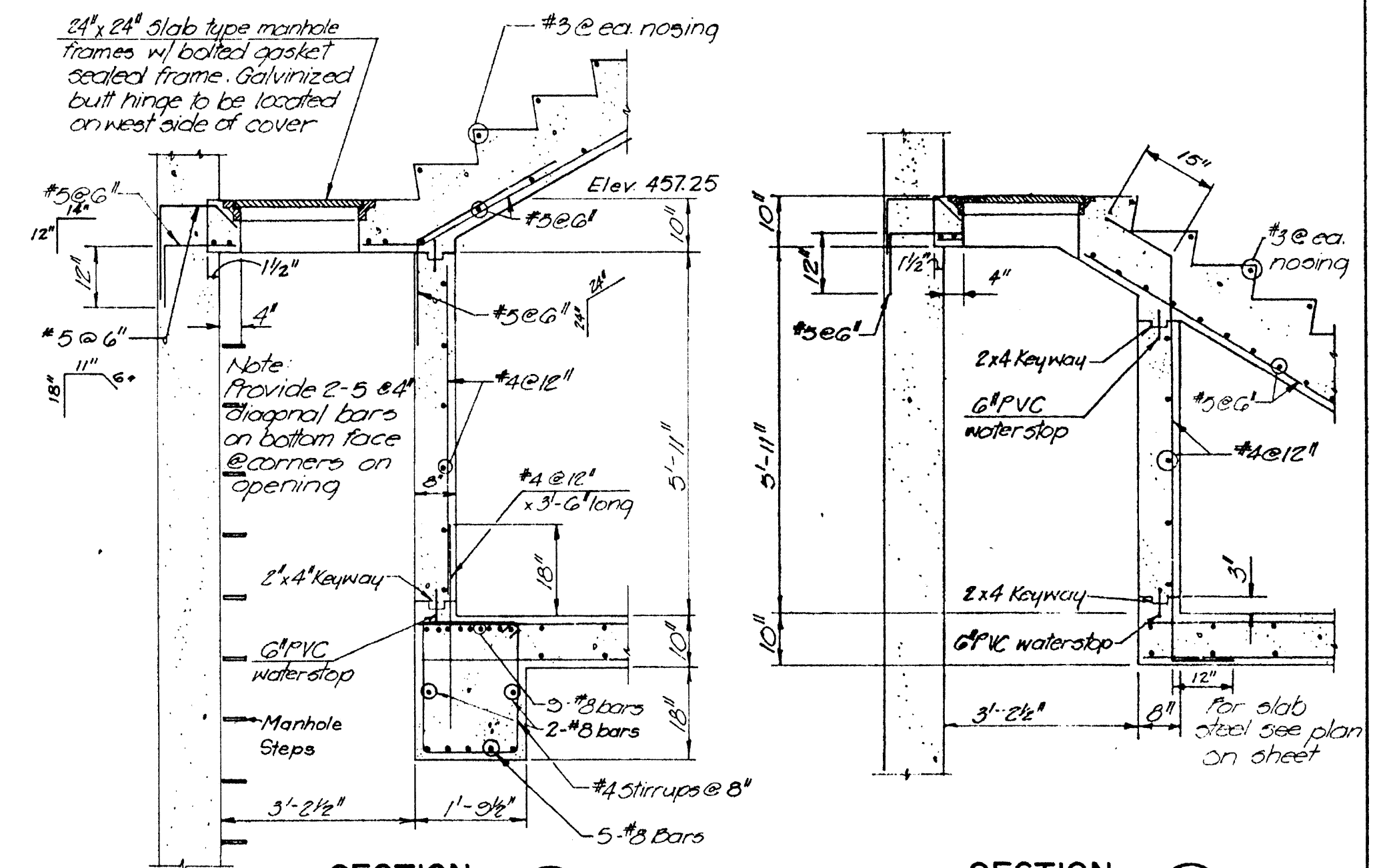
EMBEDDED PLATE DETAIL
Scale: 1/2" = 1'-0"
(Re: sht 27)



SECTION 6
Scale: 1/2" = 1'-0"
(Re: sht 27)



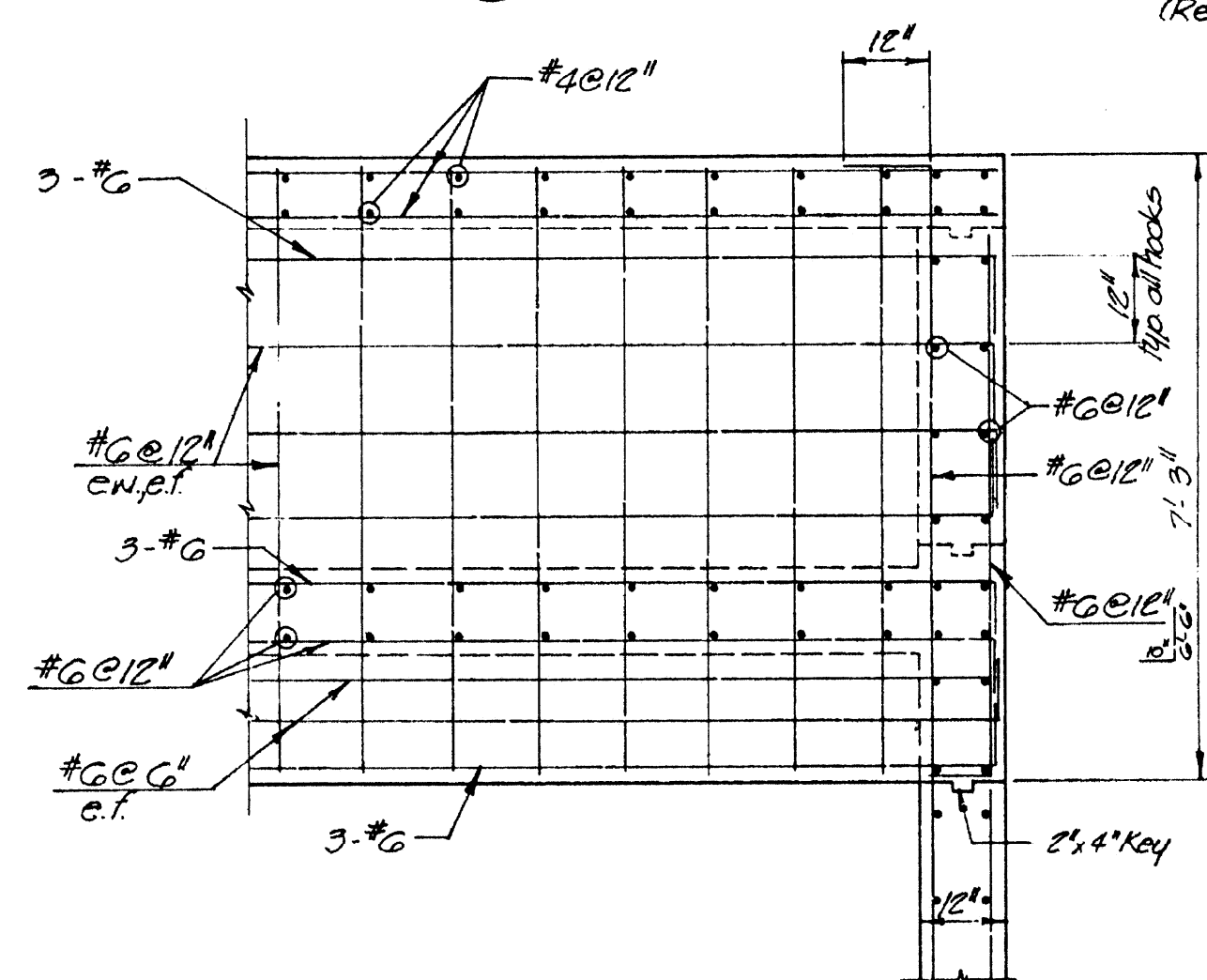
SECTION 7
Scale: 1/2" = 1'-0"
(Re: sht 27)



SECTION 8
Scale: 1/2" = 1'-0"
(Re: sht 19)

SECTION 9
Scale: 1/2" = 1'-0"
(Re: sht 19)

HEADER BOX DETAIL
Scale: 1/2" = 1'-0"



SECTION 10
Scale: 1/2" = 1'-0"
(Re: sht 27)

EPA PROJECT NO. C291090

GBA
GEORGE BUTLER ASSOCIATES
CONSULTING ENGINEERS/ARCHITECTS
LANDSCAPE ARCHITECTS/PLANNERS

OFFICES:
SUITE 500 S. PARKWAY OFFICE CENTER
4270 JOHNSON DRIVE / SHAWNEE MISSION, KANSAS 66205
1100 CITY CENTER SQUARE
1100 MAIN / KANSAS CITY, MISSOURI 64105
SUITE 138 LAKESIDE PLAZA C
6100 CORPORATE DRIVE / KANSAS CITY, MISSOURI 64120

**WASTEWATER TREATMENT
PLANT EXPANSION
BIO-FILTER COMPLEX
SECTIONS & DETAILS**

CITY OF FALLON, MISSOURI

DESIGNED BY J.L.S. DRAWN BY C. Rupp CHECKED BY M.L.S.

JOB NO 75-2065
DATE July 30, 1981
SCALE As Shown
SHEET 31 of 88