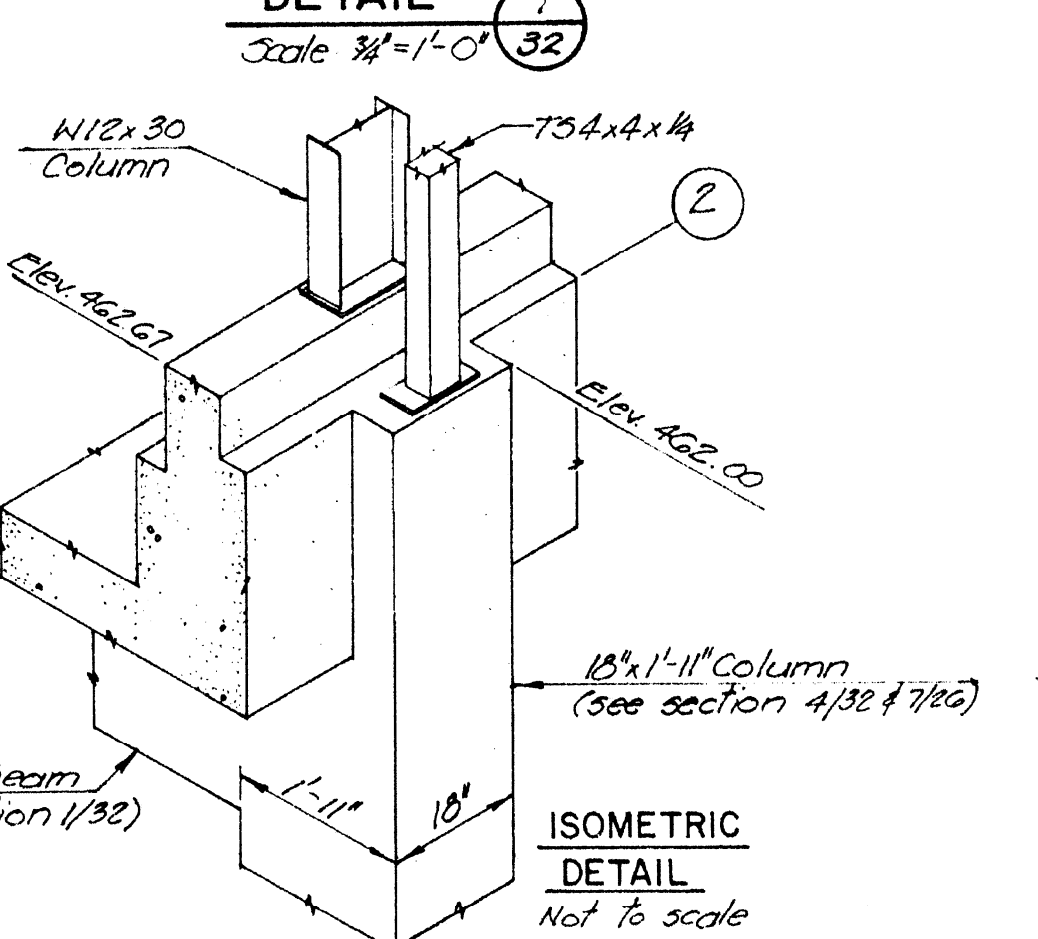
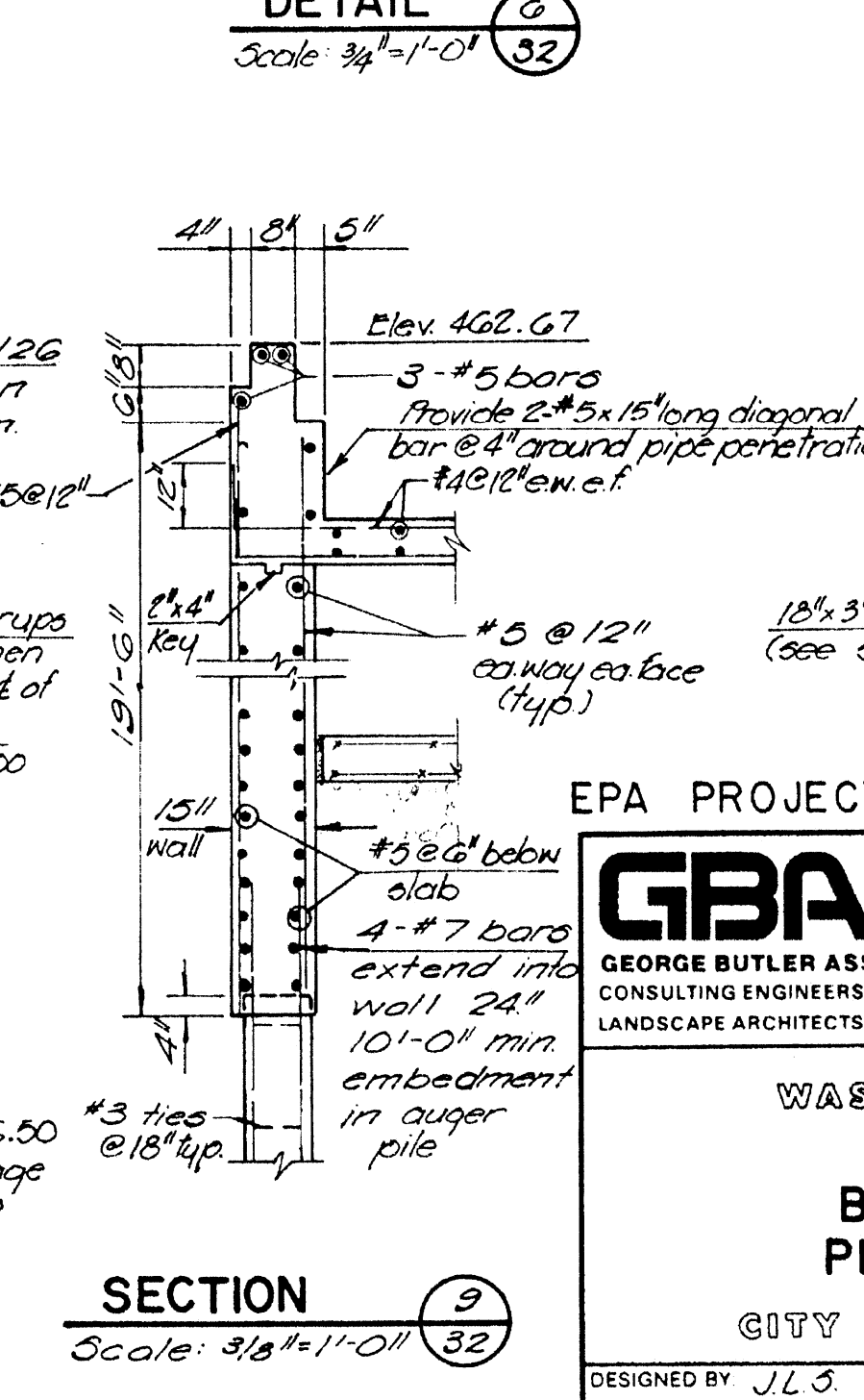
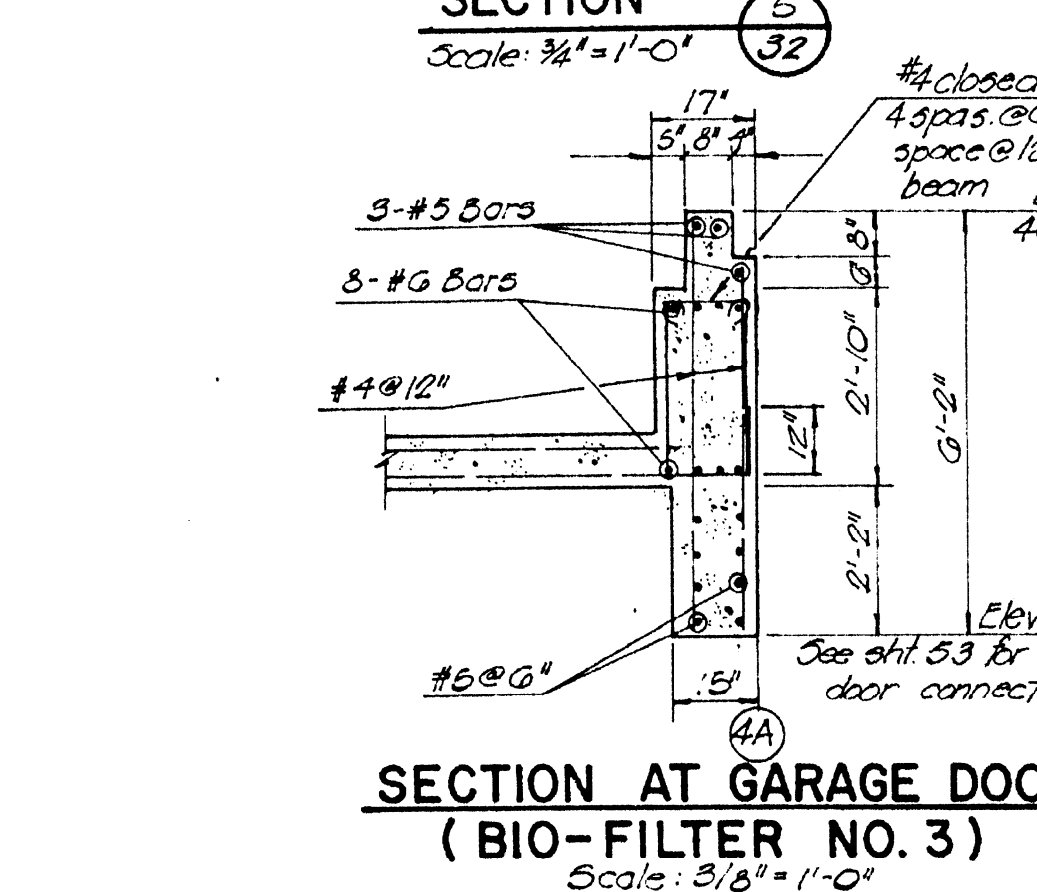
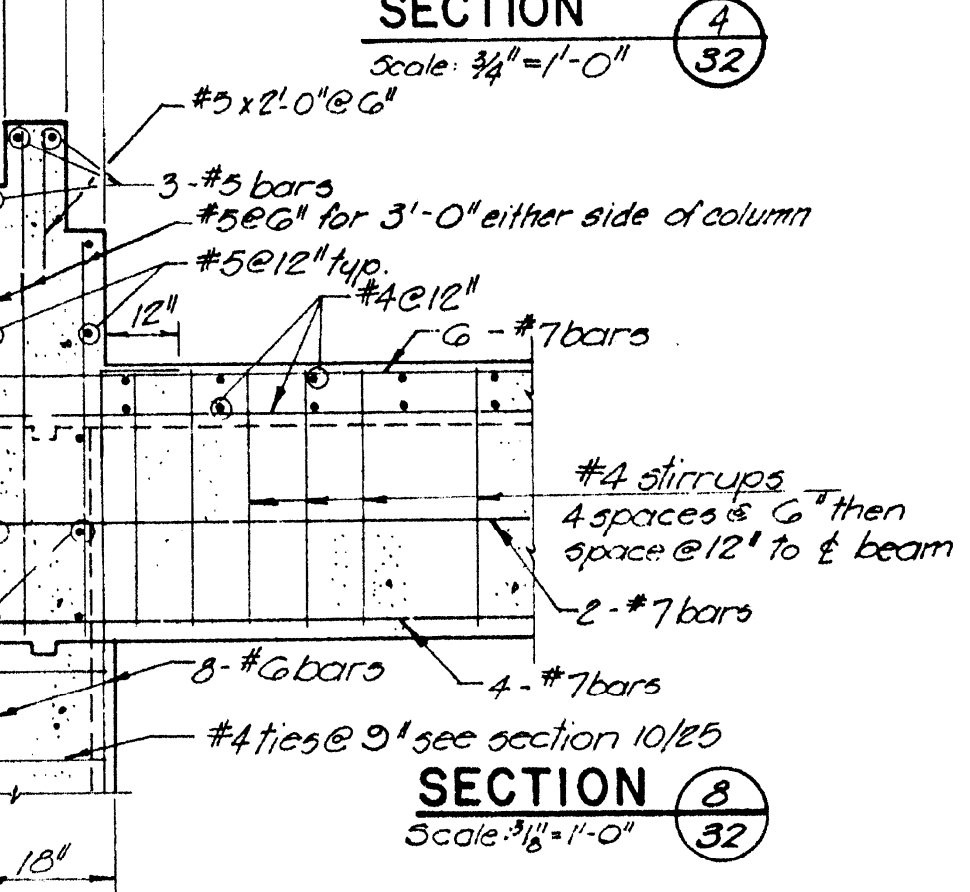
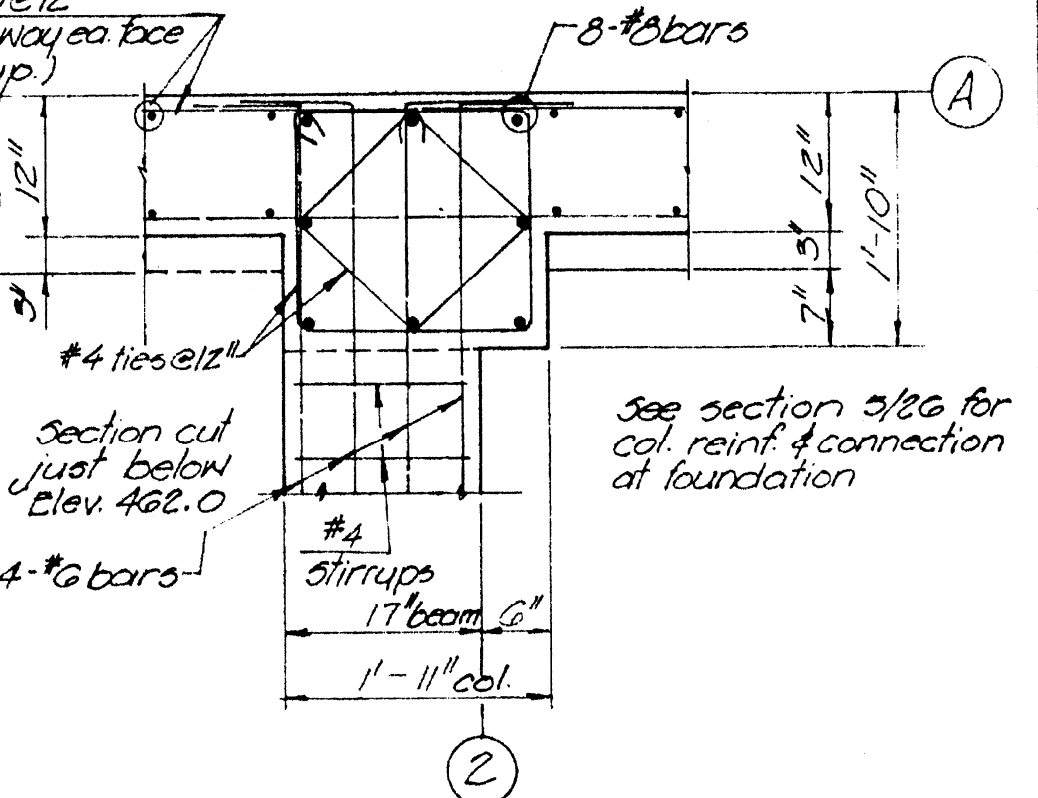
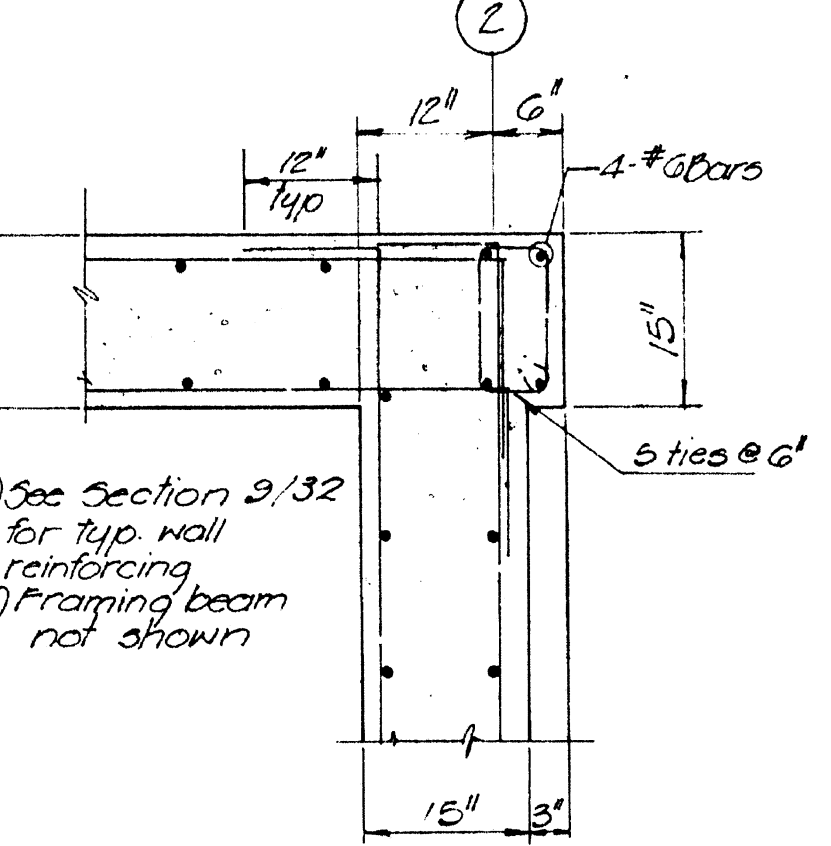
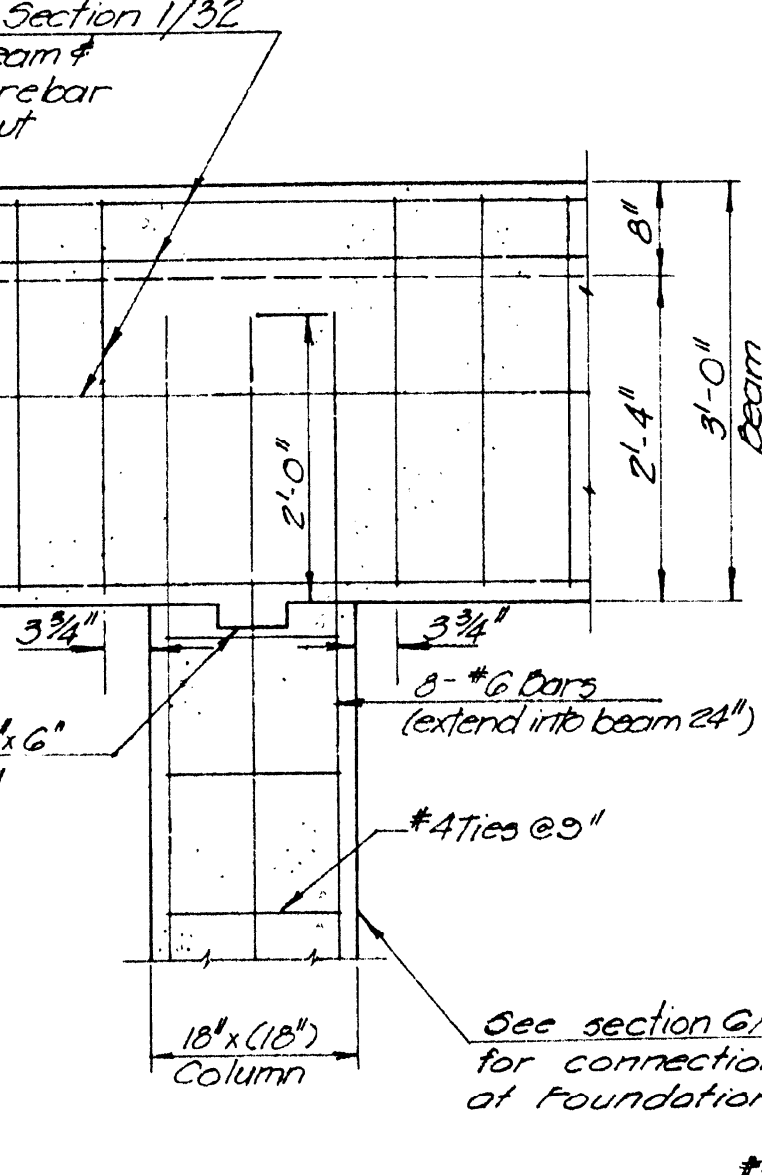
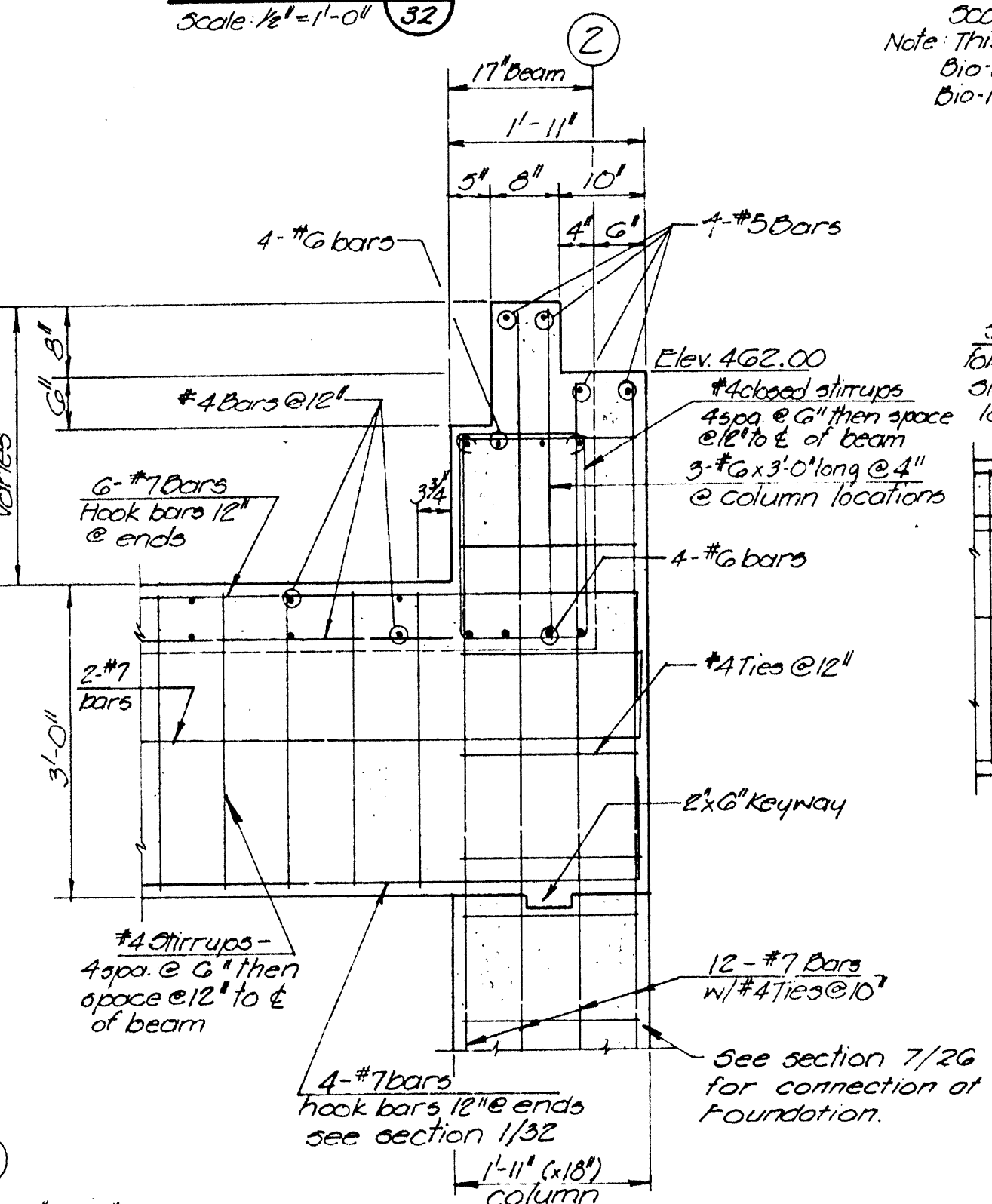
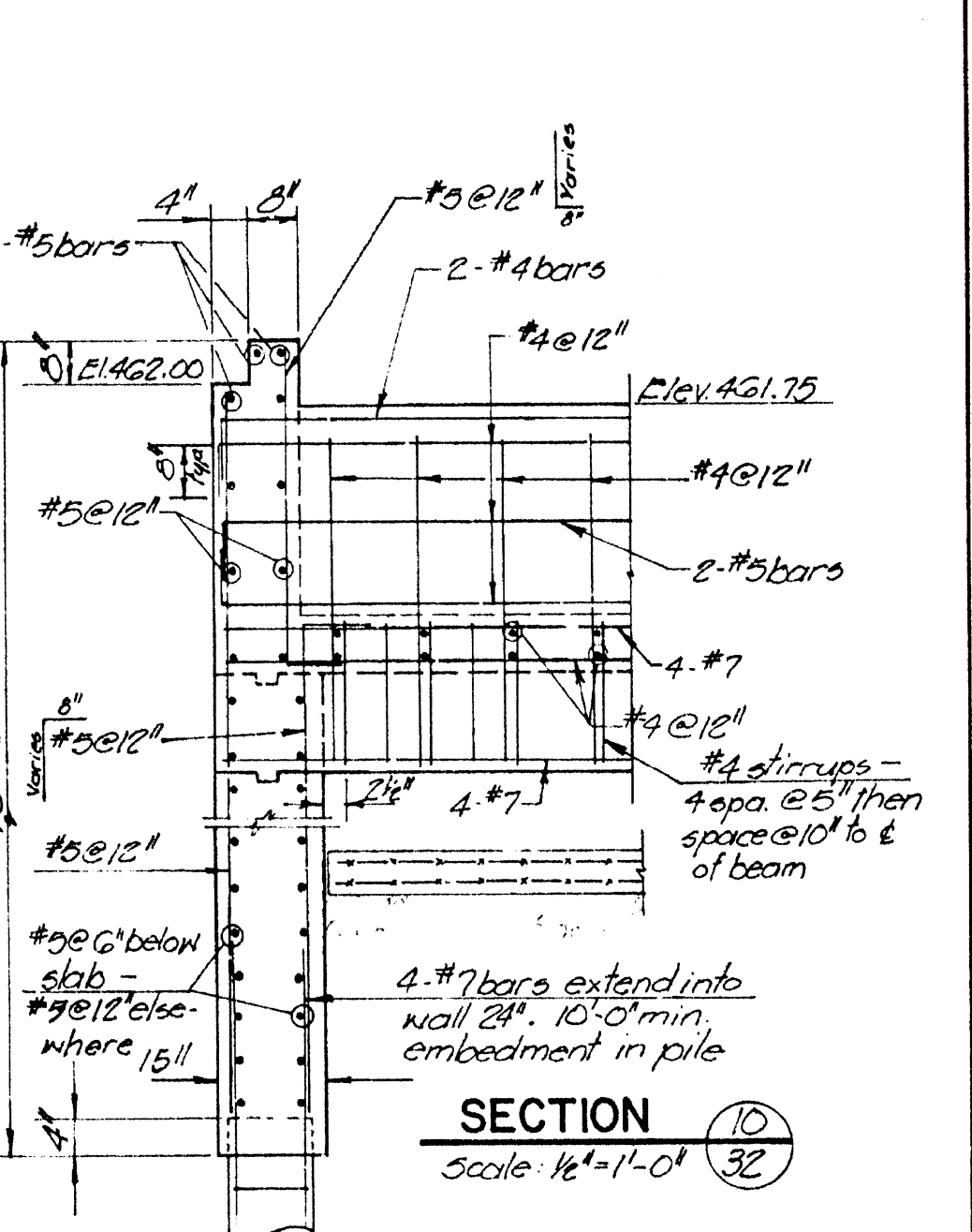
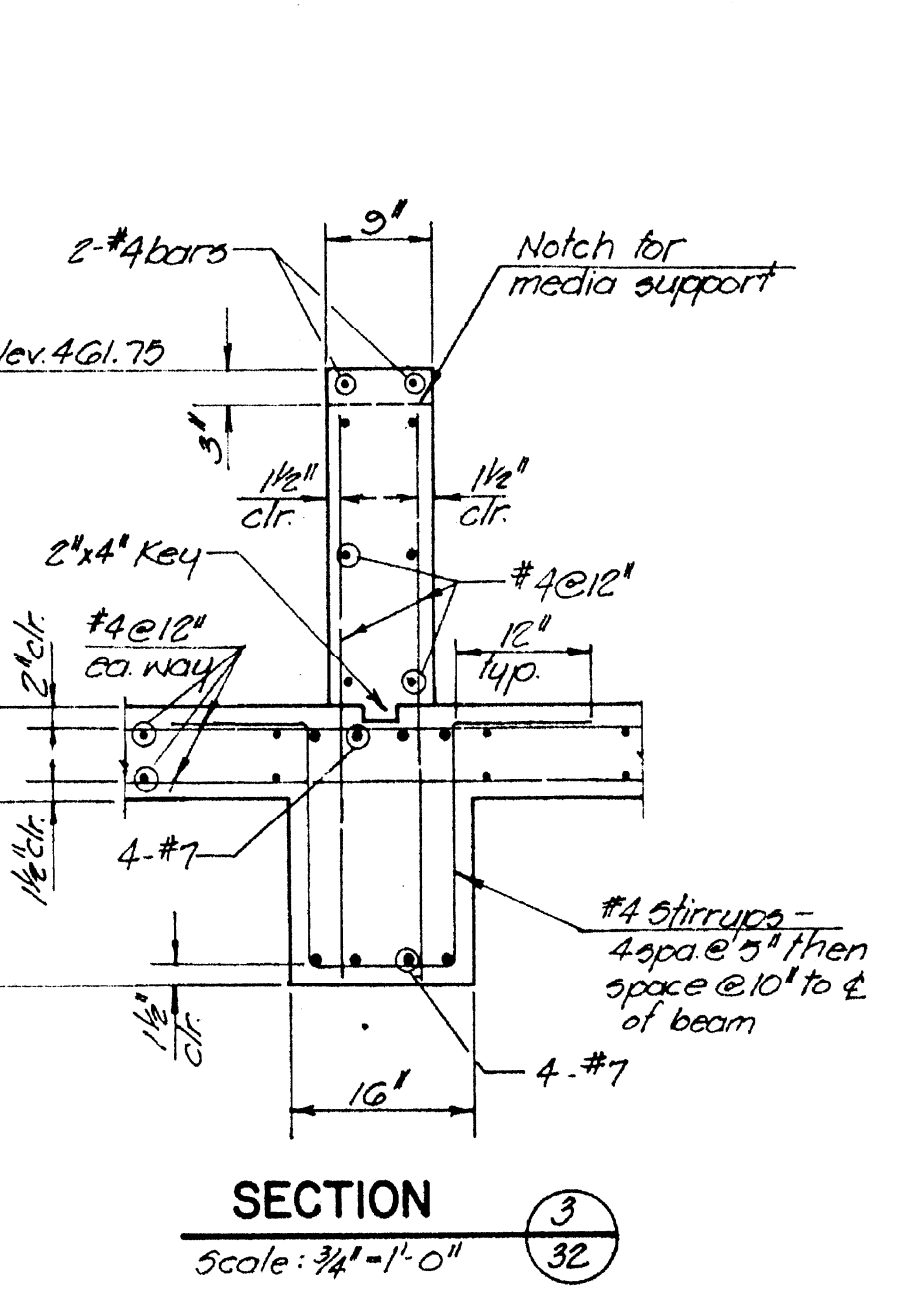
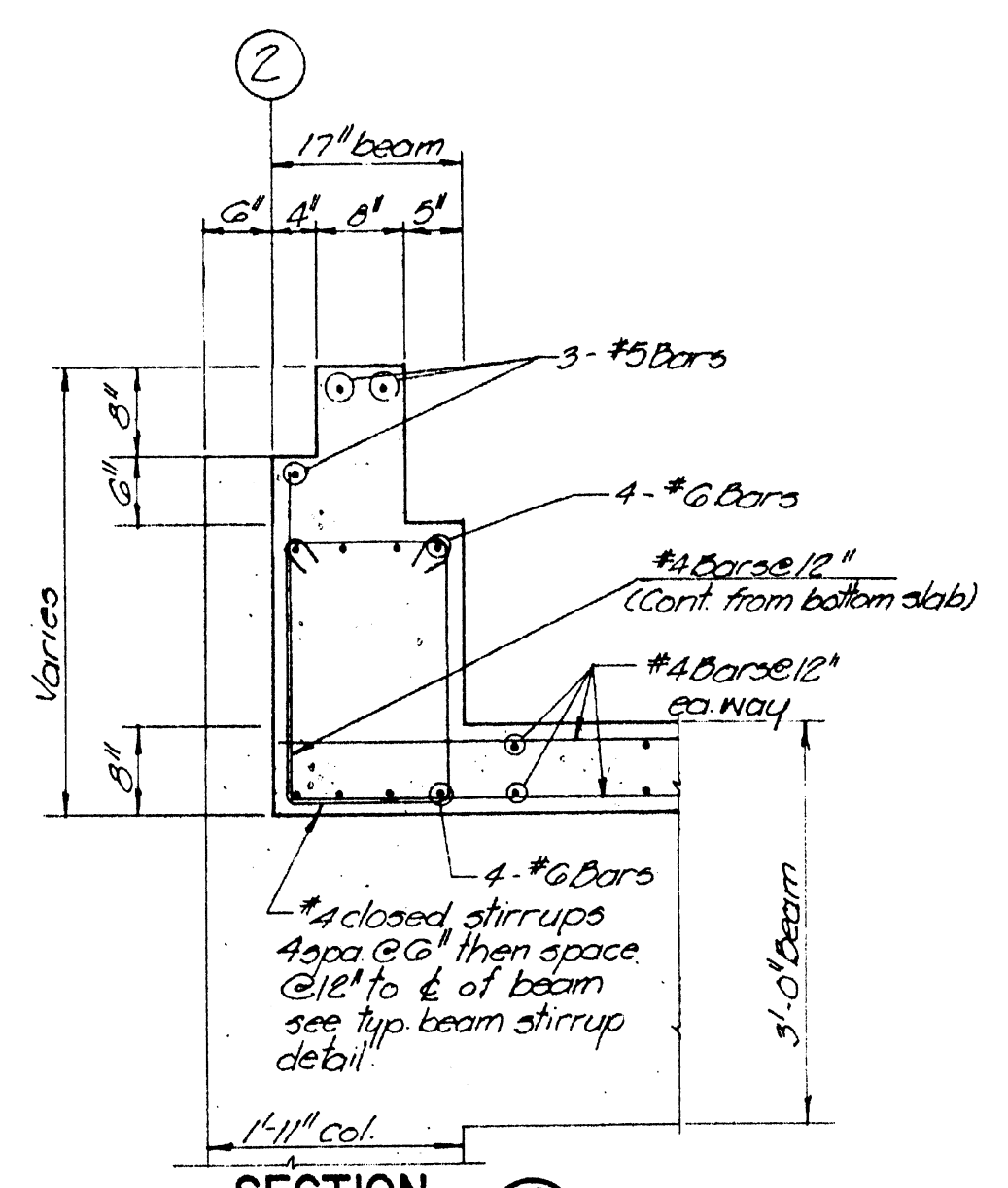
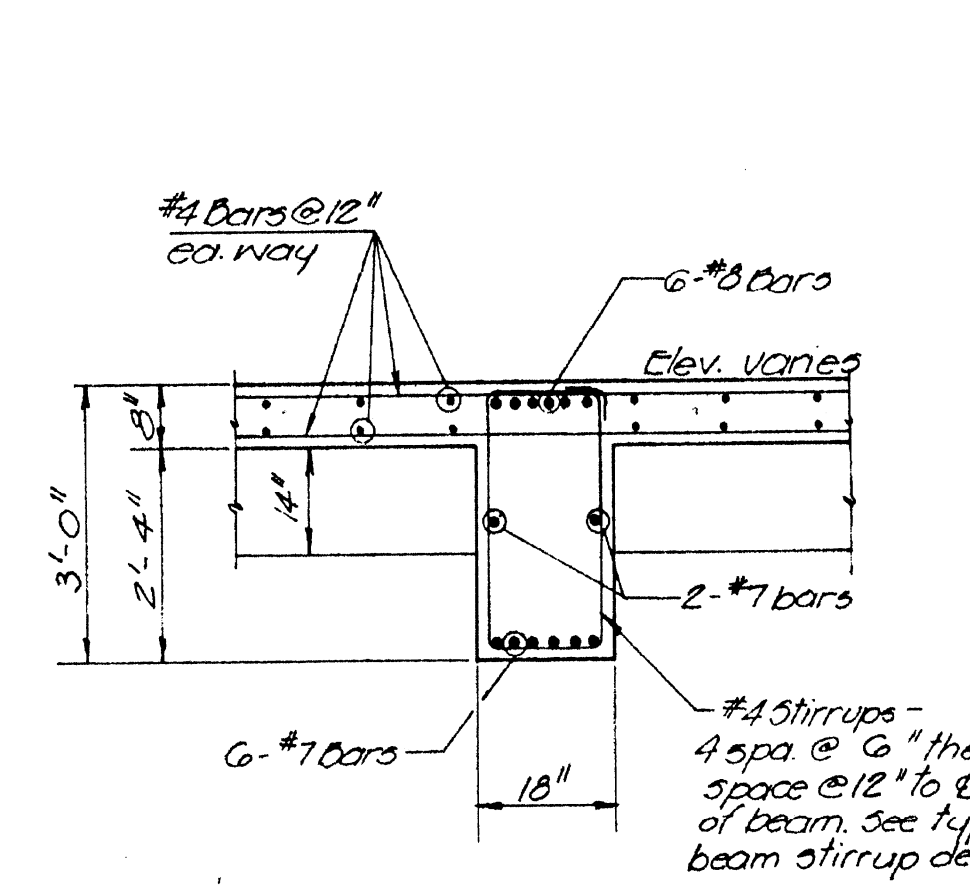
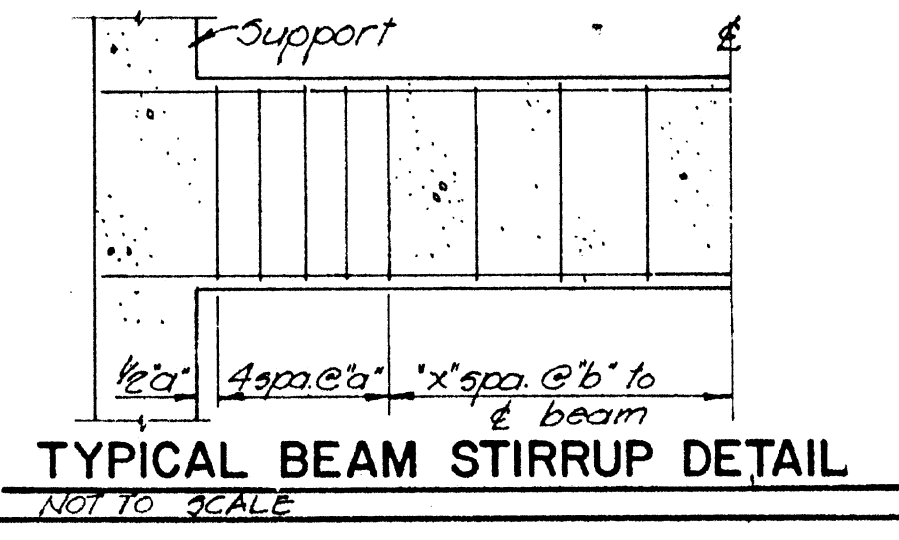


BIO-FILTER NO. 1 FLOOR PLAN Scale: 1/4" = 1'-0"
(BIO-FILTER NO. 2 & 3 SIMILAR)



EPA PROJECT NO. C291090

GBA
GEORGE BUTLER ASSOCIATES
CONSULTING ENGINEERS/ARCHITECTS
LANDSCAPE ARCHITECTS/PLANNERS

OFFICES:
SUITE 304 FAIRWAY OFFICE CENTER
4310 JUNCTION DRIVE, SHANNON MISSION / KANSAS 66205
1100 CITY CENTER SQUARE
1100 MAIN / KANSAS CITY / MISSOURI 64105
SUITE 134 LAKESIDE PLAZA II
8700 CORPORATE DRIVE / KANSAS CITY / MISSOURI 64120

WASTEWATER TREATMENT
PLANT EXPANSION
**BIO-FILTER FLOOR
PLANS & SECTIONS**
CITY OF FALLON, MISSOURI

DESIGNED BY J.L.S. DRAWN BY C. RAYD CHECKED BY M.L.S.

JOB NO. 79-2065
DATE 7/30/81
SCALE As Shown
SHEET NO. 32 OF 88