

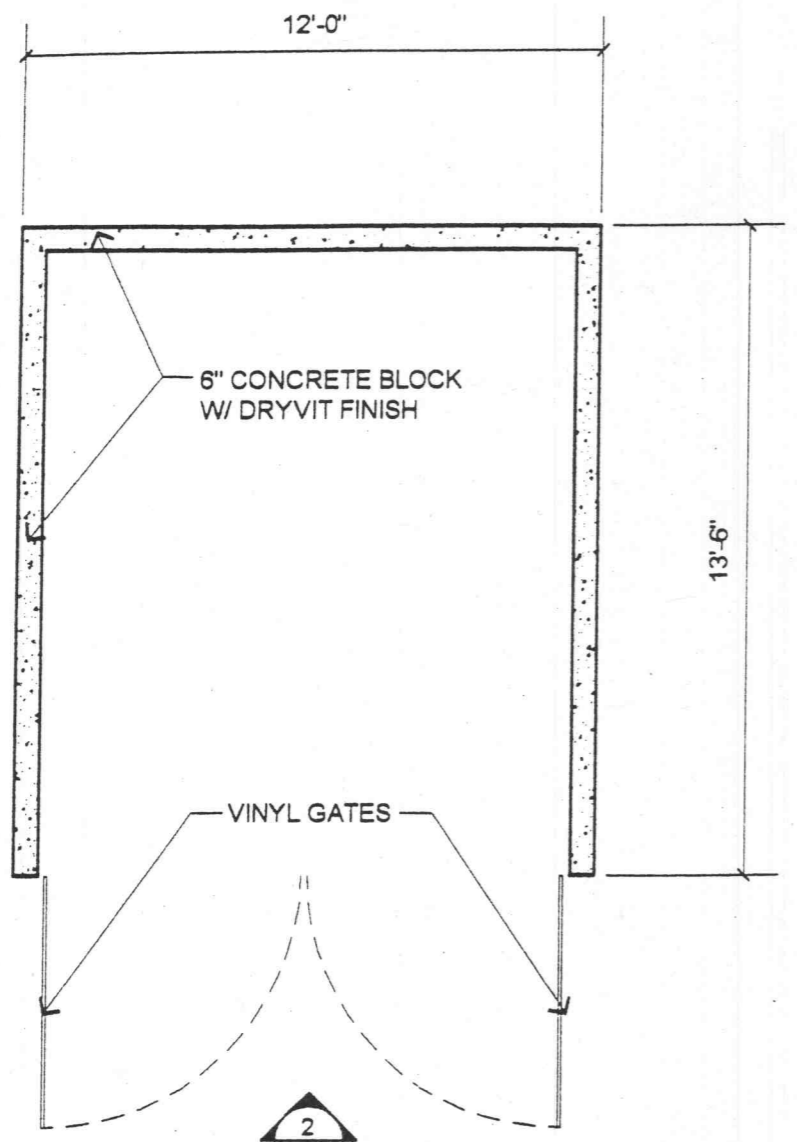
COPY RIGHT © 2005 BY SUNG ARCHITECTURE, LLC. THIS DRAWING, AS AN INSTRUMENT OF PROFESSIONAL SERVICE, IS AND SHALL REMAIN THE PROPERTY OF SUNG ARCHITECTURE, LLC. NO PART OF THIS DRAWING MAY BE PRODUCED, STORED IN A RETRIEVAL SYSTEM OR TRANSMITTED IN ANY FORM WITHOUT THE PRIOR WRITTEN APPROVAL OF SUNG ARCHITECTURE, LLC.

SUNG
 ARCHITECTURE, LLC
 ARCHITECT PLANNER DESIGNER
 phone: 636 / 301 0001 fax: 636 / 301 0040
 e-mail: sung@architecturaldesign.com
 address: 4551 HIGHWAY K, ST. CHARLES, MISSOURI 63304

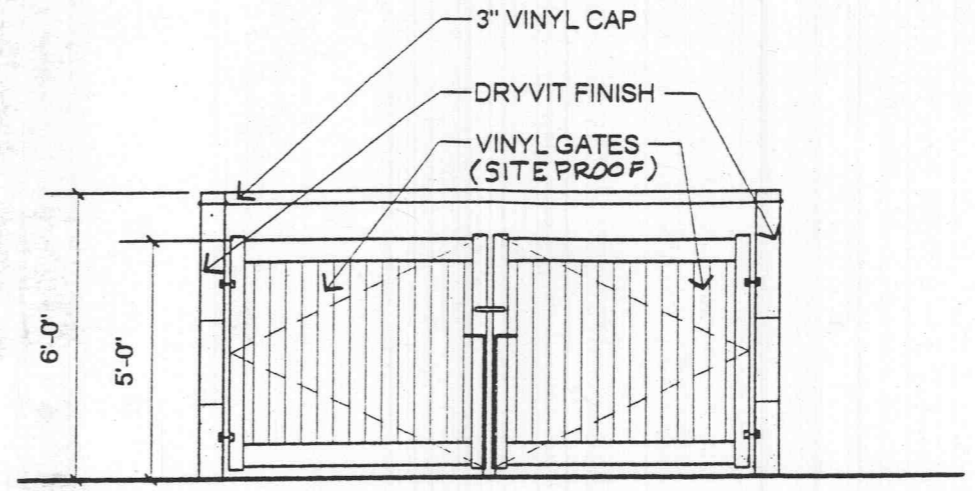
NEW BUILDING FOR:
BISTRO OF JAPAN
 4551 HIGHWAY K
 ST. CHARLES, MISSOURI 63304

REVISIONS	
Project Number	S2004 - 028
Date	2 - 09 - 05

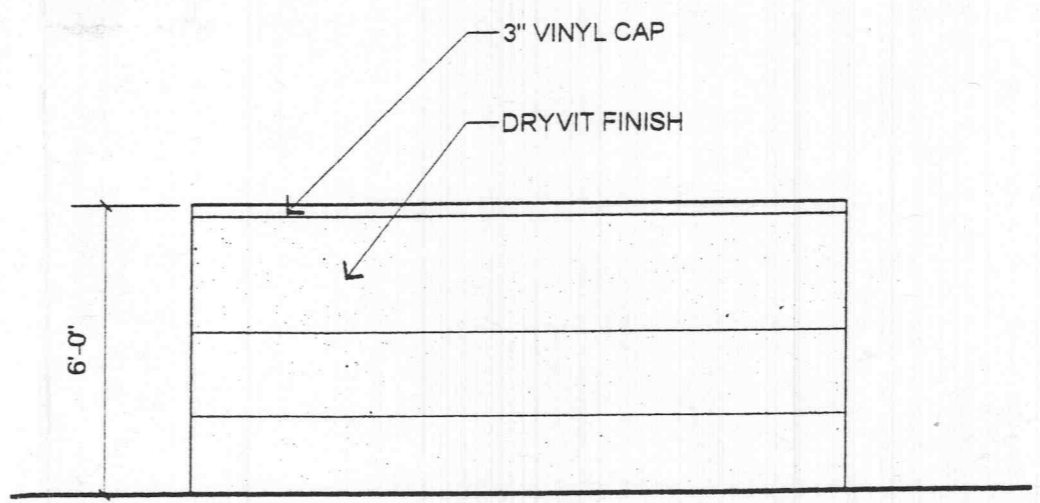
SHEET
A1



1 TRASH ENCLOSURE PLAN
 A1 SCALE: 1/4" = 1'-0"



2 TRASH ENCLOSURE ELEVATION
 A1 SCALE: 1/4" = 1'-0"



3 TRASH ENCLOSURE ELEVATION
 A1 SCALE: 1/4" = 1'-0"

FO