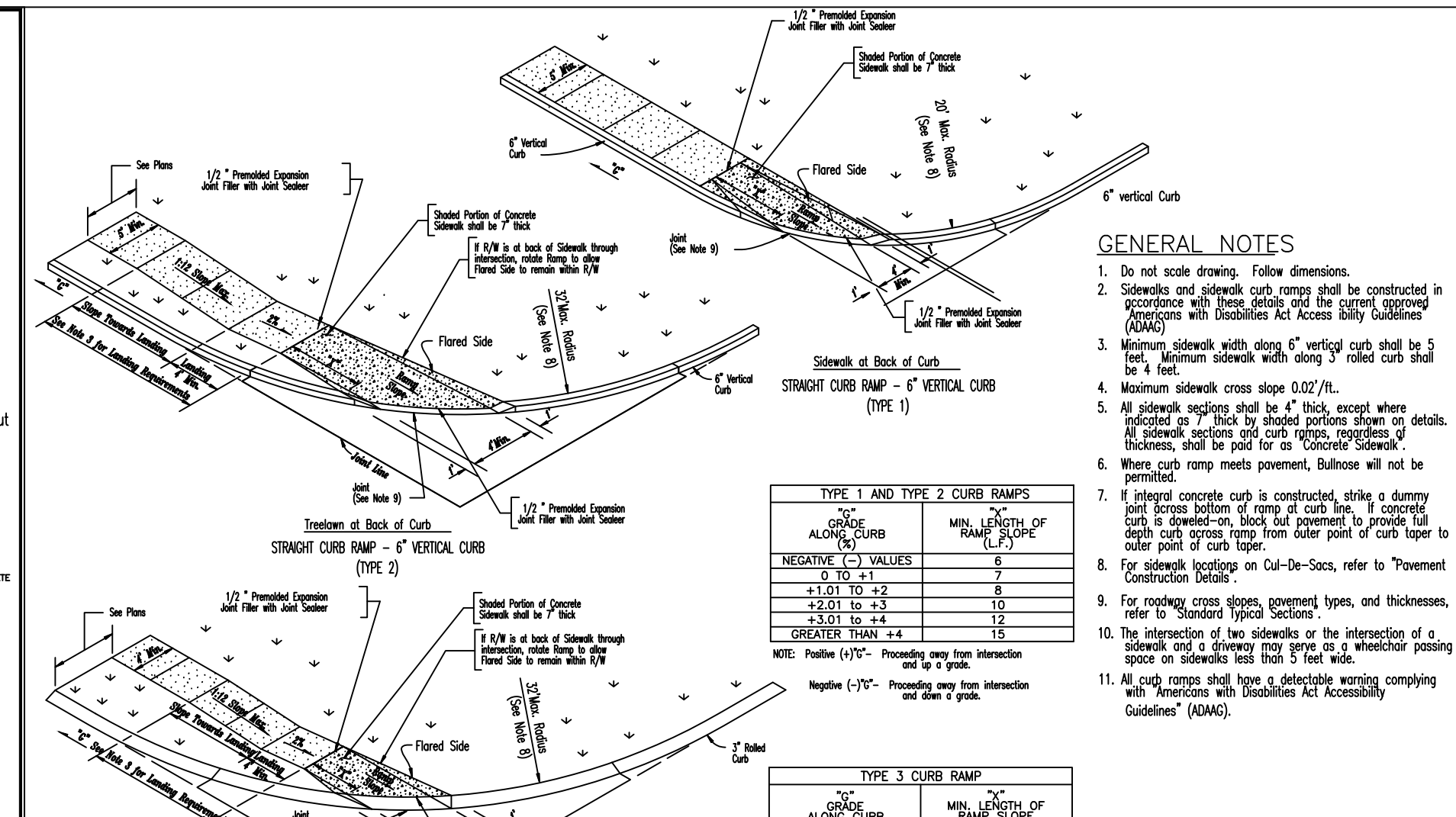


GENERAL NOTES

- If a permit is issued to replace the existing asphalt concrete pavement with full depth bituminous concrete pavement and concrete pavement is found under the existing asphalt concrete pavement, the applicant will be required to follow the Detail for Bituminous Concrete over Concrete Pavement Cut. The applicant will use Durocrete or equivalent to replace the existing concrete and use Type 1 or Type 3 Aggregate Base Course Backfill or Puffball as a subbase. Durocrete sets up in approximately 4 hours at which time the BP-1 Bituminous Concrete Overlay can be applied to the base course.
- If Bituminous Concrete over Concrete Pavement or Concrete Pavement is broken before specifying the pavement full concrete slab replacement will be required.
- Minimum Thickness for Pavement Replacement is:

Concrete (Type 1)	8"
Bituminous (Type 1)	7"
Concrete (Type 2)	9"
Bituminous (Type 2)	8 1/2"



GENERAL NOTES

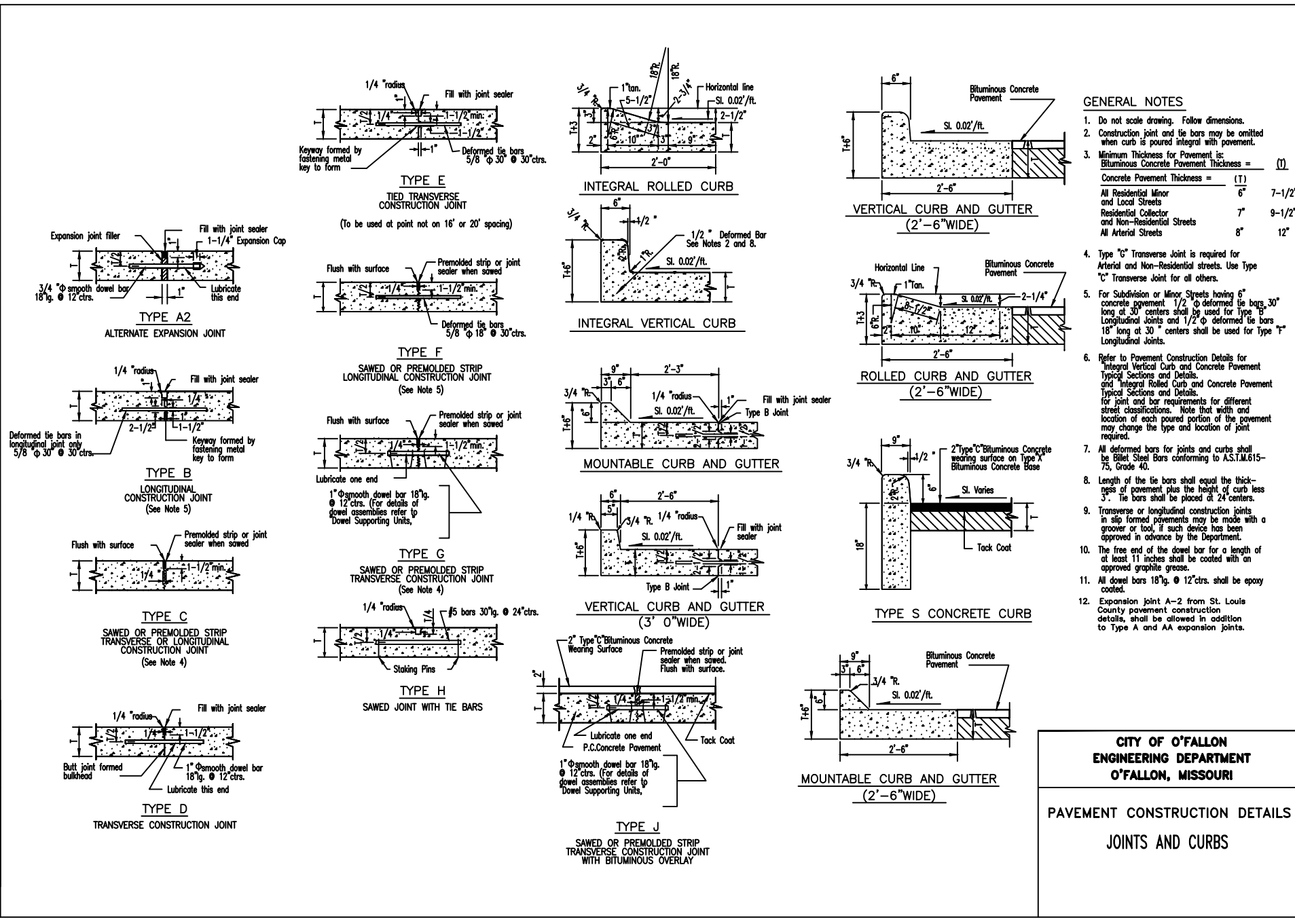
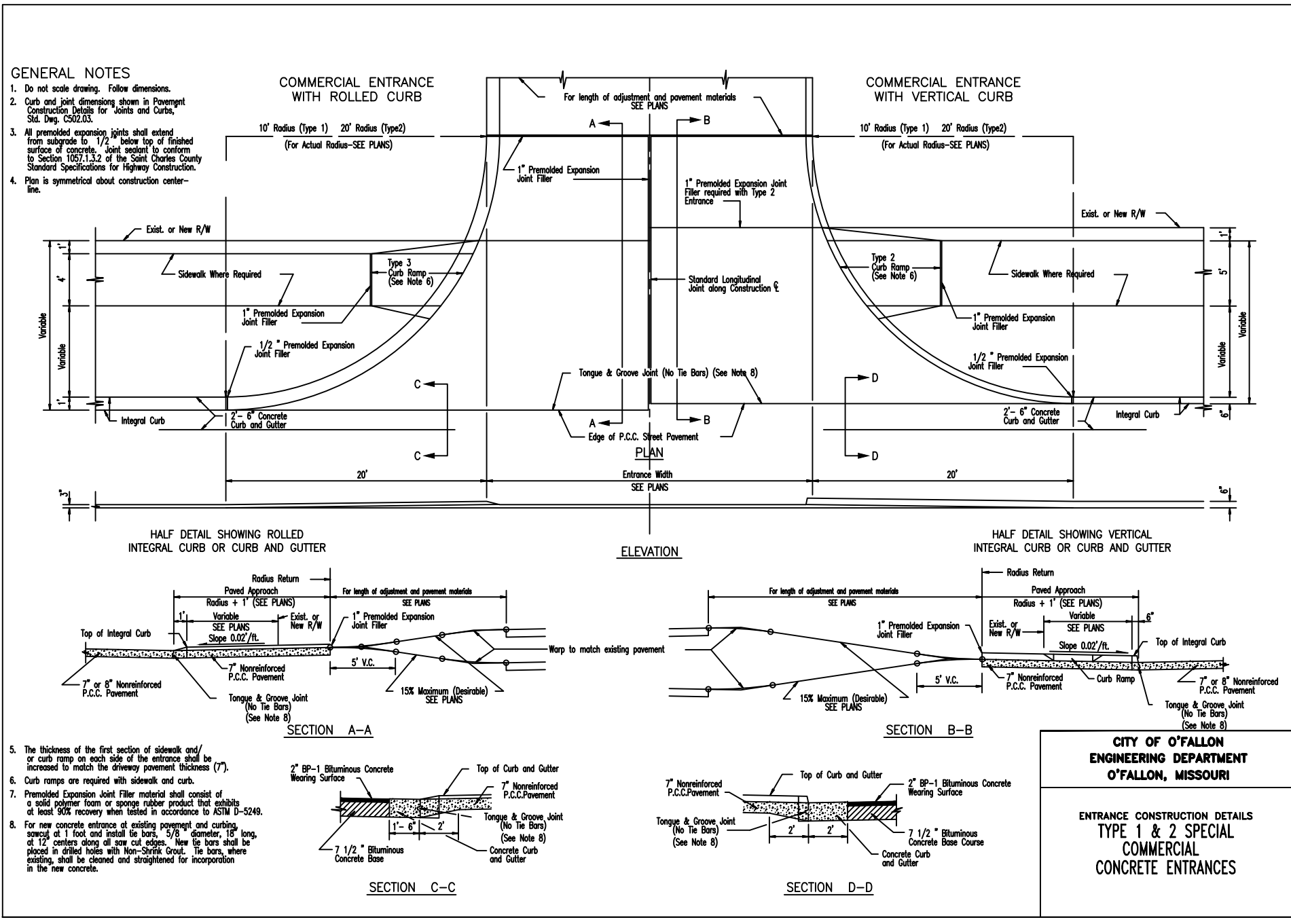
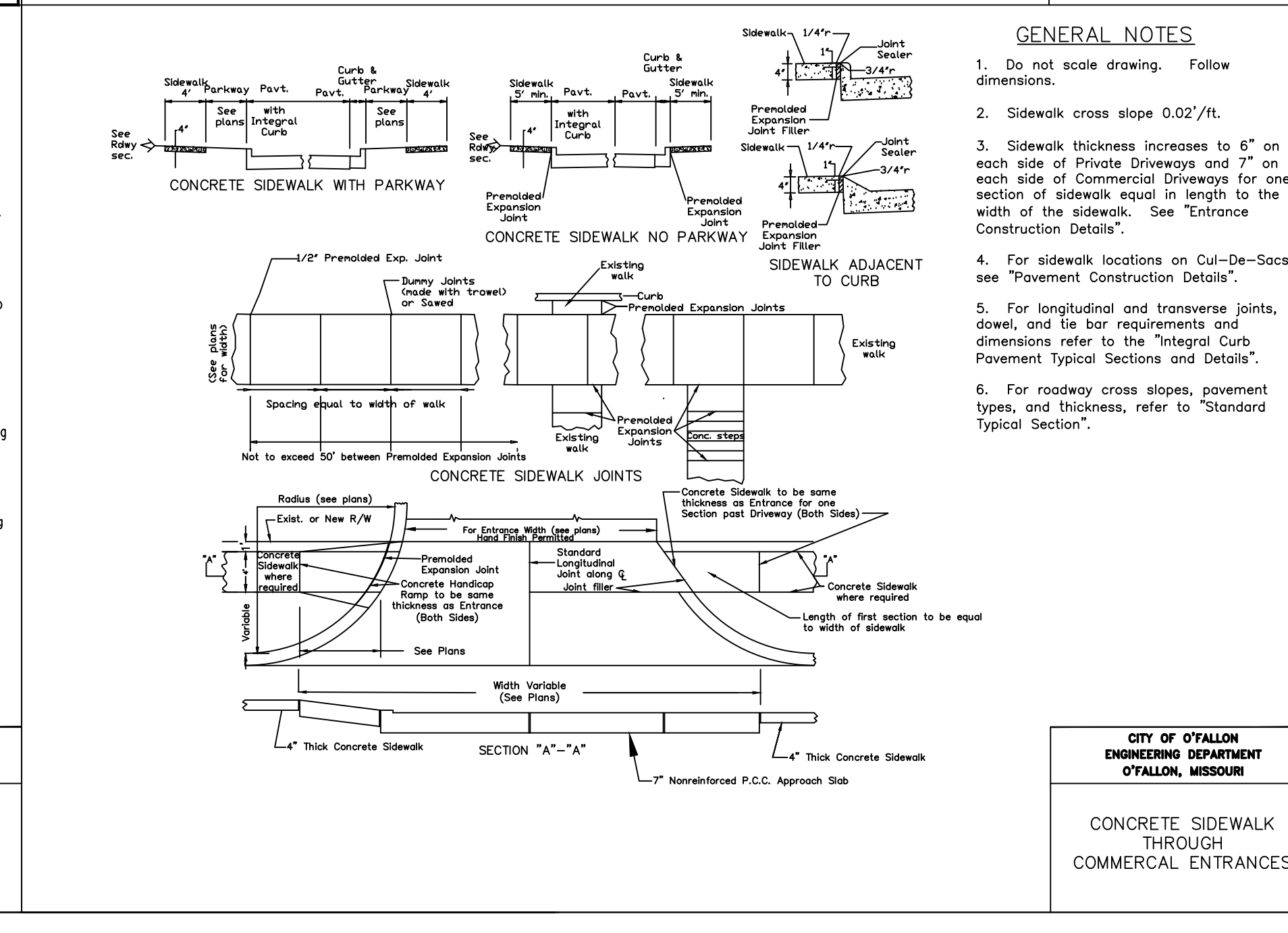
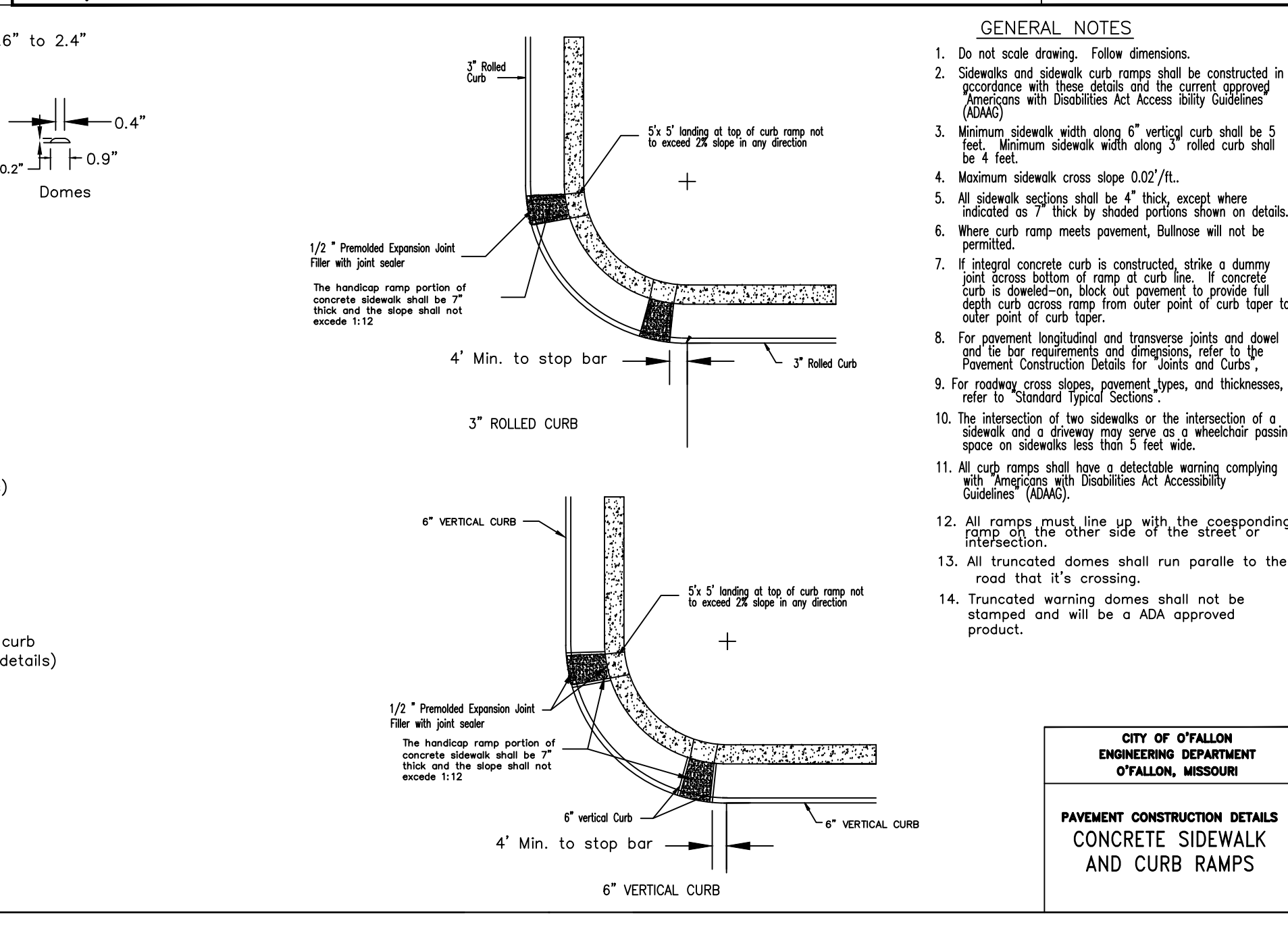
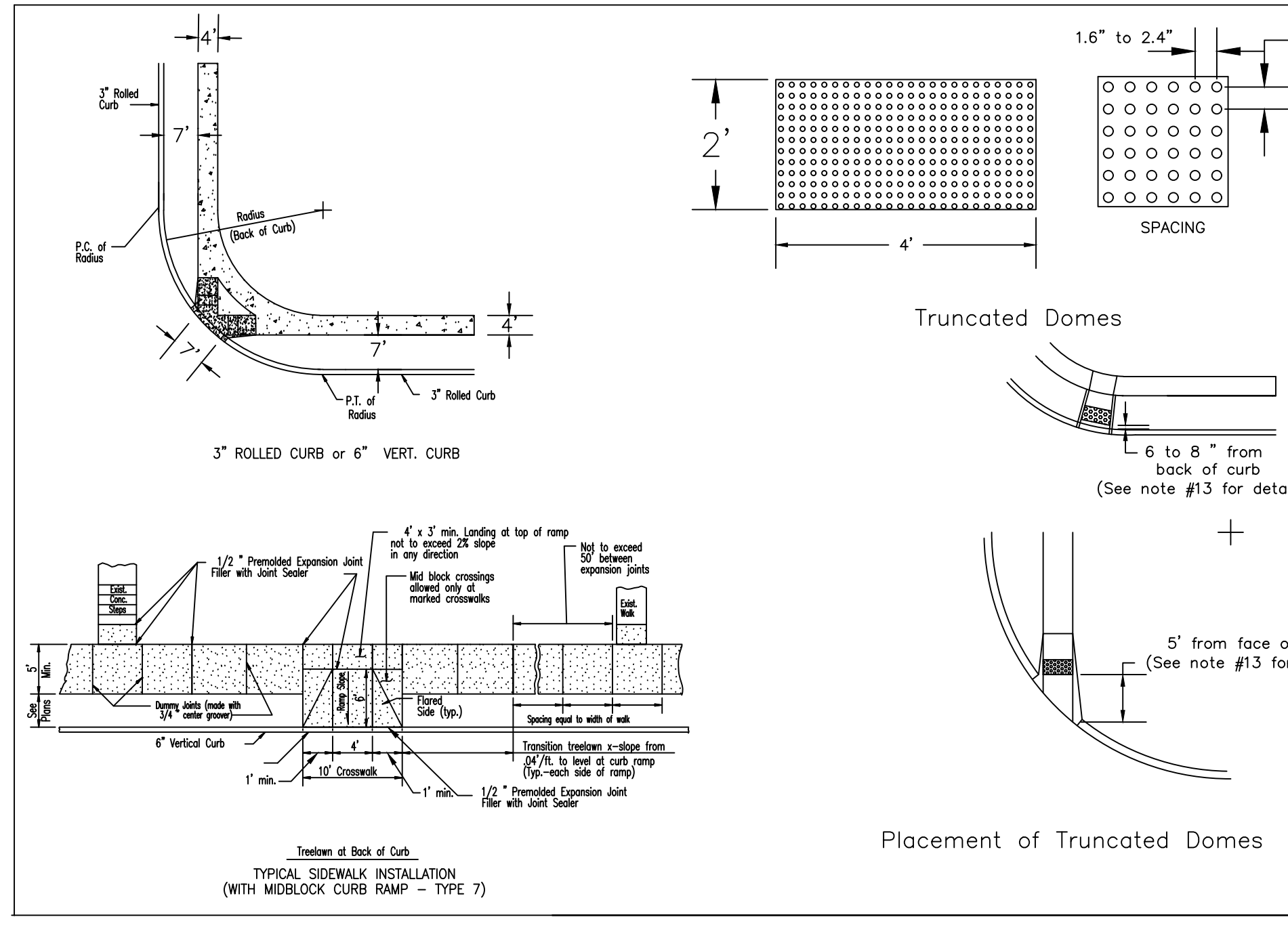
- Do not scale drawing. Follow dimensions.
- Sidewalk and sidewalk curb ramps shall be constructed in accordance with these details and the current approved amendments with Disabilities Act Accessibility Guidelines (ADA).
- Minimum sidewalk width along 6" vertical curb shall be 5 feet. Minimum sidewalk width along 3" rolled curb shall be 4 feet.
- Maximum sidewalk cross slope 0.02%/ft.
- All sidewalk sections shall be 4" thick, except where indicated by a shaded portion shown on details.
- Where curb ramp meets pavement, Bullnose will not be permitted.
- If integral concrete curb is constructed, strike a dummy joint across bottom of ramp at curb line. If concrete curb is down-on-block pavement to provide full depth curb across ramp from outer point of curb taper to outer point of curb taper.
- For roadway cross slopes, pavement types, and thicknesses, refer to Standard Typical Sections.
- The intersection of two sidewalks or the intersection of a sidewalk and a driveway may serve as a wheelchair passing space on sidewalks less than 5 feet wide.
- All curb ramps shall have a detectable warning complying with Americans with Disabilities Act Accessibility Guidelines (ADA).

TYPE 1 AND TYPE 2 CURB RAMPS

GRADE ALONG CURB	MIN. LENGTH OF RAMP (L) (FEET)
0 to +2	3
+2.01 to +3	4
+3.01 to +4	5
+4.01 to +5	6
+5.01 to +6	7
+6.01 to +7	8
+7.01 to +8	9
+8.01 to +9	10
+9.01 to +10	11
+10.01 to +11	12
+11.01 to +12	13
+12.01 to +13	14
+13.01 to +14	15

TYPE 3 CURB RAMP

GRADE ALONG CURB	MIN. LENGTH OF RAMP (L) (FEET)
0 to +2	3
+2.01 to +3	4
+3.01 to +4	5
+4.01 to +5	6
+5.01 to +6	7
+6.01 to +7	8
+7.01 to +8	9
+8.01 to +9	10
+9.01 to +10	11
+10.01 to +11	12
+11.01 to +12	13
+12.01 to +13	14
+13.01 to +14	15



Rev. Per. O'Fallon Comments
 PLAN REVISIONS
 4/26/18
 4/17/18
 3/28/18
 RELOCATE WATER

Comment

Revised	By	Date
1	ST SUB TO CITY OF O'FALLON	6/7/17
2	Rev. Per. O'Fallon Comments	8/3/17
3	Rev. Per. O'Fallon Comments	9/28/17
4	Rev. Per. Modot comments	10/27/17
5	Rev. Per. city comments	9/29/17
6	Rev. Per. O'Fallon comments	11/25/17
7	Reverse sidewalk on Autocore	2/22/18

Missouri Office
 5020 Collins Rd.
 St. Louis, Missouri 63128
 Telephone: (314) 486-9193
 Fax: (314) 486-1718

DOERING ENGINEERING
 CIVIL ENGINEERING • PLANNING • SURVEYING

Seal

STATE OF MISSOURI
 MARK A. DOERING
 PROFESSIONAL ENGINEER
 E-23059

4/26/18

MARK A. DOERING
 CIVIL ENGINEER E-23059

4/26/18
 MO. EXPIRATION DATE:
 DECEMBER 31 2018
 IL. EXPIRATION DATE:
 APRIL 30 2019
 MO. CORPORATE
 LICENSE NO. 001947
 CORPORATE
 LICENSE NO. 184.003305

BLUE IGUANA CAR WASH
 1008 HIGHWAY K
 O'FALLON, MO 63366

DETAILS

Date: 6/7/17
 Project Number: 16028
 File Name: 16028_CD2
 Drawn By: JAB
 Sheet
 Check By: MAD

C12