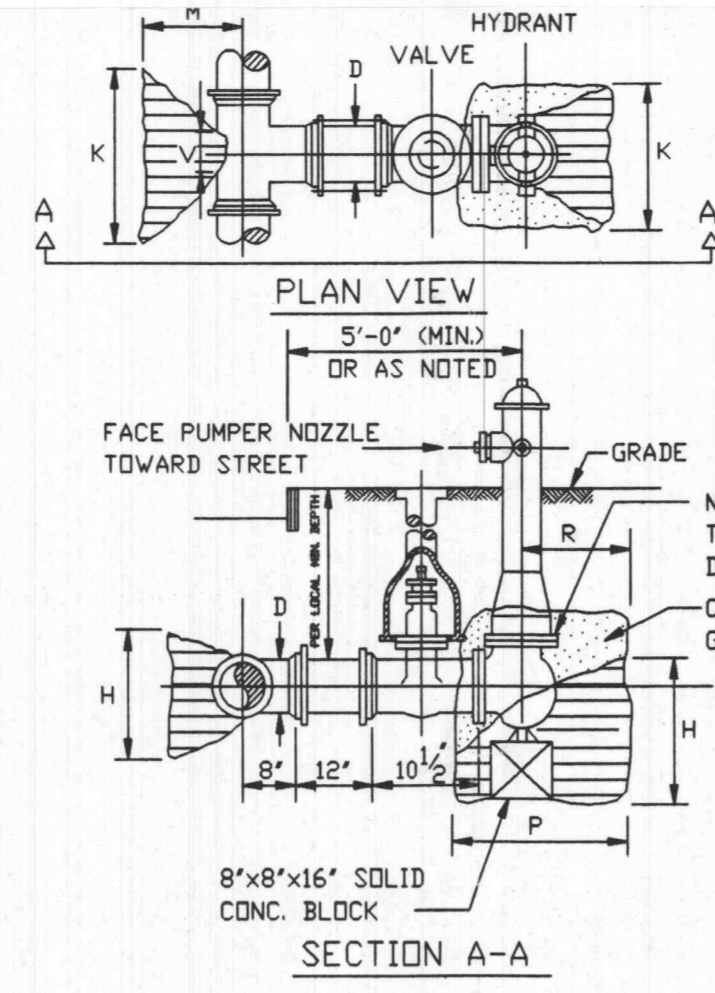


**HORIZONTAL BLOCKING TABLE**

PIPE SIZE	PLUGS & TEES	90° BENDS	5° BENDS	22° 30' BENDS	11° 15' BENDS
DM.	"A"	"B"	"C"	"D"	"E"
4"	1'-0"	1'-0"	1'-0"	1'-0"	1'-0"
6"	1'-0"	1'-0"	1'-0"	1'-0"	1'-0"
8"	1'-0"	1'-0"	1'-0"	1'-0"	1'-0"
10"	1'-0"	1'-0"	1'-0"	1'-0"	1'-0"
12"	1'-0"	1'-0"	1'-0"	1'-0"	1'-0"
14"	1'-0"	1'-0"	1'-0"	1'-0"	1'-0"
16"	1'-0"	1'-0"	1'-0"	1'-0"	1'-0"
18"	1'-0"	1'-0"	1'-0"	1'-0"	1'-0"
20"	1'-0"	1'-0"	1'-0"	1'-0"	1'-0"
24"	1'-0"	1'-0"	1'-0"	1'-0"	1'-0"

\* CALCULATIONS IN MIN. AREA COLUMN ARE IN SQ. FT.  
\* CALCULATIONS IN MAX. AREA COLUMN ARE IN CUBIC YARDS.

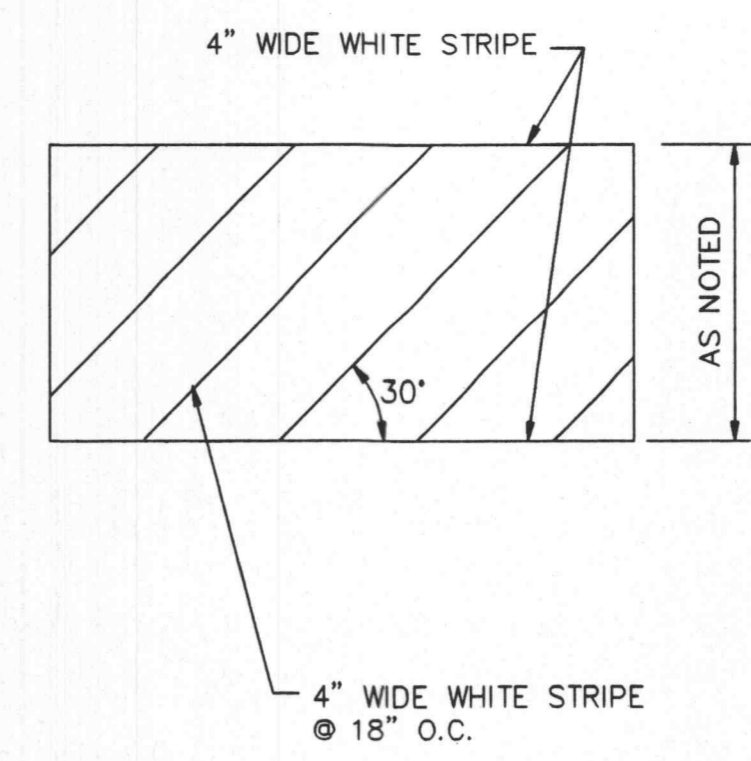
15 THRUST BLOCK DETAILS  
SCALE: N.T.S. REF. DWG. C2.0



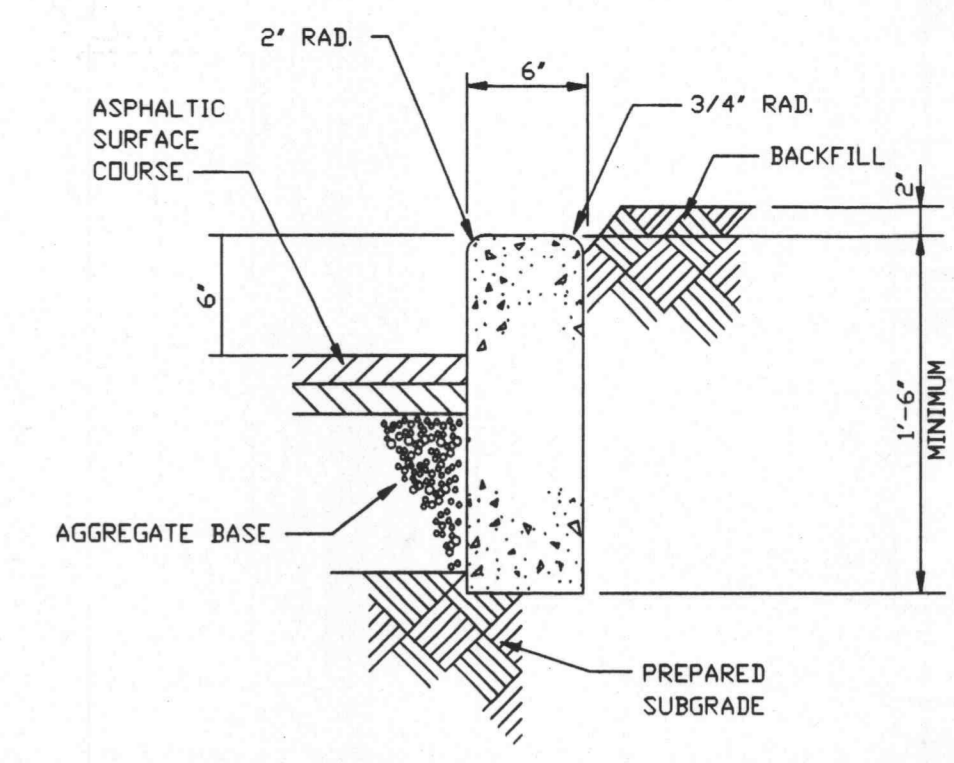
**FIRE HYDRANT DETAILS**

PIPE SIZE	B	K	V	H	P	R
4"	26	4	14	14	26	21
6"	26	4	14	14	26	21
8"	26	4	14	14	26	21

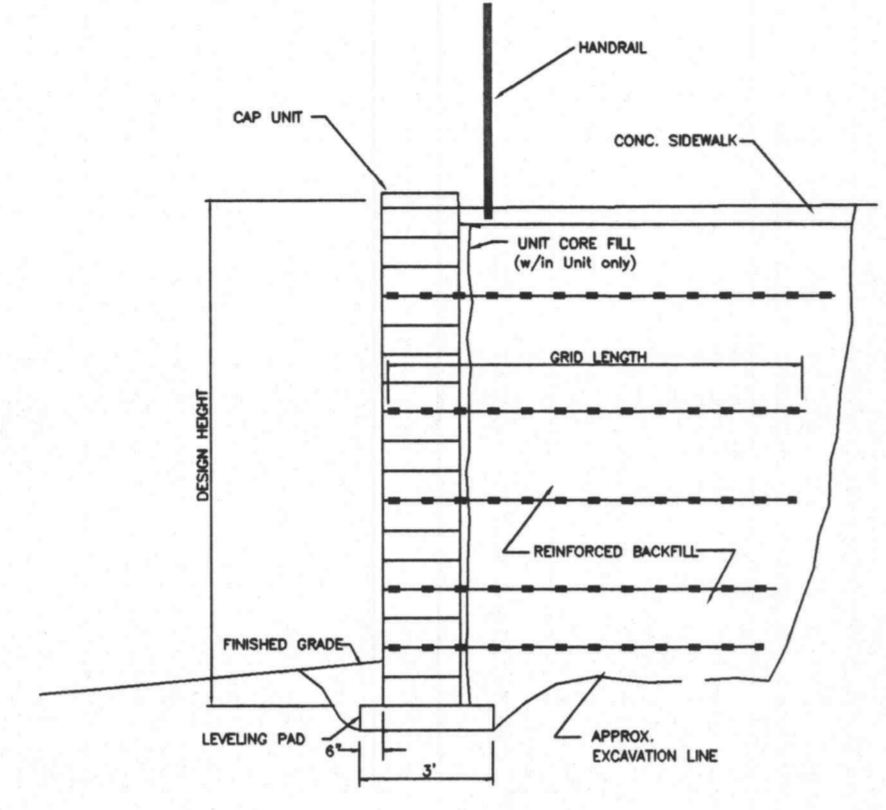
11 FIRE HYDRANT DETAIL  
SCALE: N.T.S. REF. DWG. C2.0



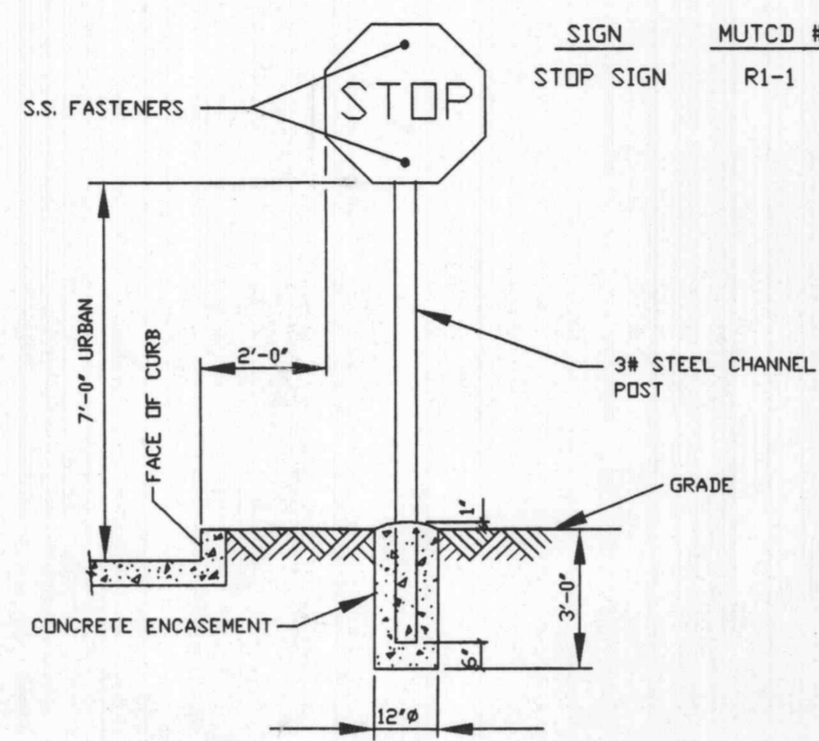
7 PAINTED ISLAND DETAIL  
SCALE: N.T.S. REF. DWG. C3.0



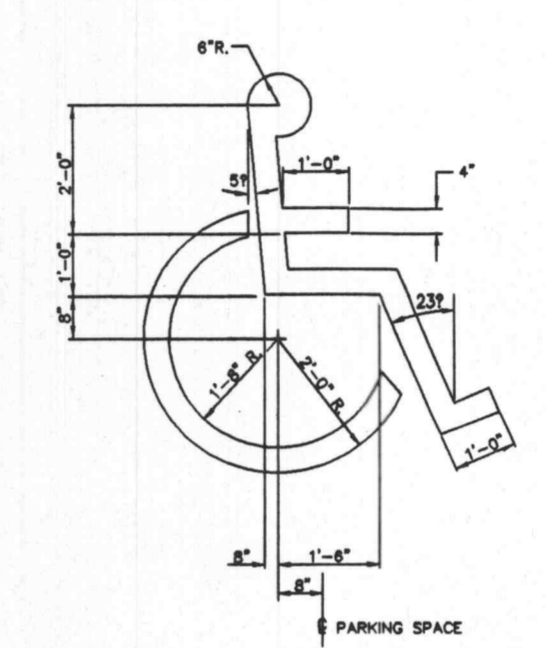
3 CONCRETE CURB DETAIL  
SCALE: N.T.S. REF. DWG. C3.0



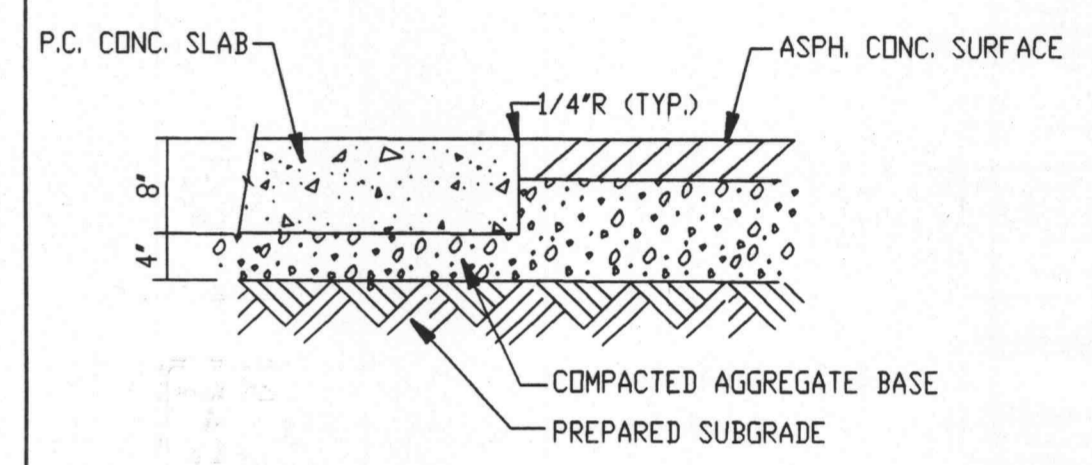
14 VERTICAL RETAINING WALL DETAIL  
SCALE: N.T.S. REF. DWG. C3.0



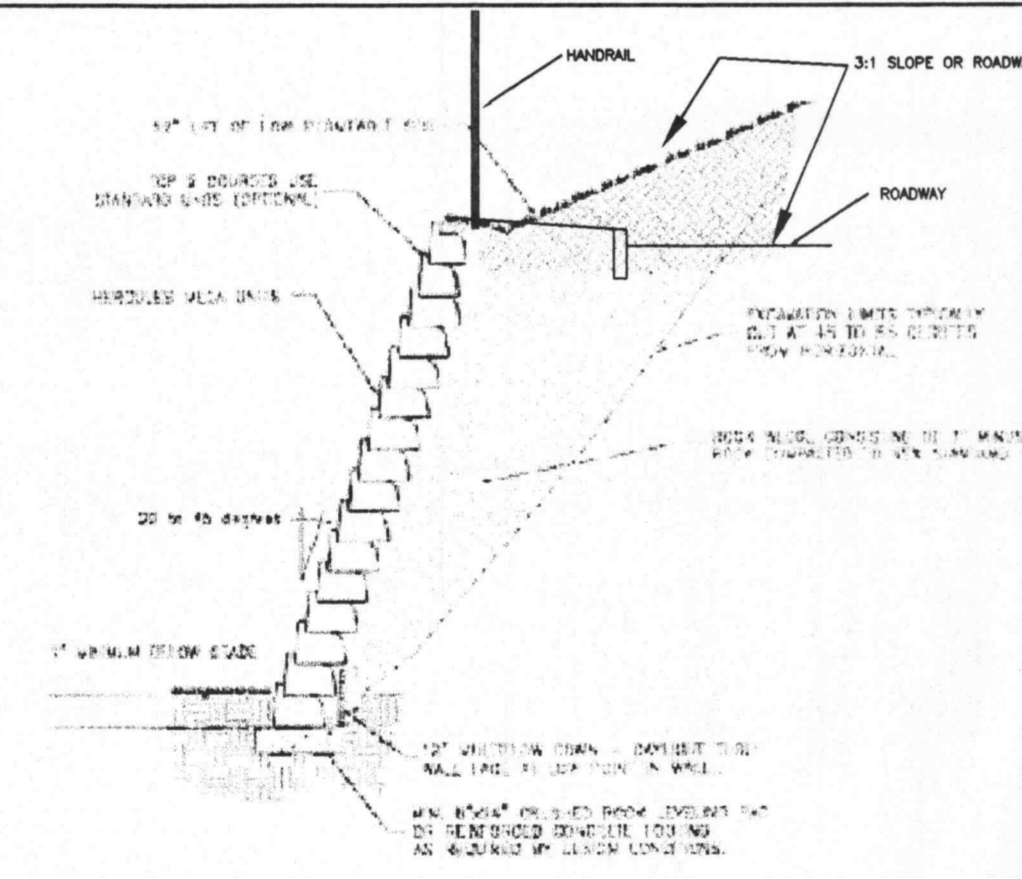
10 STOP SIGN DETAIL  
SCALE: N.T.S. REF. DWG. C3.0



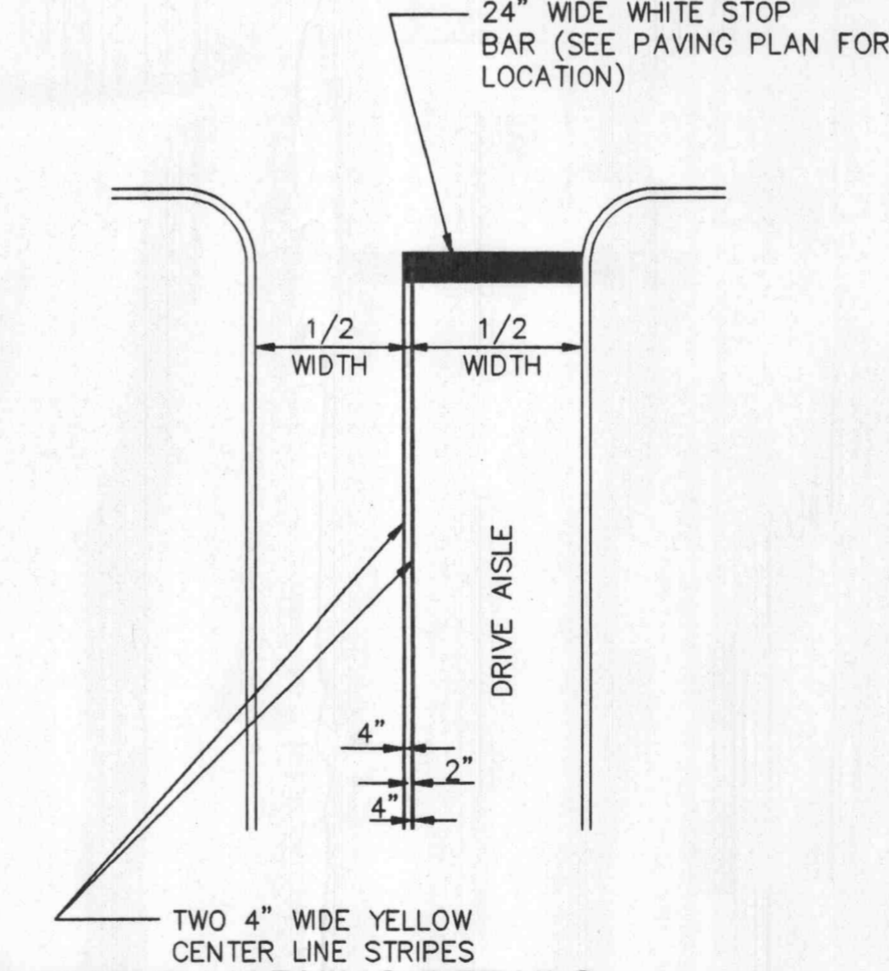
6 PAINTED HANDICAP SYMBOL DETAIL  
SCALE: N.T.S. REF. DWG. C3.0



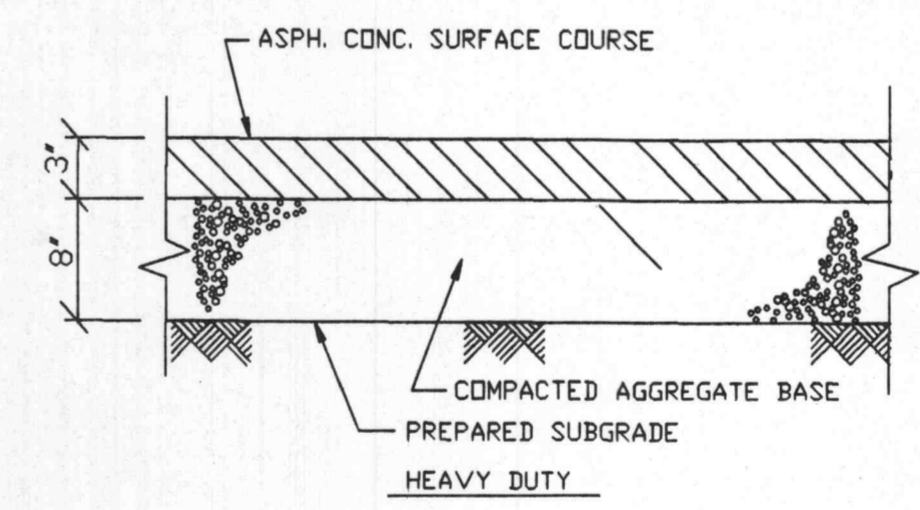
2 CONC. PAVING & TRASH ENCL. SLAB  
SCALE: N.T.S. REF. DWG. C3.0



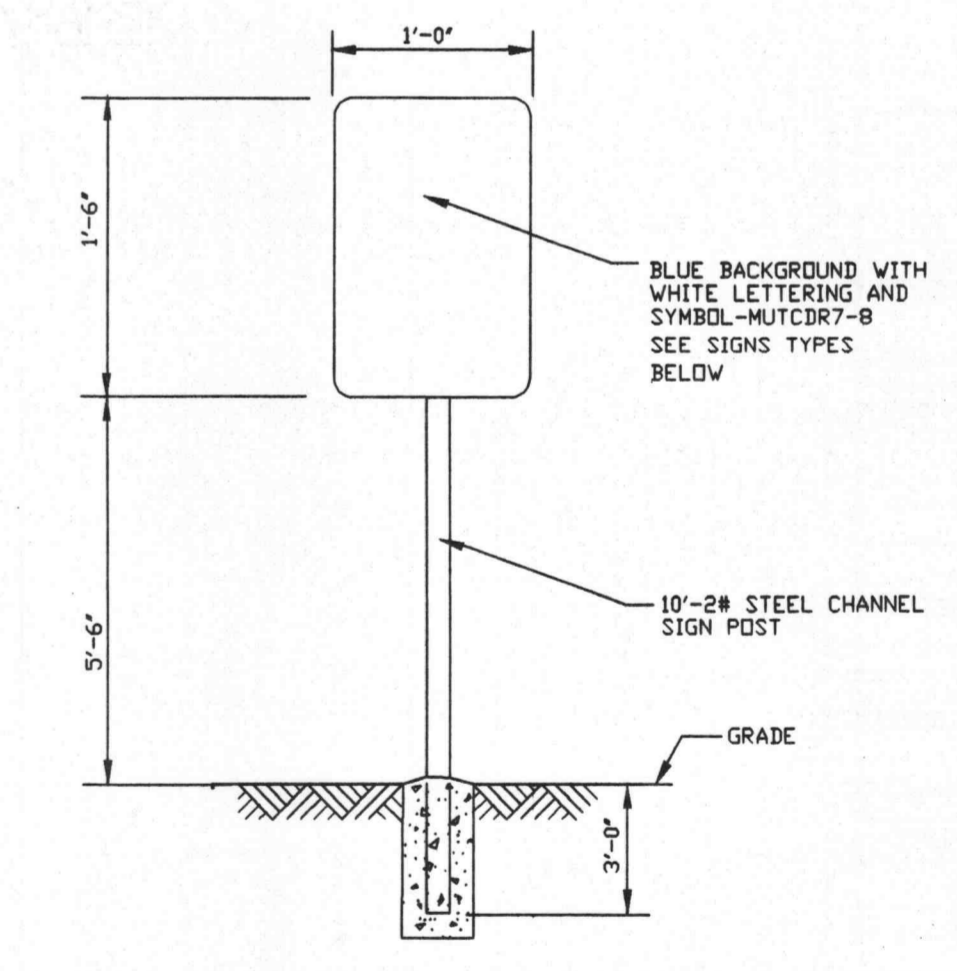
13 VEGETATED WALL DETAIL  
SCALE: N.T.S. REF. DWG. C3.0



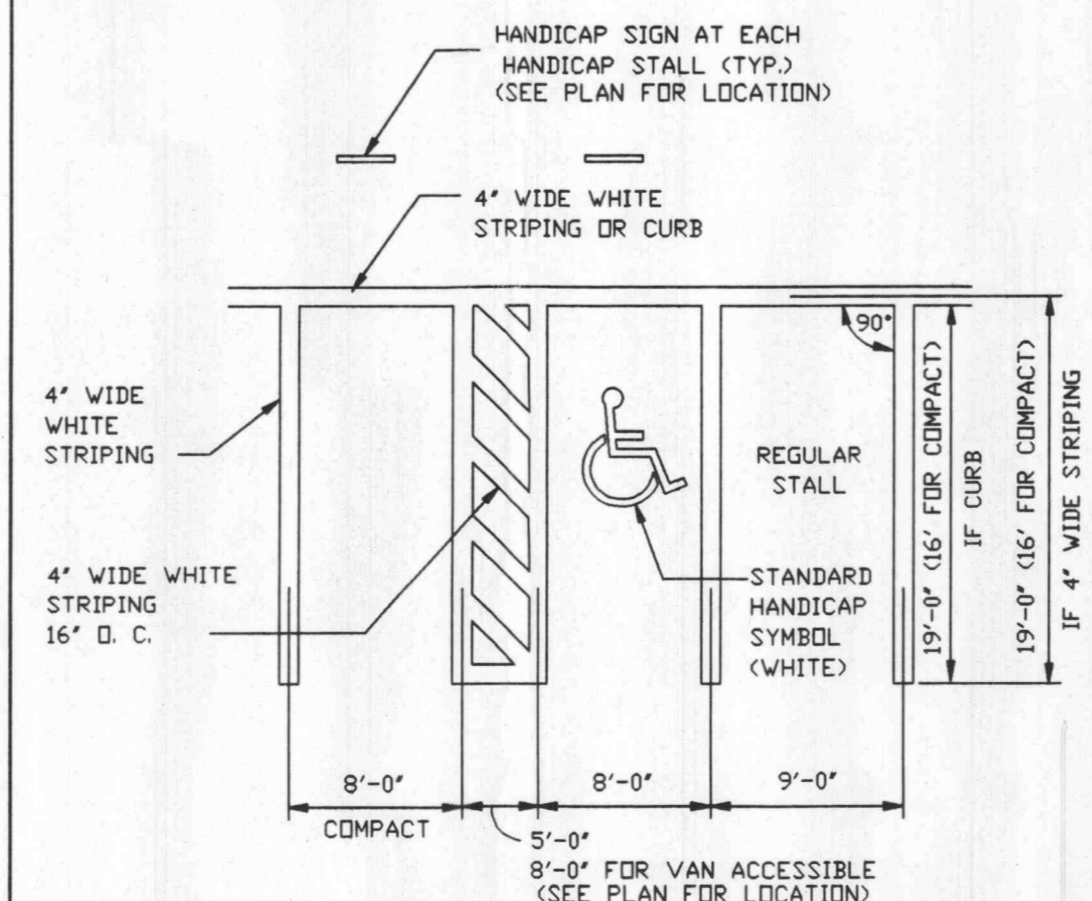
9 PAVEMENT MARKING DETAILS  
SCALE: N.T.S. REF. DWG. C3.0



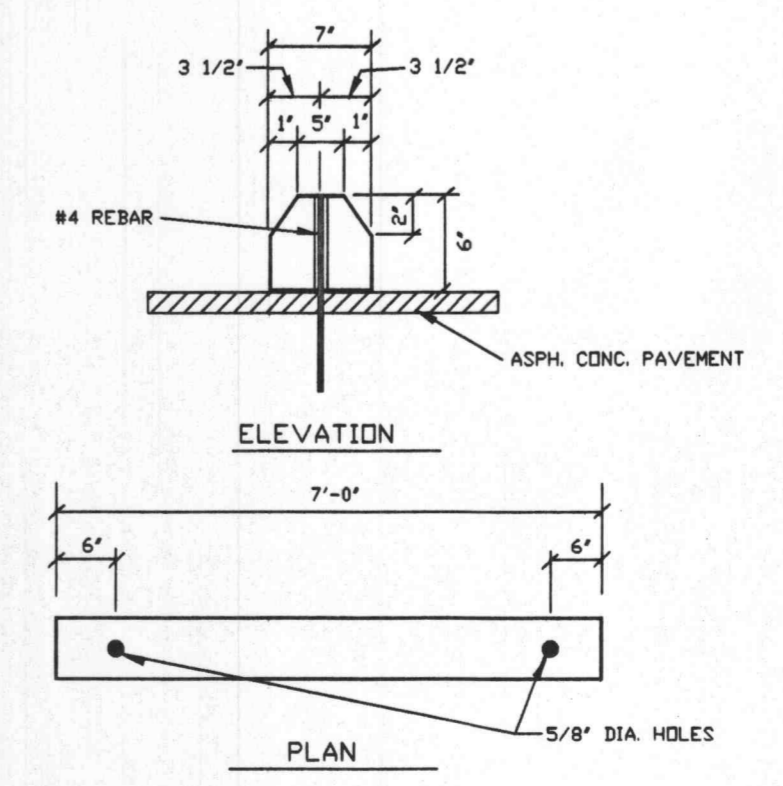
5 ASPHALT PAVEMENT DETAIL  
SCALE: N.T.S. REF. DWG. C3.0



1 'VAN ACCESSIBLE HANDICAPPED PARKING' SIGN DETAIL  
SCALE: N.T.S. REF. DWG. C3.0



8 PARKING STALL DETAIL  
SCALE: N.T.S. REF. DWG. C3.0



4 PRECAST CONC. WHEEL STOP DETAIL  
SCALE: N.T.S. REF. DWG. C3.0



1 HANDICAP SIGN DETAIL  
SCALE: N.T.S. REF. DWG. C3.0

**ACI BOLLARD INC.**  
11477 Olda Cahill Road, Suite 100  
St. Louis, Missouri 63141  
314.821.2222 Fax  
314.821.8222

**SUTTLE MINDLIN**  
23 NORTH BEMISTON  
SAINT LOUIS  
MISSOURI 63105  
314.727.9296  
314.727.9699 FAX

**OWNER**  
McEagle Development  
**GENERAL CONTRACTOR**  
Paric Corporation  
**DESIGN ARCHITECT**  
Suttle Mindlin  
**ARCHITECT OF RECORD**  
ACI/Bollard, Inc.  
**CIVIL ENGINEER**  
Cole & Associates  
**LANDSCAPE ARCHITECT**  
Loomis Associates  
**STRUCTURAL ENGINEER**  
Alger Audi, Inc.  
**MECHANICAL CONTRACTOR**  
Murphy Company  
**PLUMBING CONTRACTOR**  
Kyn Company  
**ELECTRICAL CONTRACTOR**  
PayneCrest Electric  
**FIRE SPRINKLER CONTRACTOR**  
Fire Protection Systems, Inc.  
**CODE CONSULTANT**  
Code Consultants, Inc.

Family of Companies

**BOARDWALK CORPORATE CENTER**  
O'Fallon, Missouri

**WINGHAVEN® Phase III**  
Village K

Revisions

NUMBER	DATE	DESCRIPTION
1	2/21/01	SHEET SIZE

DAVID PAUL WEHMEYER  
REGISTERED PROFESSIONAL ENGINEER  
NUMBER E-15763

Date  
Job Number 00-107  
Drawn By JF  
Drawing File DET.DWG  
Plot Scale 1/4"

**C5.0**

SITE DETAILS