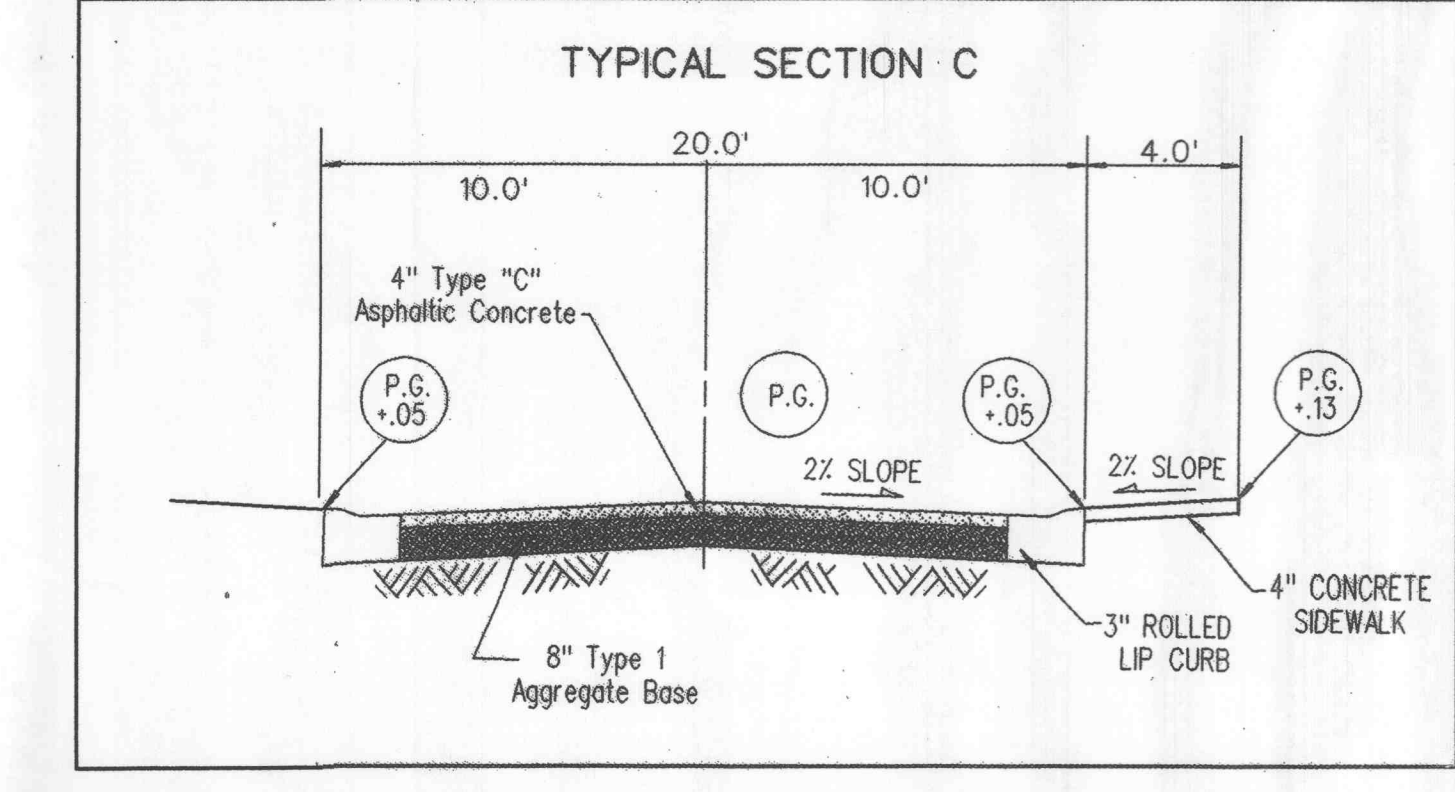
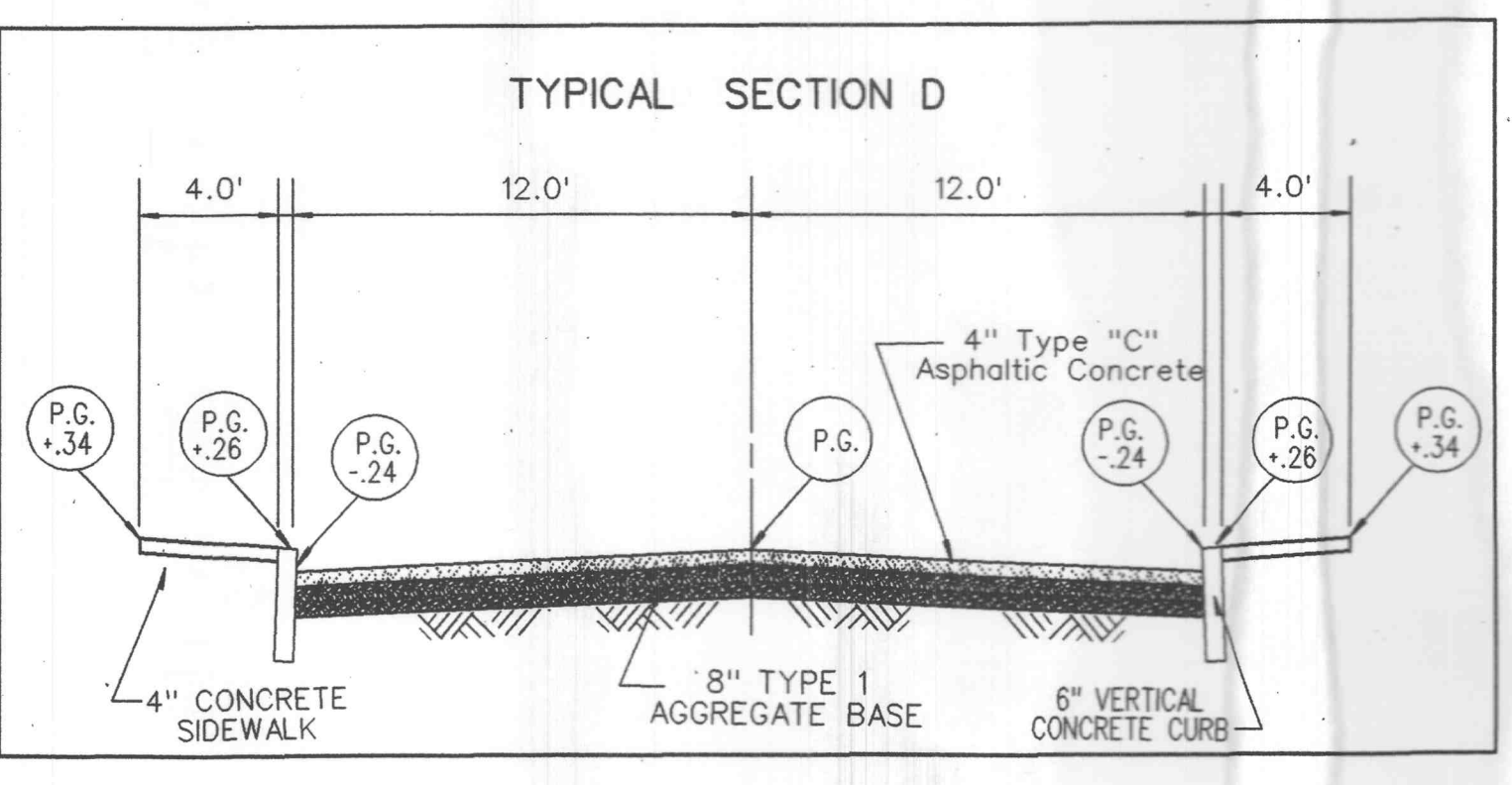
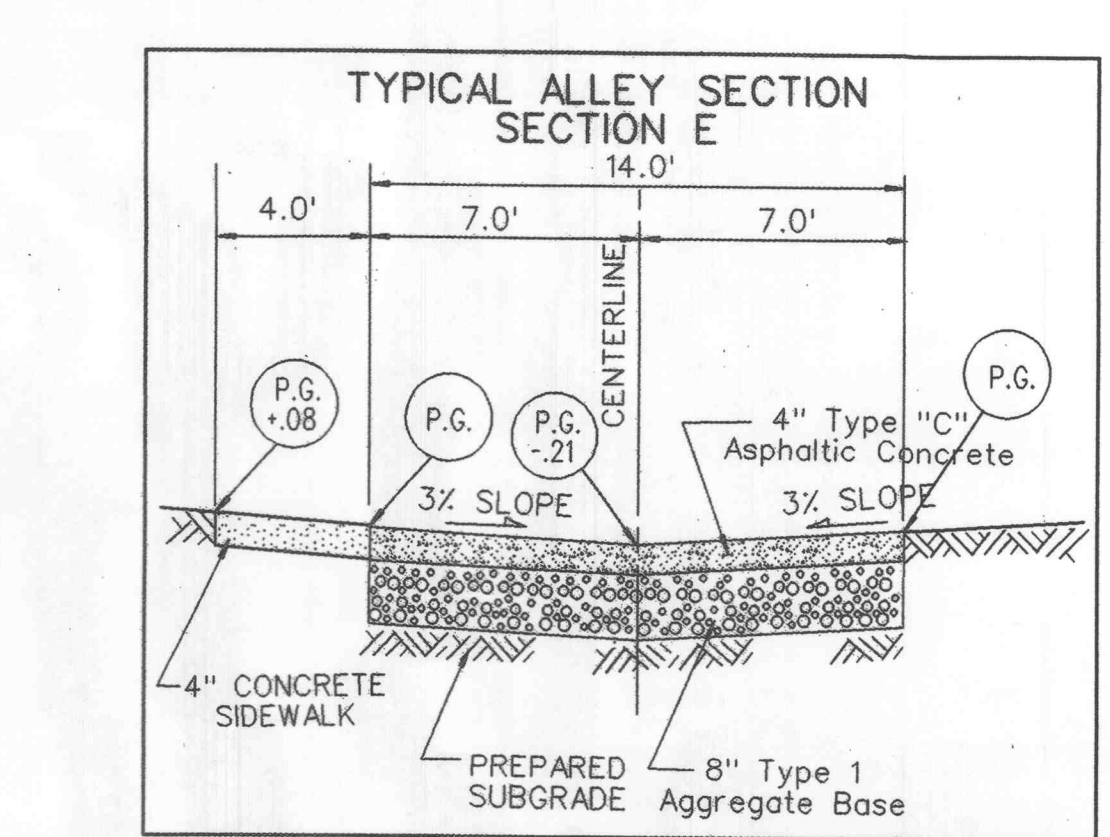
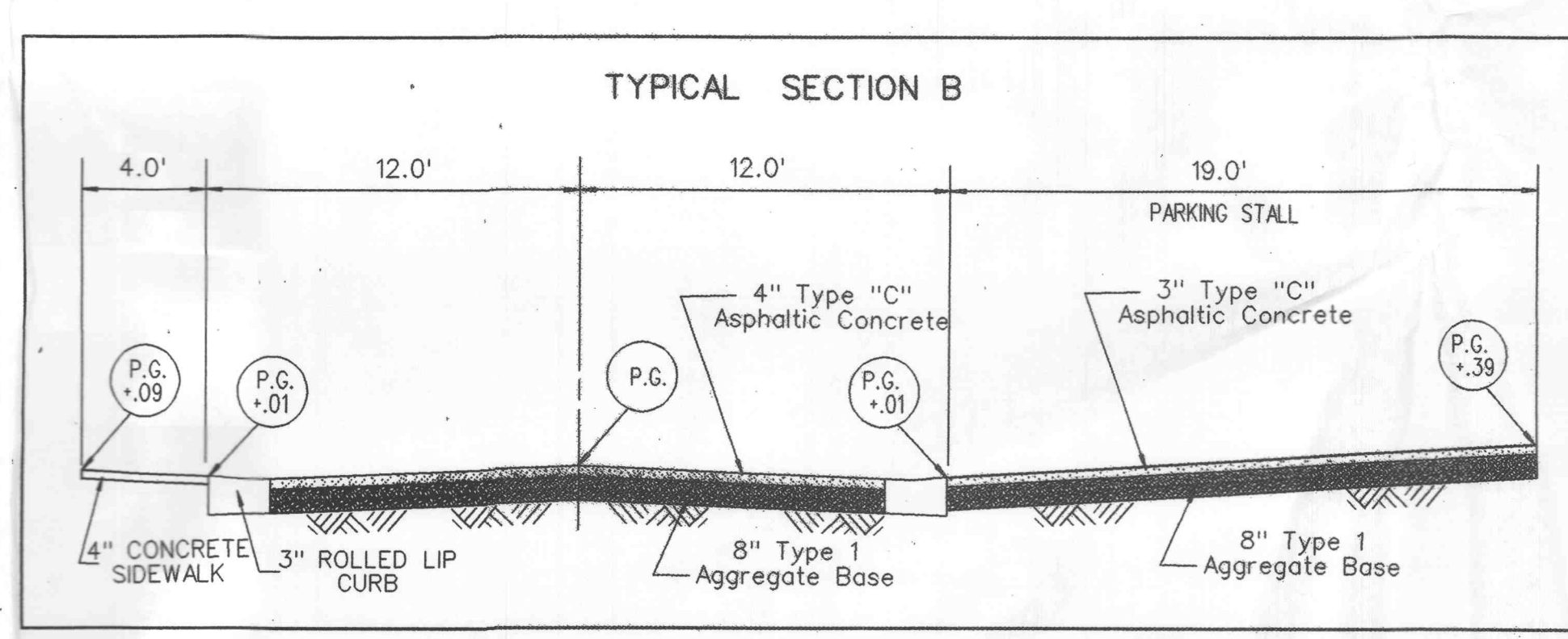
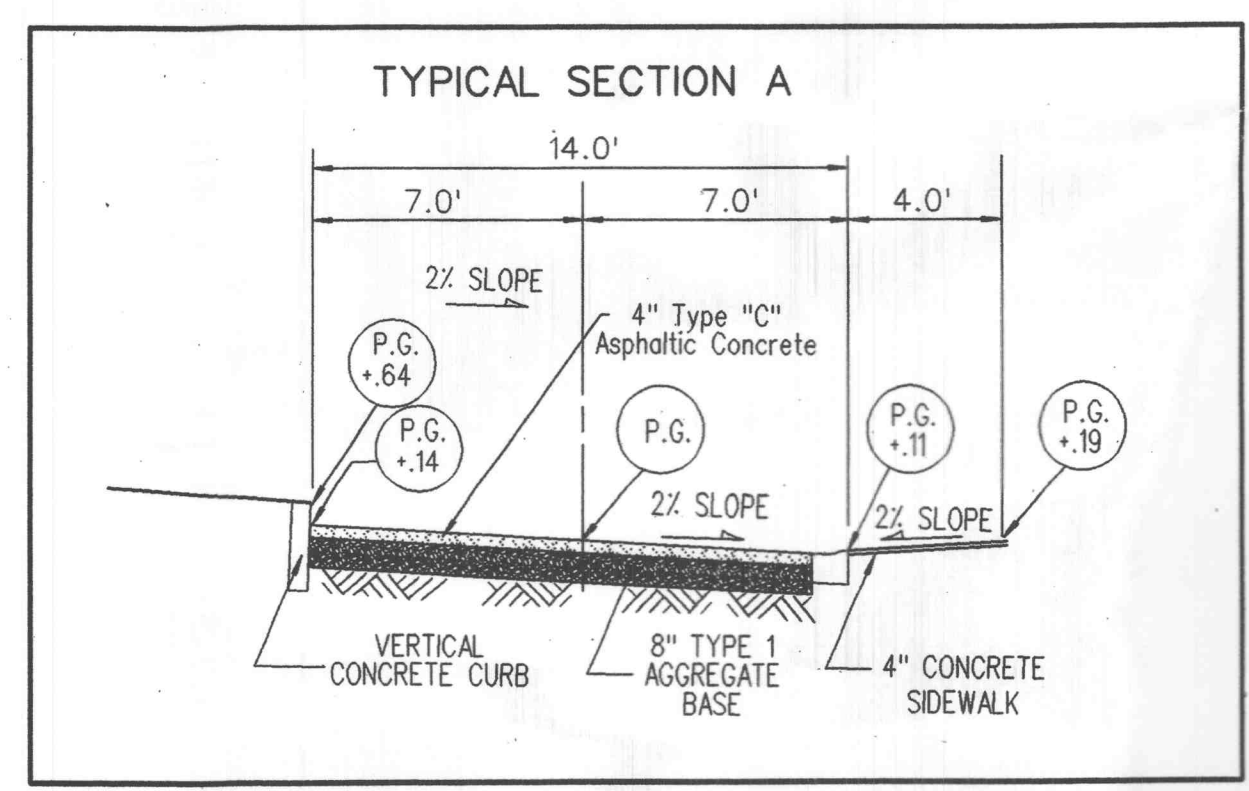
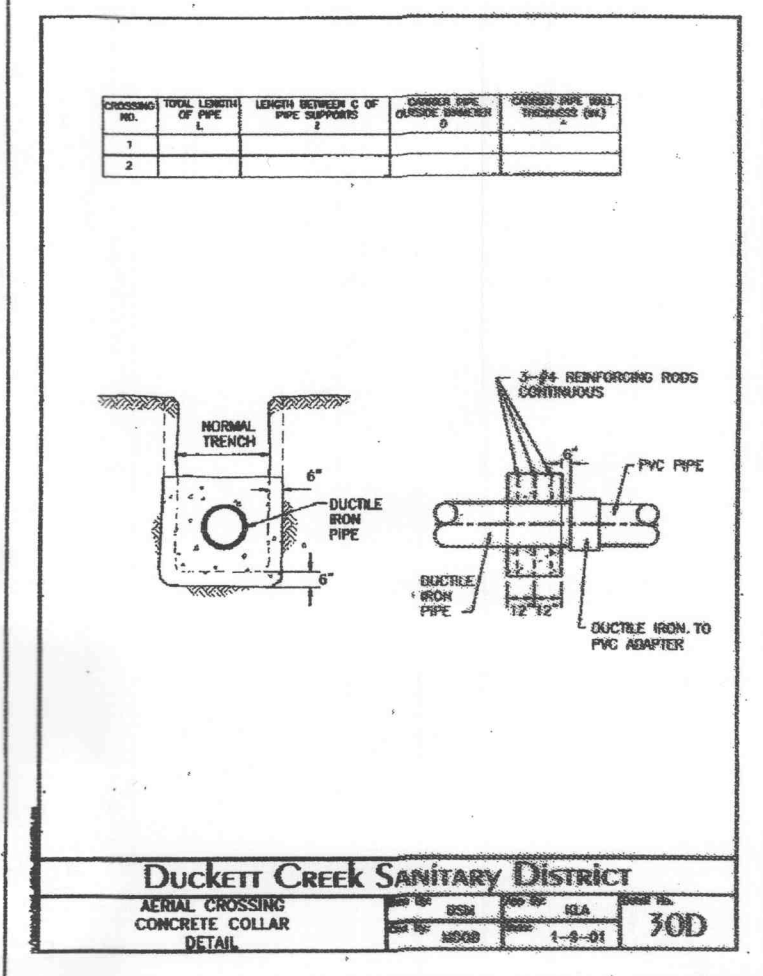
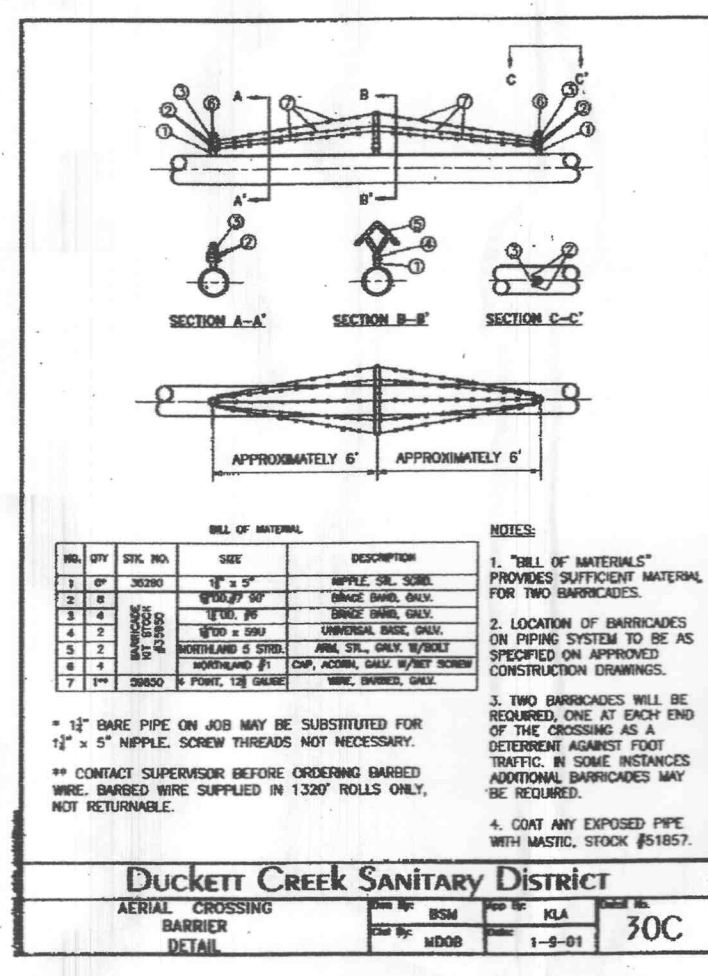
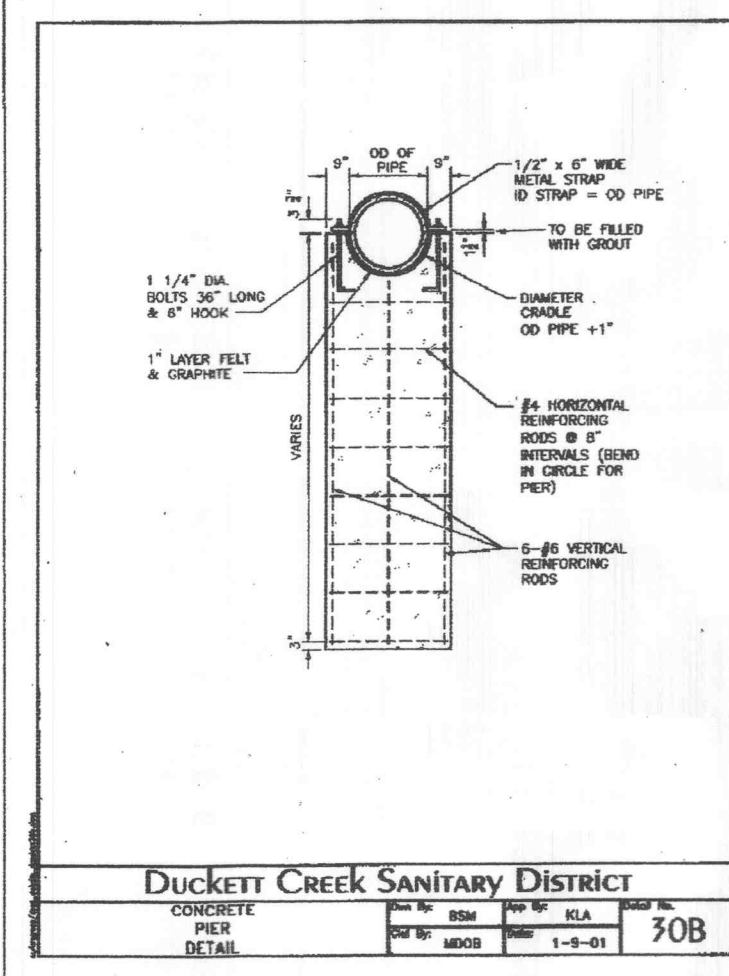
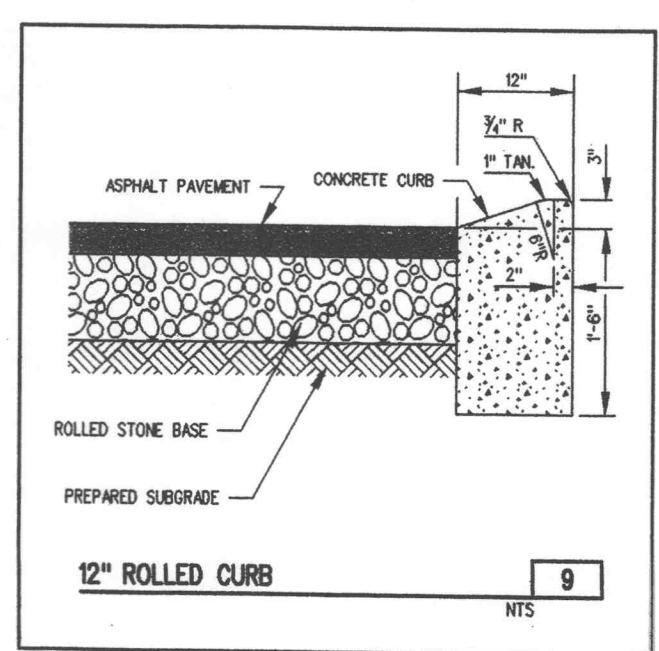
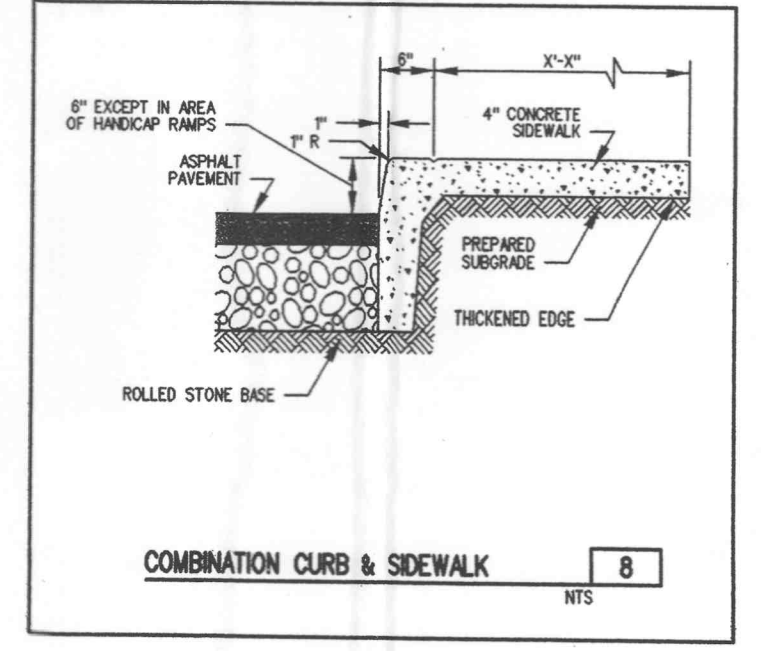
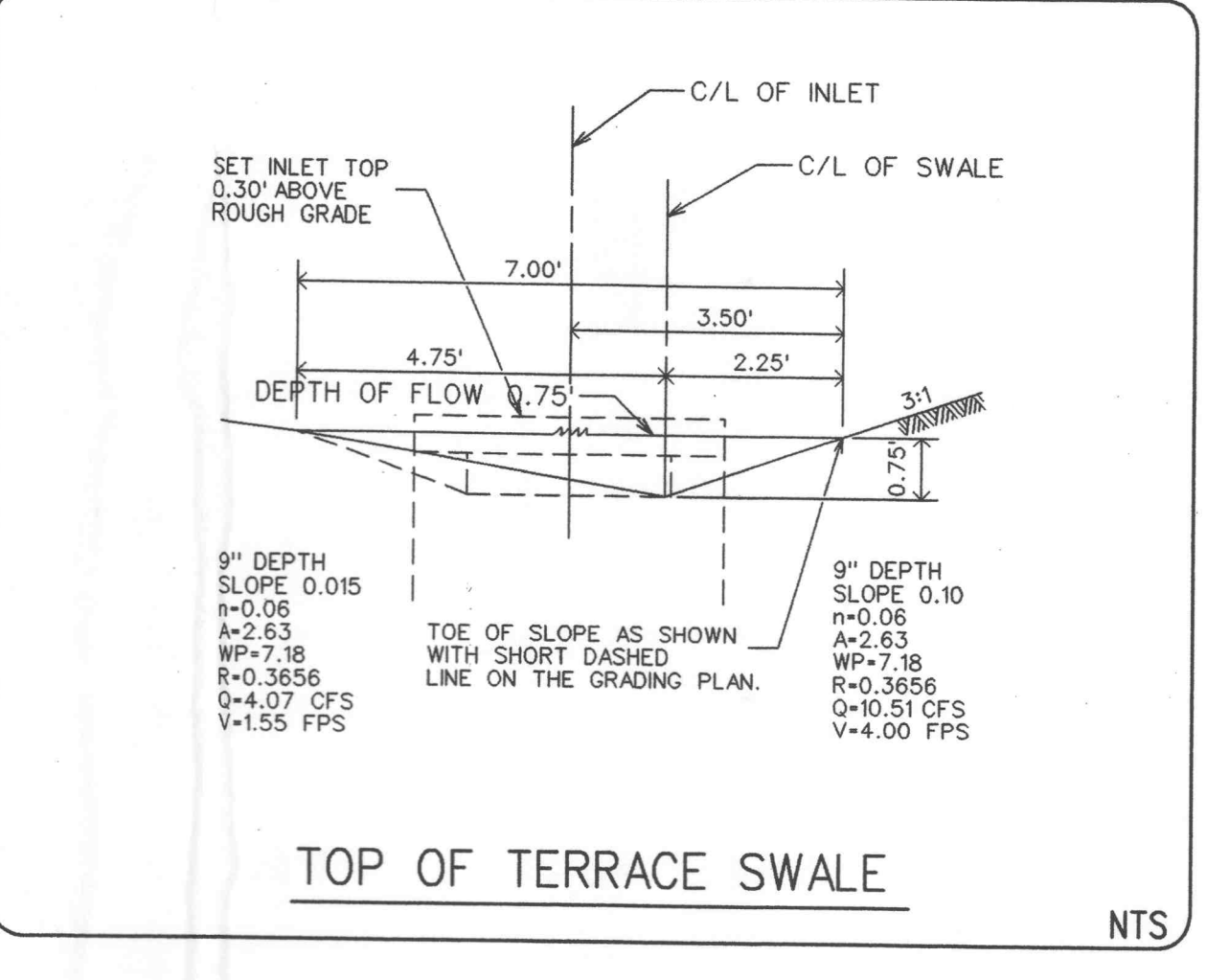
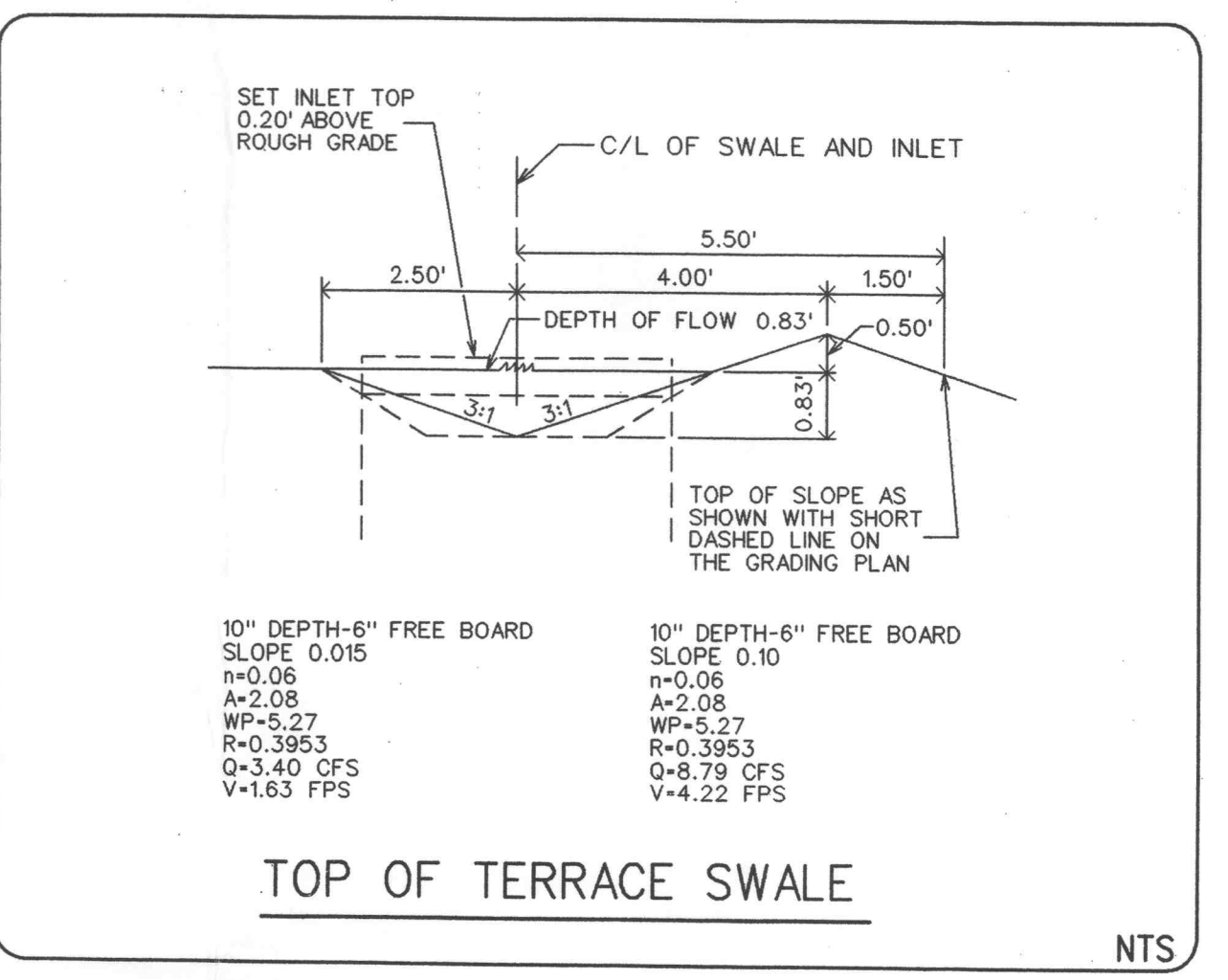
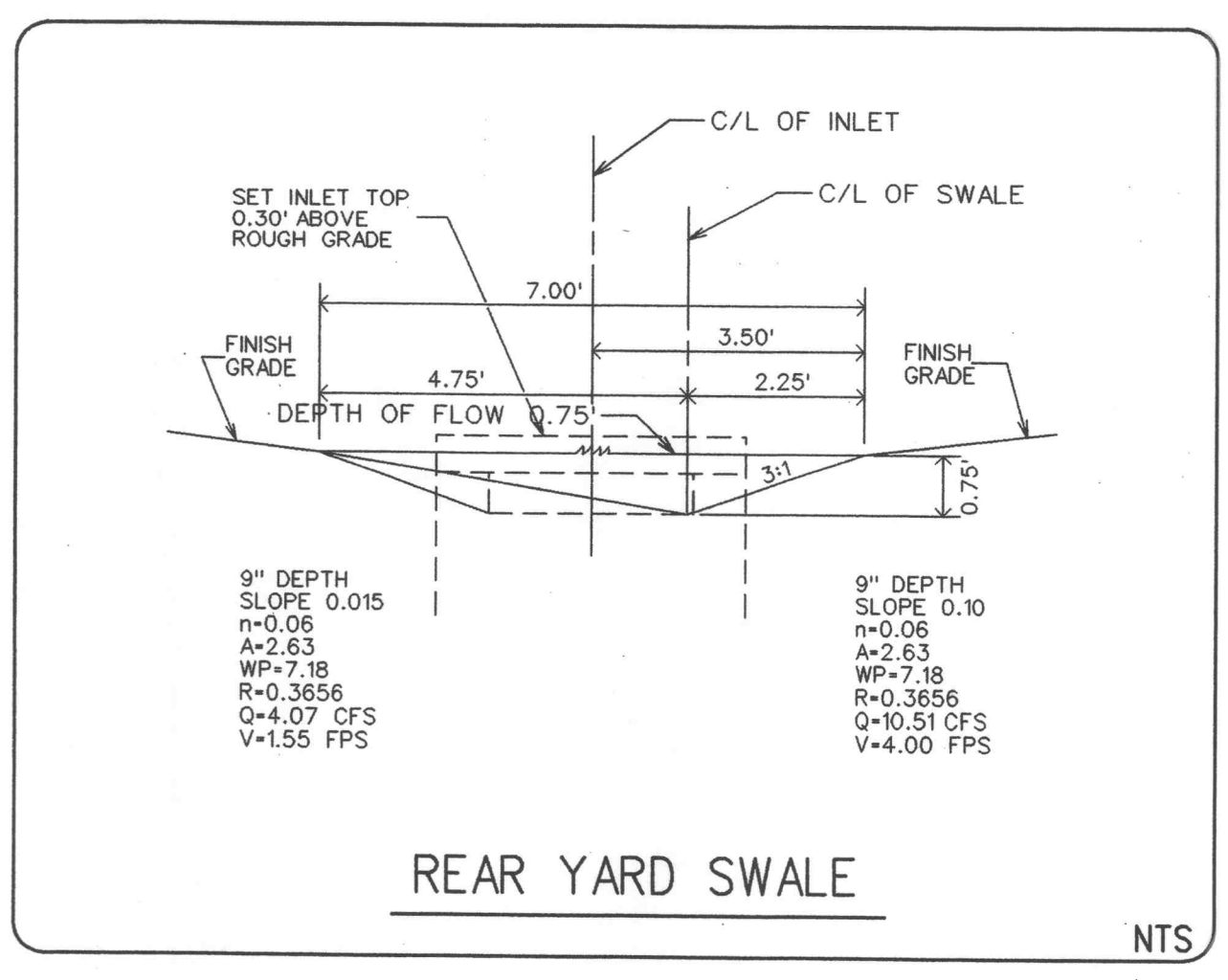
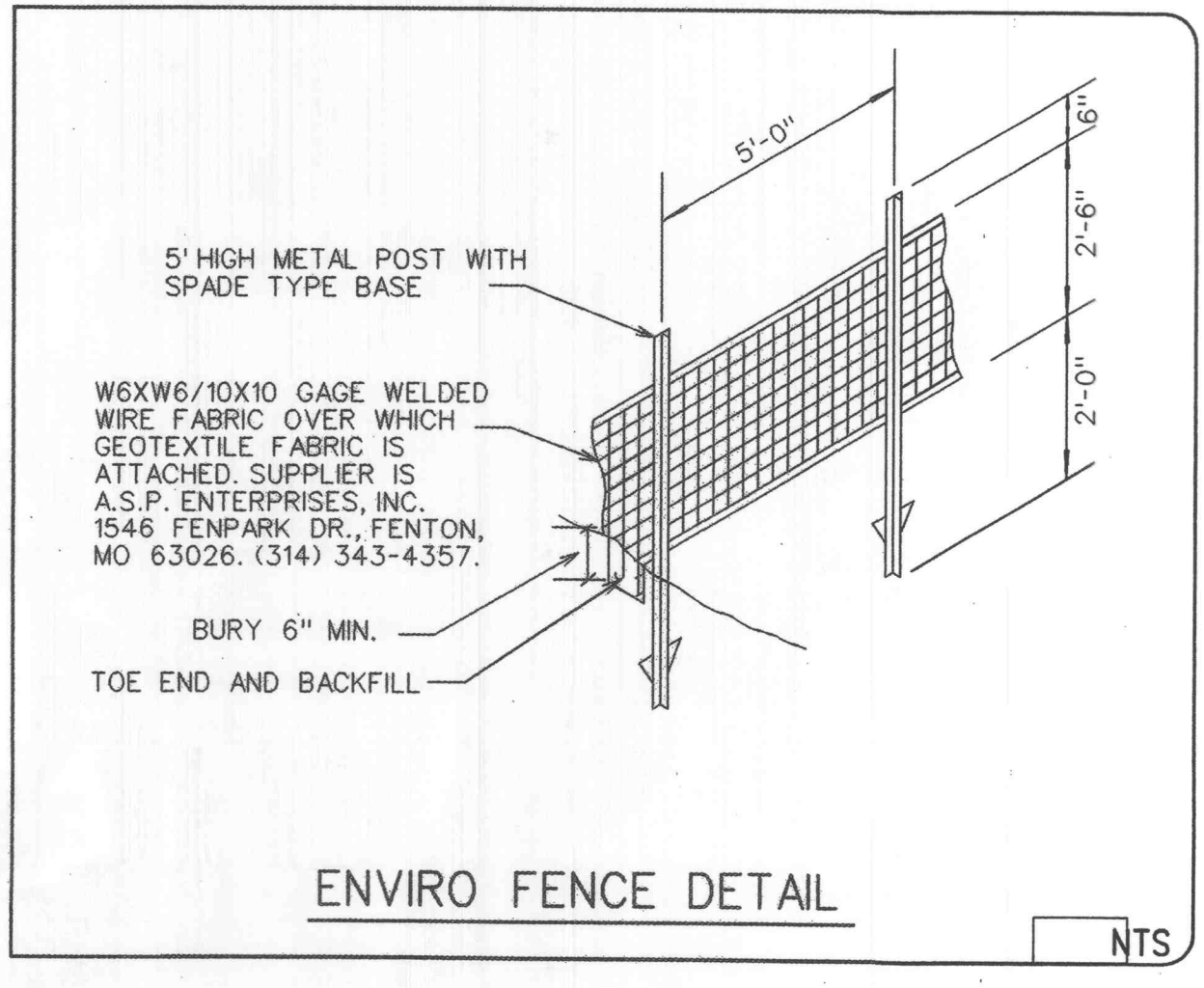
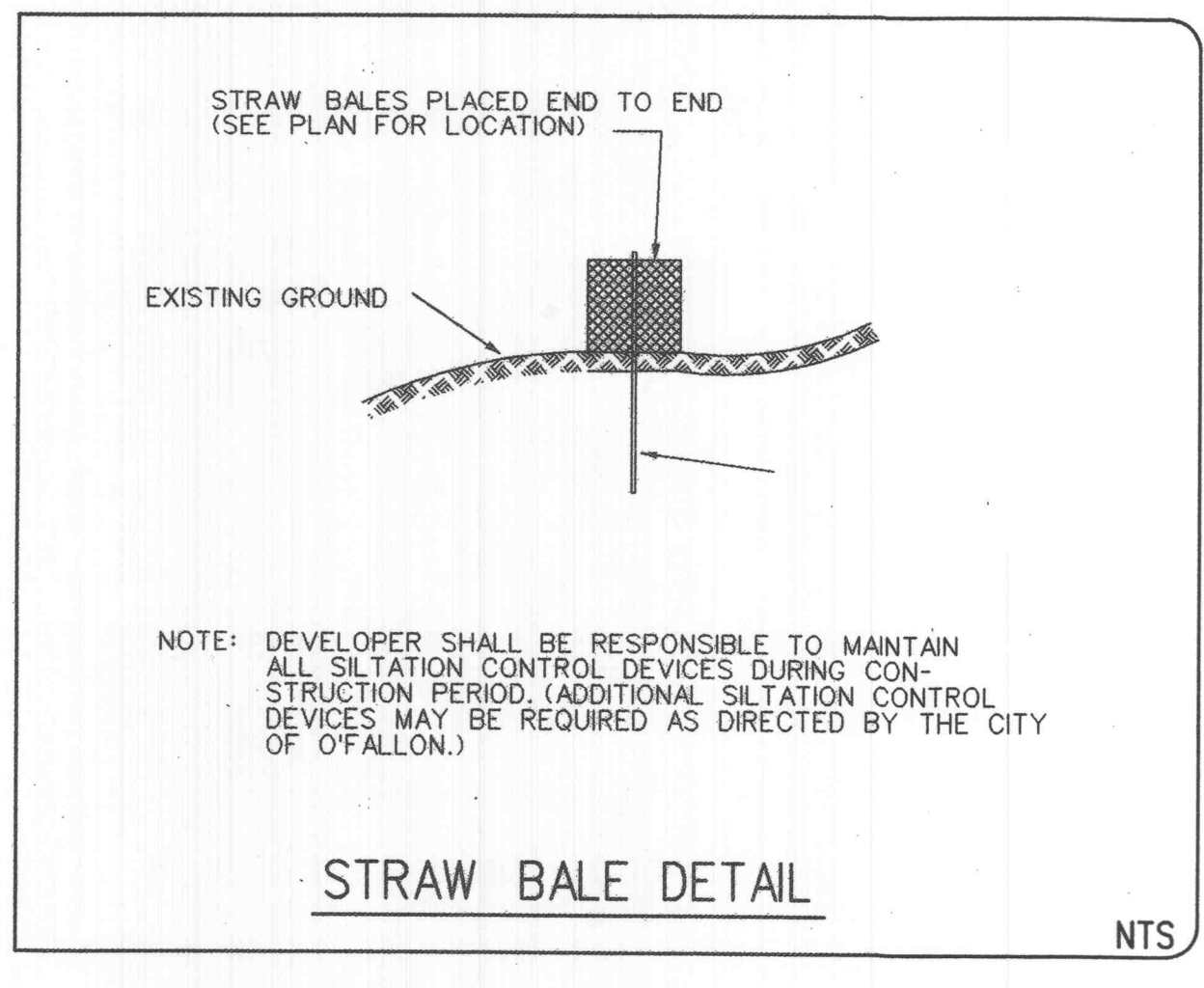


**Duckett Creek Sanitary District**  
CONCRETE COLLAR  
DETAIL  
30A



- STORM SEWER DETAILS PER CURRENT M.S.D. STANDARDS AS MODIFIED:
- Face of top stone shall be 2' behind back of curb.
  - 0.2' drop is required through Storm Sewer Structures.
  - No precast concrete sewer lids allowed. Use MSD Standard lids.



WINGHAVEN RESIDENTIAL L.L.C.  
11 McBRIDE & SON  
CORPORATE CENTER DRIVE  
ST. LOUIS, MISSOURI 63005  
PHONE (636) 537-2000

**VOLZ**



WINGHAVEN AT WINGHAM

**BOARDWALK COMMONS**

CONSTRUCTION DETAILS  
Design By: G.A.S.  
Drawn By: M.M.M.  
Checked By: E.A.K.  
B-6500