

ISSUE	REMARKS/DATE
1	10-16-2012, INITIAL SUBMITTAL
2	11-29-2012, CITY COMMENTS
3	1-14-2013, CITY & DCSD COMMENTS
4	2-20-2013, CITY COMMENTS

PROJECT TITLE
BOARDWALK GARDENS
OF FALLON, MISSOURI

THE **STERLING** CO.
ENGINEERS & SURVEYORS
5055 New Baumgartner Road
St. Louis, Missouri 63129
Ph 314-487-0440 Fax 314-487-8844
www.sterling-eng-survey.com
Corporate Certificate of Authority #001348

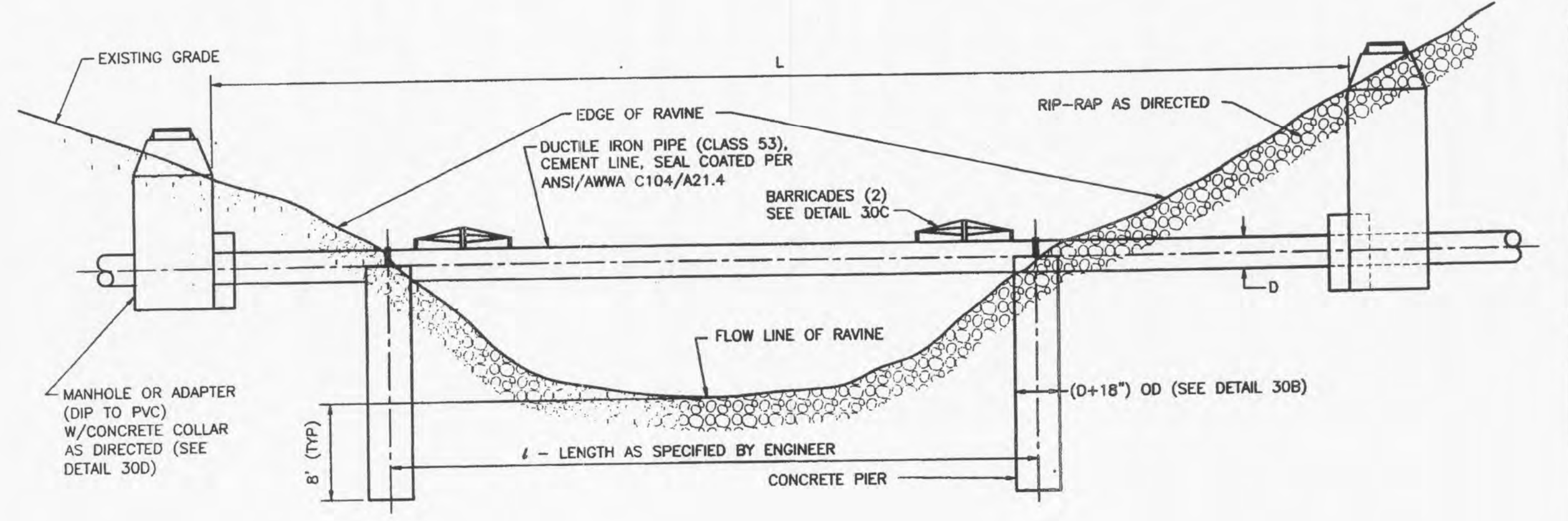
The Professional Engineer's seal and signature are required on this sheet. All drawings, instruments or other documents not exhibiting the seal and signature shall not be considered prepared by this engineer, and the engineer assumes no responsibility for such documents. Documents not exhibiting this seal and signature.

Michael G. Boerding
Date: 2/20/13
MICHAEL G. BOERDING
License No. E-28843
Civil Engineer

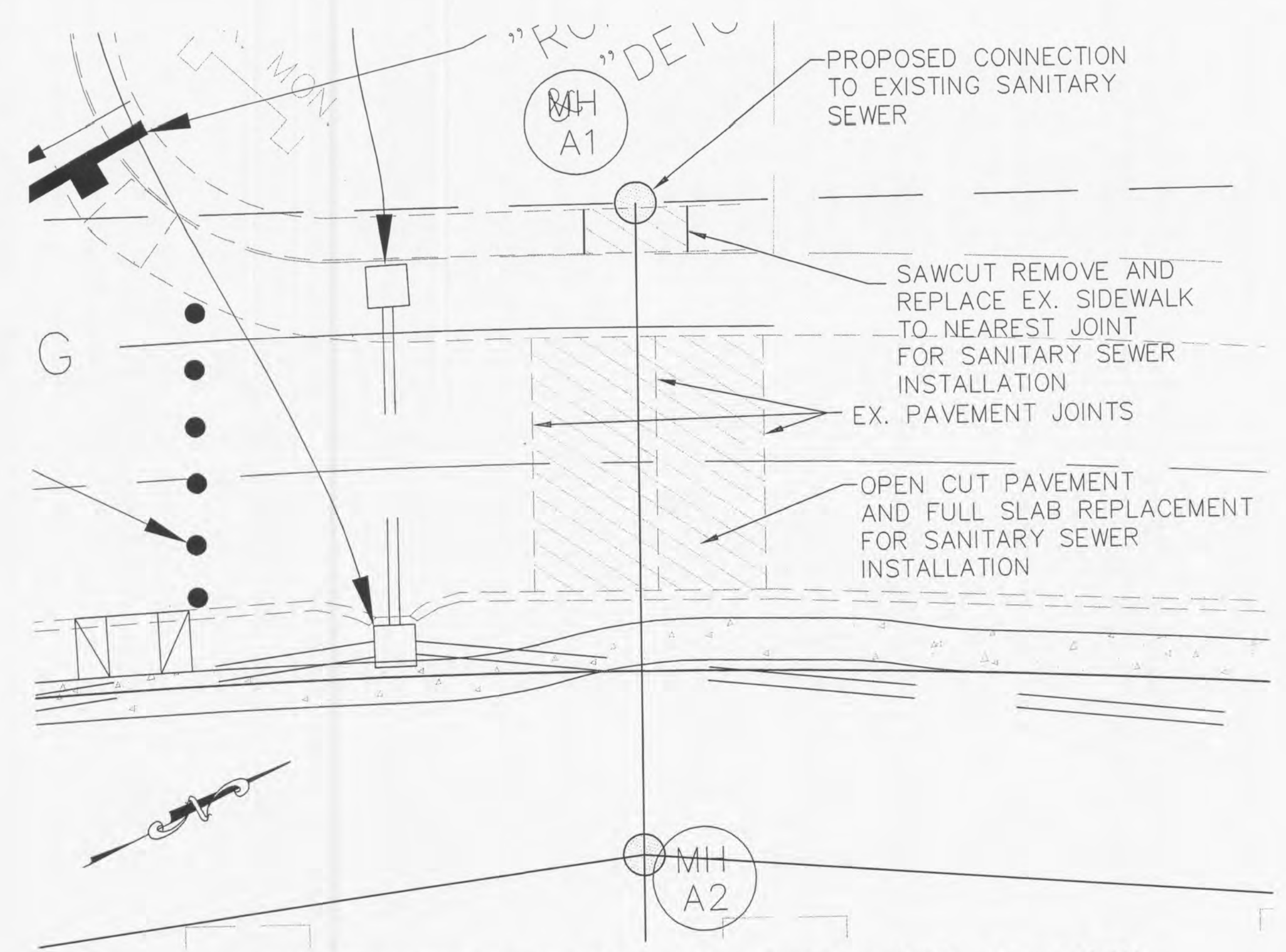
MCBRIDE RED HAWK, LLC
16091 SWINGLEY RIDGE ROAD, SUITE 300
CHESTERFIELD, MISSOURI 63017
PH: 636-537-2000
Contact: Jeff Boland

P+Z No. 9831.34.09.01
City No.
Date: OCT. 16, 2012
Job No. 12-05-128

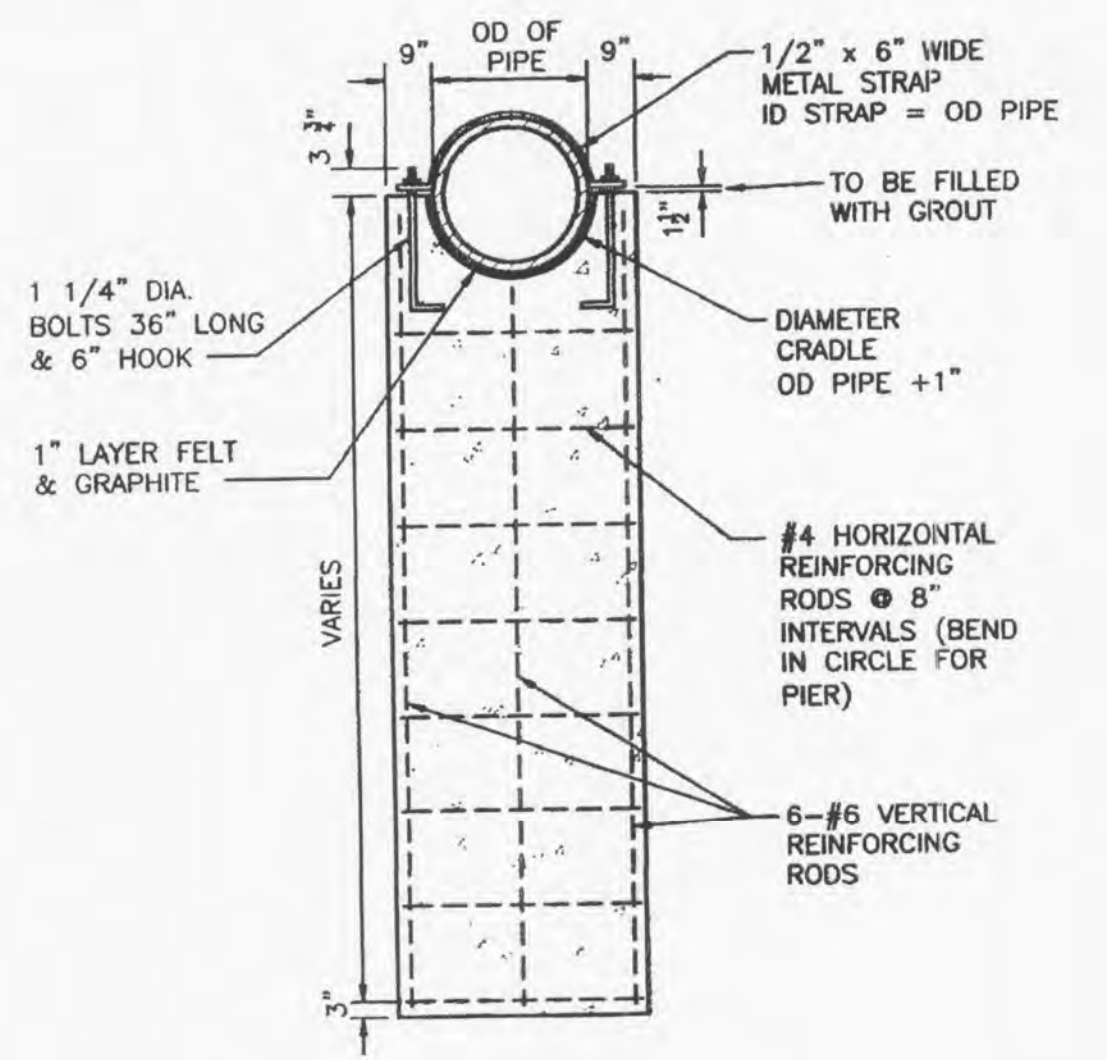
Page No.
DTL-8



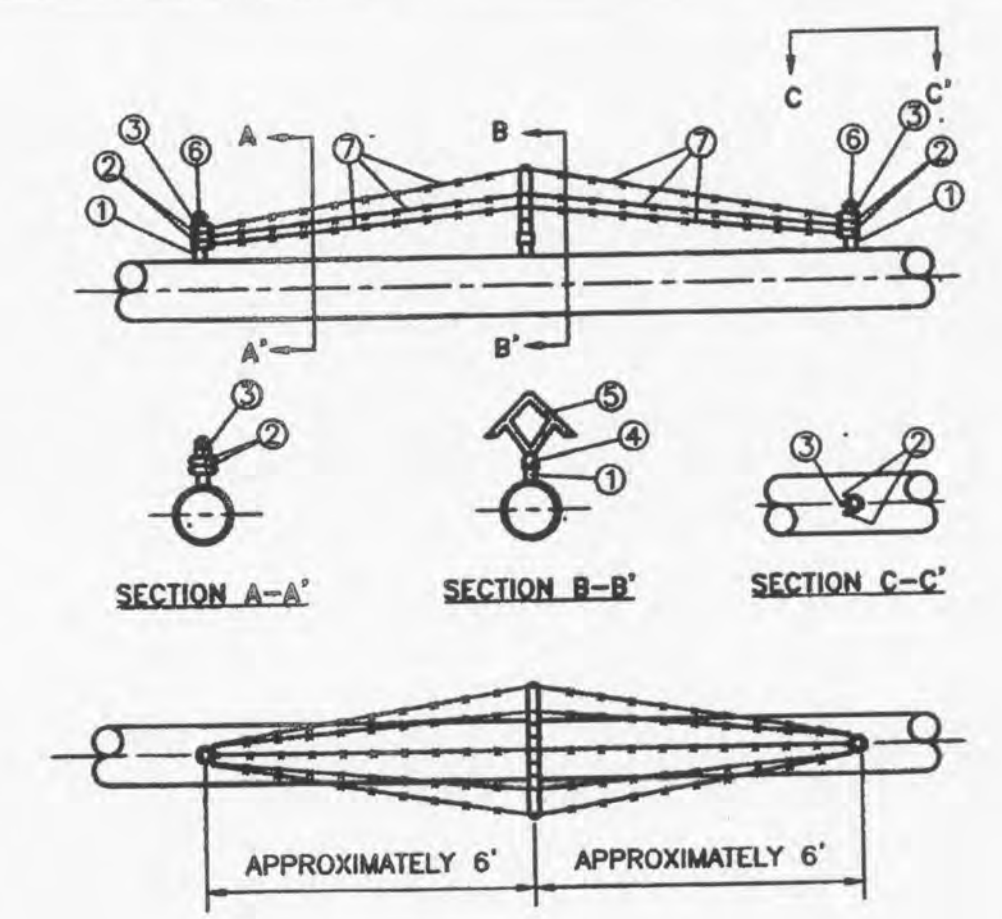
Duckett Creek Sanitary District
AERIAL CREEK CROSSING
DETAIL
Dwn By: BSM App By: KLA Detail No. 30A
Cld By: MDOB Date: 1-10-01



DETAIL OF RED HAWK PLACE OPEN CUT FOR SANITARY SEWER INSTALLATION
1"=10'



Duckett Creek Sanitary District
CONCRETE PIER
DETAIL
Dwn By: BSM App By: KLA Detail No. 30B
Cld By: MDOB Date: 1-9-01



BILL OF MATERIAL

NO.	QTY	STK. NO.	SIZE	DESCRIPTION
1	6"	38290	1 1/2" x 5"	NIPPLE, STL. SCRD.
2	0		1 1/2" OD, 7' 90"	BRACE BAND, GALV.
3	4		1 1/2" OD, #6	BRACE BAND, GALV.
4	2		1 1/2" OD x 59U	UNIVERSAL BASE, GALV.
5	2		NORTHLAND S STRO.	ARM. STL. GALV. W/BOLT
6	4		NORTHLAND #1	CAP. ACORN, GALV. W/SET SCREW
7	1**	58850	4 POINT, 12 1/2 GAUGE	WIRE, BARBED, GALV.

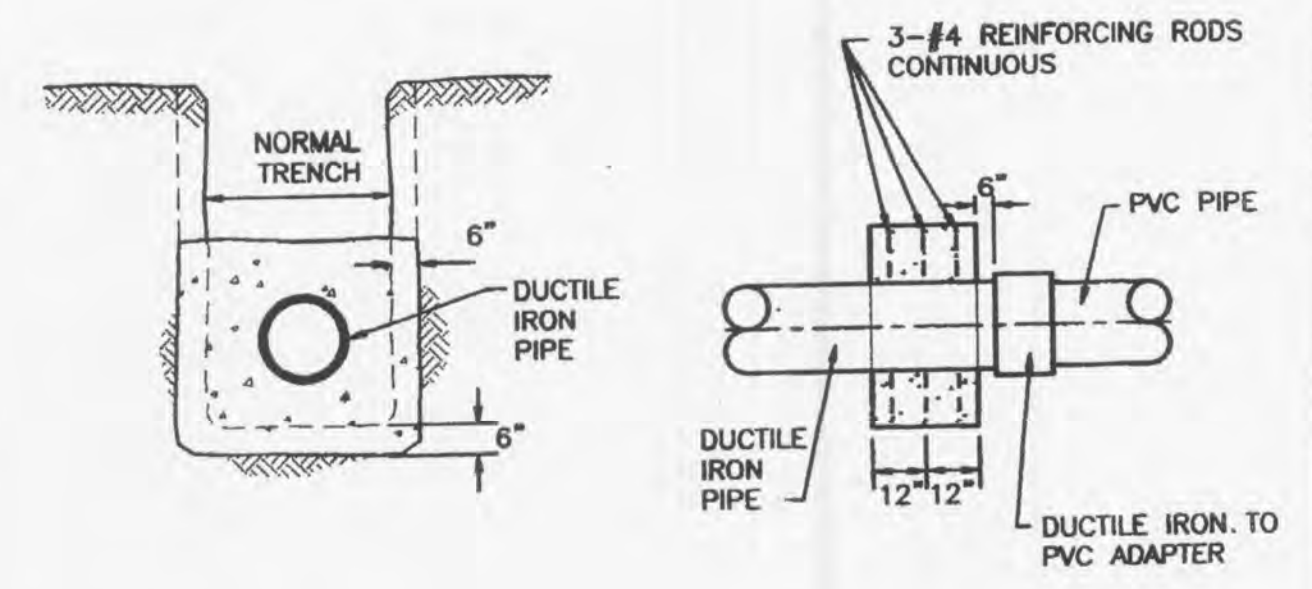
NOTES:

- "BILL OF MATERIALS" PROVIDES SUFFICIENT MATERIAL FOR TWO BARRICADES.
- LOCATION OF BARRICADES ON PIPING SYSTEM TO BE AS SPECIFIED ON APPROVED CONSTRUCTION DRAWINGS.
- TWO BARRICADES WILL BE REQUIRED, ONE AT EACH END OF THE CROSSING AS A DETERRENT AGAINST FOOT TRAFFIC. IN SOME INSTANCES ADDITIONAL BARRICADES MAY BE REQUIRED.
- COAT ANY EXPOSED PIPE WITH MASTIC, STOCK #51857.

* 1 1/2" BARE PIPE ON JOB MAY BE SUBSTITUTED FOR 1 1/2" x 5" NIPPLE. SCREW THREADS NOT NECESSARY.
** CONTACT SUPERVISOR BEFORE ORDERING BARBED WIRE. BARBED WIRE SUPPLIED IN 1320' ROLLS ONLY, NOT RETURNABLE.

Duckett Creek Sanitary District
AERIAL CROSSING BARRIER
DETAIL
Dwn By: BSM App By: KLA Detail No. 30C
Cld By: MDOB Date: 1-9-01

CROSSING NO.	TOTAL LENGTH OF PIPE L	LENGTH BETWEEN C OF PIPE SUPPORTS L	CARRIER PIPE OUTSIDE DIAMETER D	CARRIER PIPE WALL THICKNESS (IN.) t
1				
2				



Duckett Creek Sanitary District
AERIAL CROSSING CONCRETE COLLAR
DETAIL
Dwn By: BSM App By: KLA Detail No. 30D
Cld By: MDOB Date: 1-9-01