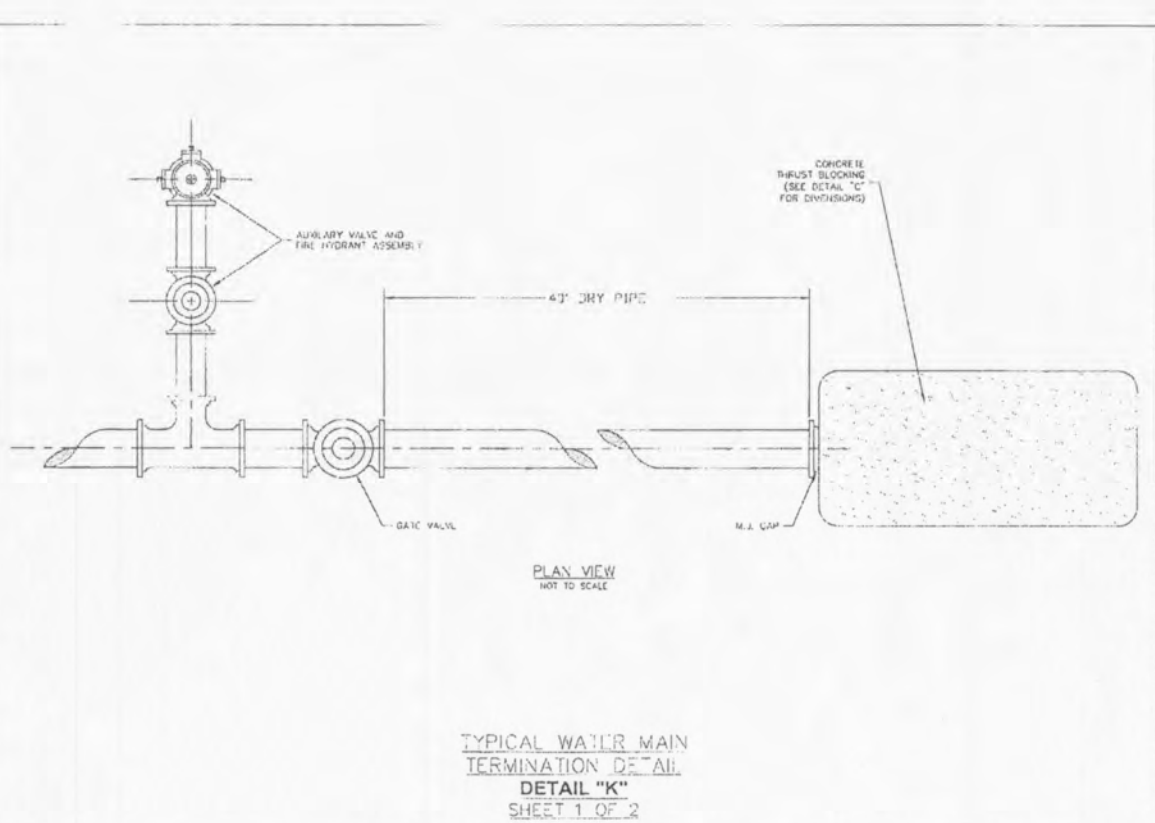
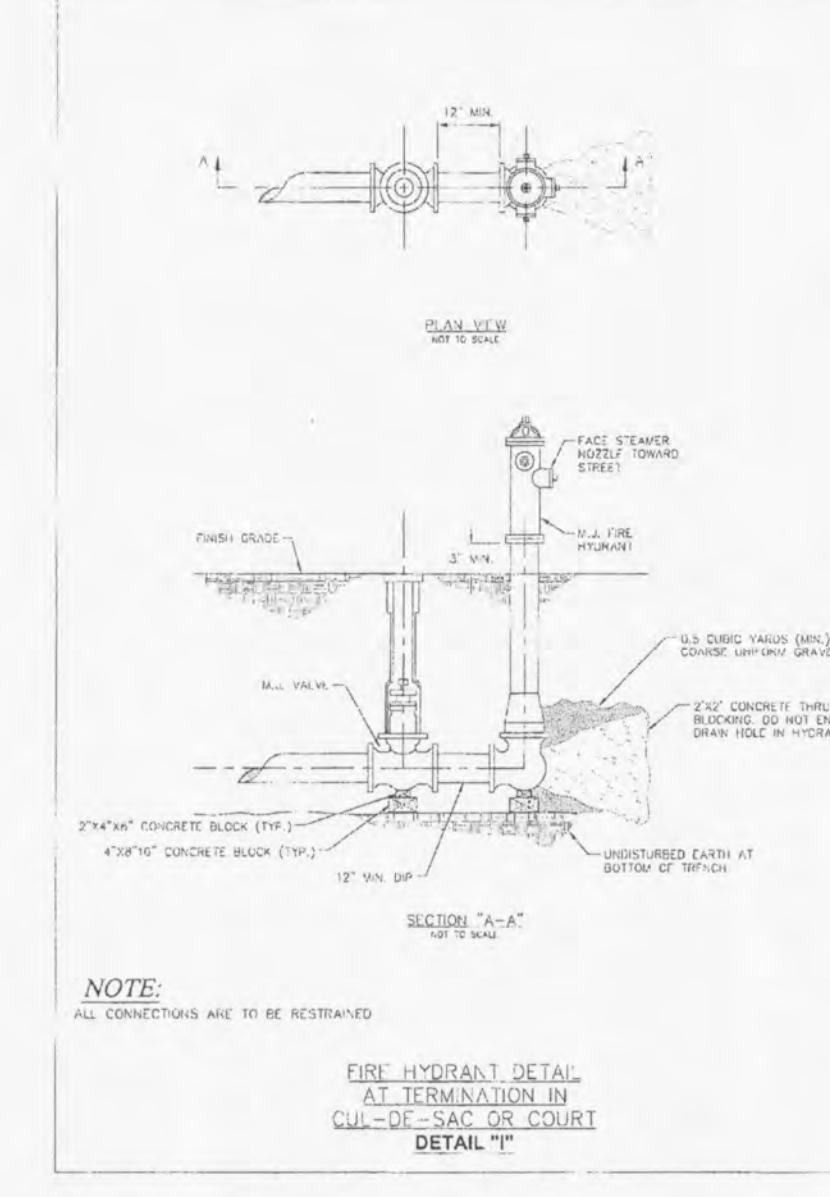
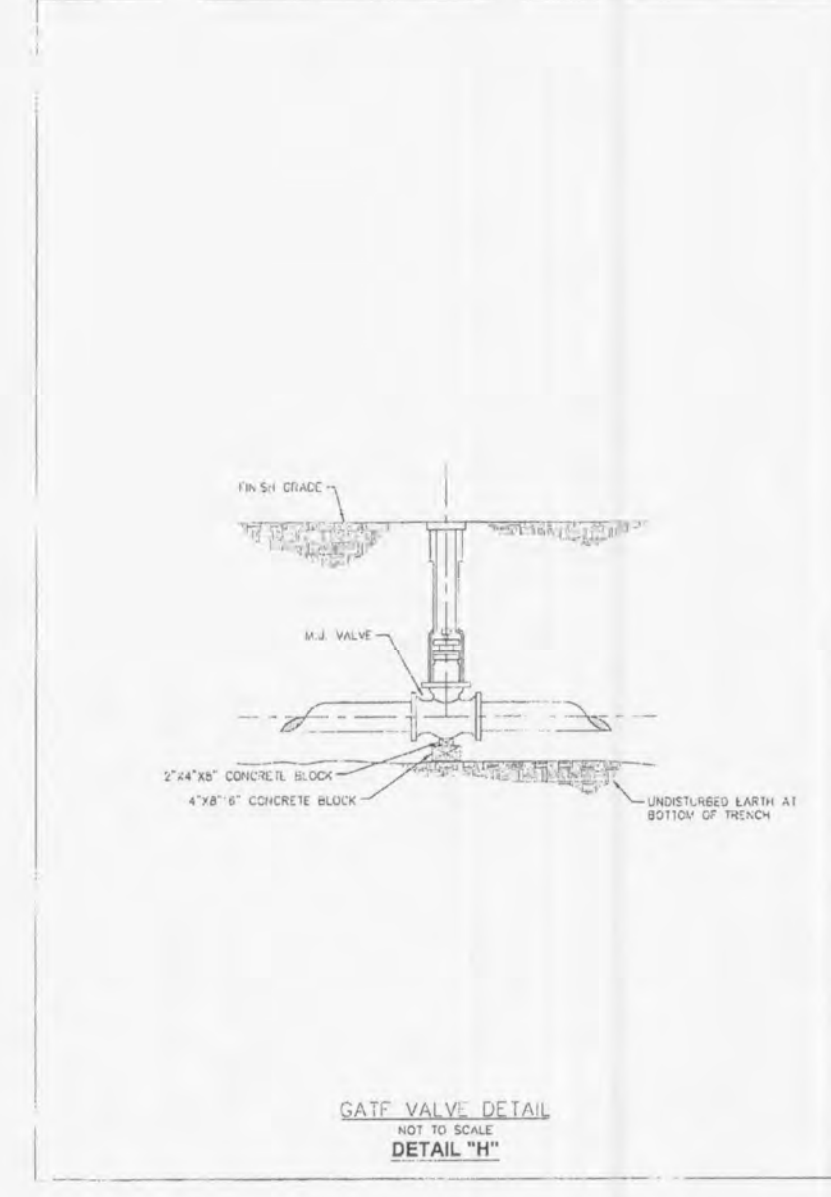
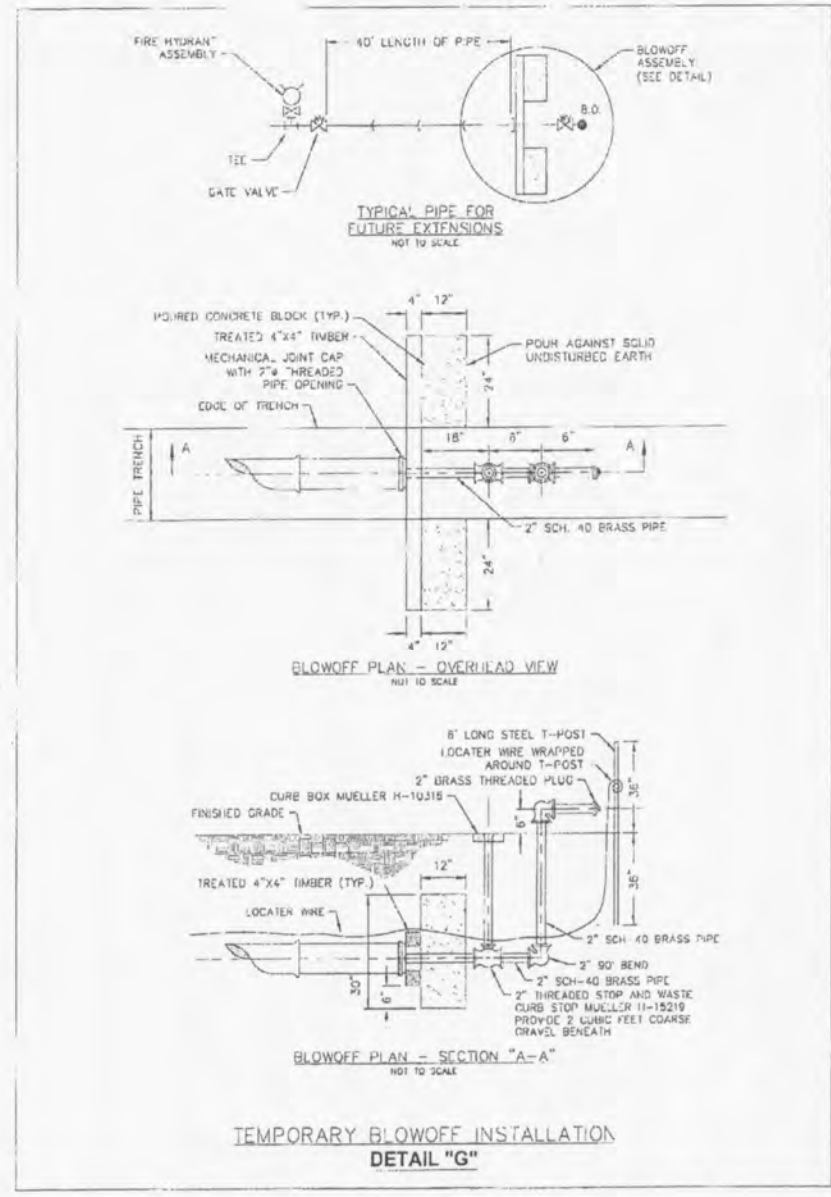
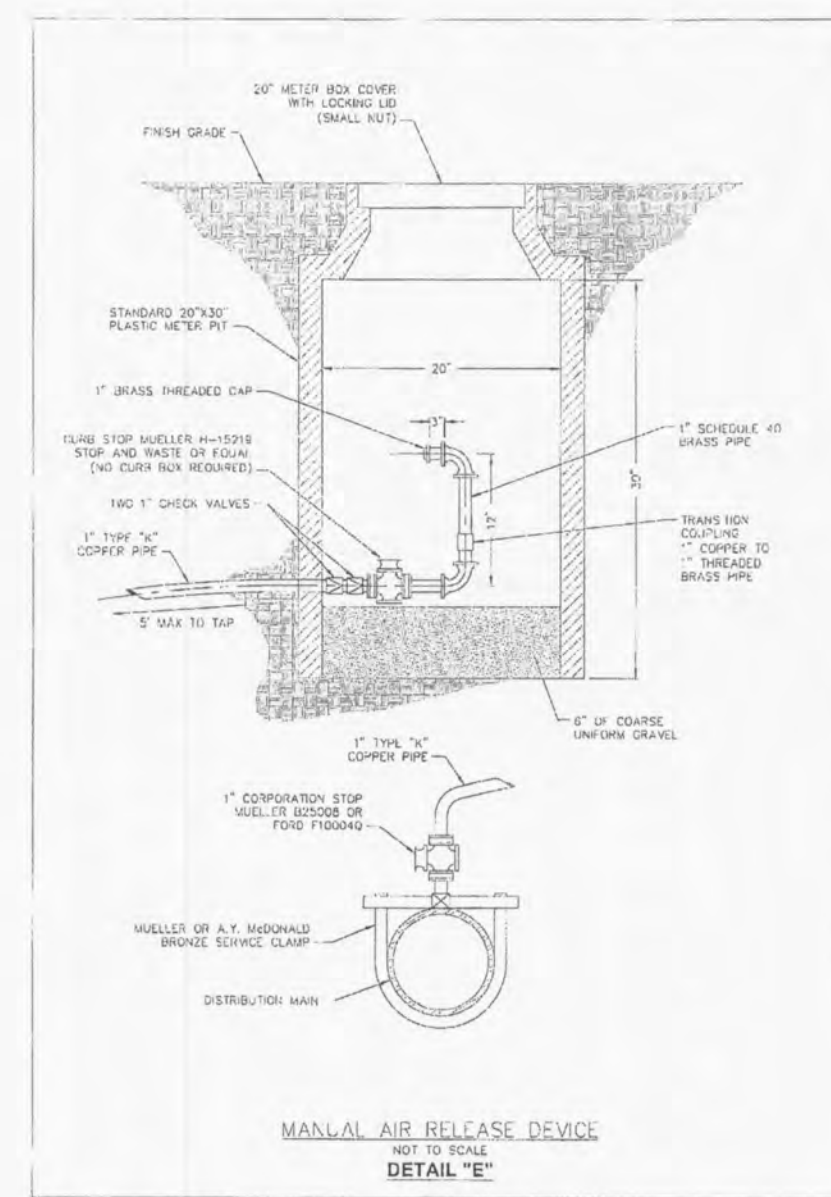
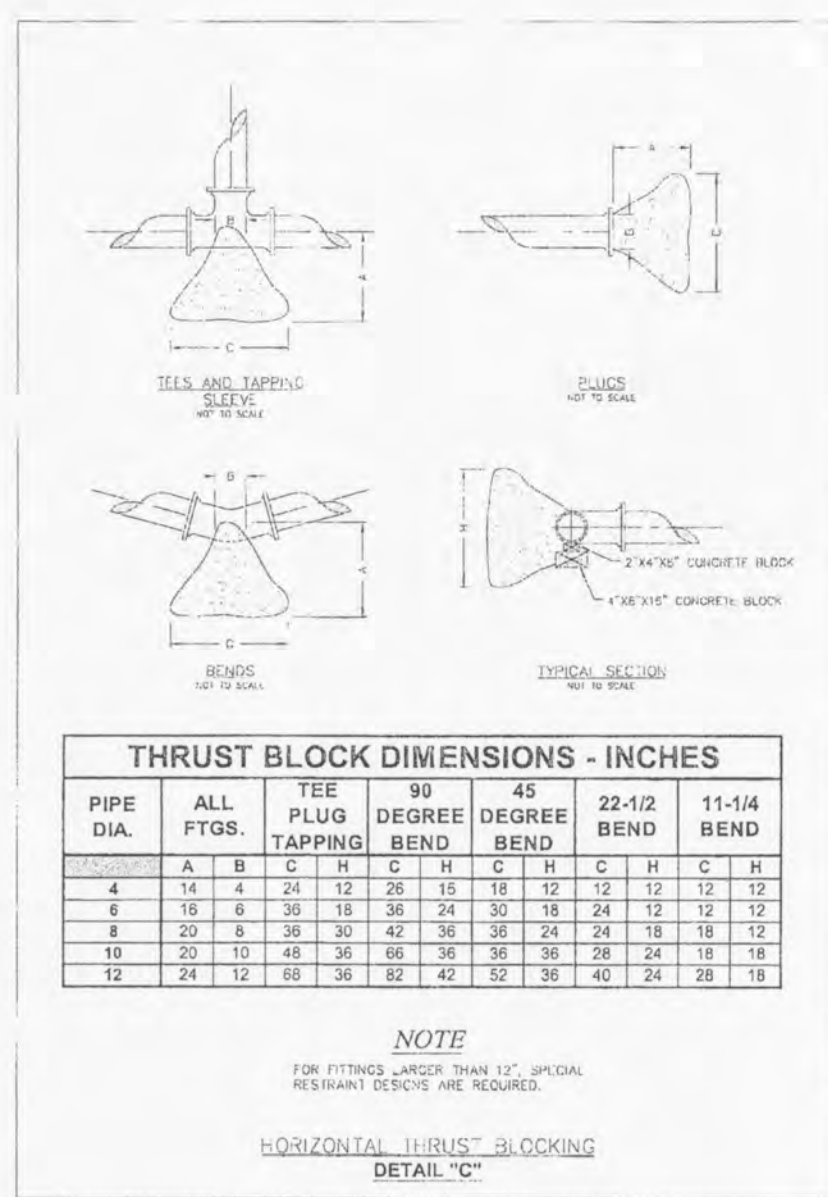
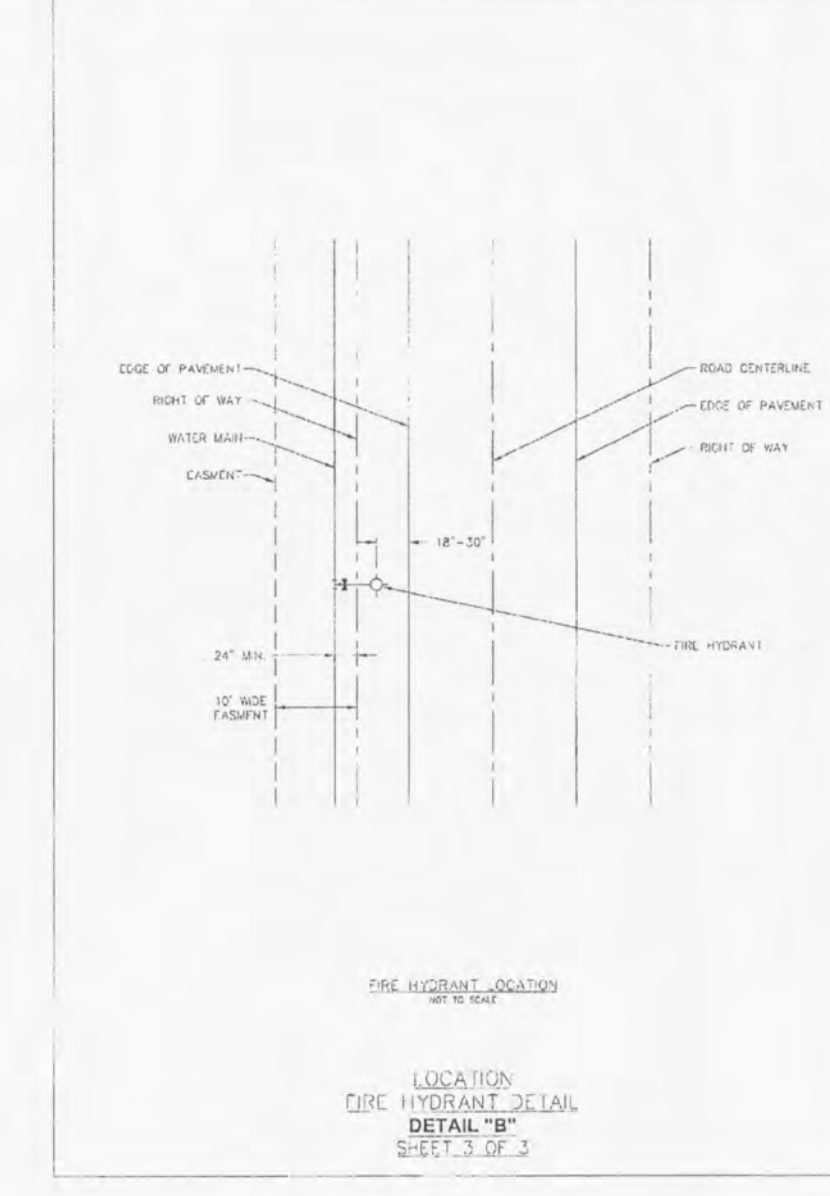
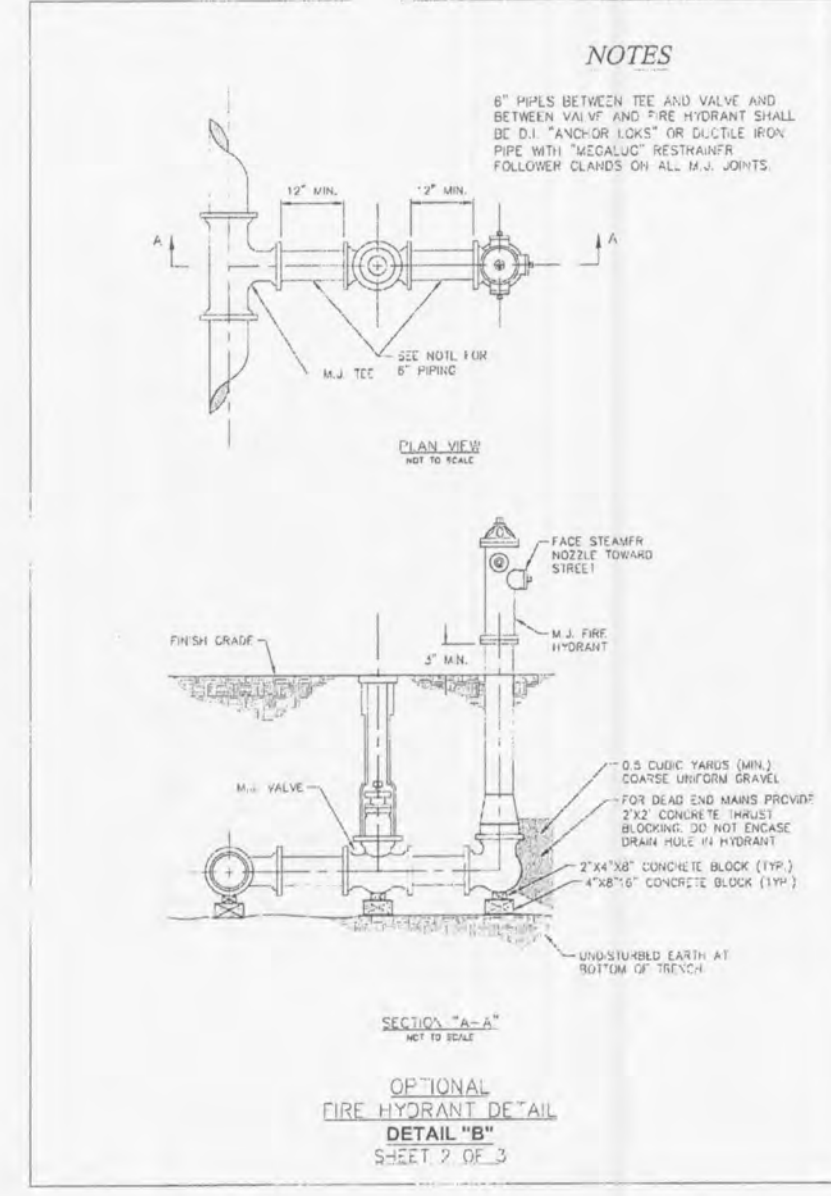
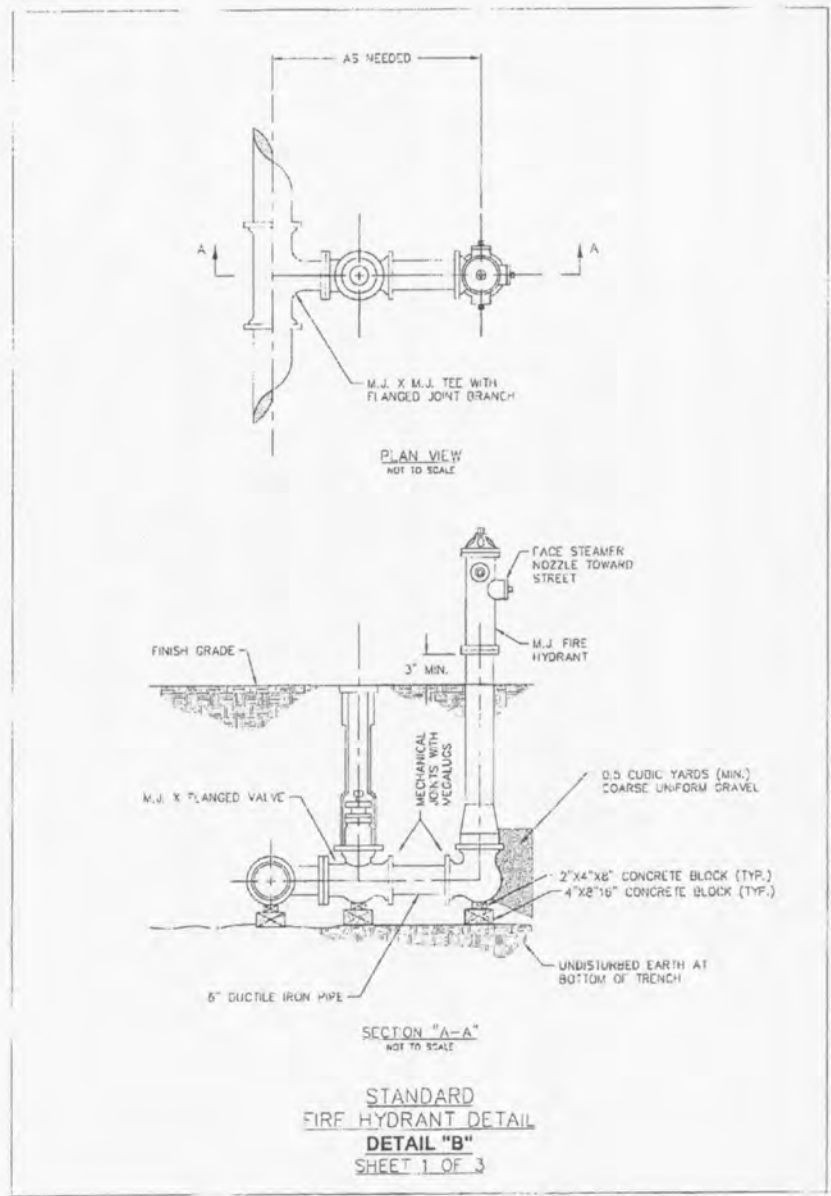
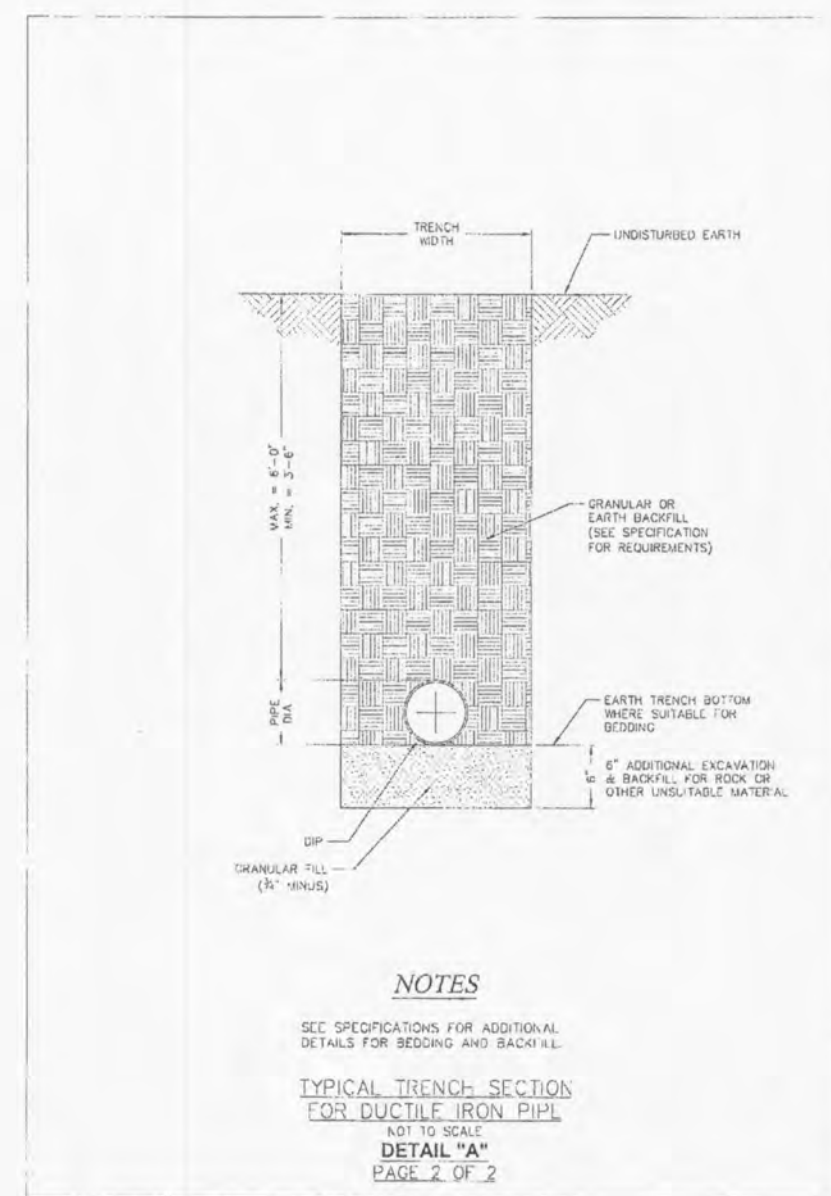
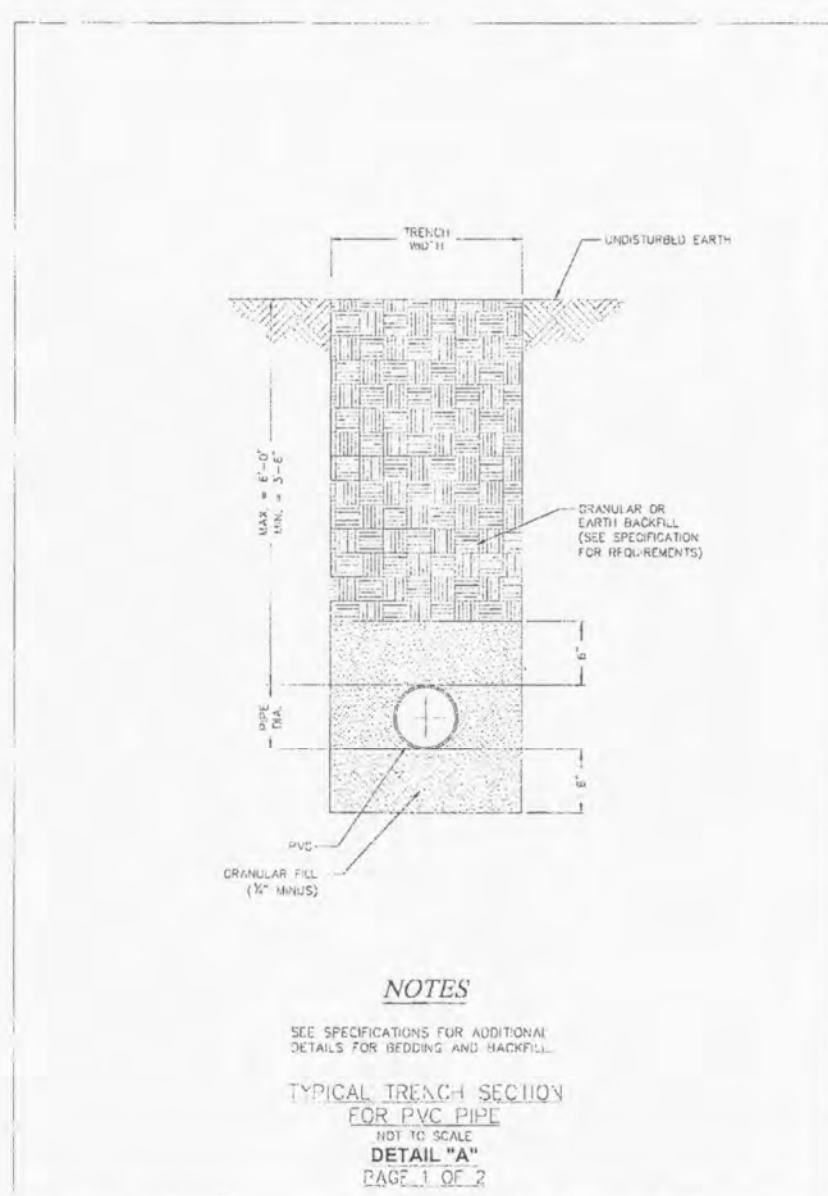


ISSUE	REMARKS/DATE
1	10-16-2012, INITIAL SUBMITTAL
2	11-29-2012, CITY COMMENTS
3	1-14-2013, CITY & DCSD COMMENTS
4	2-20-2013, CITY COMMENTS



PROJECT TITLE
BOARDWALK GARDENS
OF FALLON, MISSOURI

THE **STERLING** CO.
ENGINEERS & SURVEYORS
5055 New Baumgartner Road
St. Louis, Missouri 63129
Ph 314-487-0440 Fax 314-487-8944
www.sterling-eng-survey.com
Corporate Certificate of Authority #001348

The Professional Engineer's seal and signature are required in this sheet. All drawings, instruments or other documents not exhibiting this seal and signature shall not be considered prepared by this engineer, and the engineer assumes no responsibility for any errors or omissions in any drawings or documents not exhibiting this seal and signature.

Date: _____
MICHAEL G. BOARDING
License No. E-28643
Civil Engineer

MCBRIDE RED HAWK, LLC
16091 SWINGLEY RIDGE ROAD, SUITE 300
CHESTERFIELD, MISSOURI 63017
PH. 636-537-2000
Contact: Jeff Boland

P+Z No. 9831.34.09.01
City No. _____
Date: OCT.16, 2012
Job No. 12-05-128

Page No. _____
DTL-10

IMP