

ROUND PIPE				HORIZONTAL ELLIPTICAL PIPE			
INSIDE DIAMETER OF PIPE (INCHES)	"W" PAYLINE WIDTH OF TRENCH (INCHES)	"W" PAYLINE WIDTH OF TRENCH (FEET)	PAY-VOLUMES CU. FT. PER FT. OF TRENCH	INSIDE DIMENSIONS OF PIPE (INCHES)	"W" PAYLINE WIDTH OF TRENCH (INCHES)	"W" PAYLINE WIDTH OF TRENCH (FEET)	PAY-VOLUMES CU. FT. PER FT. OF TRENCH
4	30	2.50	3.28				
6	30	2.50	3.59				
8	30	2.50	3.87				
10	30	2.50	4.09				
12	30	2.50	4.25				
15	36	3.00	5.55				
18	36	3.00	5.77	14 x 23	41	3.42	5.94
21	39	3.25	6.81				
24	42	3.50	7.39	19 x 30	49	4.08	7.88
27	45	3.75	8.18	22 x 34	53	4.42	8.81
30	48	4.08	9.30	24 x 38	58	4.83	9.70
33	53	4.42	10.53	27 x 42	62	5.17	10.71
36	56	4.67	11.43	29 x 45	66	5.50	11.72
39	60	5.00	12.45	32 x 49	71	5.92	13.14
42	63	5.25	13.38	34 x 53	75	6.25	14.05
48	70	5.83	15.67	38 x 60	83	6.92	16.18
54	77	6.42	18.15	43 x 68	92	7.67	18.81
60	84	7.00	20.73	48 x 76	101	8.42	21.59
66	91	7.58	23.45	53 x 83	109	9.08	24.35
72	98	8.17	26.37	58 x 91	118	9.83	27.45
78	105	8.75	29.39	63 x 98	128	10.50	30.50
84	112	9.33	32.57	68 x 106	135	11.25	33.91
90	119	9.92	35.90	72 x 113	143	11.92	36.99
96	126	10.50	39.37	77 x 121	152	12.67	40.68
102	133	11.08	42.99	82 x 128	160	13.33	44.45
108	140	11.67	46.75	87 x 136	168	14.00	47.79
114	147	12.25	50.66	92 x 143	176	14.67	51.70
120	154	12.83	54.72	97 x 151	185	15.42	56.01
126	161	13.42	58.92				
132	168	14.00	63.27	106 x 166	202	16.83	64.48
144	182	15.17	72.40	116 x 180	218	18.17	73.59

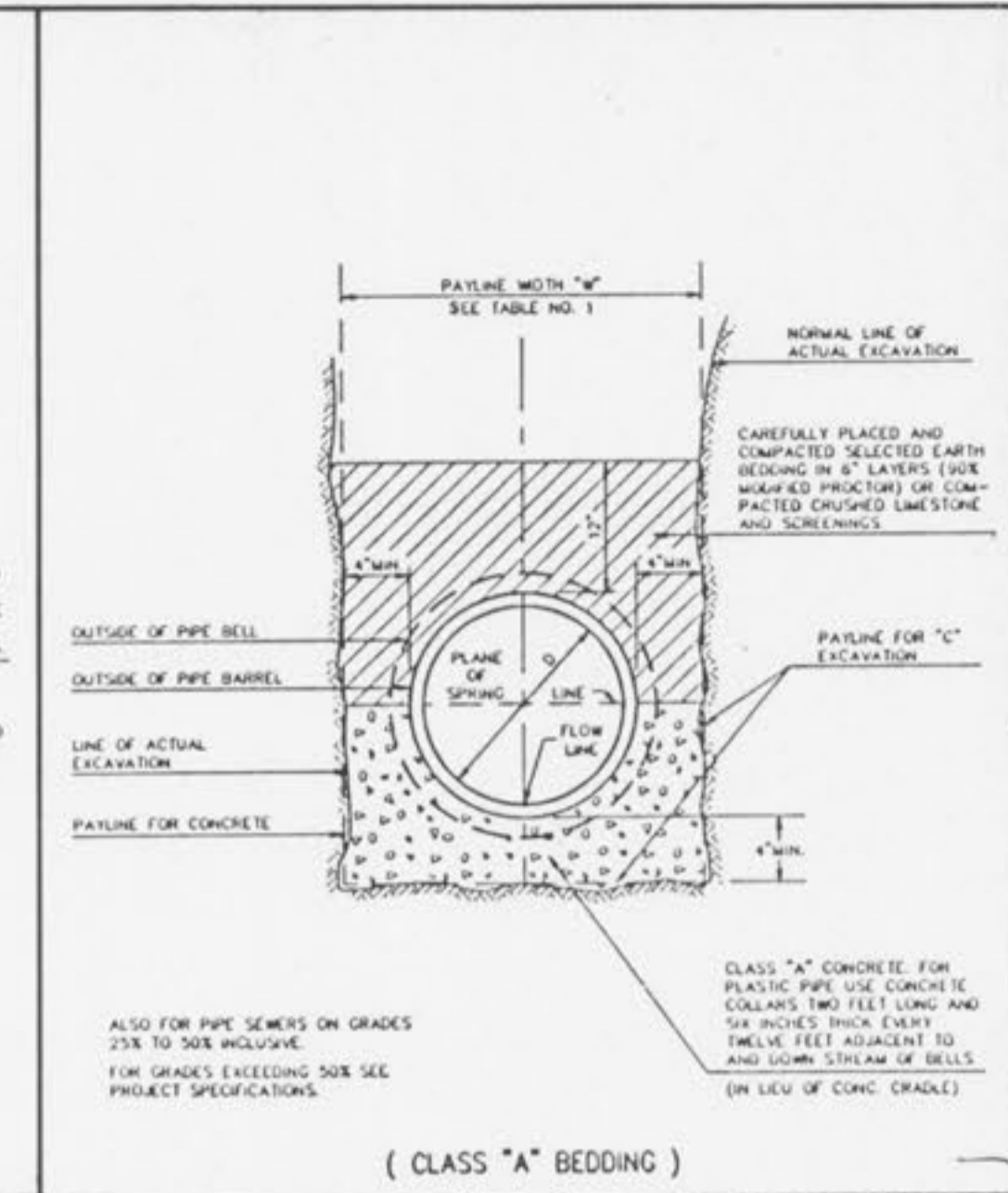
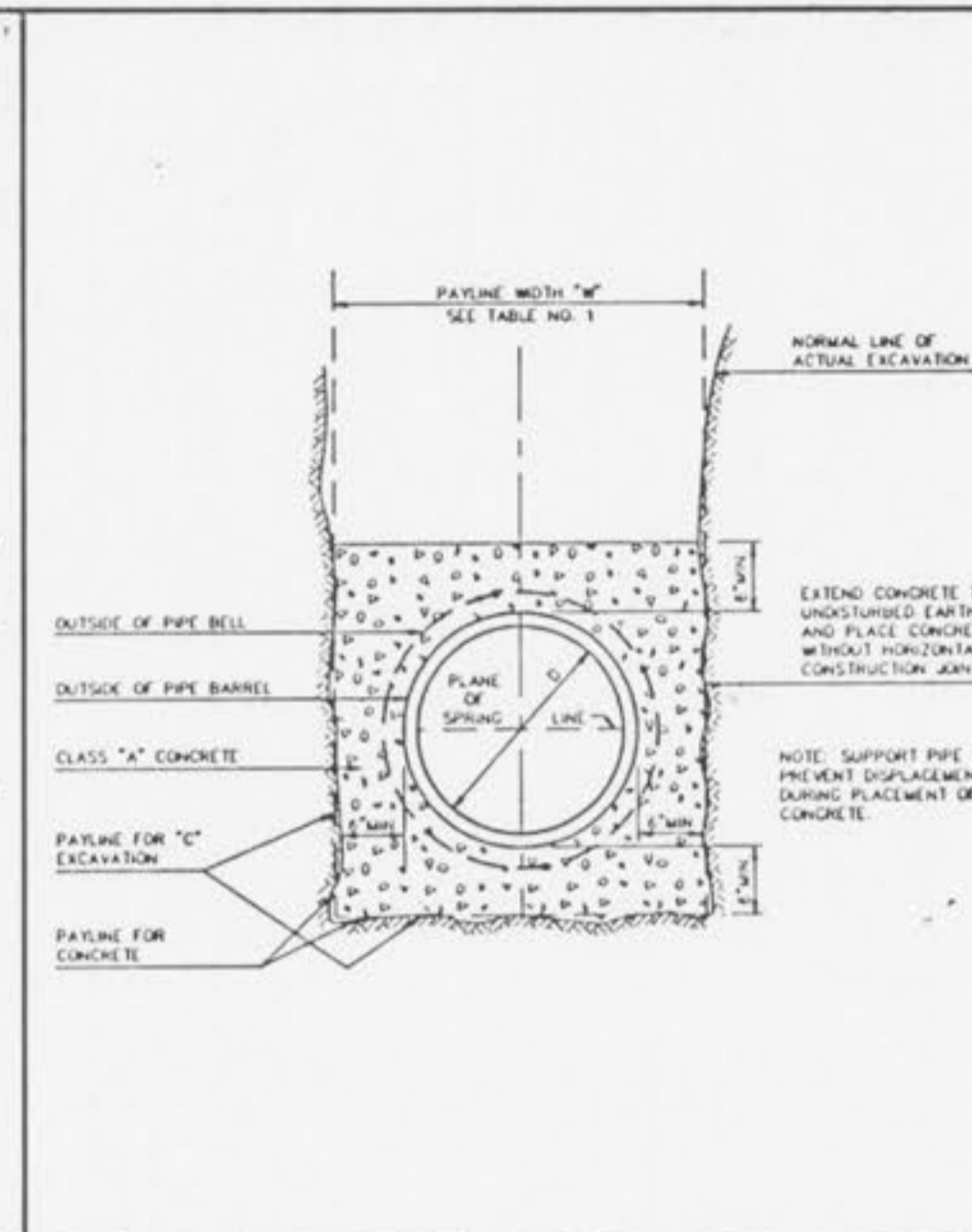
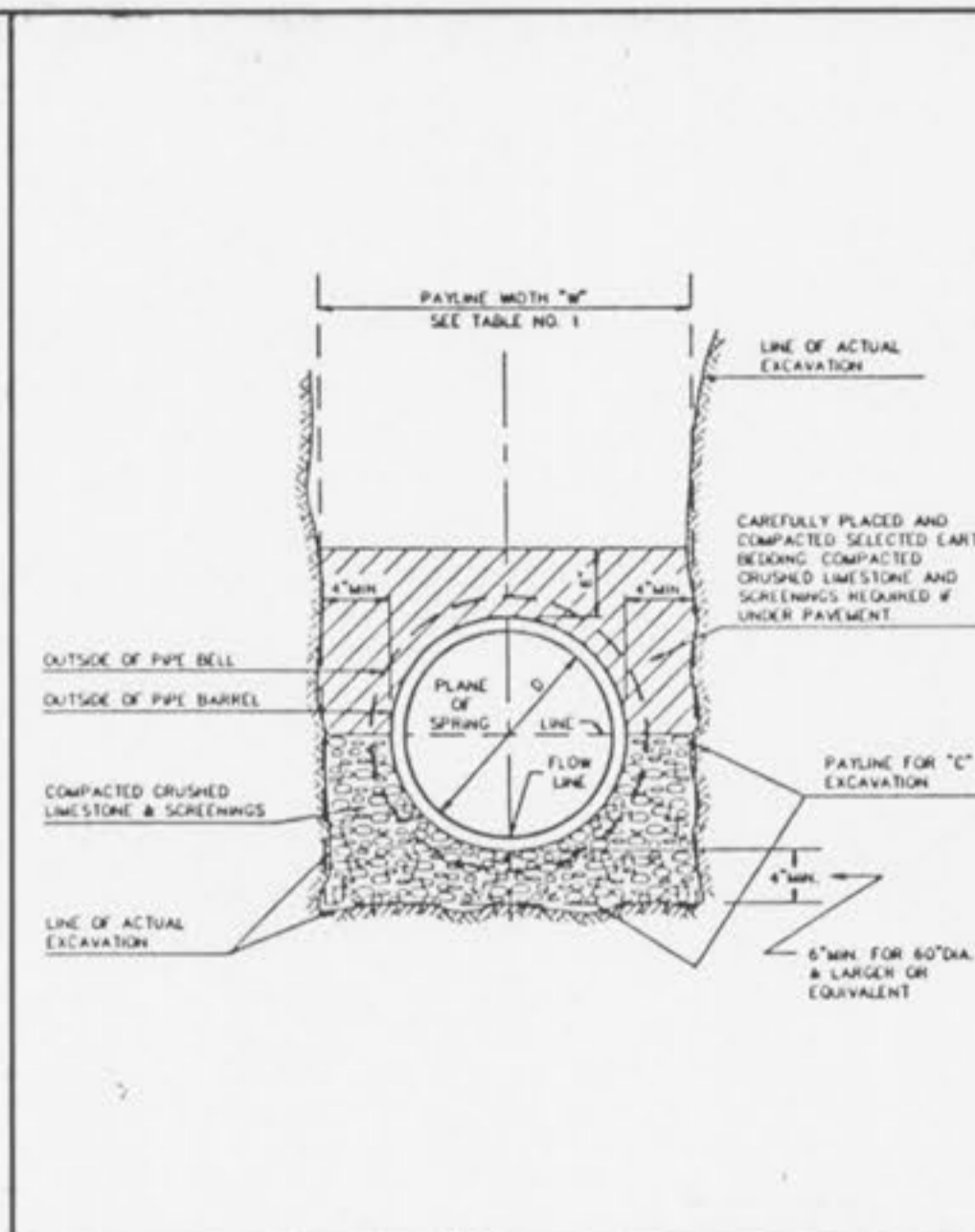
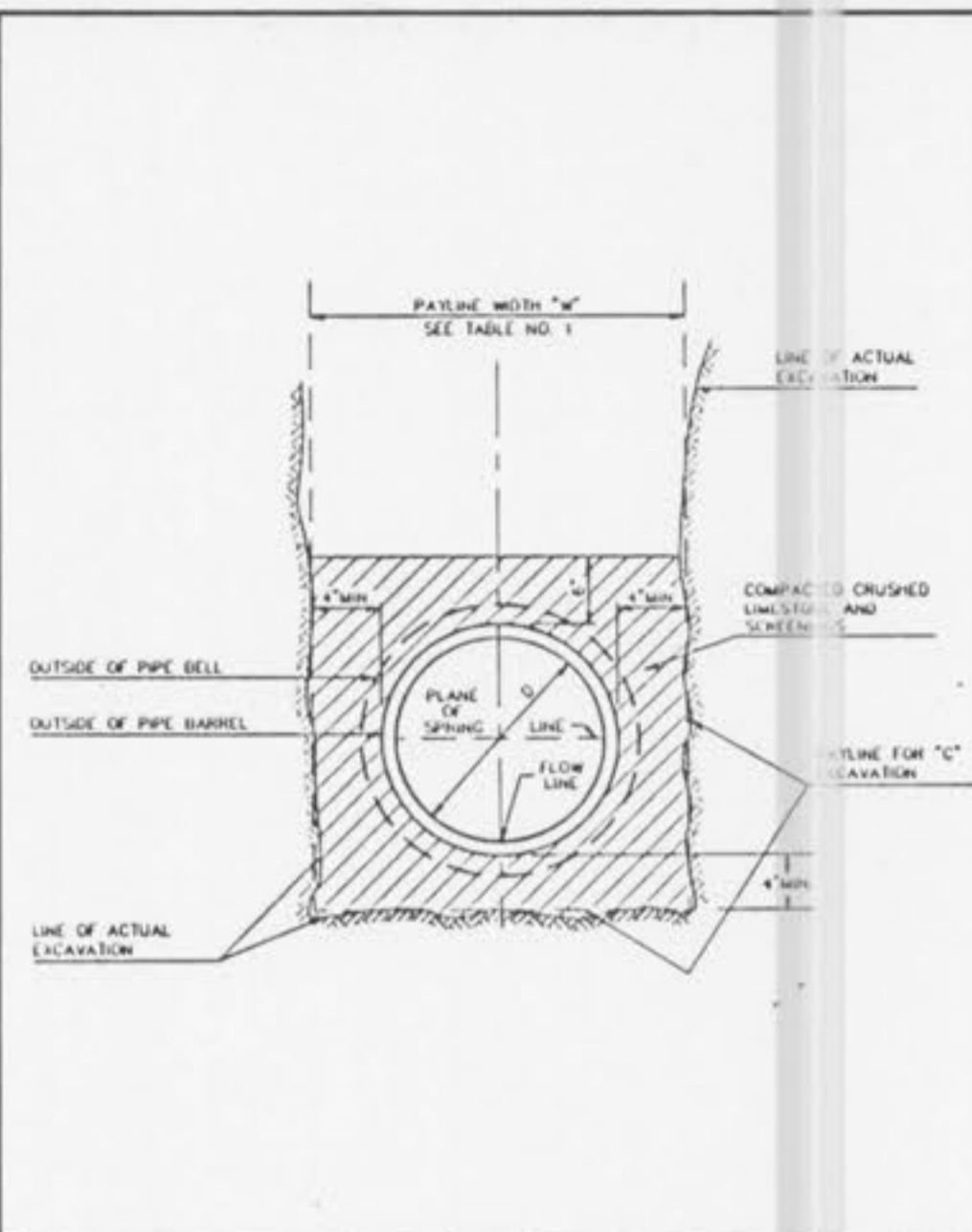
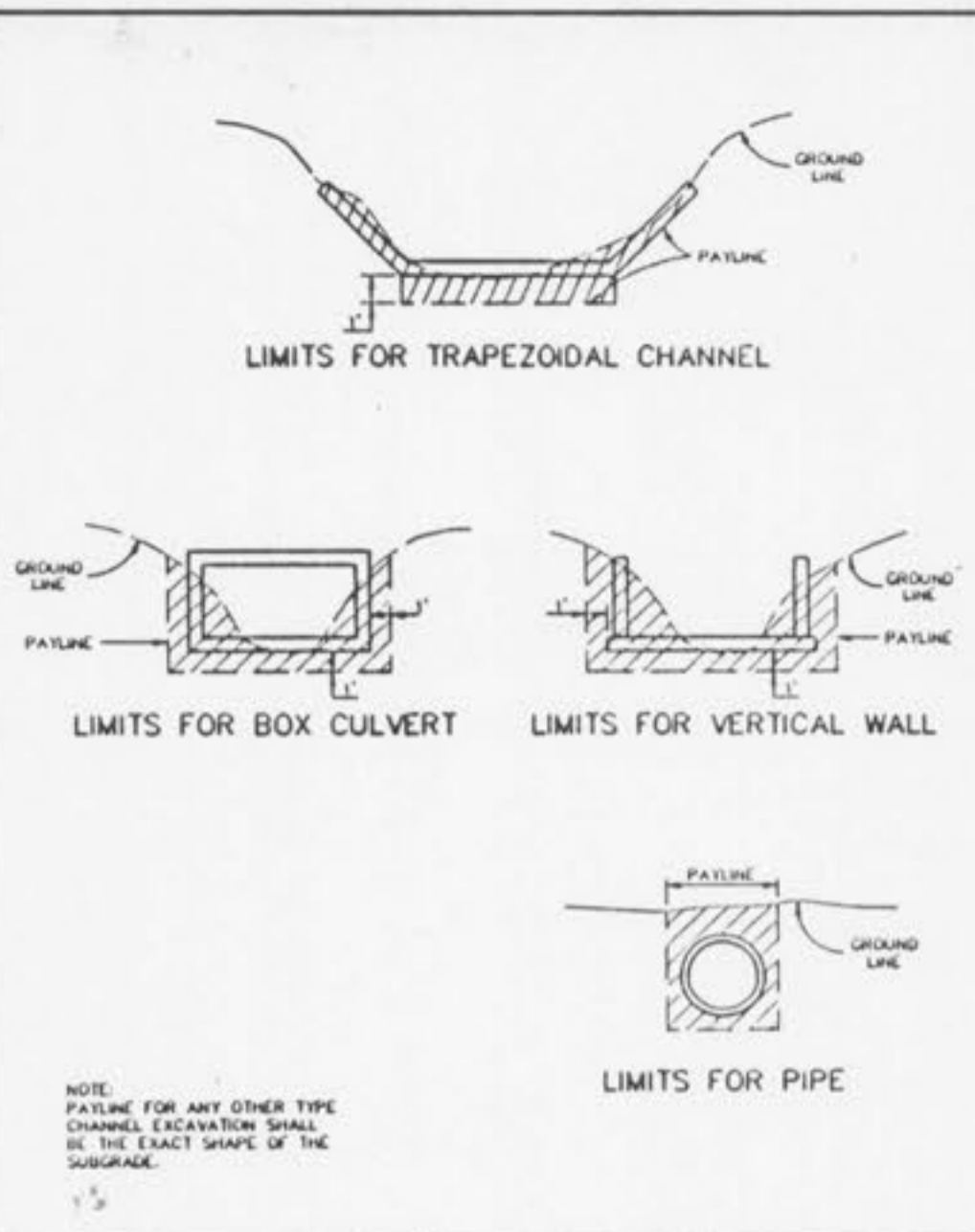


TABLE 1 PAYLINE WIDTHS OF TRENCH AND PAY-QUANTITIES OF CONCRETE

METROPOLITAN ST. LOUIS SEWER DISTRICT Standard Details of Sewer Construction

METROPOLITAN ST. LOUIS SEWER DISTRICT Standard Details of Sewer Construction

METROPOLITAN ST. LOUIS SEWER DISTRICT Standard Details of Sewer Construction

METROPOLITAN ST. LOUIS SEWER DISTRICT Standard Details of Sewer Construction

METROPOLITAN ST. LOUIS SEWER DISTRICT Standard Details of Sewer Construction

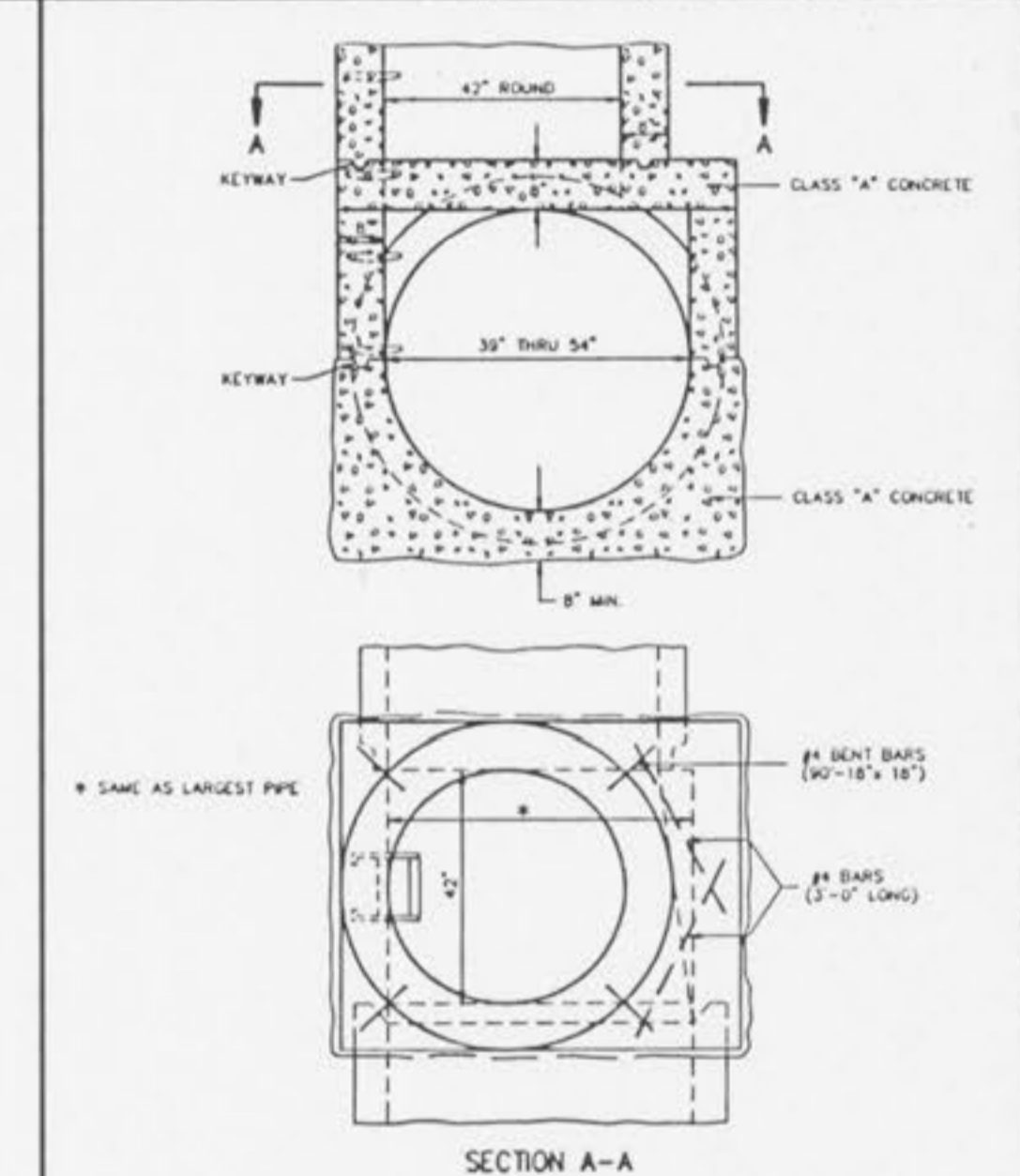
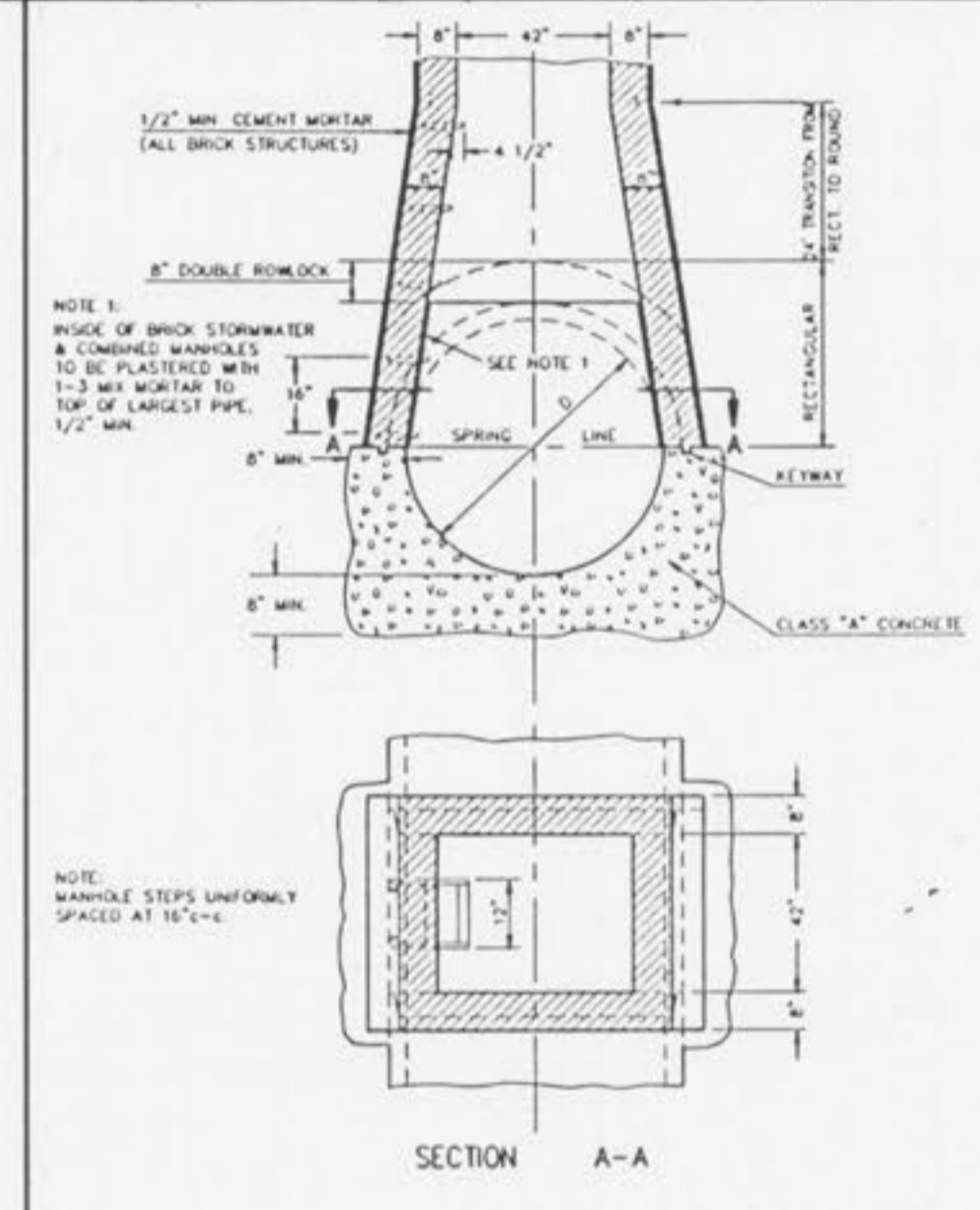
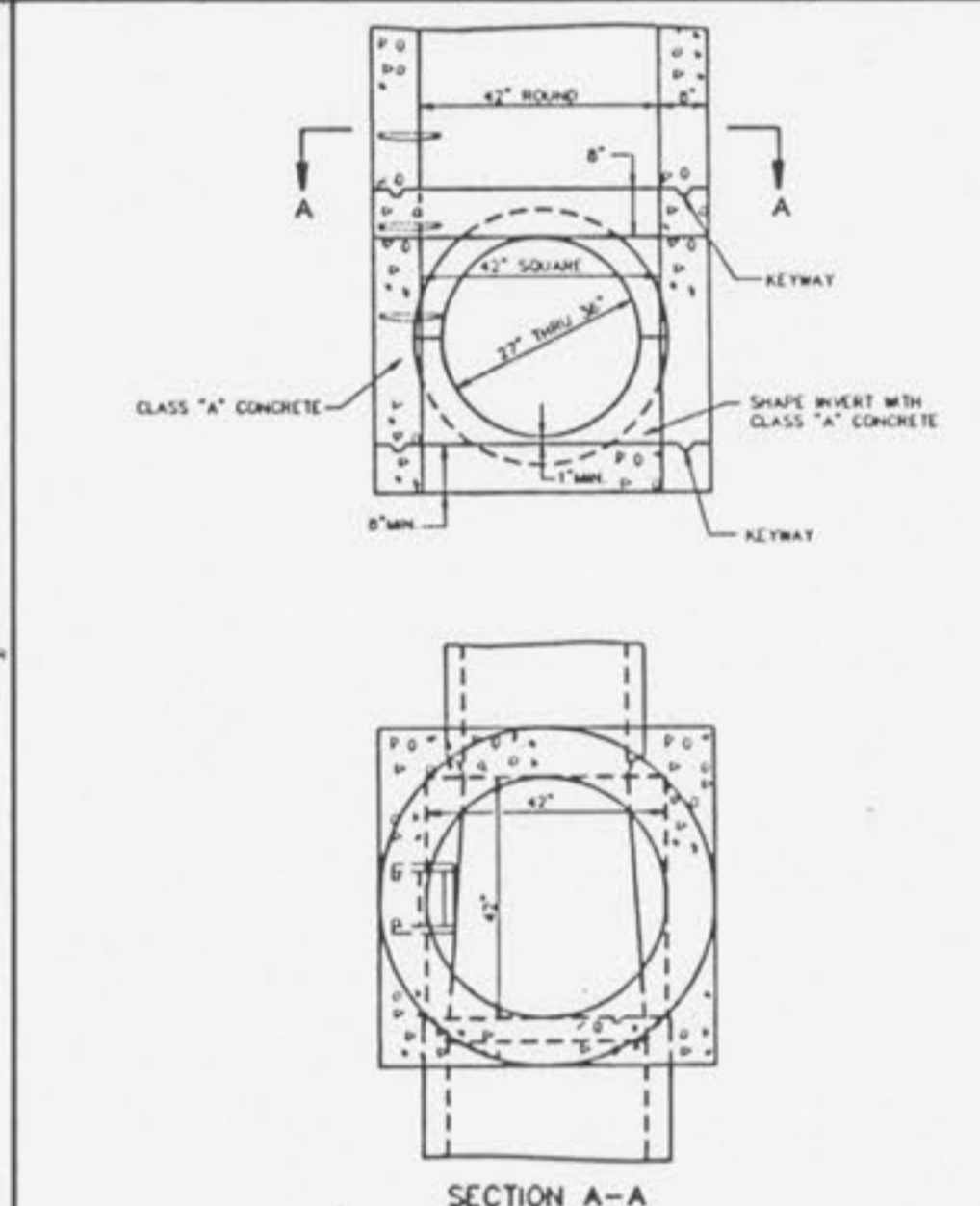
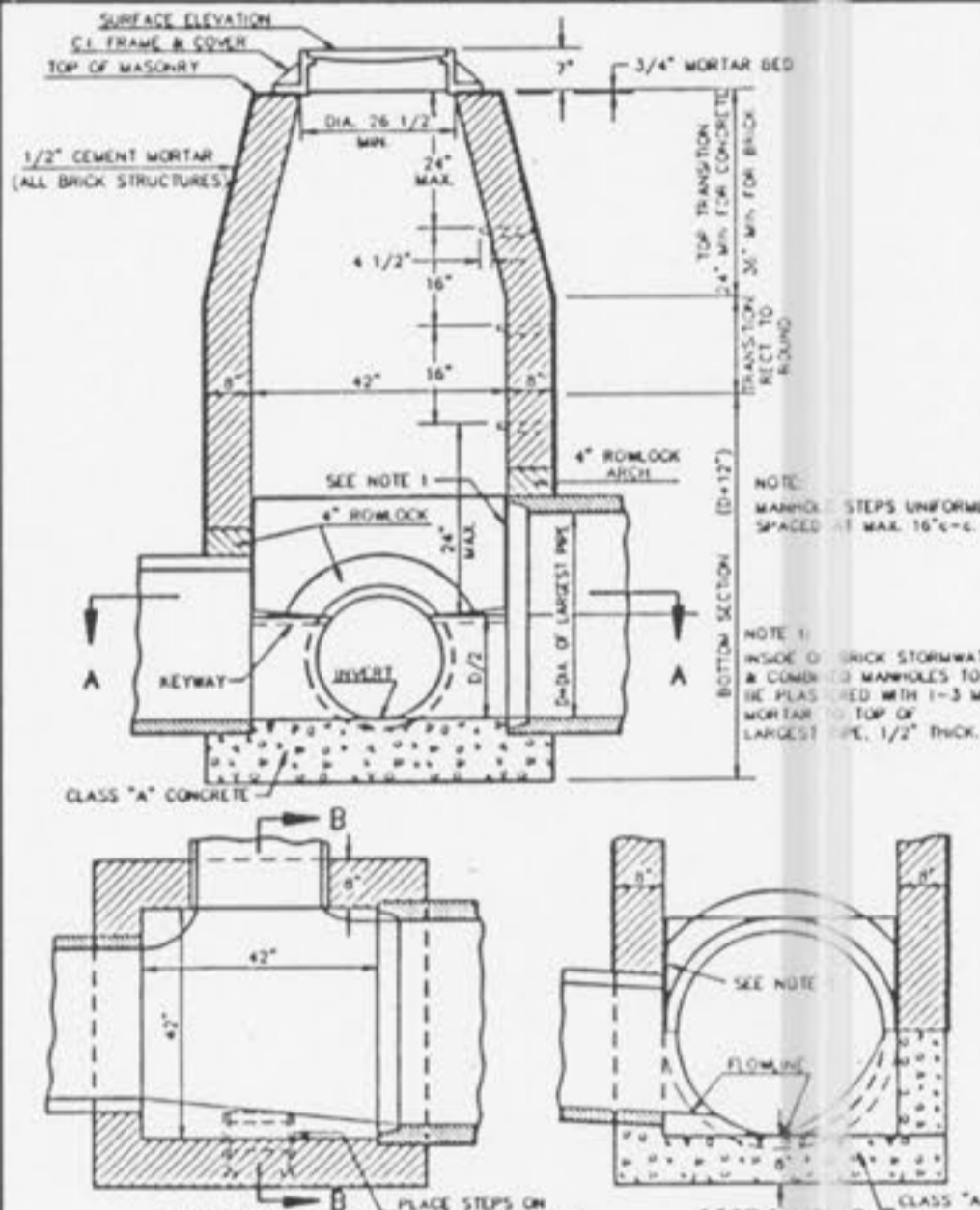
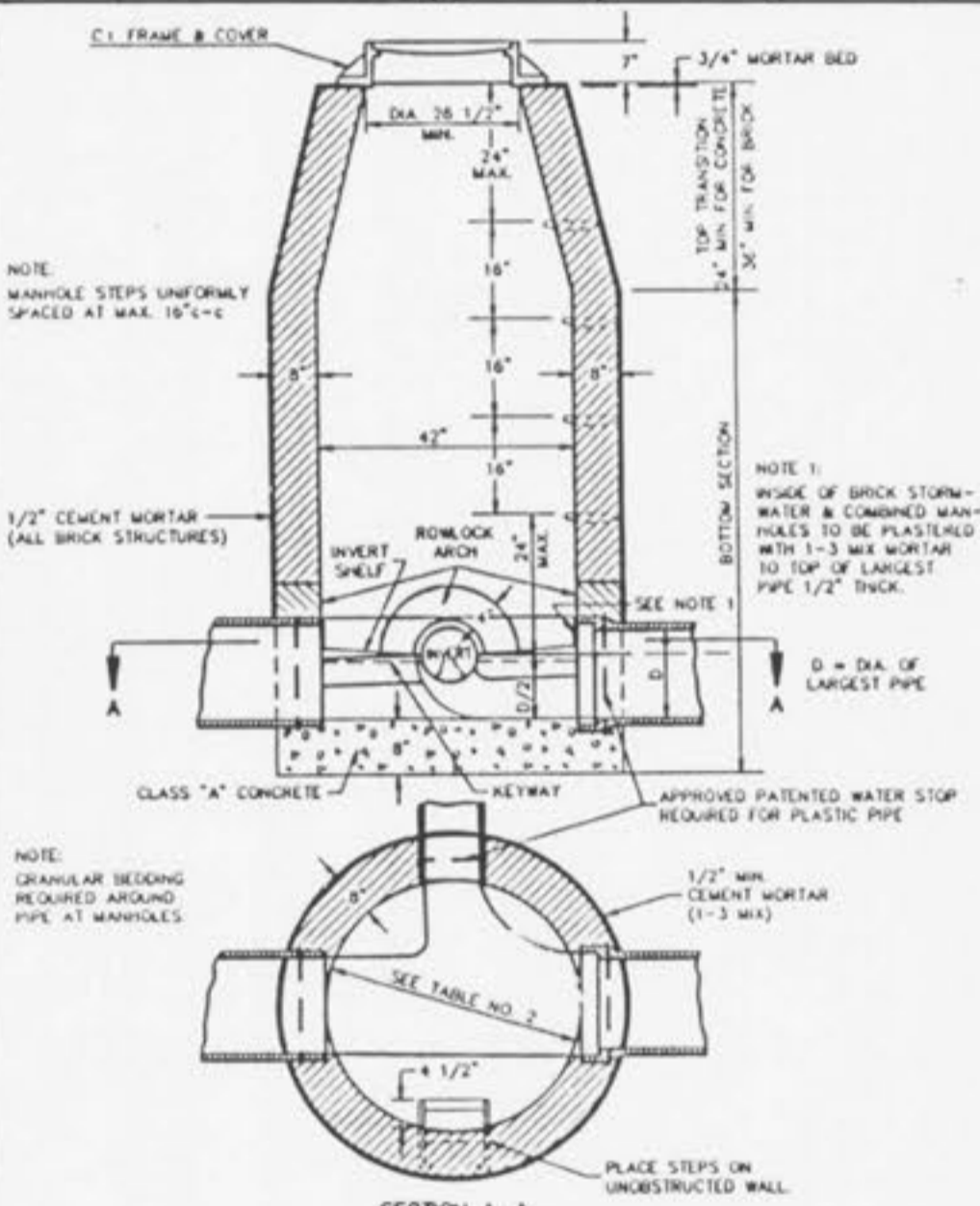
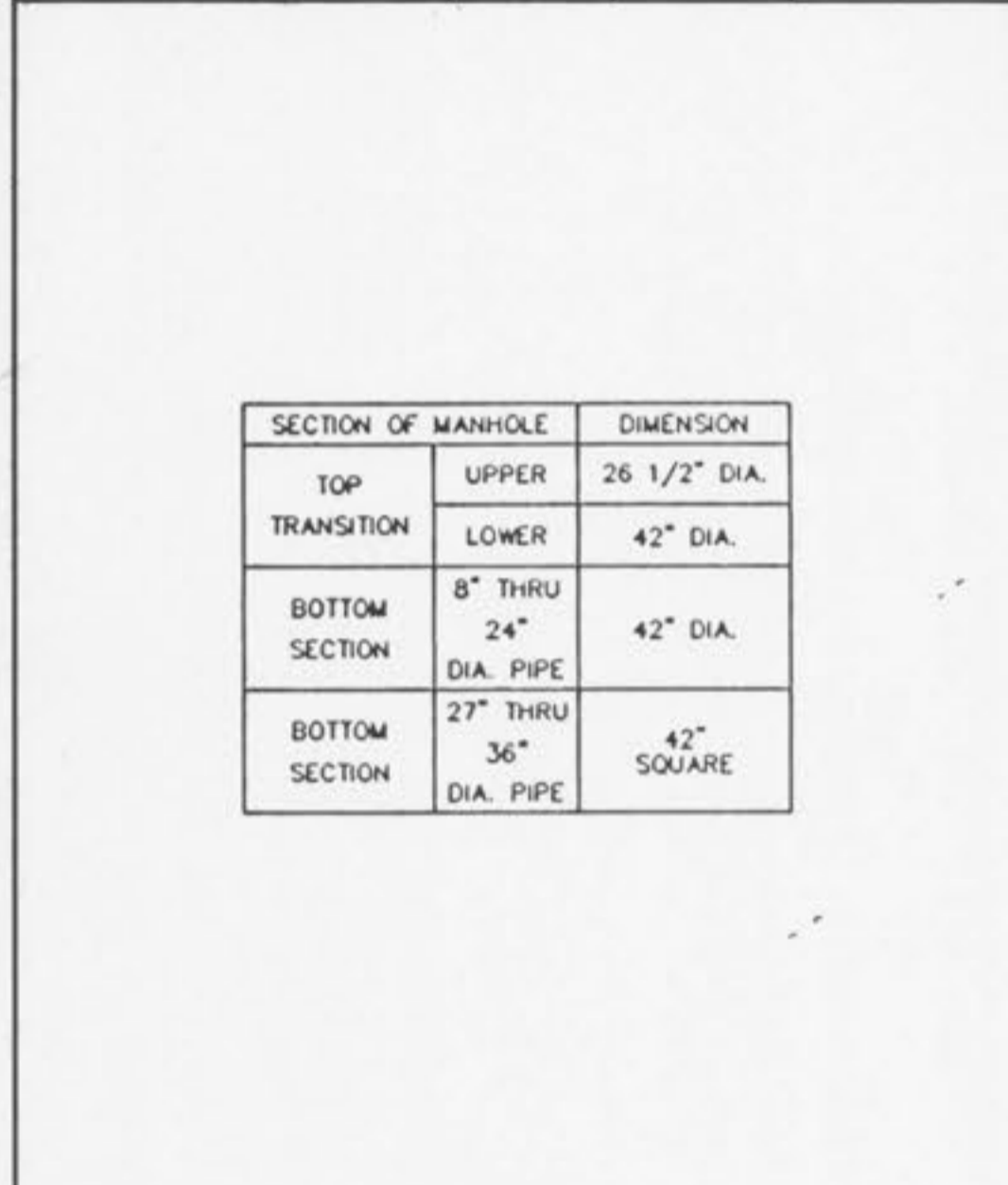


TABLE NO. 2 STANDARD MANHOLE DIMENSIONS

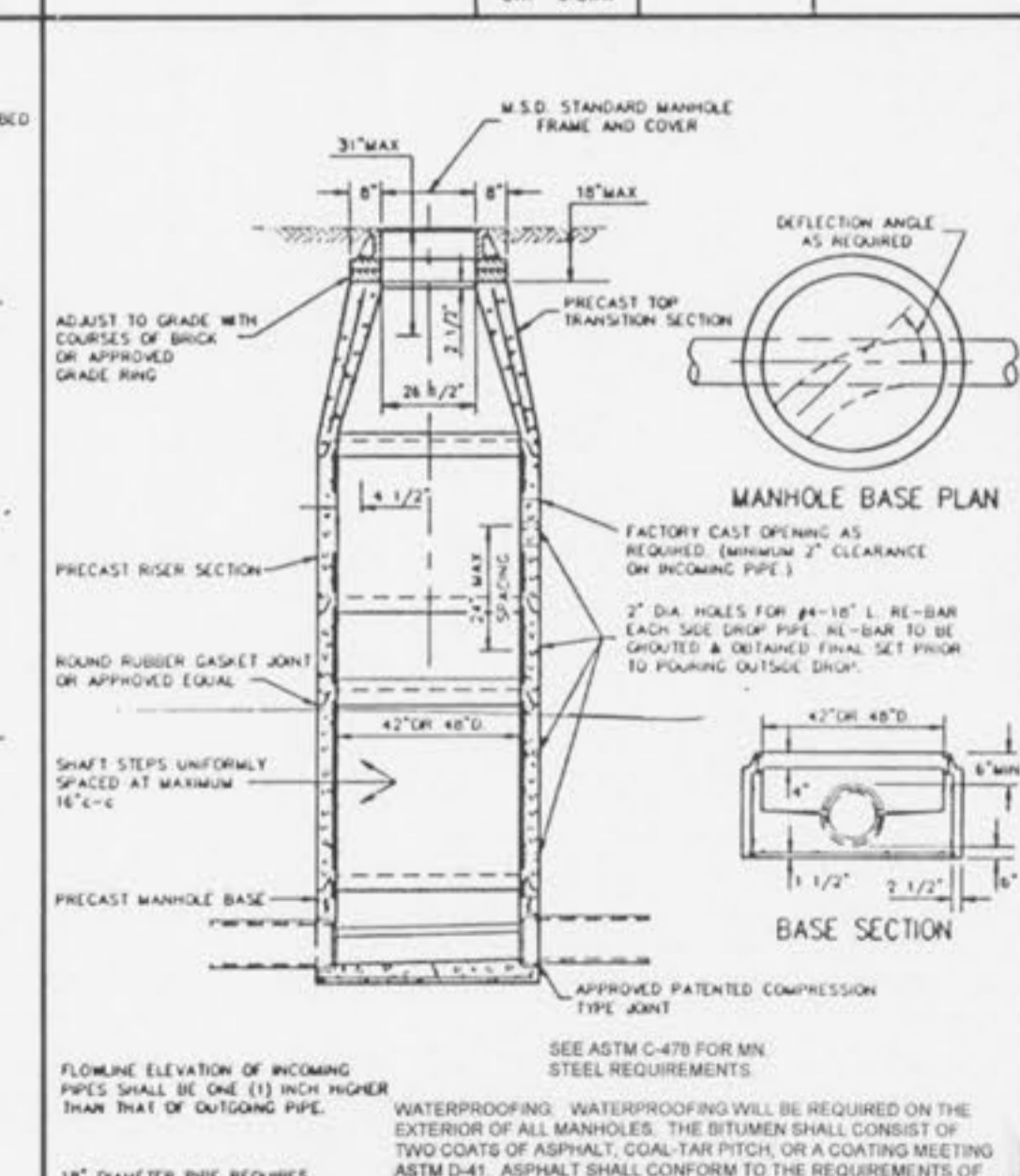
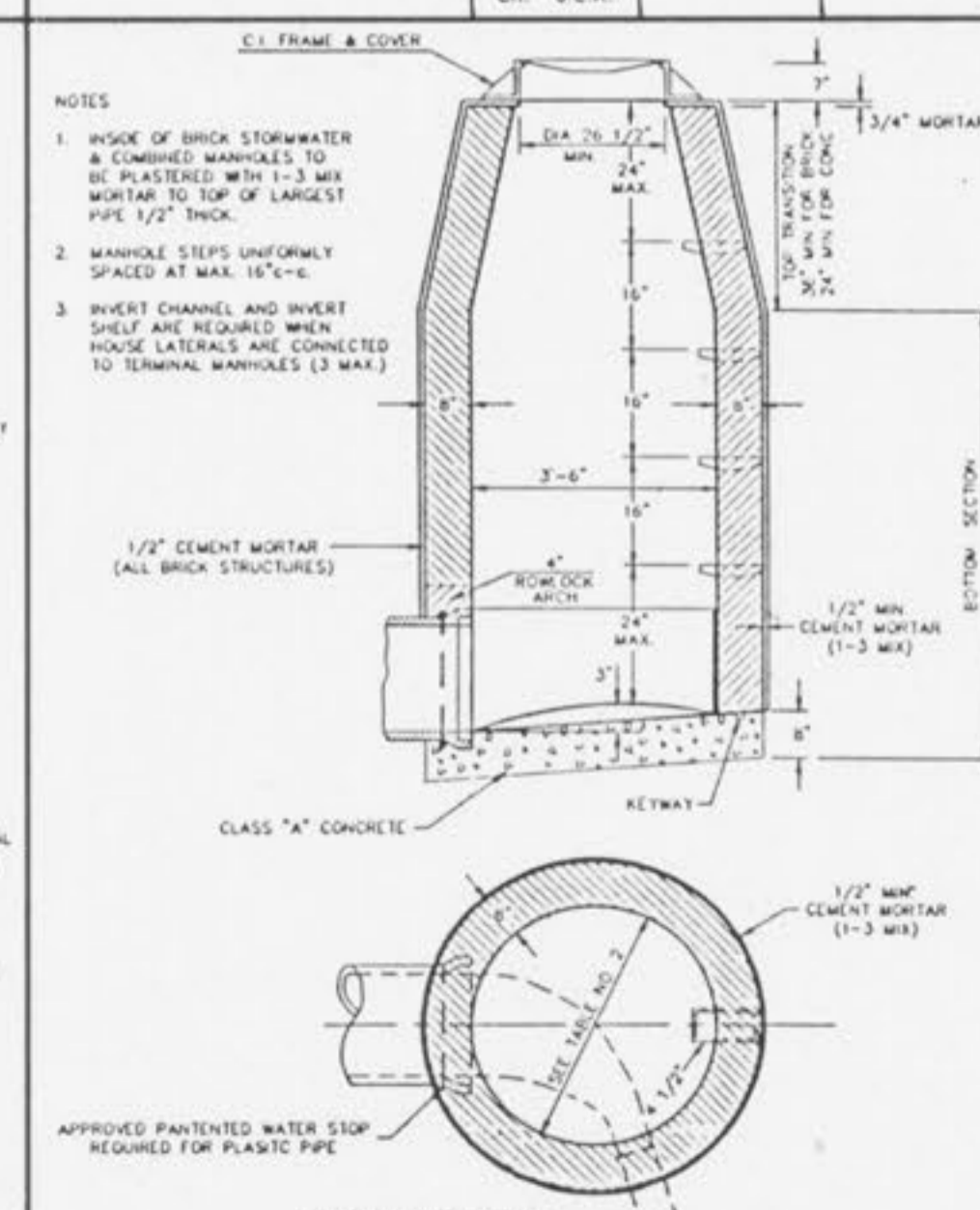
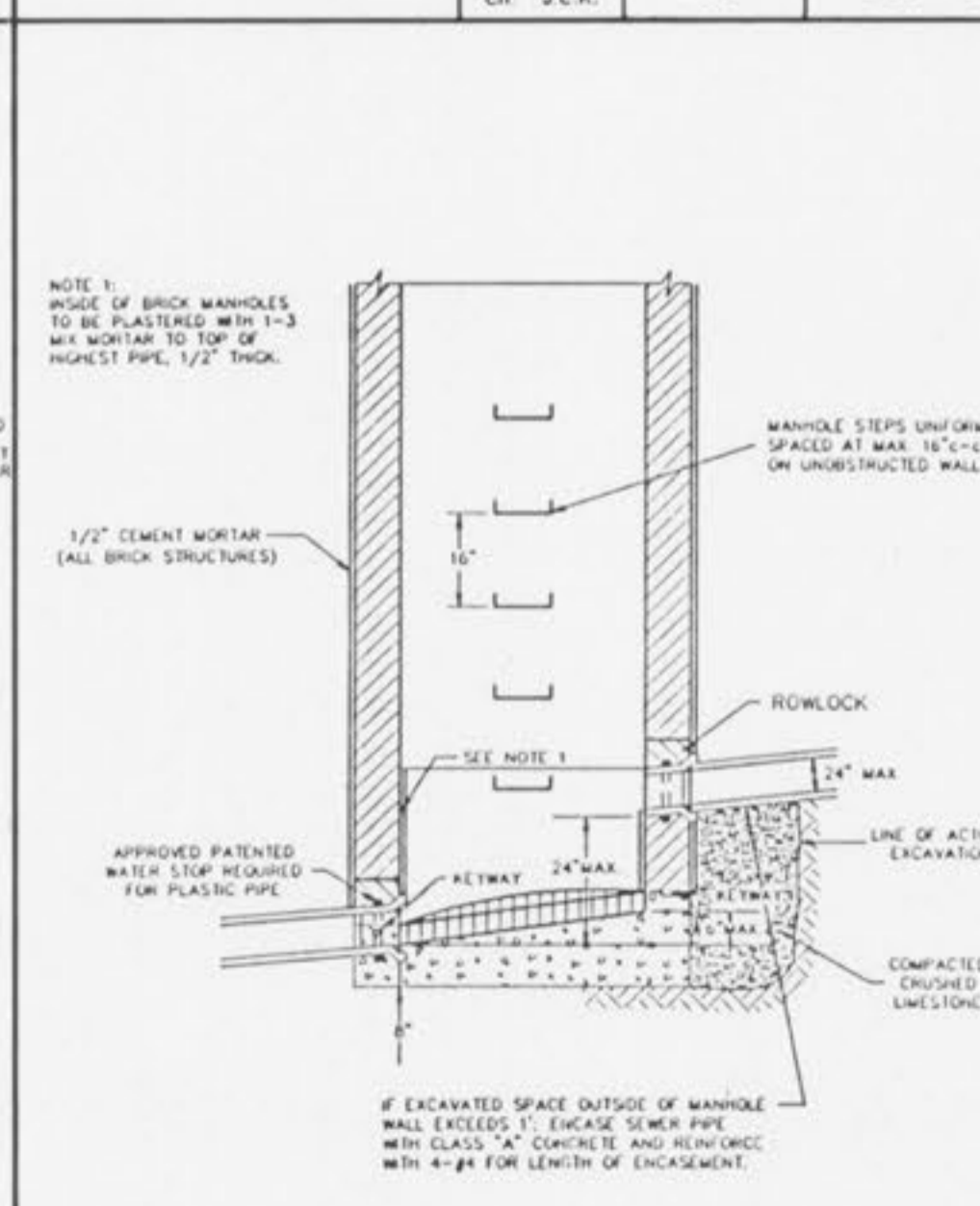
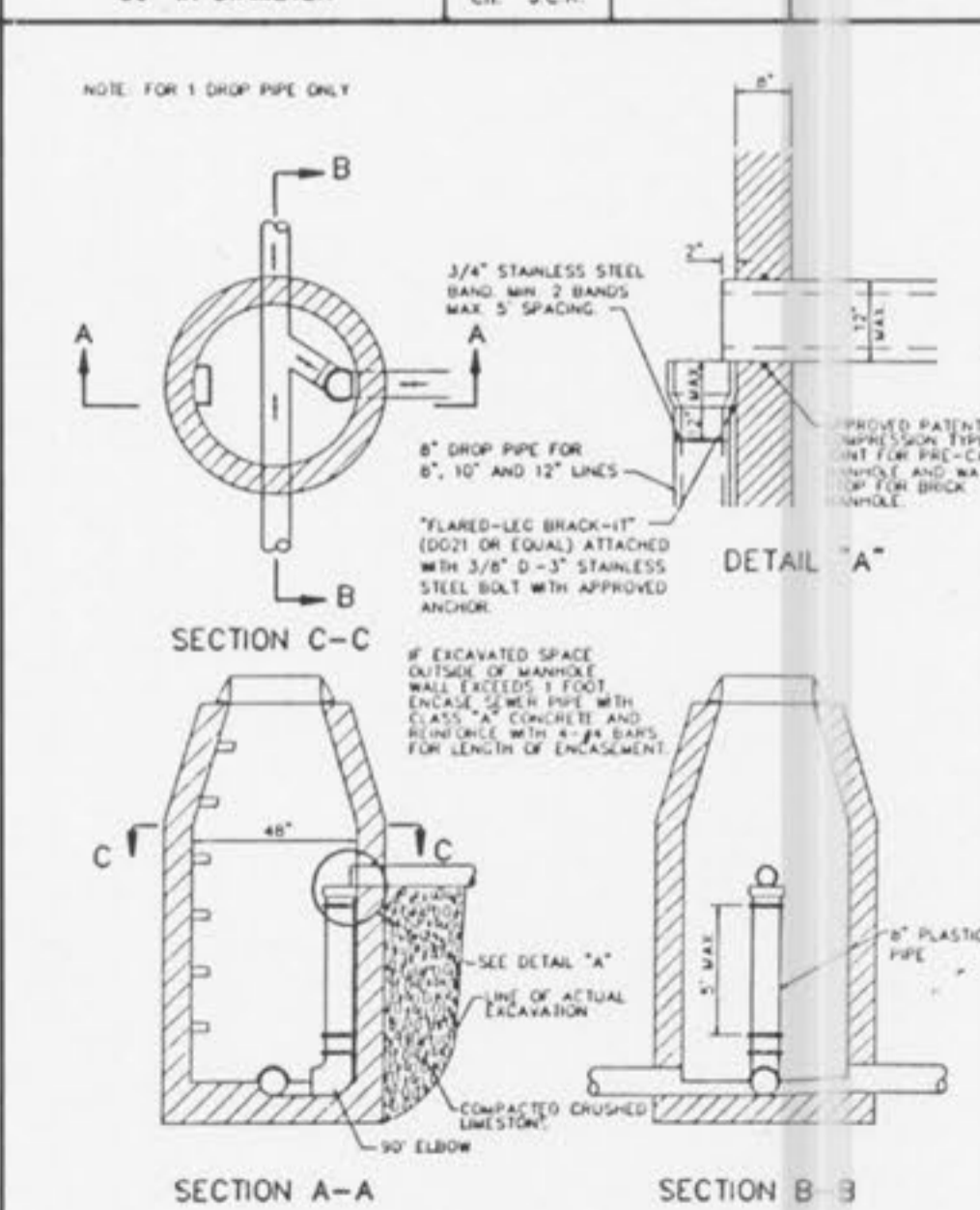
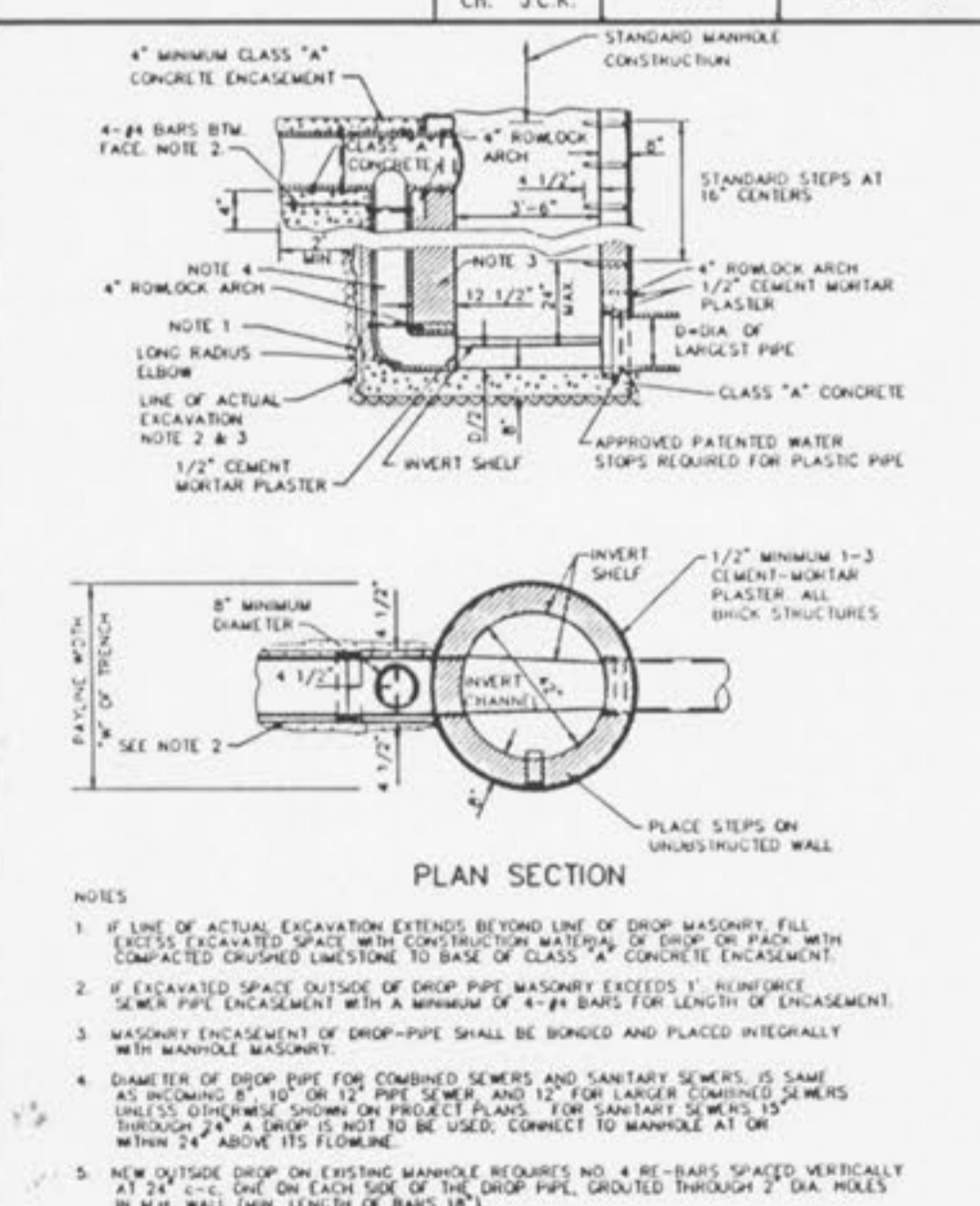
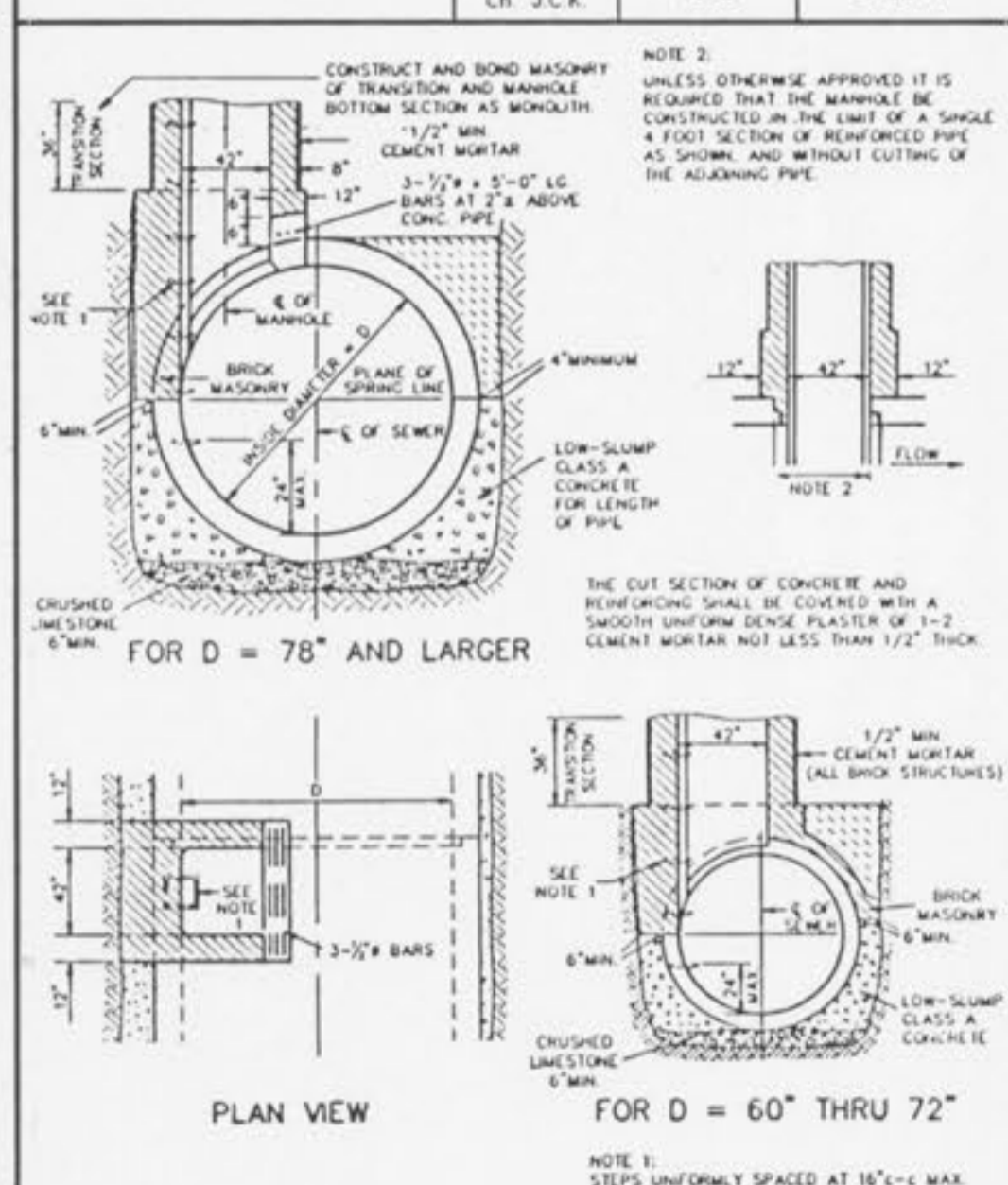
METROPOLITAN ST. LOUIS SEWER DISTRICT Standard Details of Sewer Construction

METROPOLITAN ST. LOUIS SEWER DISTRICT Standard Details of Sewer Construction

METROPOLITAN ST. LOUIS SEWER DISTRICT Standard Details of Sewer Construction

METROPOLITAN ST. LOUIS SEWER DISTRICT Standard Details of Sewer Construction

METROPOLITAN ST. LOUIS SEWER DISTRICT Standard Details of Sewer Construction



METROPOLITAN ST. LOUIS SEWER DISTRICT Standard Details of Sewer Construction

METROPOLITAN ST. LOUIS SEWER DISTRICT Standard Details of Sewer Construction

METROPOLITAN ST. LOUIS SEWER DISTRICT Standard Details of Sewer Construction

METROPOLITAN ST. LOUIS SEWER DISTRICT Standard Details of Sewer Construction

METROPOLITAN ST. LOUIS SEWER DISTRICT Standard Details of Sewer Construction

METROPOLITAN ST. LOUIS SEWER DISTRICT Standard Details of Sewer Construction