

TYPICAL PRE-CAST MH. TEE FOR REINFORCED CONCRETE PIPE SEWERS 42" AND LARGER IN DIAMETER

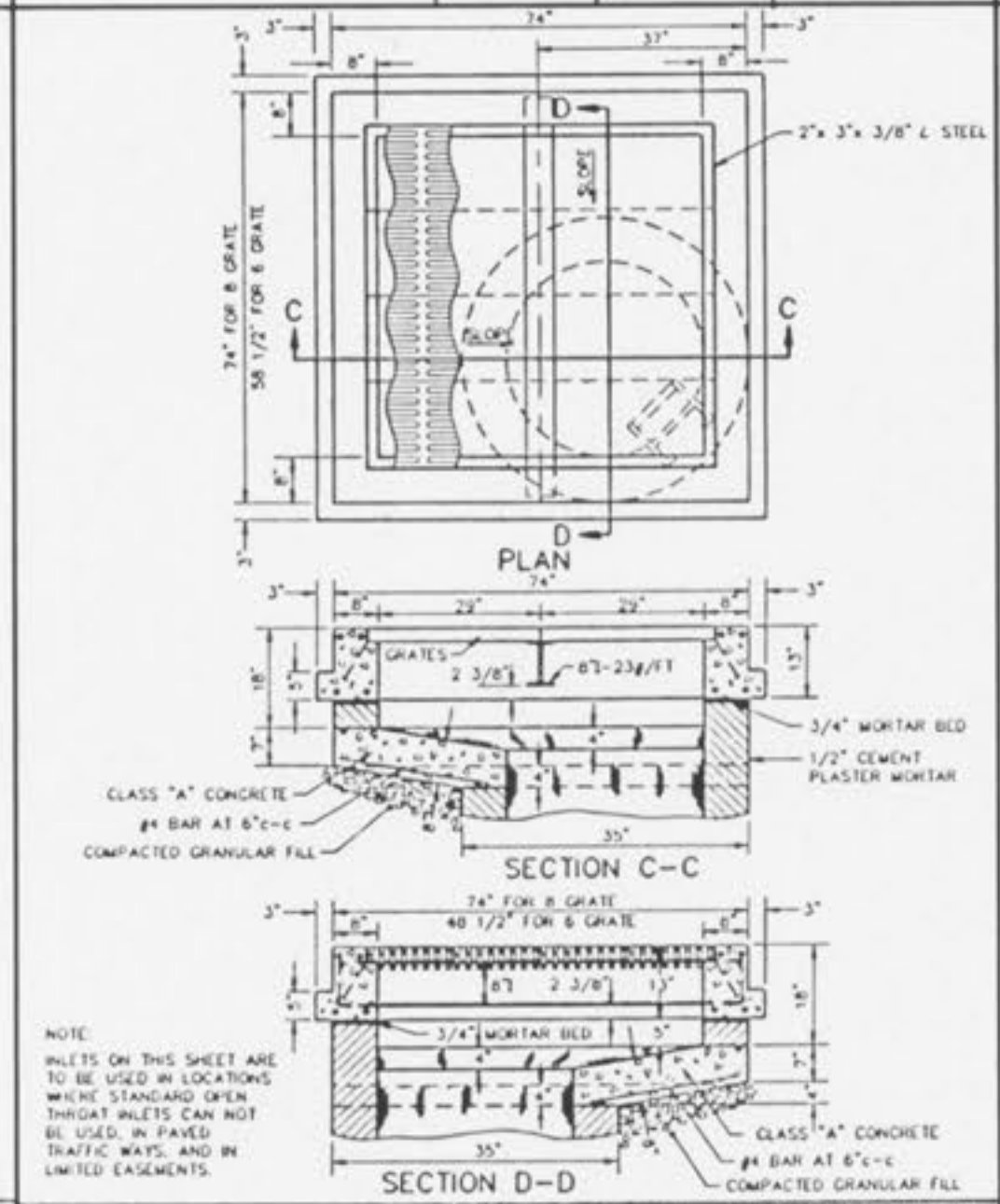
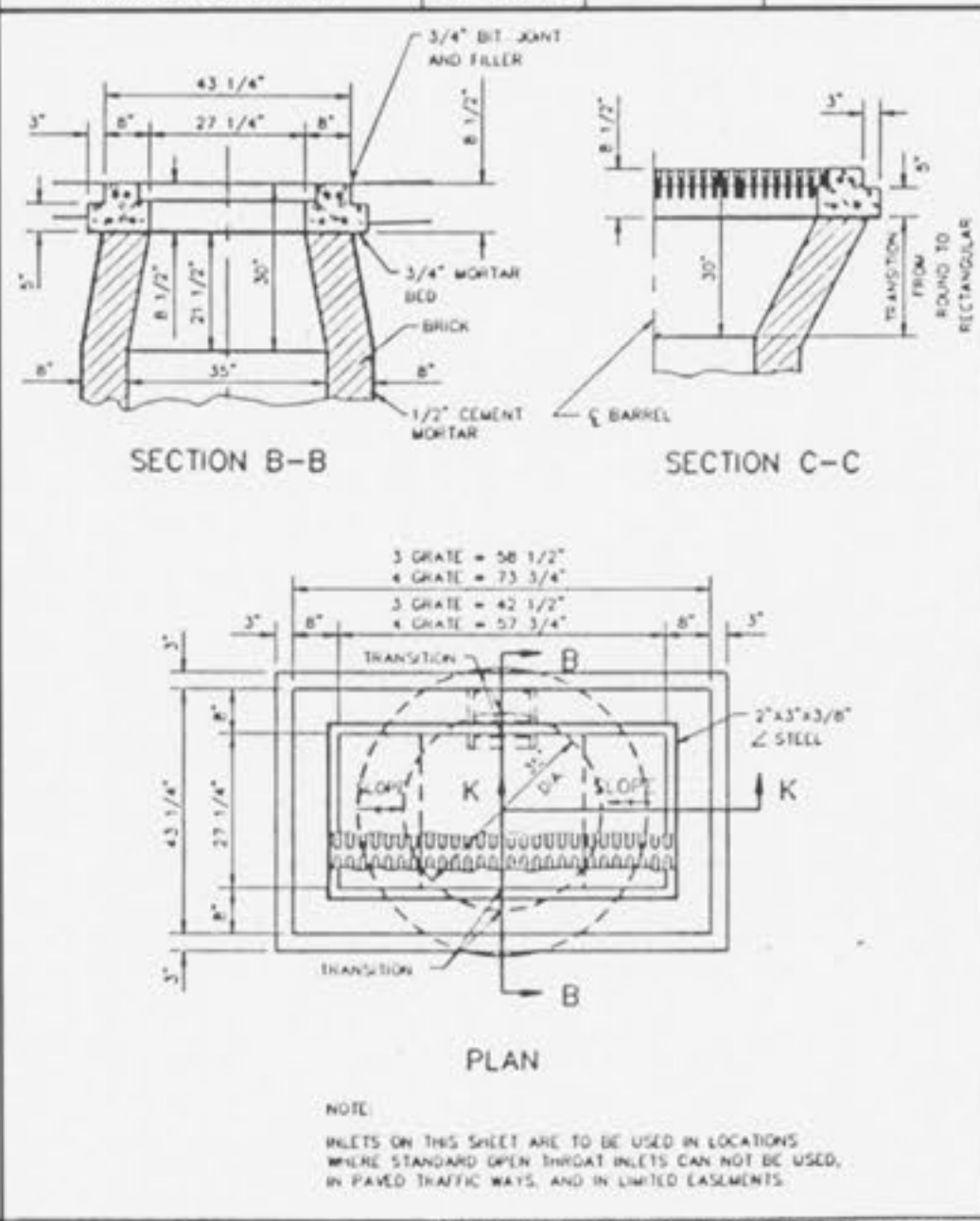
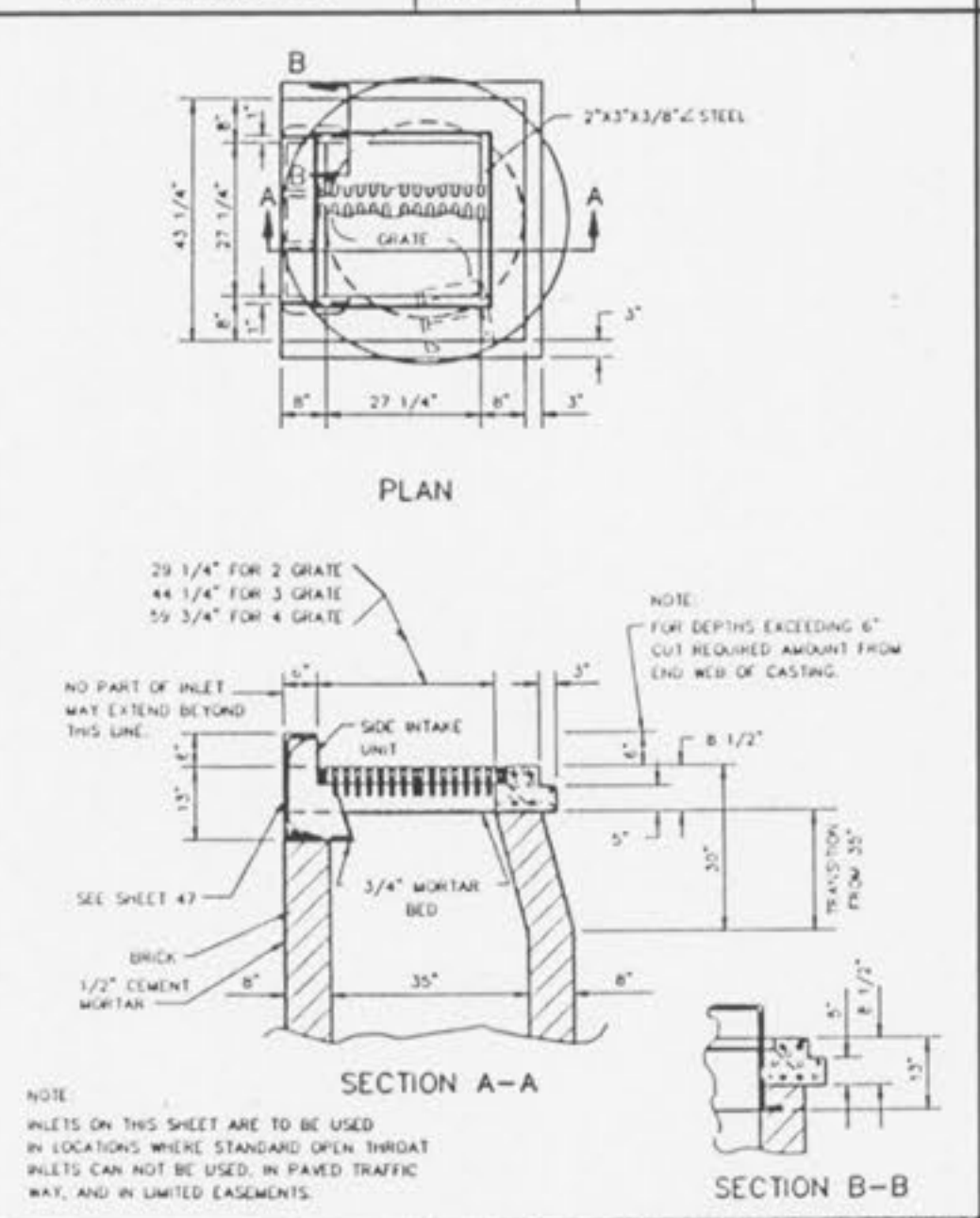
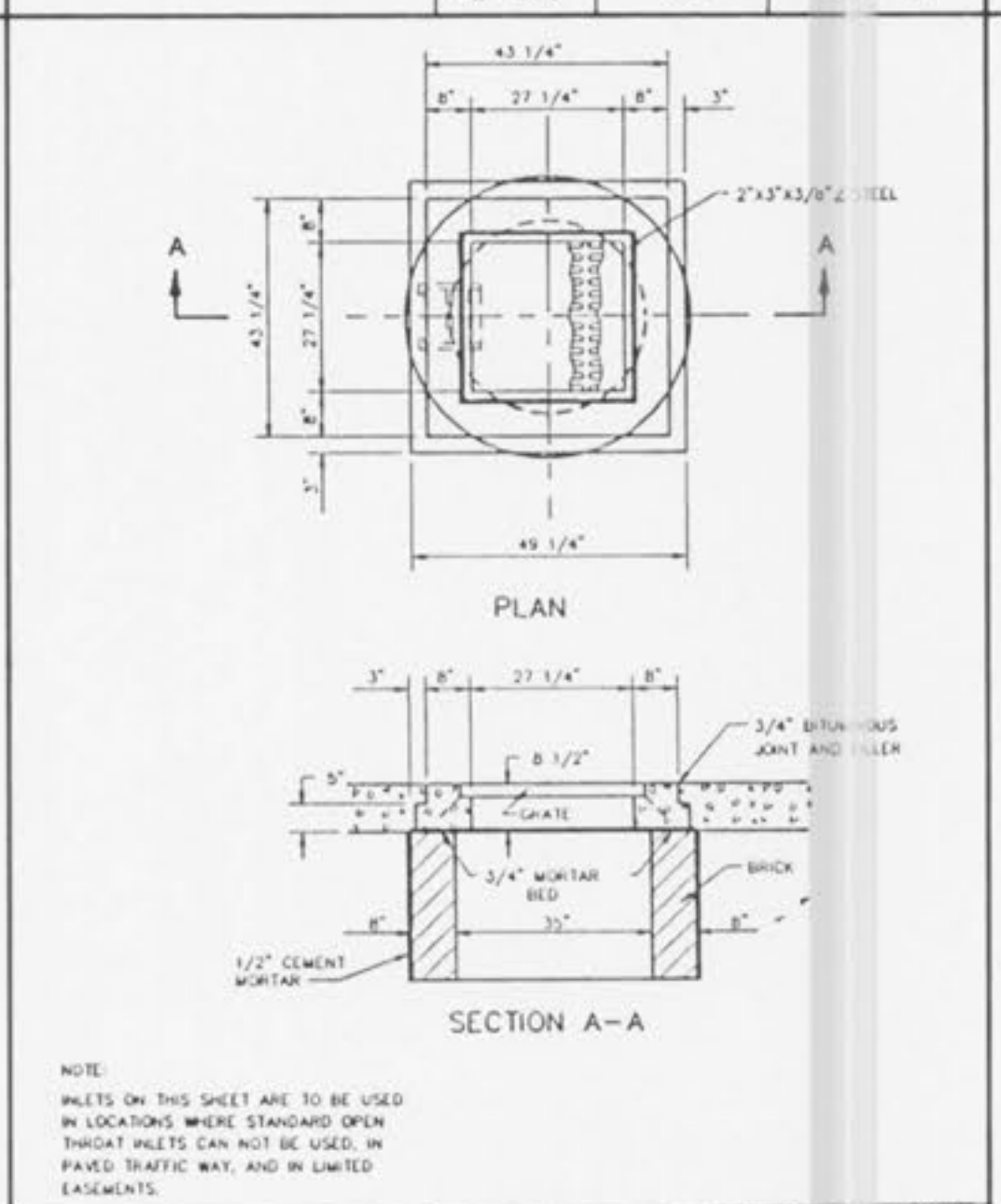
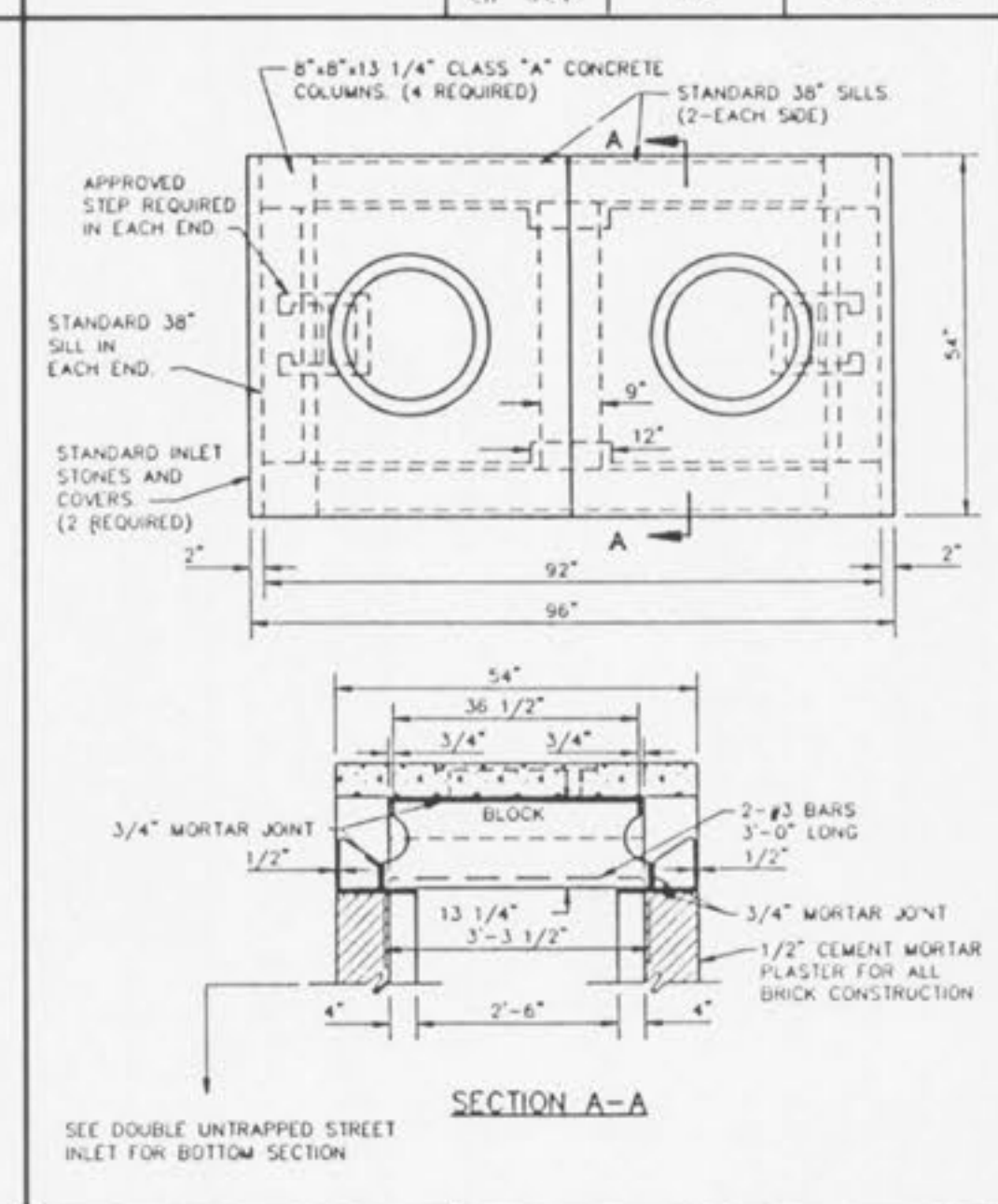
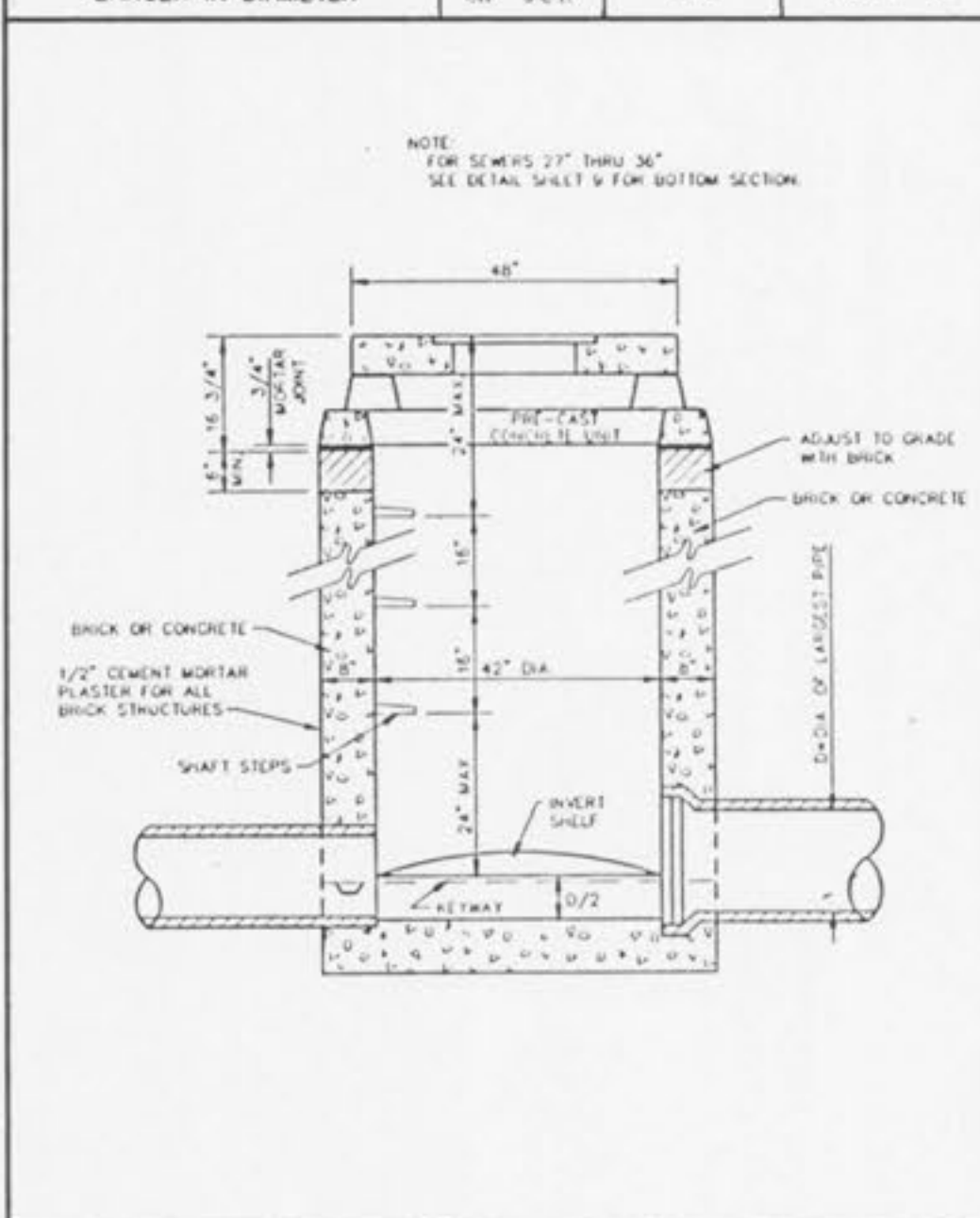
UNTRAPPED STREET INLET BRICK CONSTRUCTION

TRAPPED STREET INLET BRICK CONSTRUCTION

MULTIPLE STREET INLET BRICK CONSTRUCTION

DOUBLE UNTRAPPED STREET INLET BRICK CONSTRUCTION

AREA INLET OPEN 4 SIDES BRICK CONSTRUCTION



AREA INLET MANHOLE (12" THRU 24")

DOUBLE AREA INLET OPEN 4 SIDES BRICK CONSTRUCTION

2 GRATE INLET WITH SIDE INTAKE BRICK CONSTRUCTION

3 & 4 GRATE INLET BRICK CONSTRUCTION

6 & 8 GRATE INLET BRICK CONSTRUCTION

6 & 8 GRATE INLET BRICK CONSTRUCTION

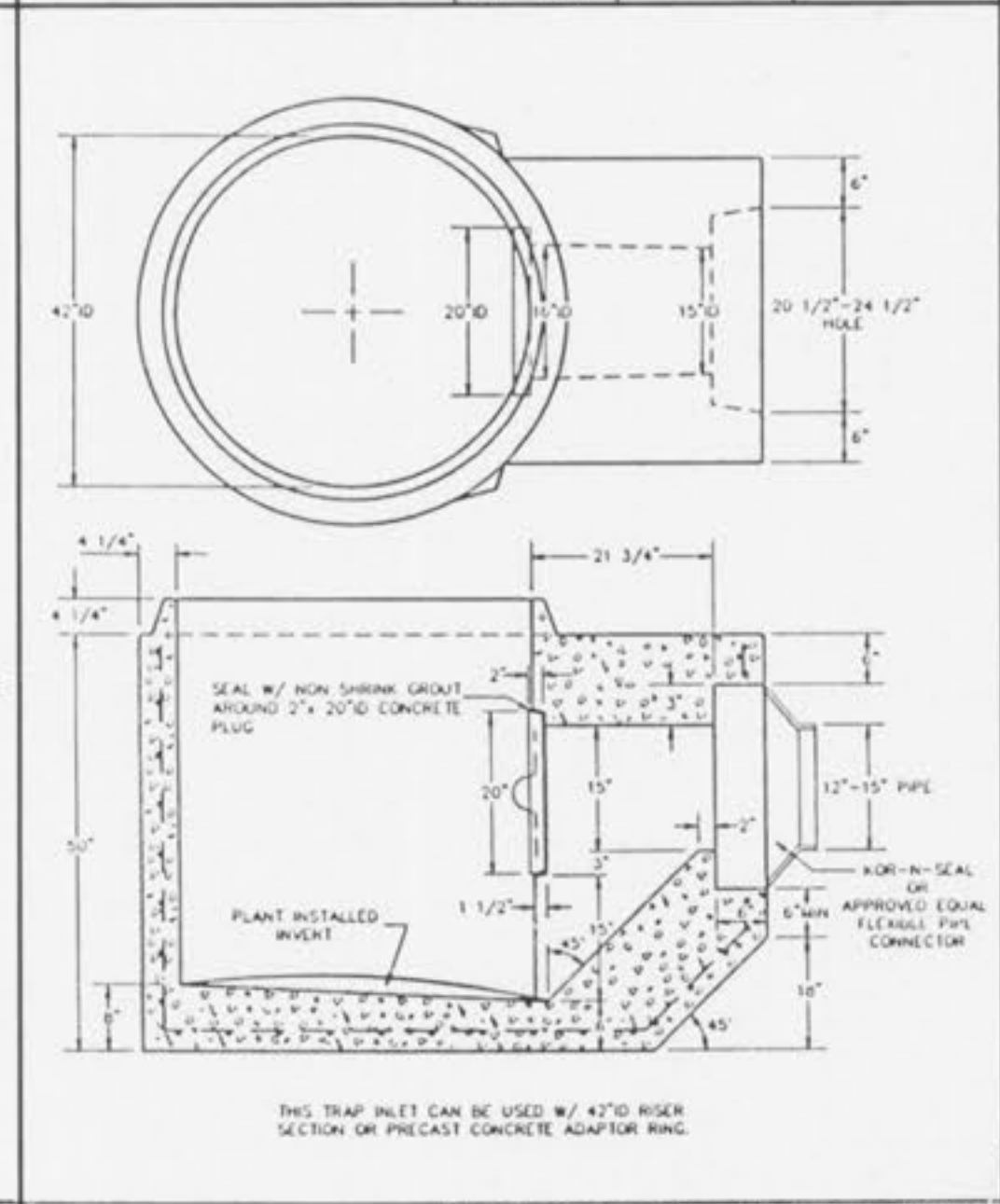
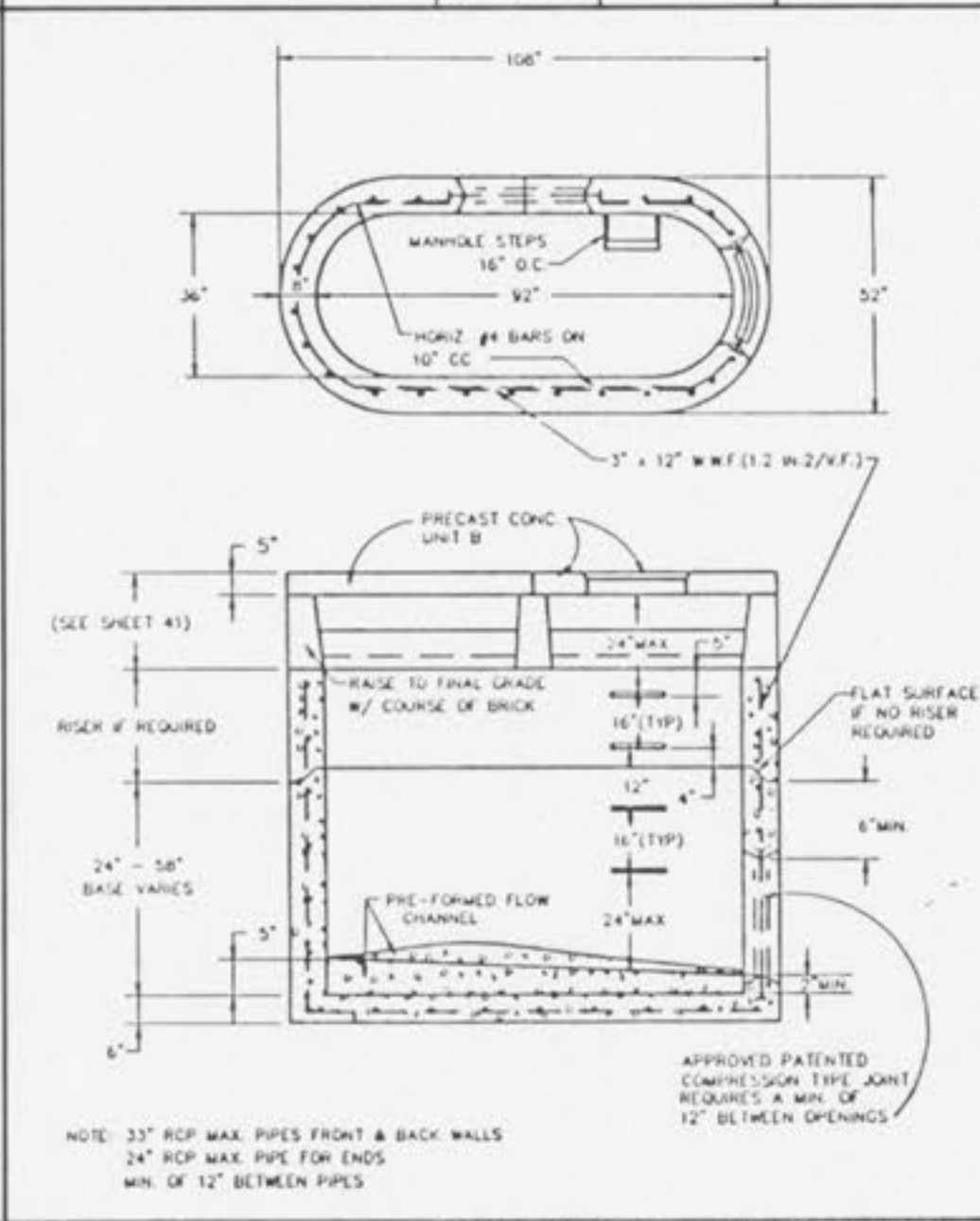
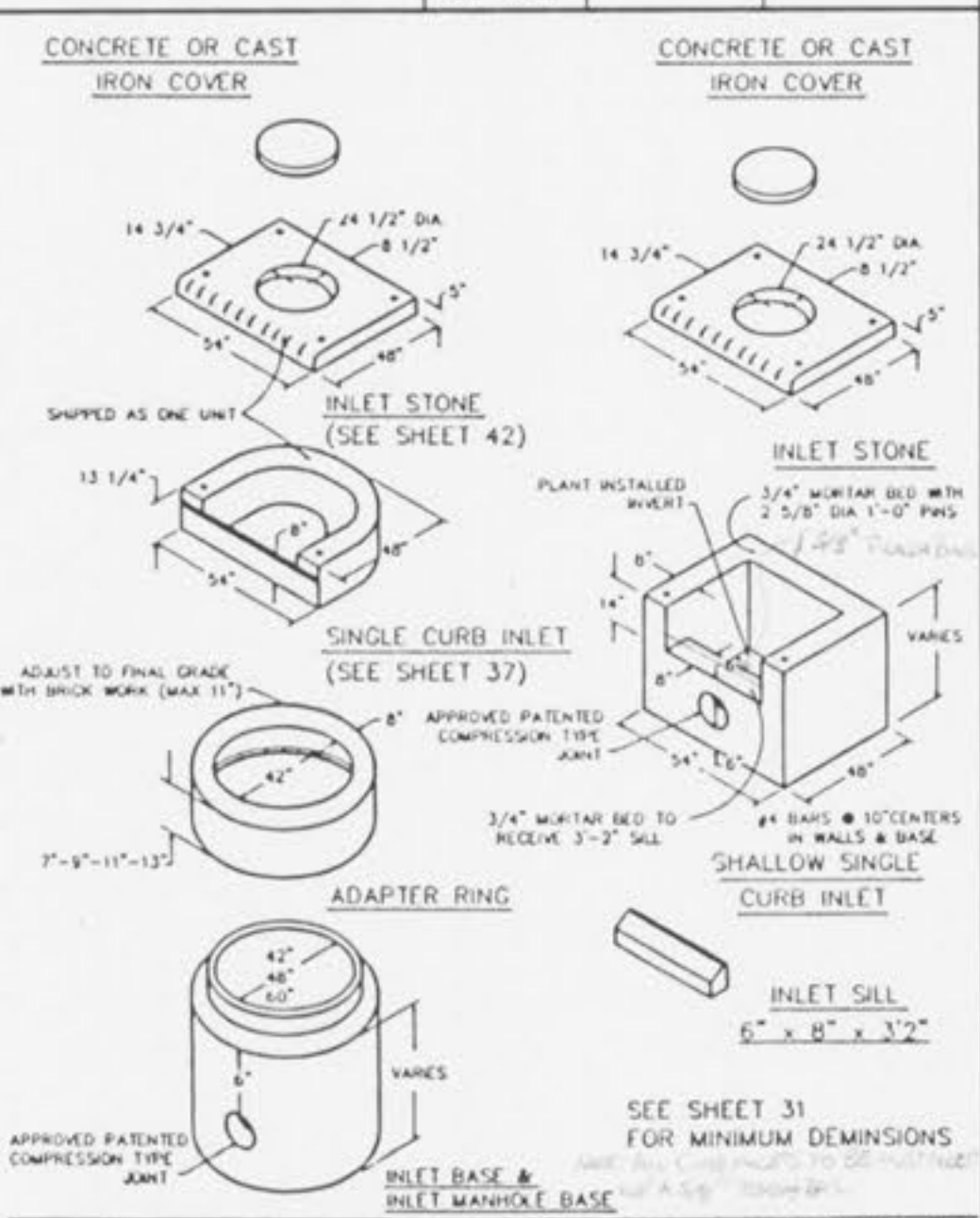
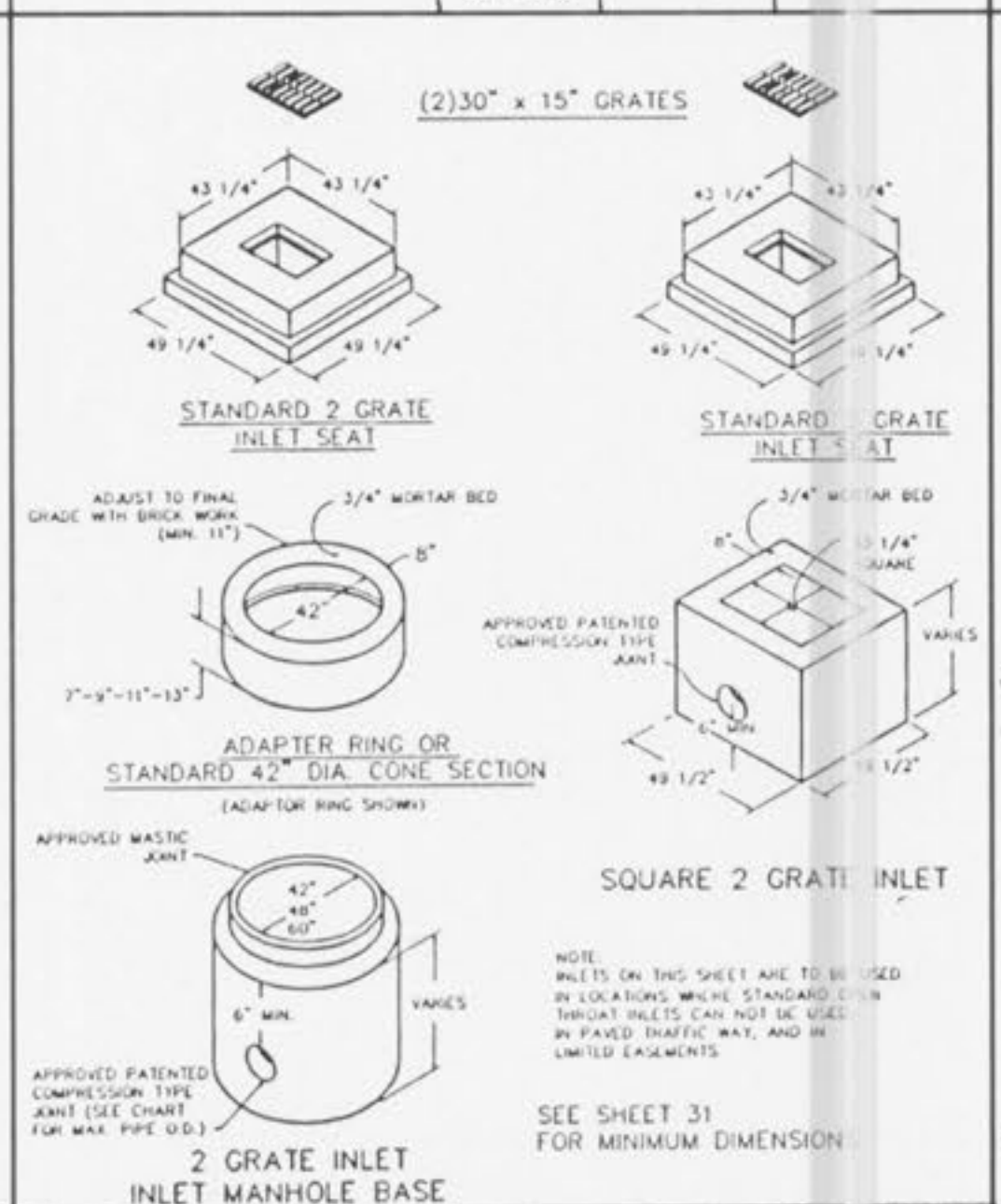
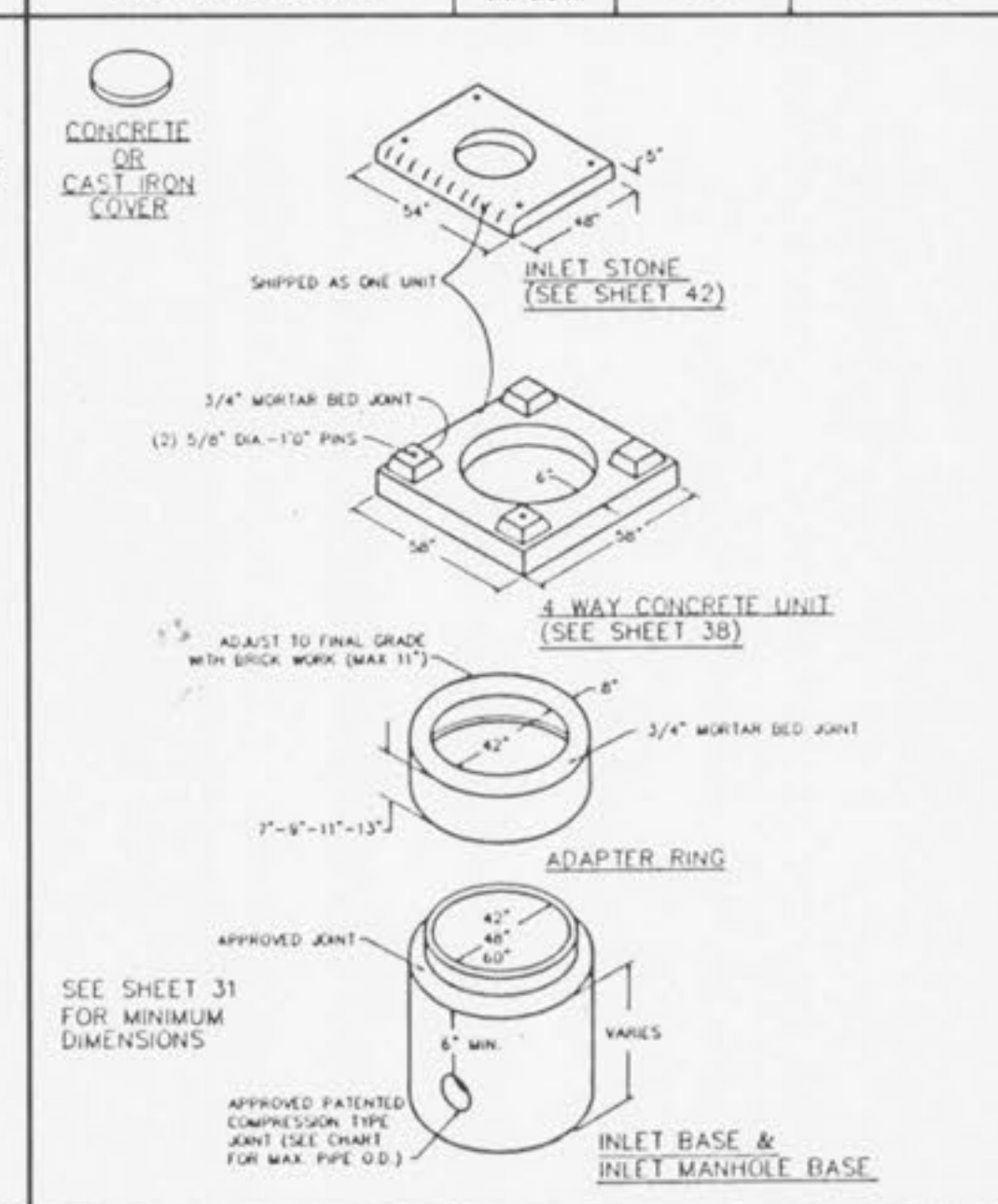
**PRECAST CONCRETE STORMWATER STRUCTURES**

MINIMUM DISTANCE FLOWLINE TO TOP OF STONE OR GRATE

PIPE ID NOMINAL WIDTHS	AREA INLET CIRCULAR BASE DIA.	2 GRATE INLET CIRCULAR BASE DIA. SQUARE	SINGLE STREET INLET CIRCULAR BASE DIA. RECTANGLE
12"	42"	36"	42"
15"	48"	42"	48"
18"	54"	48"	54"
21"	60"	54"	60"
24"	66"	60"	66"
27"	72"	66"	72"
30"	78"	72"	78"
33"	84"	78"	84"

(SEE SHEET 32 FOR DETAILS) (SEE SHEET 33 FOR DETAILS) (SEE SHEET 34 FOR DETAILS)

NOTE: 1. 42" DIA. BASE REQUIRES 3" HIGH TRANSITION SECTION TO 42" DIA. SIMILAR TO "ADAPTER RING" SHEET 32.  
2. 60" DIA. BASE REQUIRES 24" HIGH CONCENTRIC REDUCER TRANSITION TO 42" DIA. SIMILAR TO "ADAPTER RING" SHEET 32.



PRECAST CONCRETE STORMWATER STRUCTURES

AREA INLET PRECAST CONCRETE

2 GRATE INLETS PRECAST CONCRETE

SINGLE STREET INLETS PRECAST CONCRETE

DOUBLE UNTRAPPED STREET INLET PRECAST CONCRETE

TRAPPED STREET INLET BASE PRECAST CONCRETE