

GENERAL NOTES:

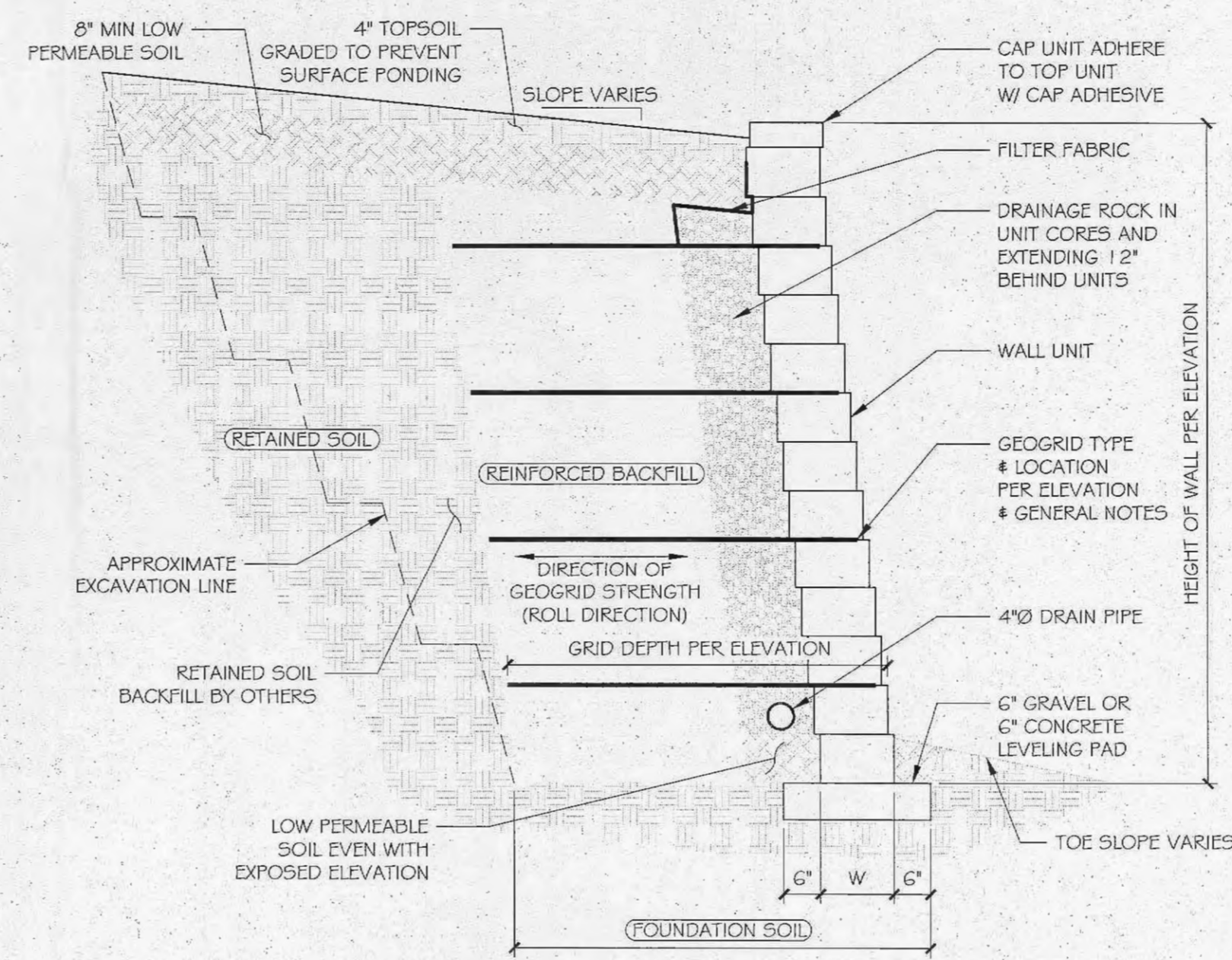
1. RETAINING WALL DESIGN:
 - 1.1. THE DESIGN OF THE SEGMENTAL RETAINING WALLS IS IN ACCORDANCE WITH NCM/AASHTO AND INCLUDES EXTERNAL STABILITY, SLIDING AND OVERTURNING OF THE REINFORCED MASS, AND INTERNAL STABILITY; PULLOUT, CONNECTION STRENGTH AND TENSILE STRENGTH OF THE GEOGRID AS WELL AS FACIAL STABILITY OF THE FACE UNITS. THE APPLIED BEARING PRESSURES ARE LISTED ON THE INDIVIDUAL ELEVATIONS.
 - 1.2. THE DESIGN OF THE SEGMENTAL RETAINING WALLS IS BASED ON THE FOLLOWING DOCUMENTS:
 - DRAWINGS 6 # 15 DATED 4/30/2015 PREPARED BY THD DESIGN GROUP, INC.
 - GEOTECHNICAL REPORT DATED OCTOBER, 2006 PREPARED BY SCI ENGINEERING, INC.
 - 1.3. THE DESIGN OF THE SEGMENTAL RETAINING WALL IS BASED ON THE INDIVIDUAL SOIL PROPERTIES AS LISTED ON THE ELEVATIONS AS WELL AS THE FOLLOWING CRITERIA:
 - SEISMIC ACCELERATION = NA
 - GROUND WATER LOCATION = 2H/3 BELOW THE TOP OF LEVEL PAD (WHERE H = HEIGHT OF WALL)
 - HYDROSTATIC LOADING = NONE
 - SURCHARGE LOADING = SEE WALL ELEVATION(S)
2. SETTLEMENT:
 - 2.1. SEGMENTAL RETAINING WALLS ARE FLEXIBLE MASSES THAT CAN TOLERATE MINOR SETTLEMENT. ROSCH ENGINEERING SHALL BE NOTIFIED OF ANY SETTLEMENT SENSITIVE RIGID MASSES FOUNDED ON OR ABOVE THE SEGMENTAL RETAINING WALL.
3. MATERIAL PROPERTIES:
 - 3.1. SEGMENTAL CONCRETE WALL UNITS SHALL BE MANUFACTURED IN ACCORDANCE WITH ASTM C1372 HAVING A MINIMUM 28-DAY COMPRESSIVE STRENGTH OF 3,000 PSI AND A MAXIMUM MOISTURE ABSORPTION OF 8%. ALL UNITS SHALL BE SOUND AND FREE OF CRACKS OR OTHER DEFECTS THAT WOULD INTERFERE WITH THE PROPER PLACING OF THE UNIT OR SIGNIFICANTLY IMPAIR THE STRENGTH OR PERFORMANCE OF THE CONSTRUCTION.
 - 3.2. DRAINAGE ROCK SHALL BE A CLEAN CRUSHED STONE OR GRANULAR FILL SUCH AS 1" CLEAN MEETING THE FOLLOWING GRADATION AS DETERMINED IN ACCORDANCE WITH ASTM D 422:

SIEVE SIZE	PERCENT PASSING
1 INCH	100
3/4 INCH	75-100
NO. 4	0-60
NO. 40	0-50
NO. 200	0-5
 - 3.3. COMPACTED ROCK SHALL BE FREE OF ORGANIC MATERIAL. THE ROCK SHALL BE A WELL GRADED GRAVEL OR LIMESTONE WITH A MAXIMUM PARTICLE SIZE OF 2" AND A MAXIMUM OF 20% PASSING A NO. 200 SIEVE. LIMESTONE SCREENINGS MEETING THESE REQUIREMENTS ARE ACCEPTABLE.
 - 3.4. LOW PERMEABLE SOIL SHALL CONSIST OF MATERIAL HAVING A MINIMUM PLASTICITY INDEX OF 10. NO MORE THAN 10% SHALL BE RETAINED ON A NO. 4 SIEVE AND NO LESS THAN 35% SHALL PASS A NO. 200 SIEVE. MATERIAL WITH A USC DESIGNATION OF ML, CL, OR OL ARE ACCEPTABLE FOR USE AS LOW PERMEABLE SOIL.
 - 3.5. THE GEOGRID SHALL BE A HIGH DENSITY POLYETHYLENE EXPANDED SHEET OR POLYESTER WOVEN FIBER MATERIAL SPECIFICALLY FABRICATED FOR USE AS SOIL REINFORCEMENT. ACCEPTABLE GEOGRID TYPES AND MANUFACTURER AS FOLLOWS:
 - STRATAGRID 200 AS MANUFACTURED BY STRATA SYSTEMS, INC.
 - STRATAGRID 350 AS MANUFACTURED BY STRATA SYSTEMS, INC.
 - STRATAGRID 550 AS MANUFACTURED BY STRATA SYSTEMS, INC.
 - 3.6. GEOTEXTILE FILTER FABRIC SHALL BE A NONWOVEN GEOTEXTILE COMPOSED OF POLYPROPYLENE FIBERS WITH A MINIMUM FLOW RATE OF 140 GPM/FT² WHEN TESTED ACCORDING TO ASTM D 4491.
 - 3.7. DRAINAGE PIPE SHALL BE A 4" PERFORATED OR SLOTTED PVC OR CORRUGATED HDPE PIPE.
 - 3.8. DRAINAGE PIPE SHALL BE MANUFACTURED IN ACCORDANCE WITH ASTM F 405 OR ASTM F 758.
 - 3.9. CONSTRUCTION ADHESIVE SHALL BE EXTERIOR GRADE ADHESIVE AS RECOMMENDED BY THE SEGMENTAL CONCRETE WALL UNIT MANUFACTURER.
4. EXCAVATION:
 - 4.1. THE CONTRACTOR SHALL EXCAVATE TO THE LINES AND GRADES SHOWN ON THE PLANS. THE CONTRACTOR SHALL TAKE PRECAUTIONS TO MINIMIZE OVER-EXCAVATION.
 - 4.2. EXCAVATION SUPPORT, INCLUDING THE STABILITY OF THE EXCAVATION AND ITS INFLUENCE ON ADJACENT PROPERTY IS THE RESPONSIBILITY OF THE CONTRACTOR.
5. FOUNDATION SOIL PREPARATION:
 - 5.1. FOLLOWING EXCAVATION FOR THE LEVELING PAD AND THE REINFORCED SOIL ZONE, FOUNDATION SOIL SHALL BE EXAMINED BY THE OWNER'S GEOTECHNICAL ENGINEER TO ASSURE THE ACTUAL FOUNDATION SOIL STRENGTH MEETS OR EXCEEDS THE ASSUMED DESIGN BEARING STRENGTH. SOIL NOT MEETING THE REQUIRED STRENGTH SHALL BE REMOVED AND REPLACED WITH SOIL MEETING THE DESIGN CRITERIA, AS DIRECTED BY THE OWNER'S GEOTECHNICAL ENGINEER.
 - 5.2. FOUNDATION SOIL IS DEFINED AS THE SOIL UNDER THE SEGMENTAL RETAINING WALL VOLUME, EXTENDING FROM THE TOE OF THE LEVELING PAD TO THE BACK OF THE REINFORCED MASS.
6. BASE LEVELING PAD INSTALLATION:
 - 6.1. LEVELING PAD SHALL BE PLACED AS SHOWN ON THE DRAWINGS AS FOLLOWS:
 - LEAN CONCRETE (2,000 PSI) - 6" MINIMUM THICK
 - WELL GRADED 1" GRAVEL WITH FINES - 6" MINIMUM THICK
 - SAND OR GRAVEL BASE SHALL BE COMPACTED WITH 3 PASSES OF A VIBRATORY COMPACTOR TO PROVIDE A FIRM, LEVEL BEARING PAD.
 - 6.3. LEAN CONCRETE SHALL CURE A MINIMUM OF 12 HOURS PRIOR TO UNIT PLACEMENT.
 - 6.4. LEVELING PAD SHALL BE CONSTRUCTED TO INSURE FULL BEARING OF RETAINING WALL UNITS.

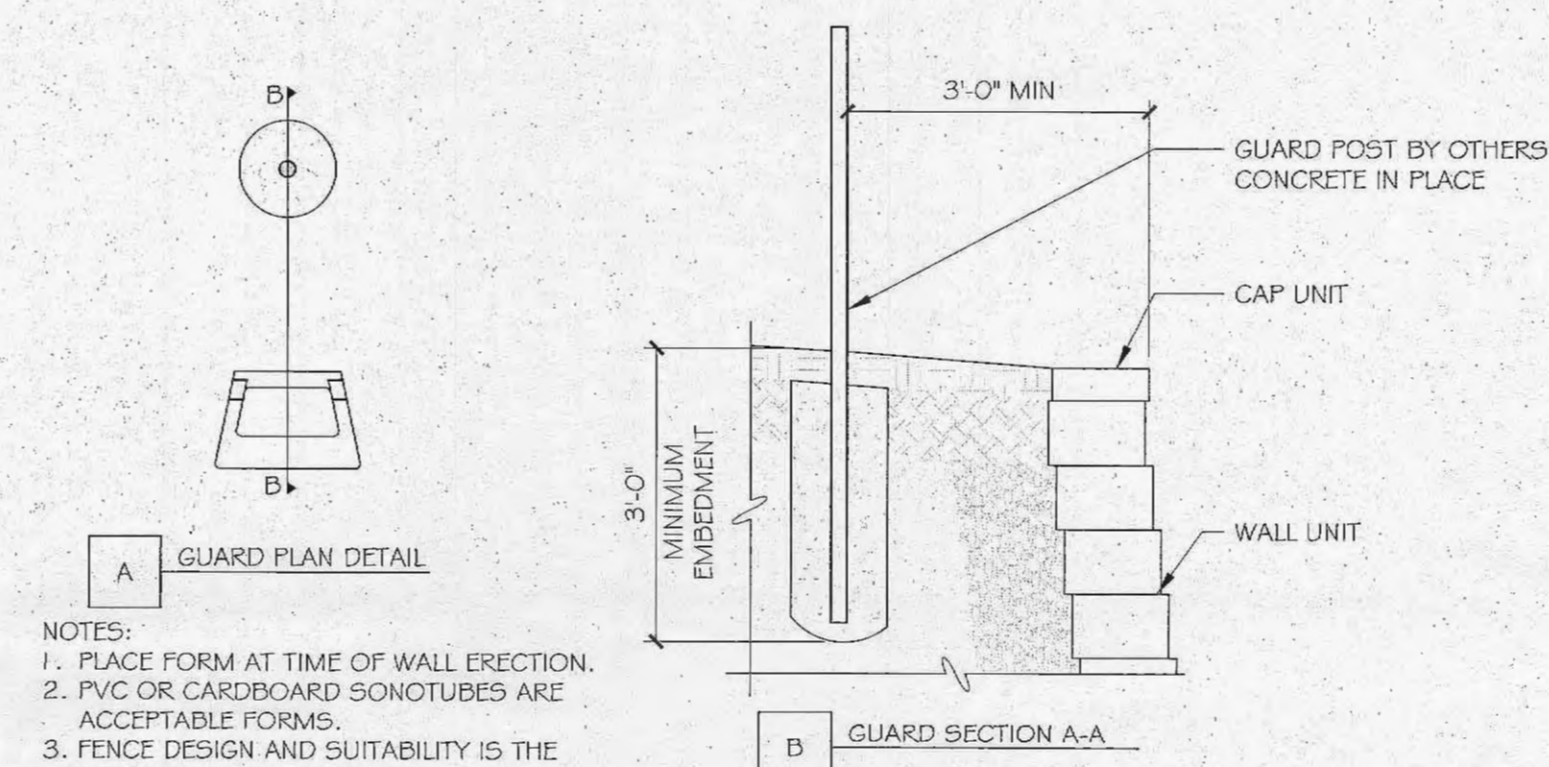
7. UNIT INSTALLATION:
 - 7.1. THE FIRST COURSE OF SEGMENTAL CONCRETE WALL UNITS SHALL BE PLACED ON THE LEVELING PAD AND CHECKED FOR LEVEL, ALIGNMENT, AND FULL CONTACT WITH BASE.
 - 7.2. UNITS SHALL BE PLACED SIDE BY SIDE FOR FULL LENGTH OF WALL. ALIGNMENT SHALL BE DONE BY MEANS OF A STRING LINE OR OFFSET MEASUREMENT FROM BASE LINE.
 - 7.3. PLACE DRAINAGE AGGREGATE A MINIMUM OF 12" DIRECTLY BEHIND AND BETWEEN THE UNITS AND LEVEL WITH THE TOP OF THE UNIT. PLACE REINFORCED BACKFILL DIRECTLY AGAINST DRAINAGE FILL. COMPACT DRAINAGE AGGREGATE WITH 2 PASSES OF A VIBRATORY COMPACTOR. COMPACTION TESTING OF DRAINAGE AGGREGATE IS NOT REQUIRED. EXCESS MATERIAL SHALL BE REMOVED FROM TOP OF UNITS PRIOR TO INSTALLATION OF NEXT COURSE.
 - 7.4. LAY UP EACH COURSE INSURING POSITIVE CONTACT BETWEEN PREVIOUS COURSE IS ACHIEVED.
8. GEOGRID INSTALLATION:
 - 8.1. GEOGRID SHALL BE LAID AT THE PROPER ELEVATION AND ORIENTATION AS SHOWN ON THE DRAWINGS.
 - 8.2. THE GEOGRID REINFORCEMENT SHALL BE LAID HORIZONTALLY ON LEVEL, COMPACTED BACKFILL, AND EMBEDDED IN THE BLOCK.
 - 8.3. PLACE GEOGRID ON CONCRETE WALL UNITS, PLACE THE NEXT COURSE OF UNITS, PLACE THE DRAINAGE FILL, FULL GEOGRID TIGHT PRIOR TO BACKFILLING.
 - 8.4. GEOGRID SHALL BE LAID AT THE PROPER ELEVATION AND ORIENTATION AS SHOWN ON THE DRAWINGS.
 - 8.5. CORRECT ORIENTATION OF THE GEOGRID SHALL BE VERIFIED.
 - 8.6. 3" OF REINFORCED BACKFILL SHALL BE PLACED BETWEEN ALL LOCATIONS OF OVERLAPPING GEOGRID.
9. BACKFILL PLACEMENT:
 - 9.1. REINFORCED BACKFILL MATERIAL SHALL BE PLACED IN 6" MAXIMUM LIFTS AND COMPACTED TO A MINIMUM 95% OF STANDARD PROCTOR DENSITY (ASTM D 698).
 - 9.2. DRAINAGE ROCK SHALL BE COMPACTED WITH A MINIMUM OF 2 PASSES OF A VIBRATORY COMPACTOR. FIELD DENSITY TESTING TESTING WILL NOT BE REQUIRED FOR DRAINAGE ROCK.
 - 9.3. ONLY LIGHTWEIGHT HAND-OPERATED COMPACTON EQUIPMENT SHALL BE USED OVER THE REINFORCED ZONE UNLESS NOTED OTHERWISE.
 - 9.4. REINFORCED BACKFILL SHALL BE PLACED, SPREAD, AND COMPACTED IN SUCH A MANNER THAT ELIMINATES THE DEVELOPMENT OF WRINKLES AND/OR MOVEMENT OF THE GEOGRID.
 - 9.5. REINFORCED BACKFILL SHALL BE PLACED AND COMPACTED FROM THE BACK OF THE WALL REARWARD INTO THE EMBANKMENT TO INSURE THAT THE GEOGRID REMAINS TIGHT.
 - 9.6. TRACKED CONSTRUCTION EQUIPMENT SHALL NOT BE OPERATED DIRECTLY ON THE GEOGRID. A MINIMUM BACKFILL THICKNESS OF 6" SHALL BE MAINTAINED TO OPERATE TRACKED VEHICLES OVER THE GEOGRID. TURNING OF TRACKED CONSTRUCTION EQUIPMENT SHALL BE KEPT TO A MINIMUM TO PREVENT TRACKS FROM DISPLACING THE FILL AND DAMAGING THE GEOGRID.
 - 9.7. AT THE END OF EACH DAY'S OPERATION, SLOPE THE LAST LEVEL OF COMPACTED BACKFILL AWAY FROM THE INTERIOR (CONCEALED) FACE OF THE WALL TO DIRECT SURFACE WATER RUNOFF FROM THE WALL FACE.
 - 9.7.1. IT IS THE RESPONSIBILITY OF THE GENERAL CONTRACTOR TO ENSURE THAT THE FINISHED SITERAINAGE IS DIRECTED AWAY FROM THE RETAINING WALL SYSTEM.
 - 9.7.2. IT IS THE RESPONSIBILITY OF THE GENERAL CONTRACTOR TO ENSURE THAT THE SURFACE WATER RUNOFF FROM ADJACENT CONSTRUCTION AREAS IS NOT ALLOWED TO ENTER THE RETAINING WALL AREA OF THE CONSTRUCTION SITE.
10. DRAIN PIPE INSTALLATION:
 - 10.1. DRAINAGE COLLECTION PIPES SHALL BE INSTALLED TO MAINTAIN GRAVITY FLOW OF WATER OUTSIDE OF THE REINFORCED SOIL ZONE. THE DRAINAGE COLLECTION PIPE SHOULD CONNECT INTO A STORM SEWER MANHOLE OR DAYLIGHT THROUGH THE FACE OF THE WALL.
 - 10.2. THE SECONDARY COLLECTION DRAIN PIPES SHALL BE SLOPED A MINIMUM OF TWO PERCENT TO PROVIDE GRAVITY FLOW INTO THE MAIN COLLECTION DRAIN PIPE. DRAINAGE LATERALS SHALL BE SPACED AT A MAXIMUM OF 50 FT OC.
11. CAP INSTALLATION:
 - 11.1. CAP UNITS SHALL BE ADHERED TO THE TOP UNITS USING MANUFACTURER SUPPLIED ADHESIVE BY PLACING TWO 1/4" BEADS OF ADHESIVE ON EACH UNIT ALONG THE ENTIRE LENGTH OF THE WALL. PRESS THE CAP UNITS FIRMLY INTO THE ADHESIVE AND ALLOW TO CURE.
12. FIELD QUALITY CONTROL:
 - 12.1. THE OWNER OR OWNER'S REPRESENTATIVE IS RESPONSIBLE FOR ENGAGING THE SERVICES OF AN INDEPENDENT THIRD PARTY INSPECTOR TO OBSERVE AND VERIFY ALL SOIL PROPERTIES AS WELL AS VERIFY CORRECT INSTALLATION OF ALL SYSTEM COMPONENTS TO MEET THE REQUIREMENTS OF THESE GENERAL NOTES AND DRAWINGS.
 - 12.2. TESTING METHODS, FREQUENCY AND VERIFICATION OF MATERIAL SPECIFICATIONS SHALL BE THE RESPONSIBILITY OF THE INDEPENDENT THIRD PARTY INSPECTOR.

13. ABBREVIATIONS:
 TF TOP OF FOOTING ELEVATION
 TW TOP OF WALL ELEVATION
 STA STATION

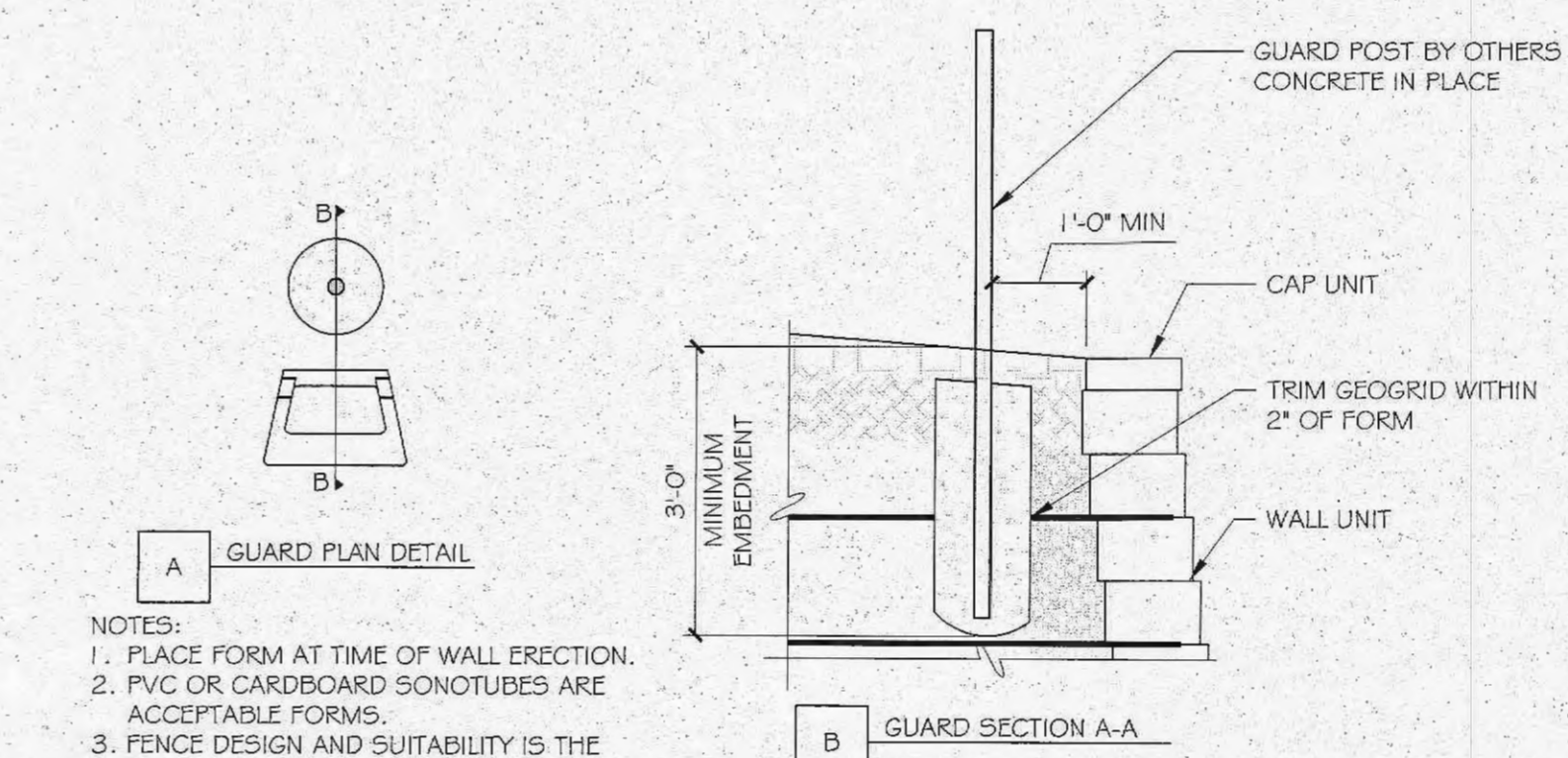
ROSCH ENGINEERING HAS PERFORMED DESIGN CALCULATIONS BASED ON THE DESIGN CRITERIA, ASSUMED SOIL PARAMETERS, AND KNOWN LOADING CONDITIONS AS LISTED IN THESE DRAWINGS. THE OWNER'S REPRESENTATIVE, INDEPENDENT THIRD PARTY SPECIAL INSPECTOR AND INSTALLER SHALL NOTIFY ROSCH ENGINEERING OF ANY CHANGES OR DIFFERENCES IN ACTUAL SITE CONDITIONS WHICH VARY FROM THOSE LISTED, PRIOR TO CONSTRUCTING THE WALL.



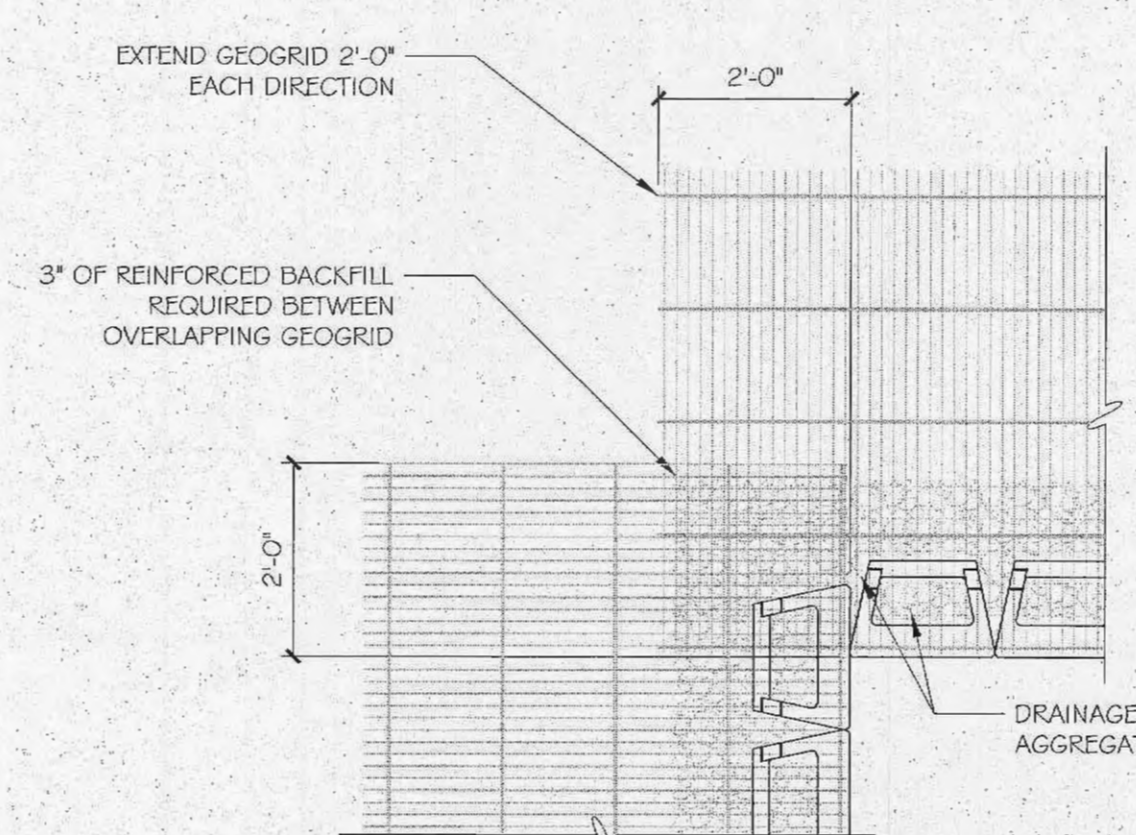
1 TYPICAL SECTION - COMPACTED ROCK
 6 NTS



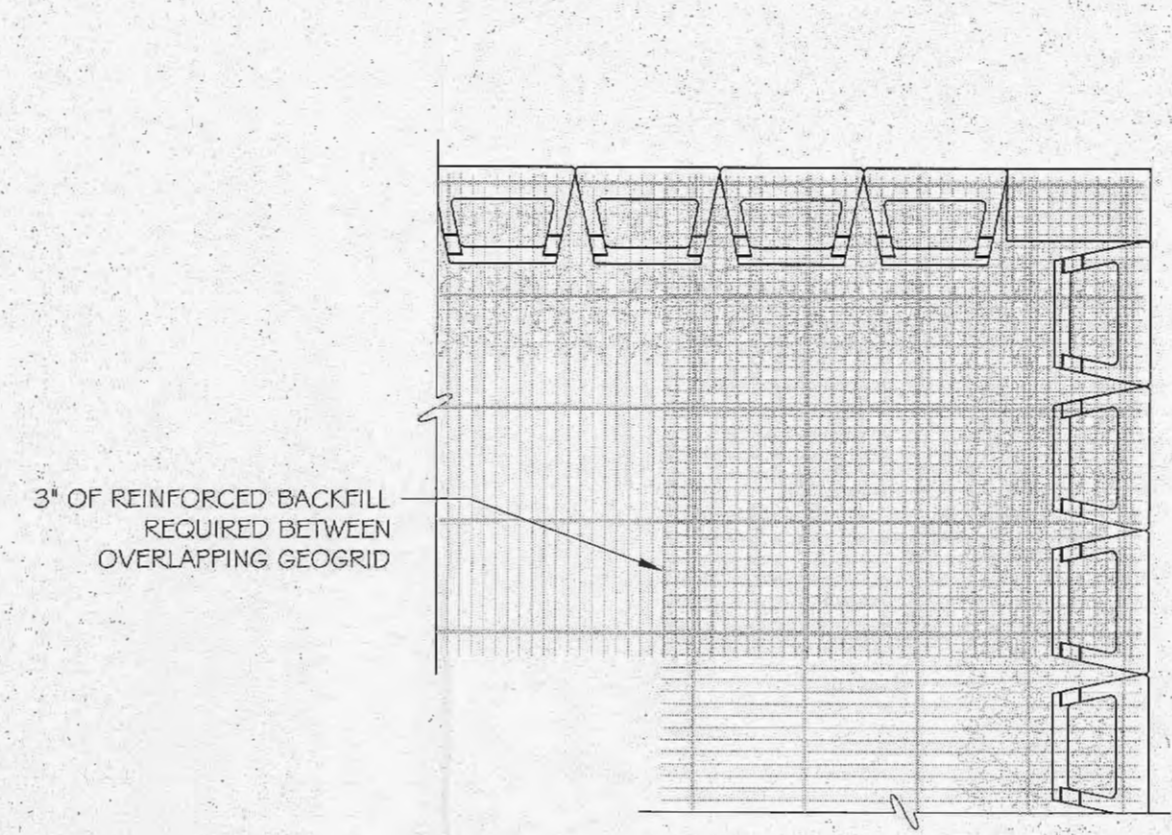
2 TYPICAL POST AT UNREINFORCED WALL
 6 NTS



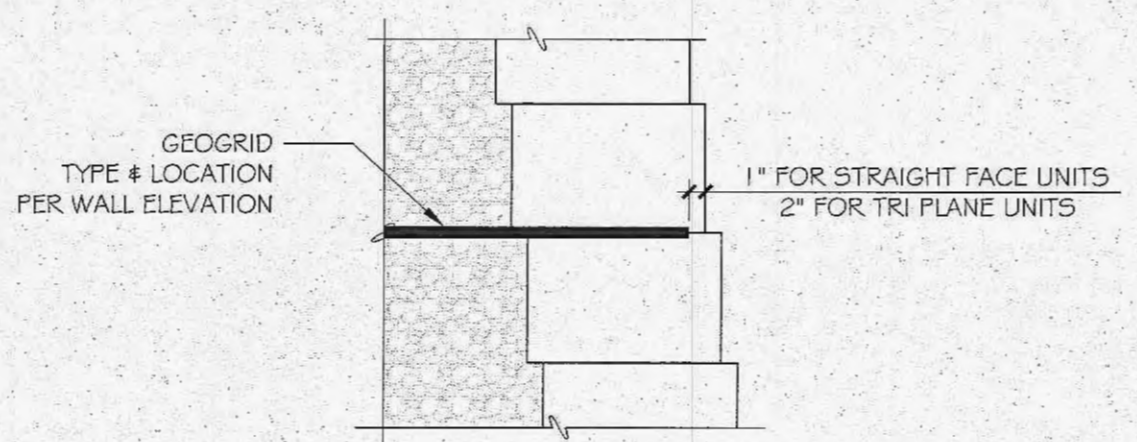
3 TYPICAL POST AT REINFORCED WALL
 6 NTS



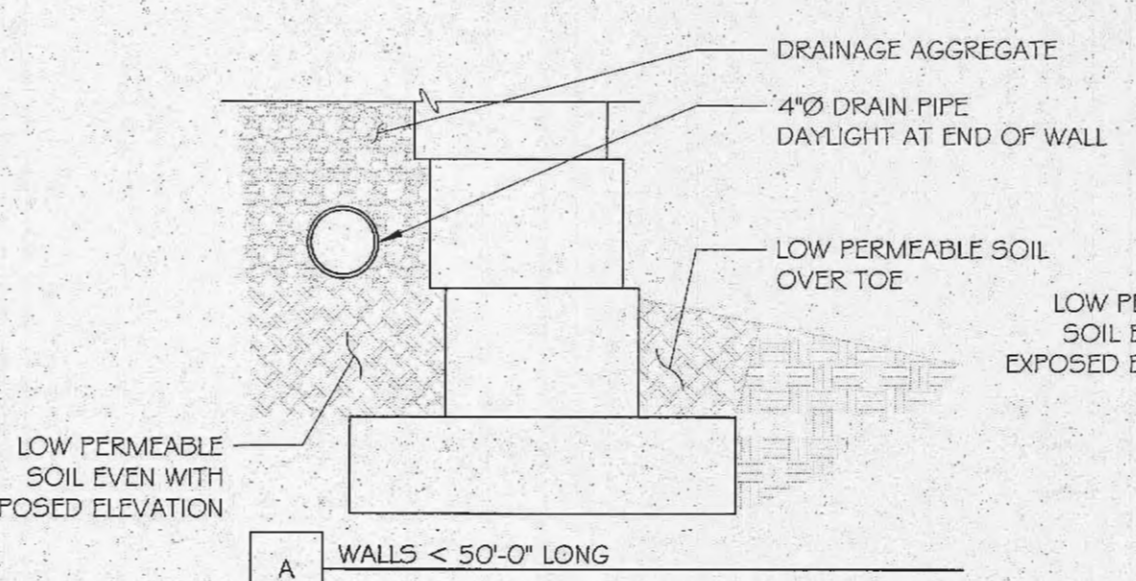
4 TYPICAL INSIDE CORNER DETAIL
 6 NTS



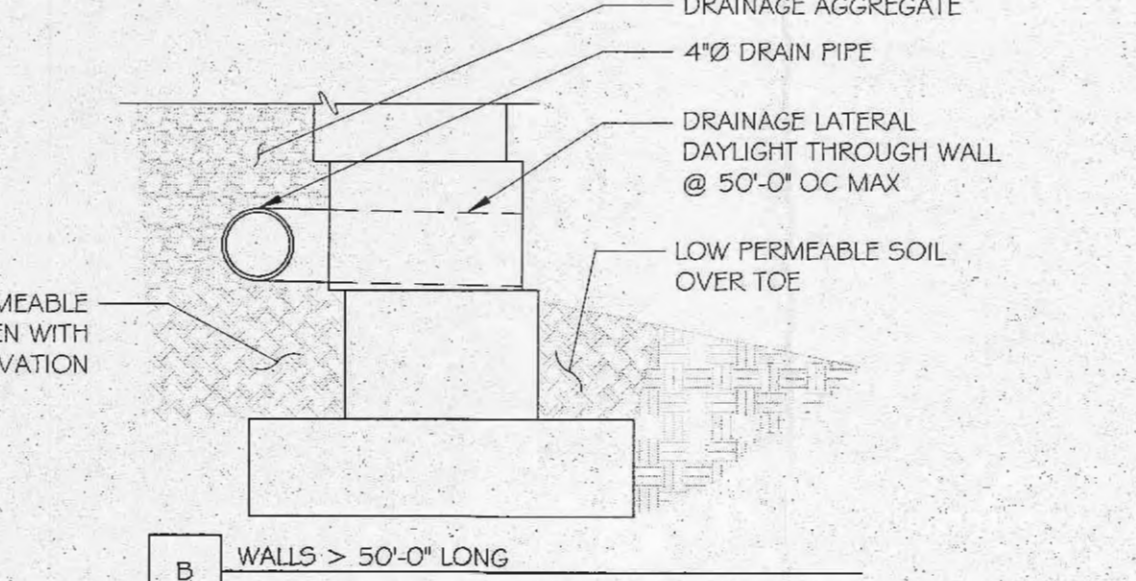
5 TYPICAL OUTSIDE CORNER DETAIL
 6 NTS



6 GEOGRID PLACEMENT
 6 NOT TO SCALE



7 DRAIN PIPE INSTALLATION
 6 NOT TO SCALE



8 DRAIN PIPE INSTALLATION
 6 NOT TO SCALE

REV	DATE	DESCRIPTION

ROSCH ENGINEERING
 406 E. WABASH
 O'FALLON, MO 63366
 PHONE: 636-978-7770
 FAX: 636-978-6796

MO CERTIFICATE OF AUTHORITY #E-2012039663

BRAMBLETT APARTMENTS
 O'FALLON, MO
 RETAINING WALL
 NOTES & DETAILS

DESIGNED:	BCS
DRAWN:	BCS
REVIEWED:	BCS
DATE:	5-1-15
JOB NO.:	15-058
SHEET:	6 OF 6

5-1-15