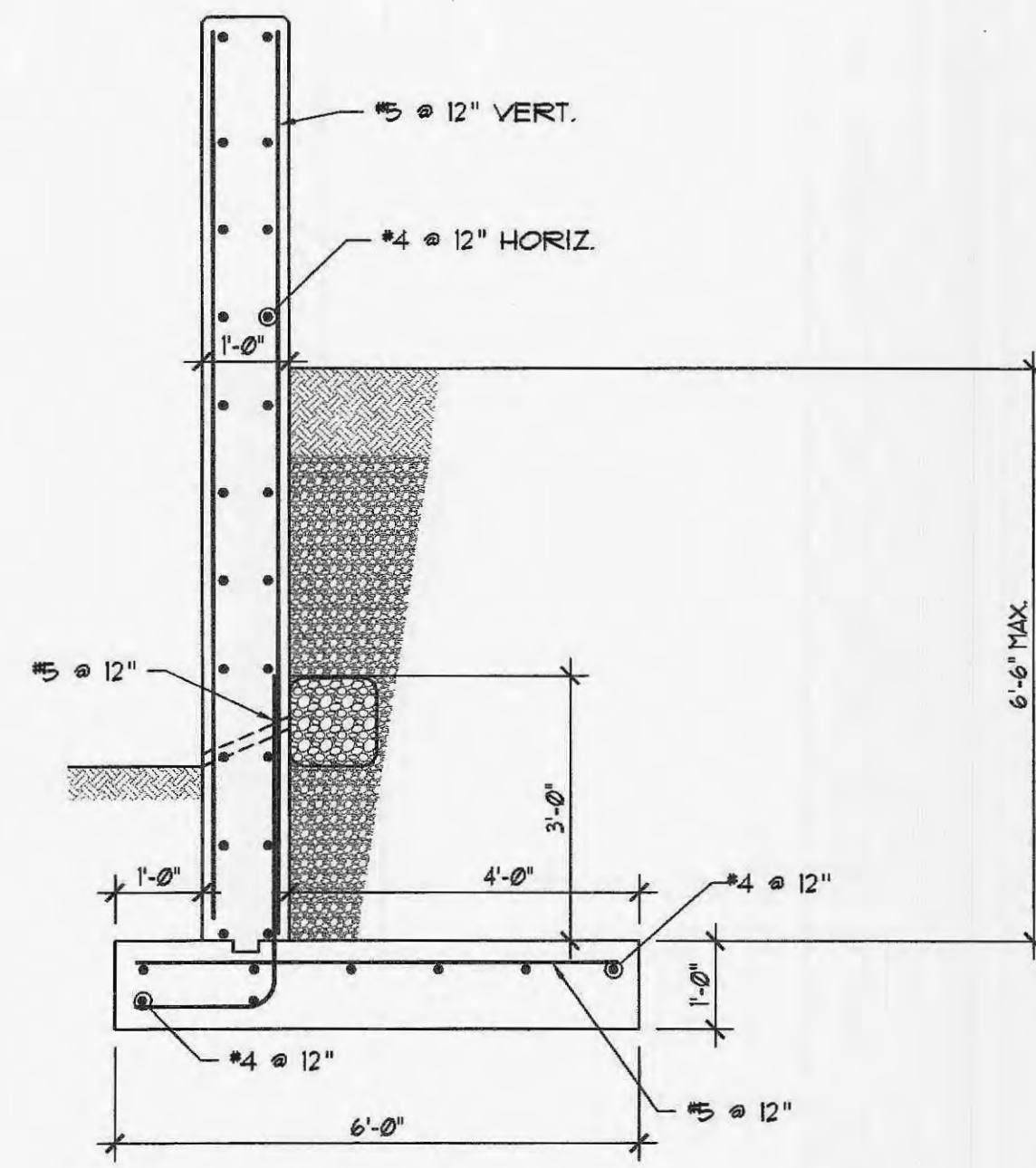
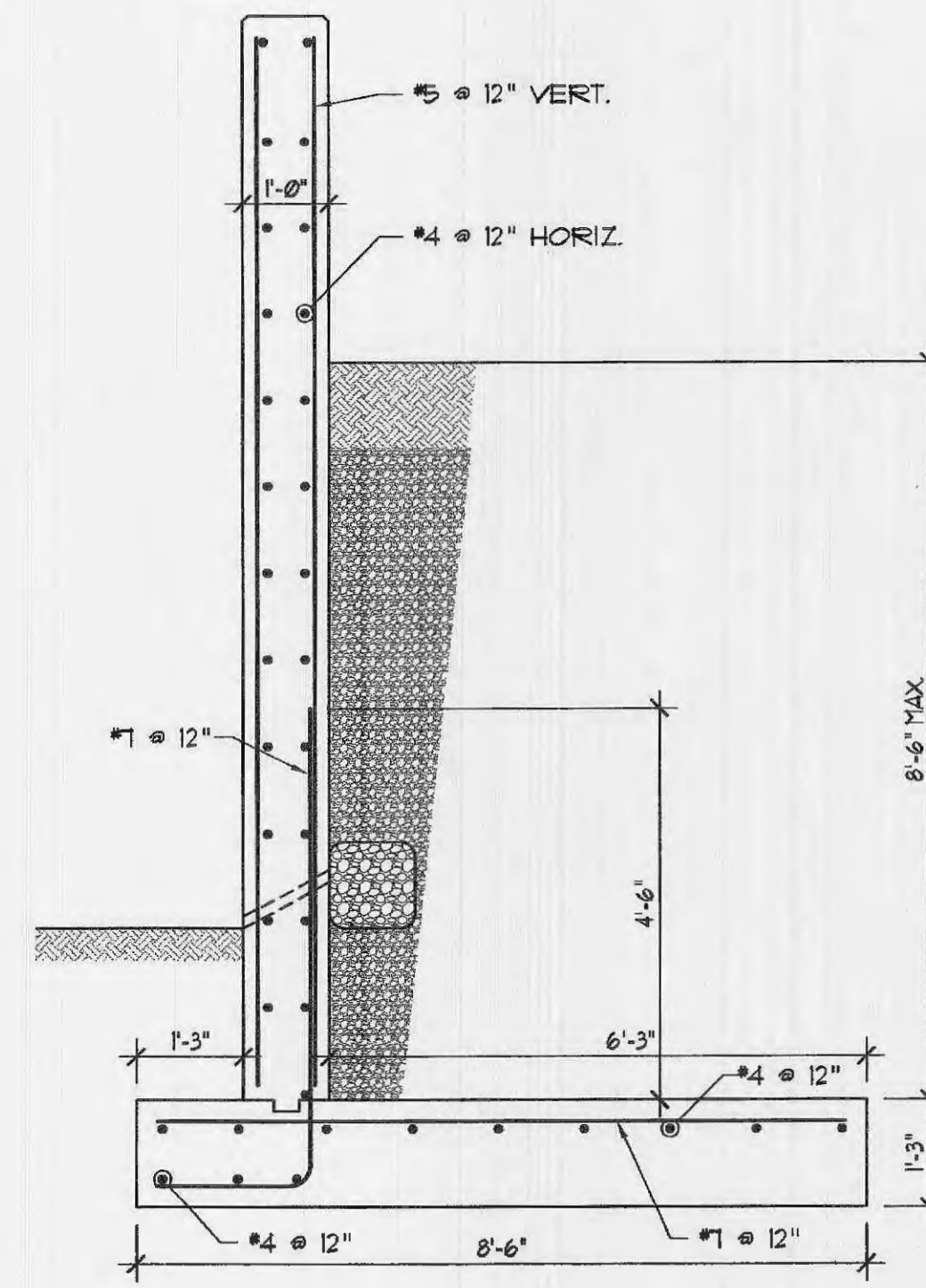


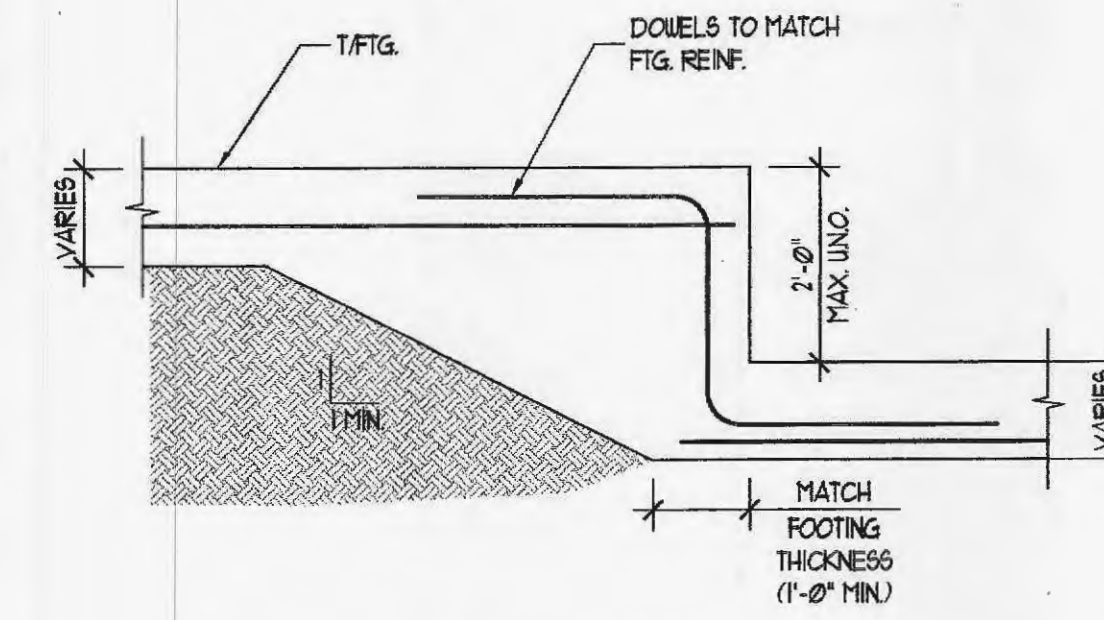
A RETAINING WALL SECTION
SCALE: 1/2"=1'-0"



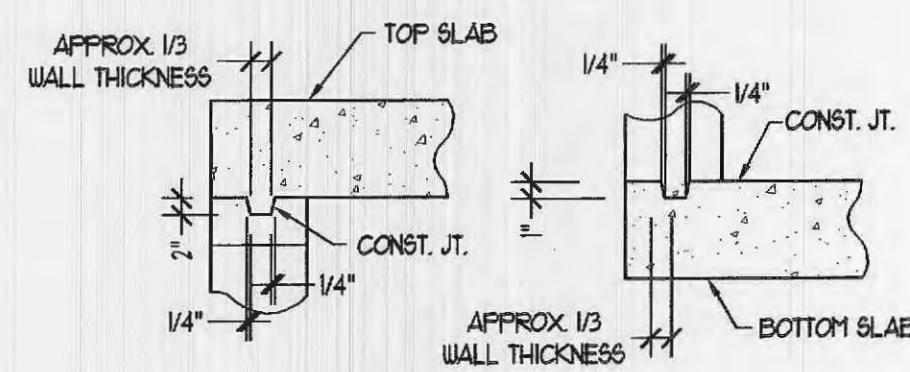
B RETAINING WALL SECTION
SCALE: 1/2"=1'-0"



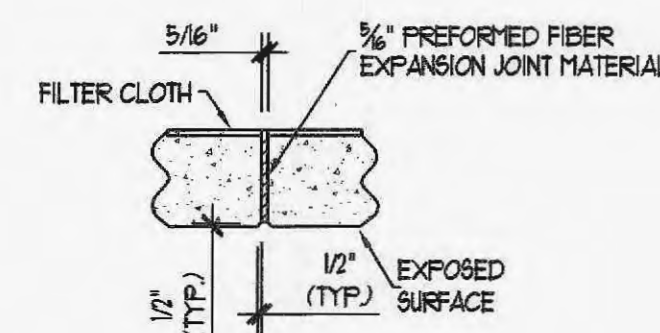
C RETAINING WALL SECTION
SCALE: 1/2"=1'-0"



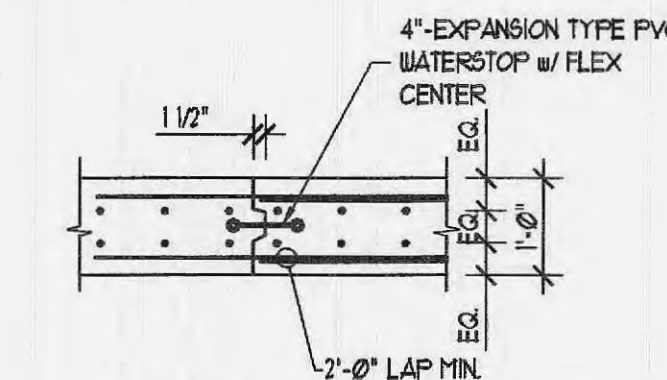
D TYPICAL FOOTING STEP DETAIL
SCALE: 1/2"=1'-0"



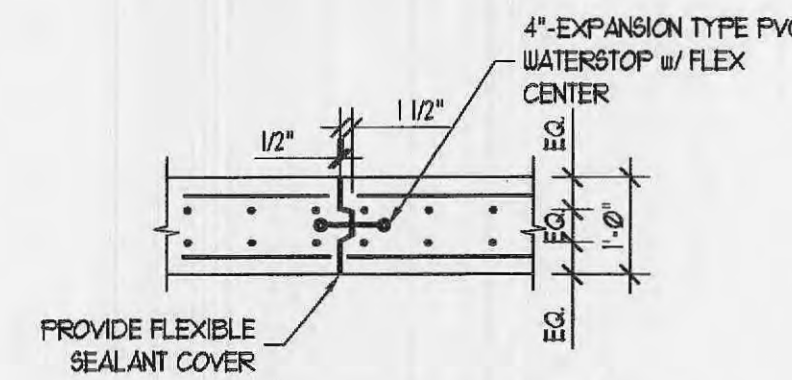
E DETAIL OF KEYED CONST. JT.
SCALE: 1/2"=1'-0"



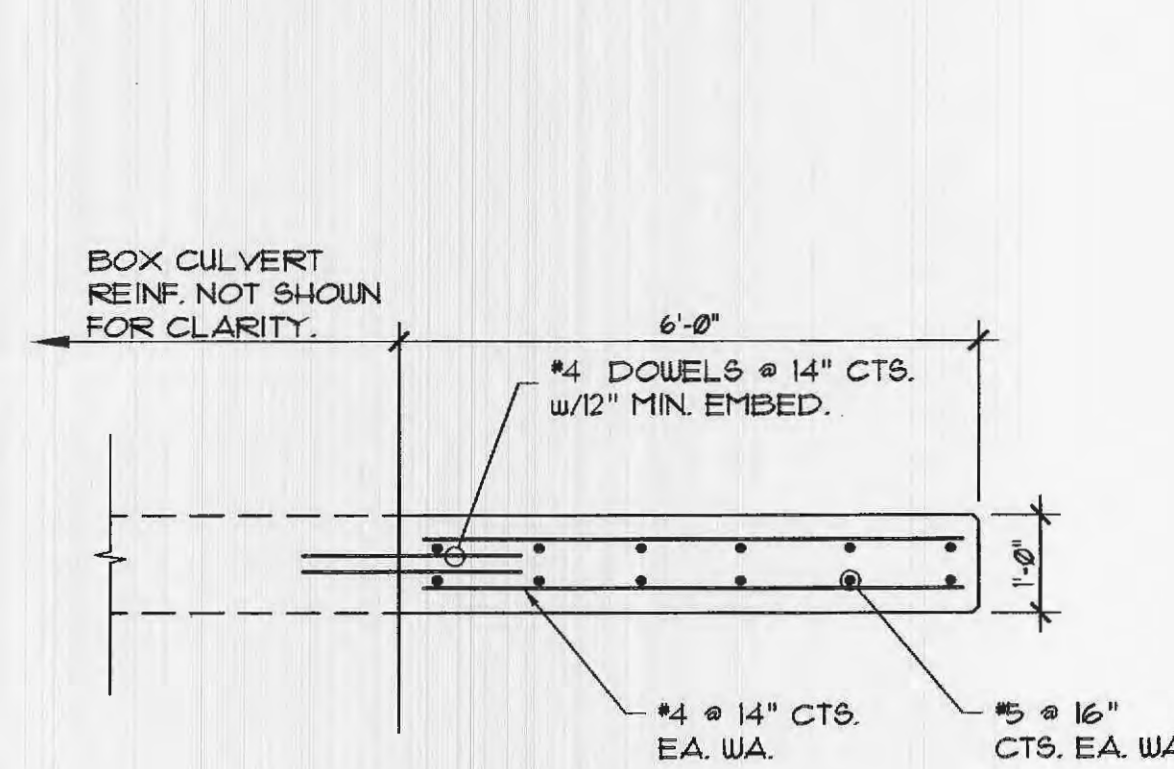
F DETAIL OF TRANSVERSE JOINT THRU
BARREL OF CULVERT
SCALE: 1/2"=1'-0"



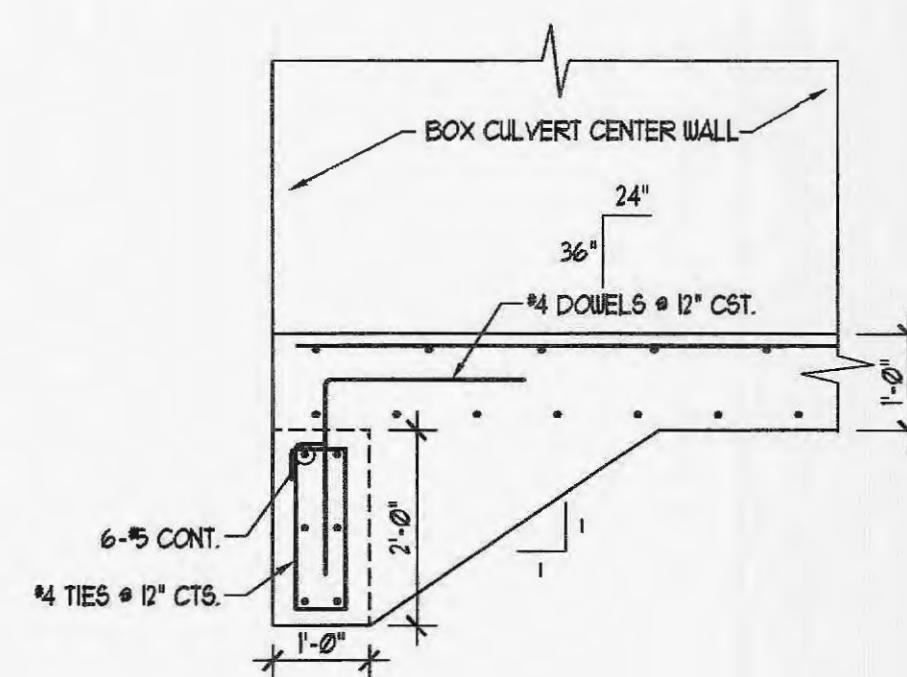
G WALL CONSTRUCTION JOINT
SCALE: 1/2"=1'-0"



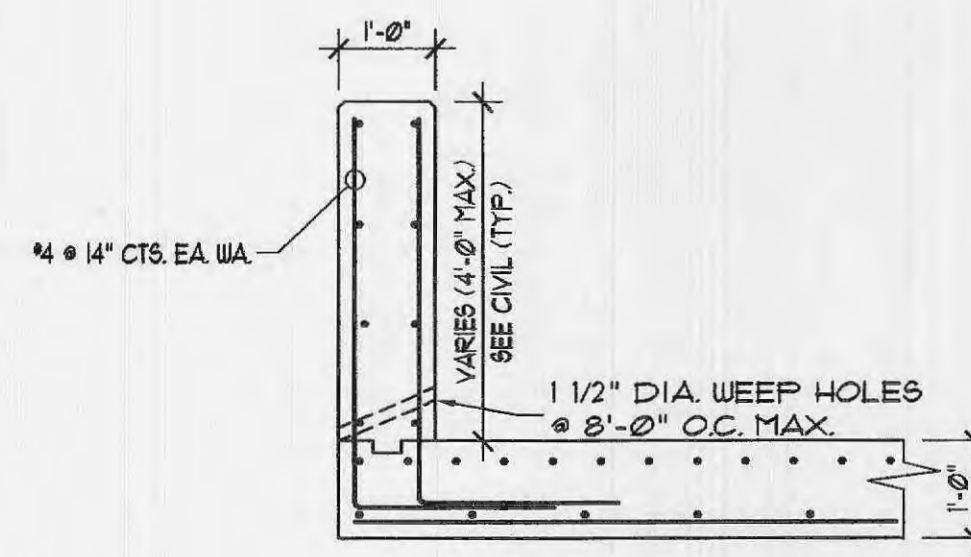
H WALL EXPANSION JOINT
SCALE: 1/2"=1'-0"



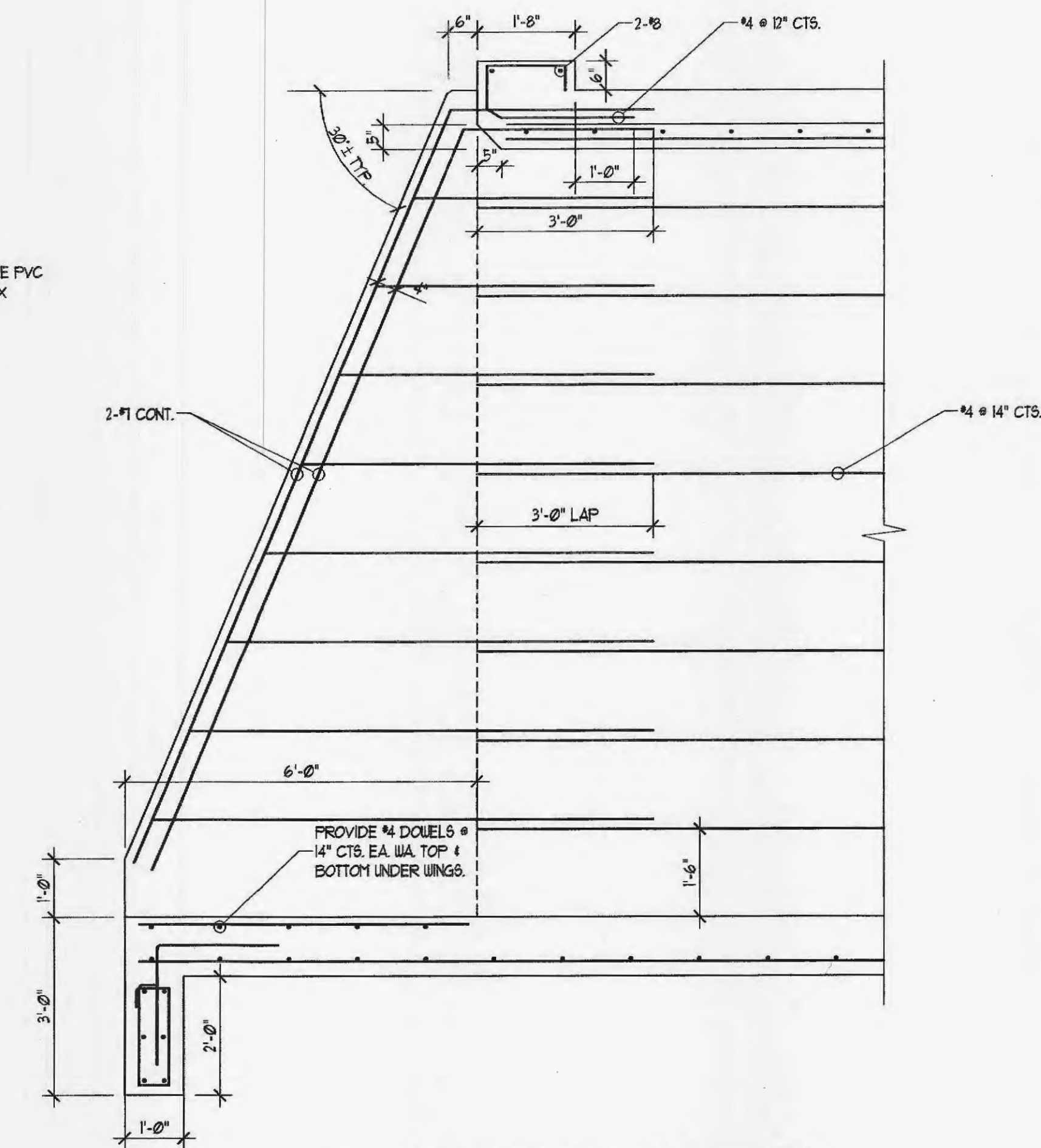
I UPSTREAM WALL DETAIL
SCALE: 1/2"=1'-0"



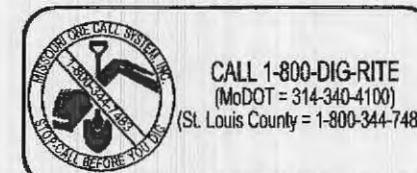
J DOWNSTREAM / UPSTREAM TOE WALL DETAIL
SCALE: 1/2"=1'-0"



K DOWNSTREAM HEAD WALL DETAIL
SCALE: 1/2"=1'-0"



L SECTION NEAR UPSTREAM WING
SCALE: 1/2"=1'-0"

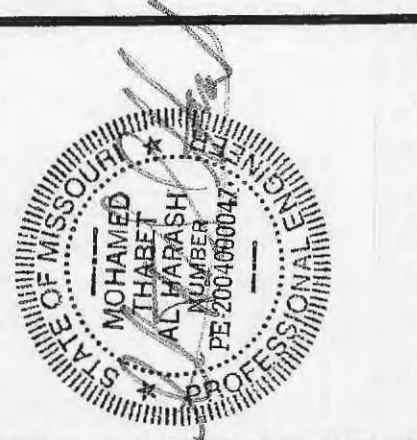


NOTES:
CONTRACTOR TO COMPLY WITH ALL COVERING REGULATIONS AND REQUIREMENTS INCLUDING OSHA REGULATIONS 29 CFR PART 1926 FOR CONSTRUCTION INDUSTRY.

NOTES:
THE STRUCTURAL ENGINEER OF RECORD IS NOT RESPONSIBLE FOR MEANS AND METHODS OF CONSTRUCTION INCLUDING FABRICATION, TECHNIQUES, AND SAFETY AT THE CONSTRUCTION SITE. THE CONTRACTOR IS RESPONSIBLE FOR DESIGN AND INSTALLATION OF ALL TEMPORARY SHORING, BRACING, BOLTING, WELDING, LUGS, SEAT ANGLES, ETC., TO SAFELY CONSTRUCT THE PROJECT. THE CONTRACTOR IS TO COORDINATE BETWEEN DISCIPLINES AND BRING ANY DISCREPANCY TO THE ATTENTION OF THE ENGINEER PRIOR TO CONSTRUCTION.

NOTES:
THE STRUCTURAL DRAWINGS ARE NOT A SET OF STAND ALONE CONSTRUCTION DOCUMENTS. THESE STRUCTURAL DRAWINGS MUST ONLY BE USED IN CONJUNCTION WITH OTHER RELATED DISCIPLINES. CONTRACTOR TO VERIFY EXISTING CONDITIONS AND COORDINATE BETWEEN DISCIPLINES. ANY DISCREPANCY BETWEEN THE DRAWINGS MUST BE BROUGHT TO THE ENGINEER'S ATTENTION FOR RESOLUTION PRIOR TO FABRICATION OR CONSTRUCTING THAT PORTION OF THE STRUCTURE.

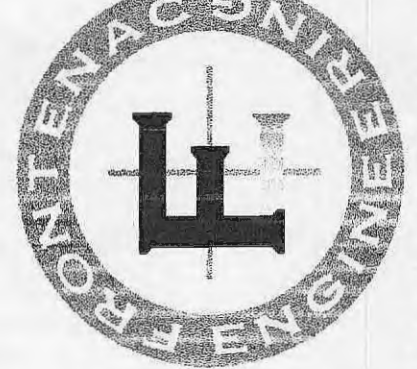
FEMA BENCHMARK:
BM50 - ELEVATION (NGVD) 480.00 2-INCH SQUARE IN CENTER OF NORTH END OF WALKWAY AT THE NORTHEAST CORNER OF BELLEAU CREEK ROAD BRIDGE OVER BELLEAU CREEK
SITE BENCHMARK:
ELEV - 488.07 TOP OF EXISTING MANHOLE ON EASTERN PROPERTY LINE



THE PROFESSIONAL SEAL AND SIGNATURE APPLY ONLY TO THIS DRAWING. THE PROFESSIONAL ENGINEER EXPRESSLY DISCLAIMS ANY LIABILITY FOR THE DESIGN OR CONSTRUCTION OF THE PROJECT TO BE USED FOR ANY PART OR PARTS OF THE PROJECT TO BE CONSTRUCTED. FRONTENAC ENGINEERING GROUP, INC.

NO.	DATE	REVISIONS

FRONTENAC ENGINEERING GROUP
CIVIL / STRUCTURAL / LAND SURVEYING
2725 SUTTON BLVD.
ST. LOUIS, MISSOURI 63143
PHONE: (314) 644-2200 FAX: (314) 644-0645
www.frontenacengineering.com



DATE: 1/4/2008
CHECKED: S.R.M.
DRAWN: A.P. & N.J.M.
SCALE: 1" = 20'

PRELIMINARY
SITE IMPROVEMENT PLAN
BOX CULVERT ON BRAMBLETT ROAD
BRAMBLETT DEVELOPMENT LLC
913 LAFAYETTE LANDING PLACE
St. CHARLES, MO 63303 PHONE: 314-452-5000

SHEET NO. **S1**
2 OF 3