

ROUND PIPE				HORIZONTAL ELLIPTICAL PIPE			
Inside Diameter of Pipe (Inches)	Payline Width of Trench (Inches)	Payline Width of Trench (Feet)	Pay-volume cu. ft. per ft. of Pipe	Inside Dimensions of Pipe (Inches)	Payline Width of Trench (Inches)	Payline Width of Trench (Feet)	Pay-volume cu. ft. per ft. of Pipe
4	28	2.33	3.20				
6	28	2.33	3.48				
8	28	2.33	3.70				
10	28	2.33	3.86				
12	28	2.33	3.98				
16	32	2.67	4.88				
18	35	2.92	5.63	14 x 23	41	3.42	5.84
21	39	3.25	6.81				
24	42	3.50	7.39	18 x 30	49	4.08	7.88
27	45	3.75	8.18	22 x 34	53	4.48	8.81
30	48	4.00	9.30	24 x 38	58	4.83	9.70
33	51	4.42	10.53	27 x 42	62	5.17	10.71
36	54	4.87	11.43	29 x 45	66	5.50	11.78
39		DISCONTINUED		32 x 49	71	5.82	13.14
42	63	5.25	13.38	34 x 53	75	6.23	14.08
48	70	5.83	15.67	38 x 60	83	6.80	16.18
54	77	6.42	18.10	43 x 68	92	7.47	18.81
60	84	7.00	20.73	48 x 76	101	8.20	21.89
66	91	7.58	23.45	53 x 85	109	8.98	24.58
72	98	8.17	26.37	58 x 93	116	9.83	27.48
78	106	8.75	29.38	63 x 102	126	10.80	30.80
84	112	9.33	32.37	68 x 110	135	11.82	33.81
90	118	9.92	35.20	72 x 115	143	11.98	36.80
96	126	10.50	38.37	77 x 121	152	12.87	40.80
102	133	11.08	42.39	82 x 128	160	13.53	44.48
108	140	11.67	46.70	87 x 136	168	14.00	47.70
114	147	12.25	50.88	92 x 143	176	14.87	51.70
120	154	12.83	54.72	97 x 151	185	15.42	56.01
126	161	13.42	58.92				
132	168	14.00	63.27	102 x 160	193	16.55	64.48
144	182	15.17	72.40	116 x 180	219	18.17	73.80

TABLE NO. 1  
PAYLINE WIDTHS OF TRENCH AND PAY-QUANTITIES OF CONCRETE

DETAIL 1

PIPE BEDDING CLASS 'C'  
(FOR ALL PIPE EXCEPT REINFORCED CONCRETE PIPE)

DETAIL 2

PIPE BEDDING CLASS 'D'  
(MODIFIED FOR REINFORCED CONCRETE PIPE)

DETAIL 3

CONCRETE ENGLISH

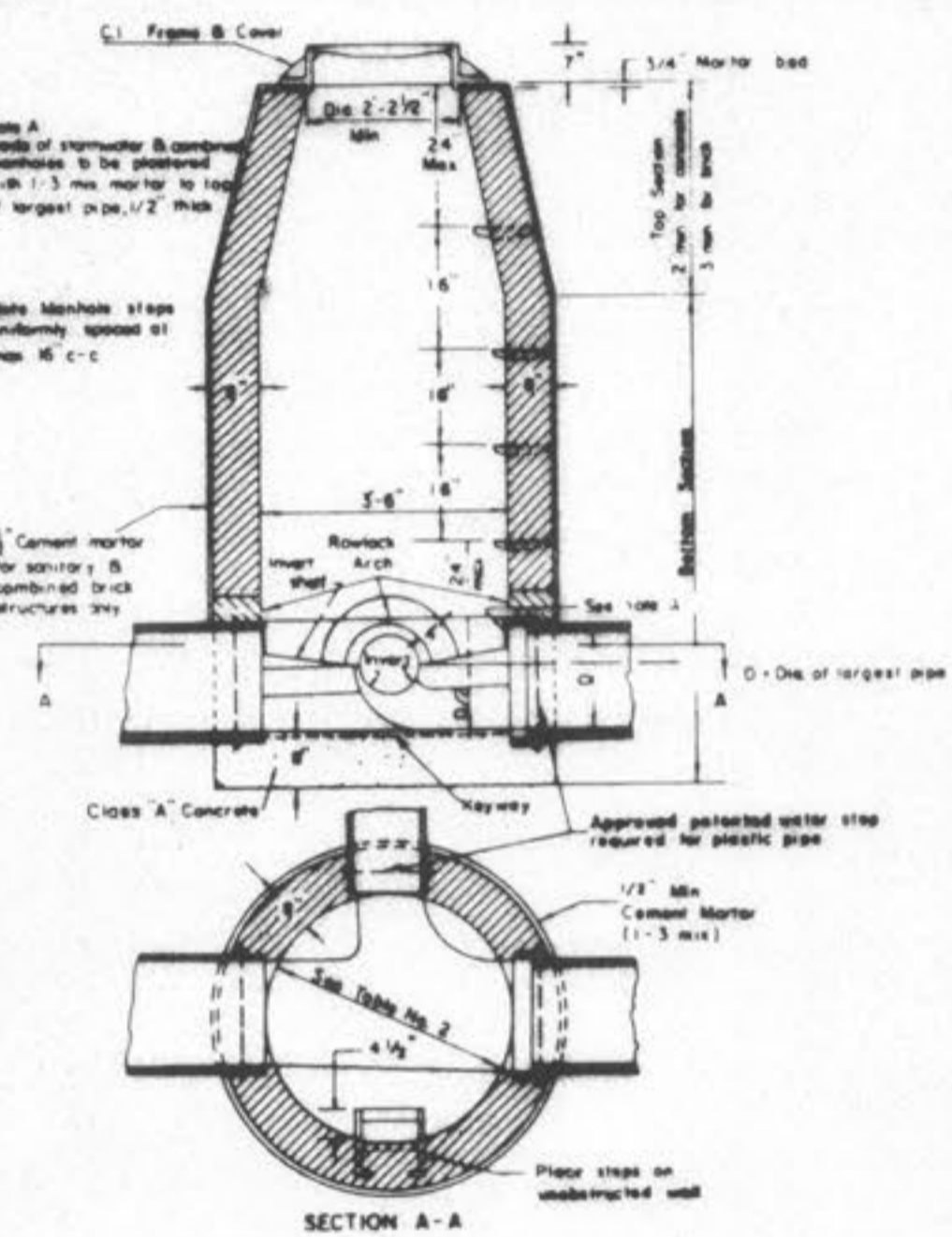
DETAIL 4

CONCRETE CRADLE

DETAIL 5

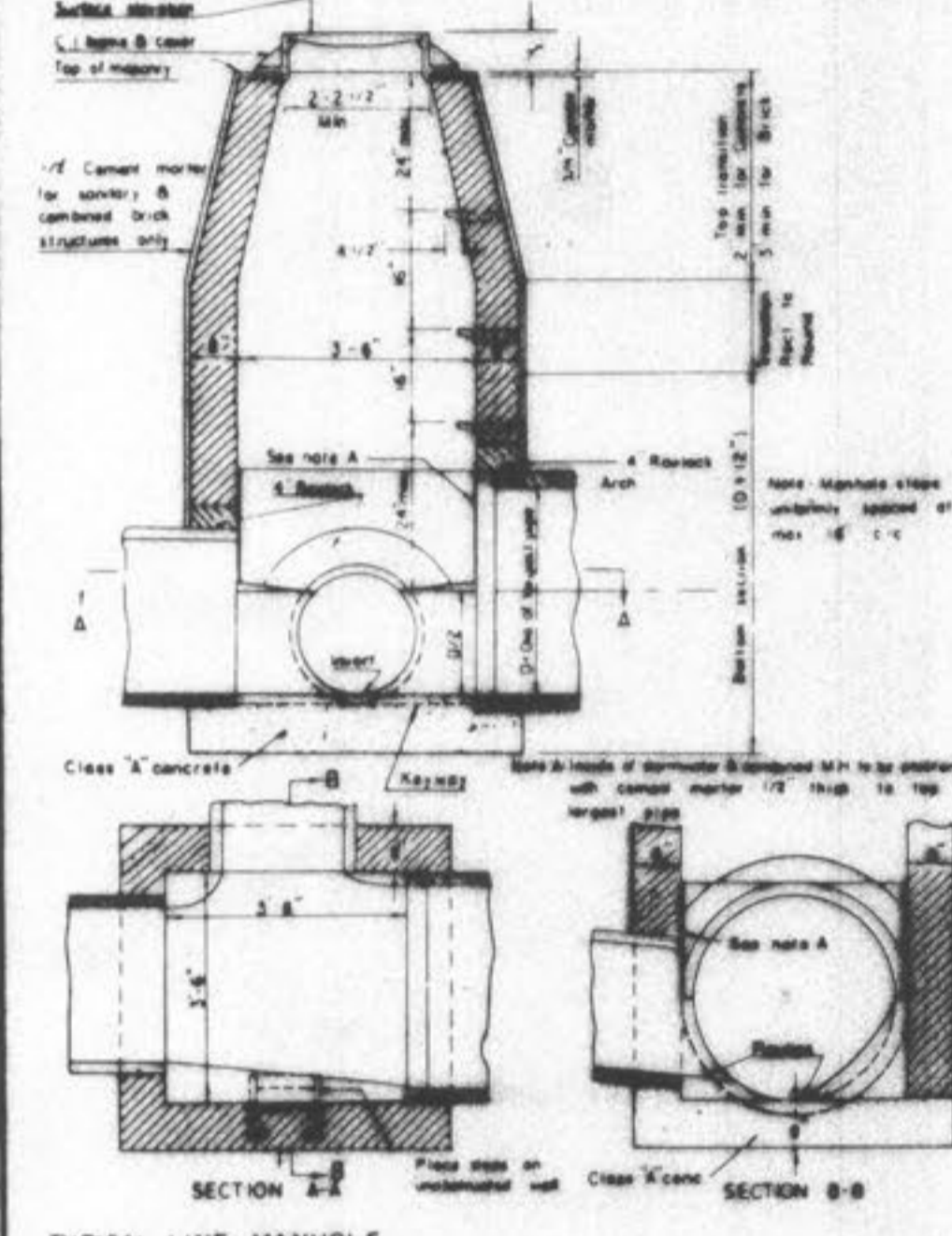
TABLE NO. 2  
STANDARD MANHOLE DIMENSIONS

DETAIL 6



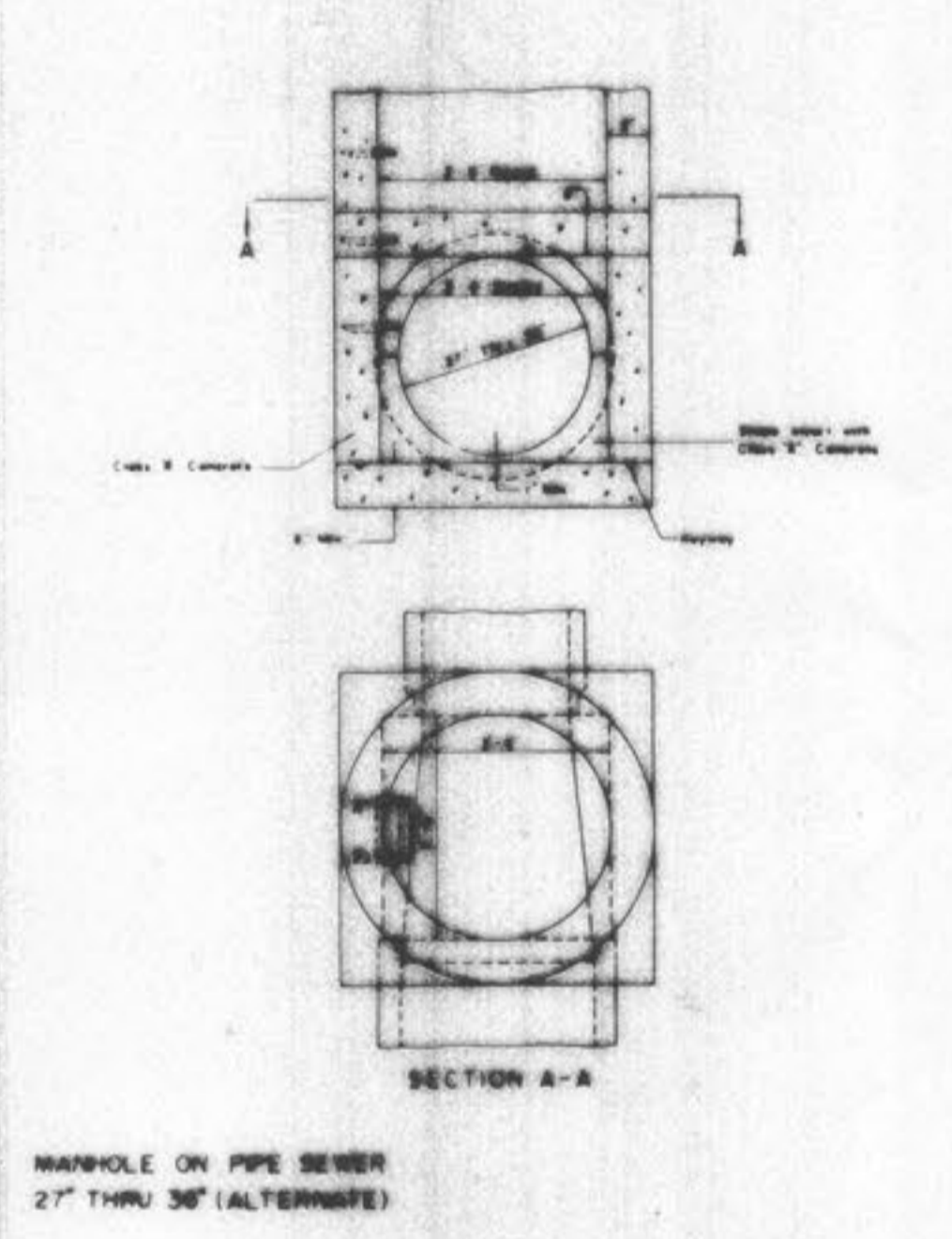
LINE MANHOLE  
PIPE SEWERS 8"-24" DIA.

DETAIL 7



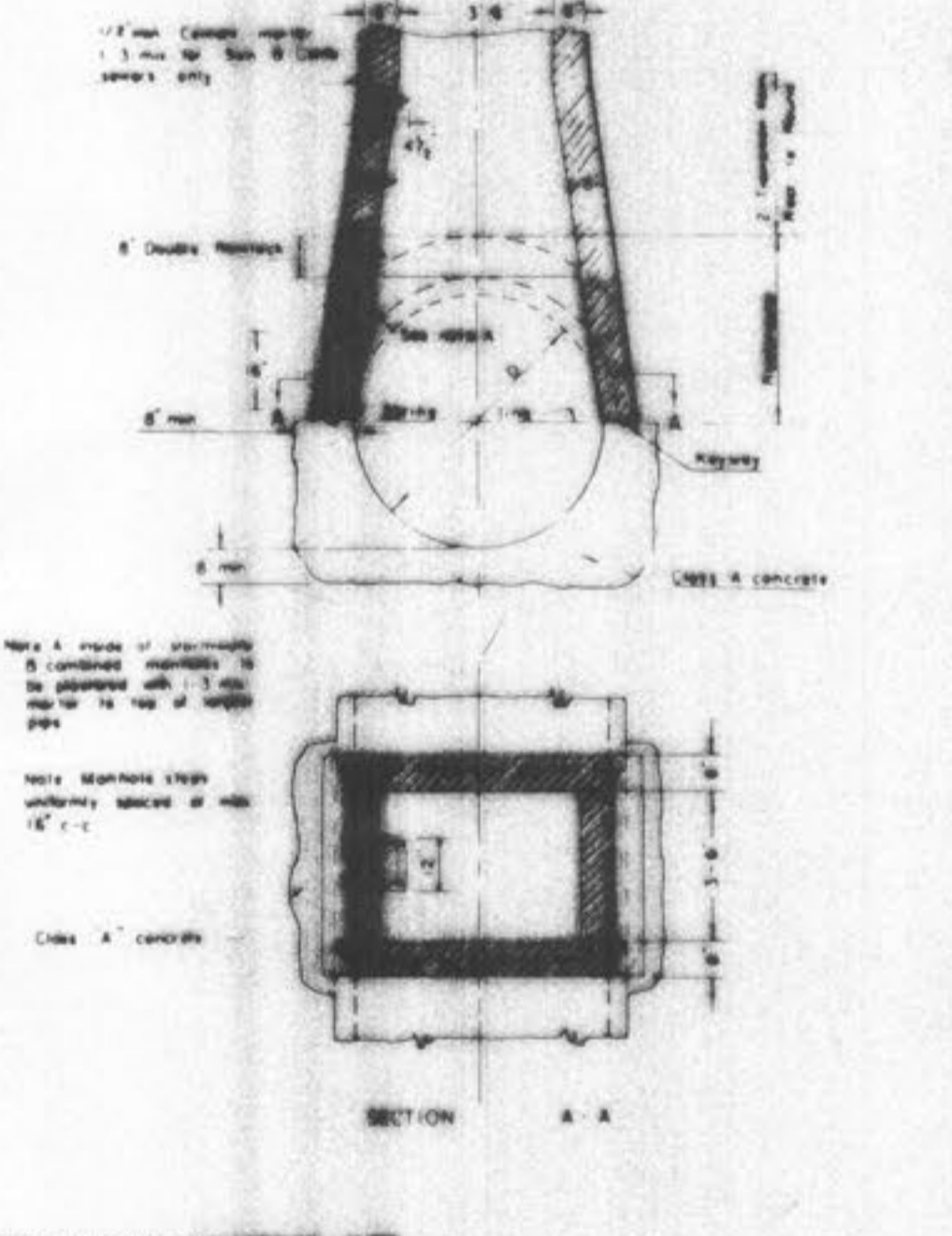
TYPICAL LINE MANHOLE  
ON PIPE SEWER 27" THRU  
36" IN DIAMETER.

DETAIL 8



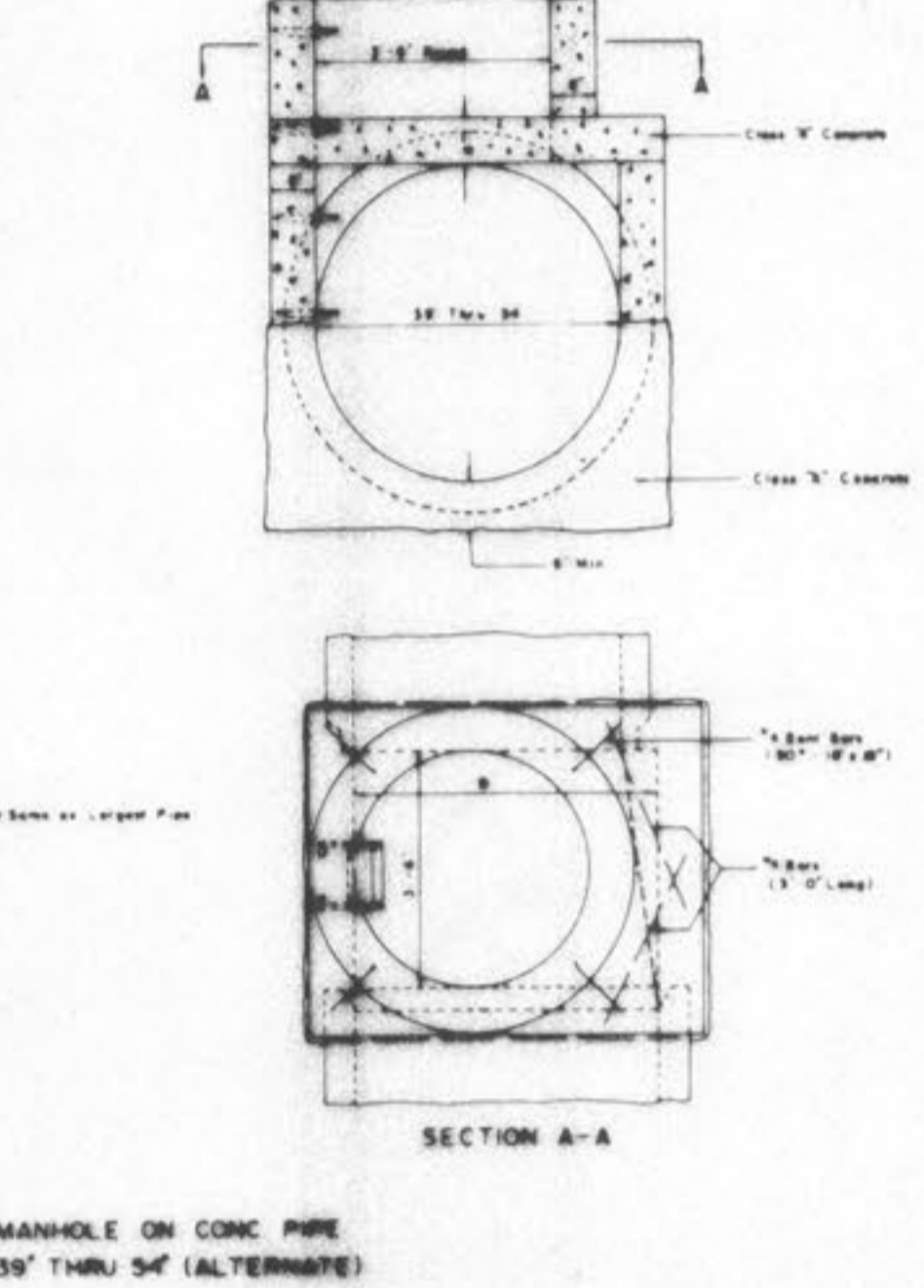
MANHOLE ON PIPE SEWER  
27" THRU 36" (ALTERNATE)

DETAIL 9



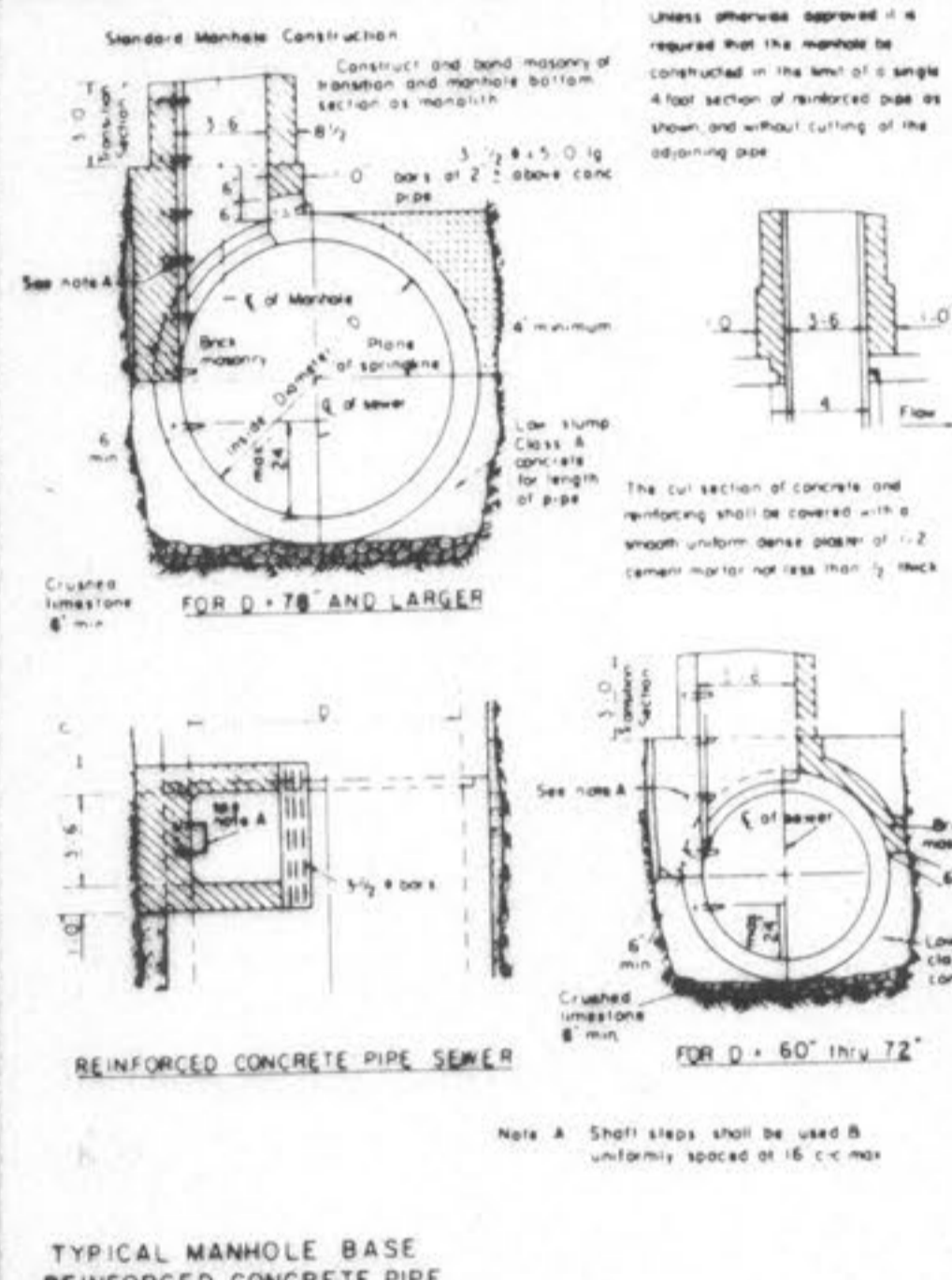
MANHOLE ON CONCRETE PIPE  
SEWERS 35" THRU 48" DIAMETER

DETAIL 10



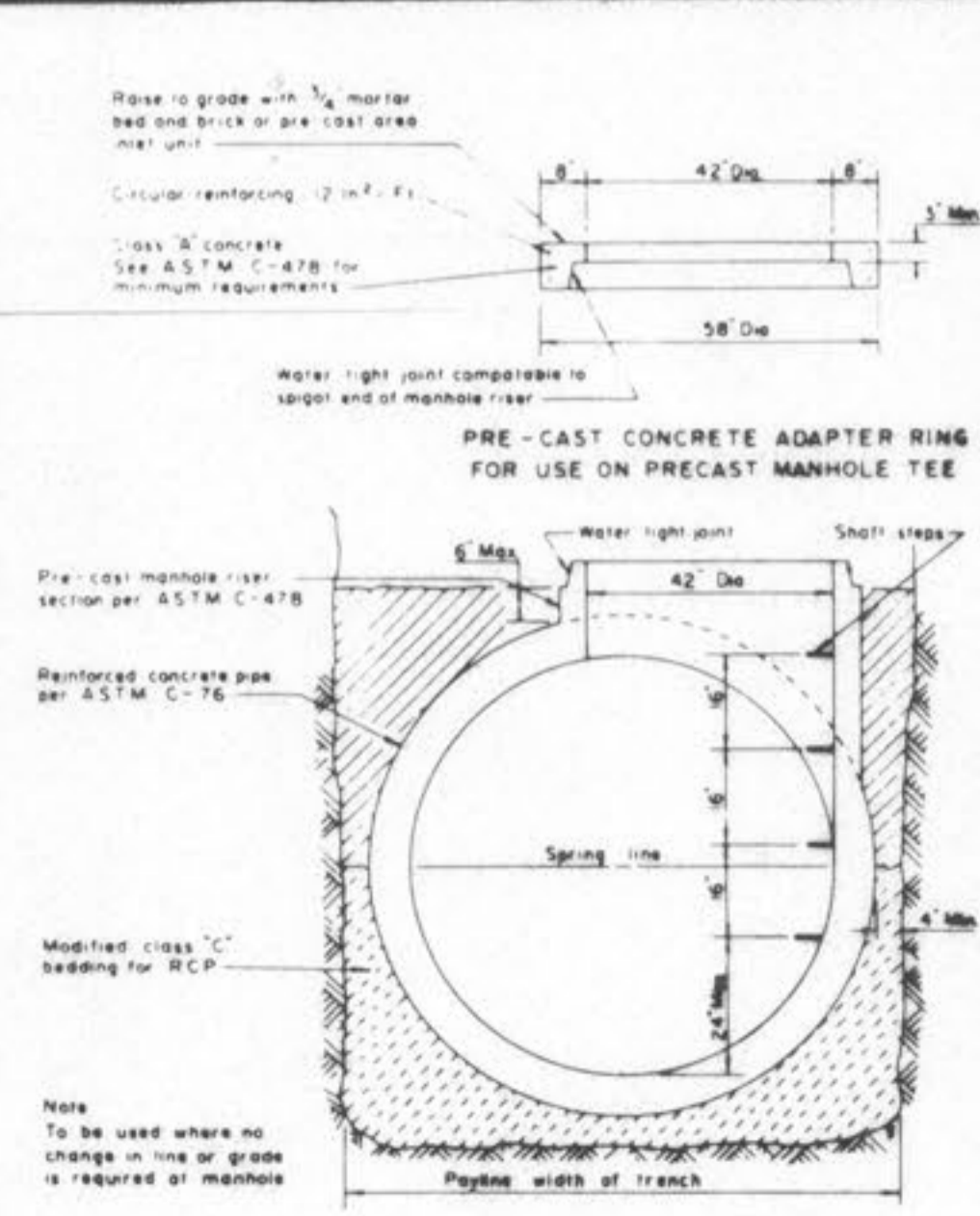
MANHOLE ON CONC PIPE  
39" THRU 54" (ALTERNATE)

DETAIL 11



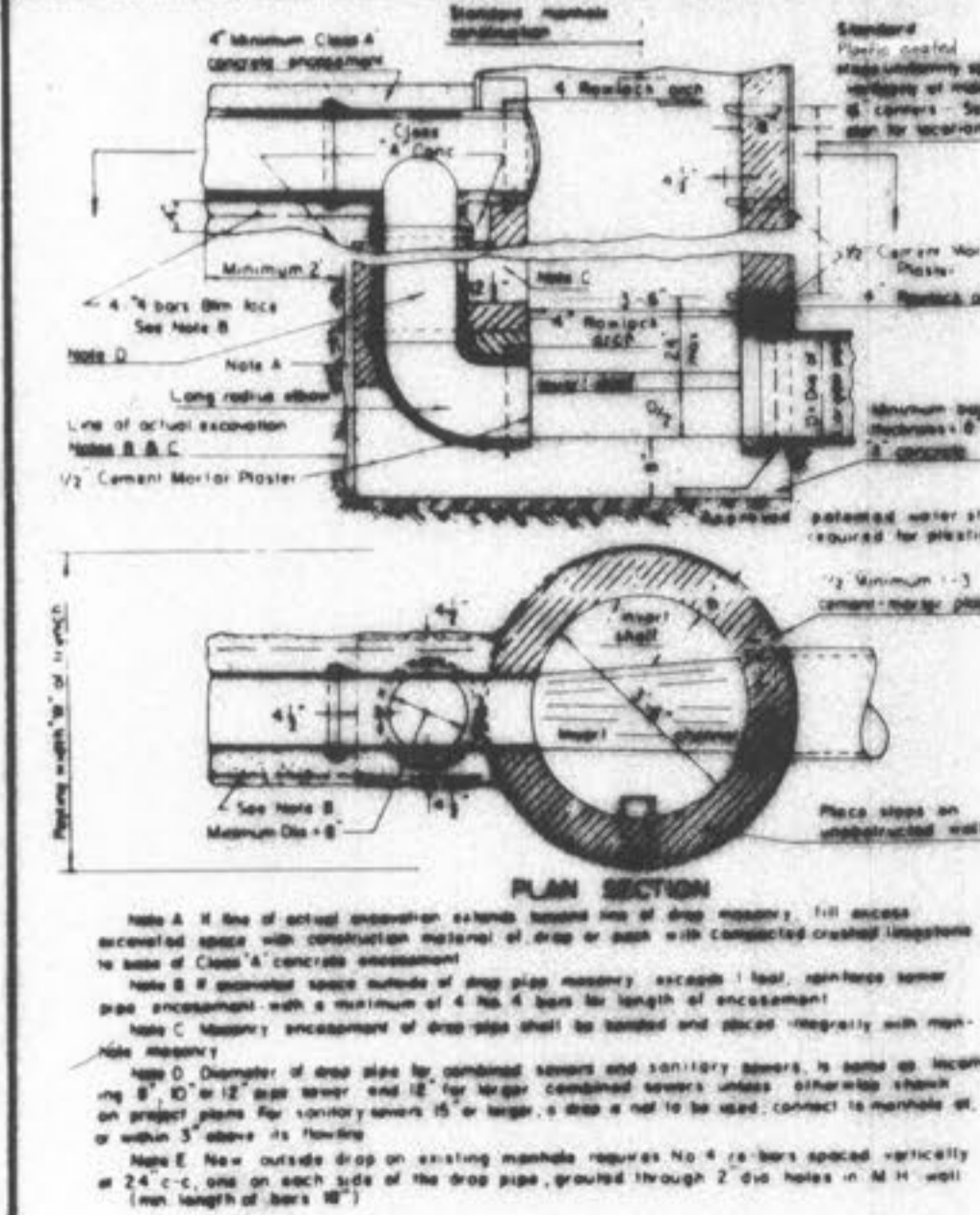
TYPICAL MANHOLE BASE  
REINFORCED CONCRETE PIPE  
SEWERS 60" AND LARGER  
IN DIAMETER

DETAIL 12



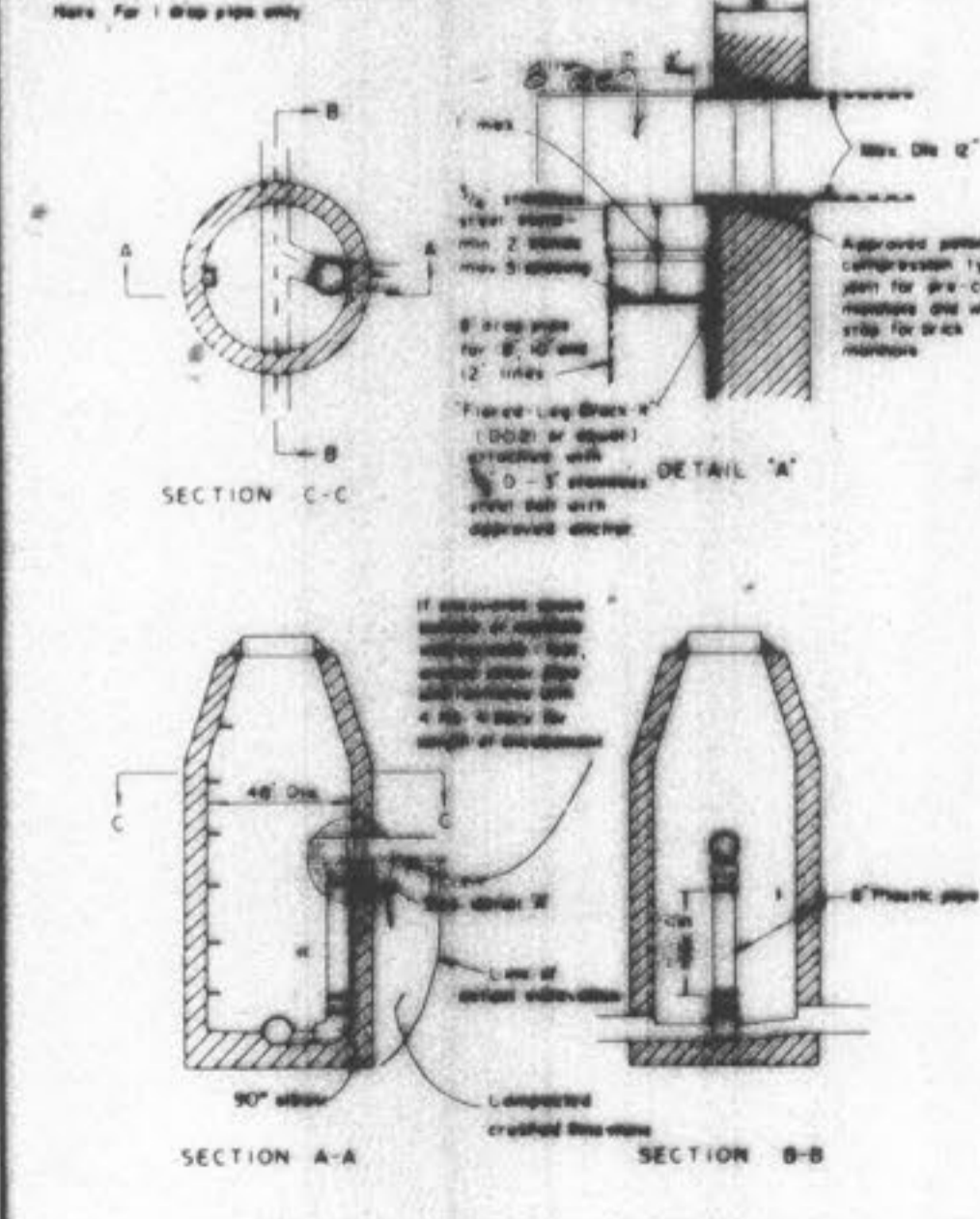
TYPICAL PRE-CAST M.H. TEE  
FOR REINFORCED CONCRETE  
PIPE SEWERS 48" AND  
LARGER IN DIAMETER

DETAIL 13



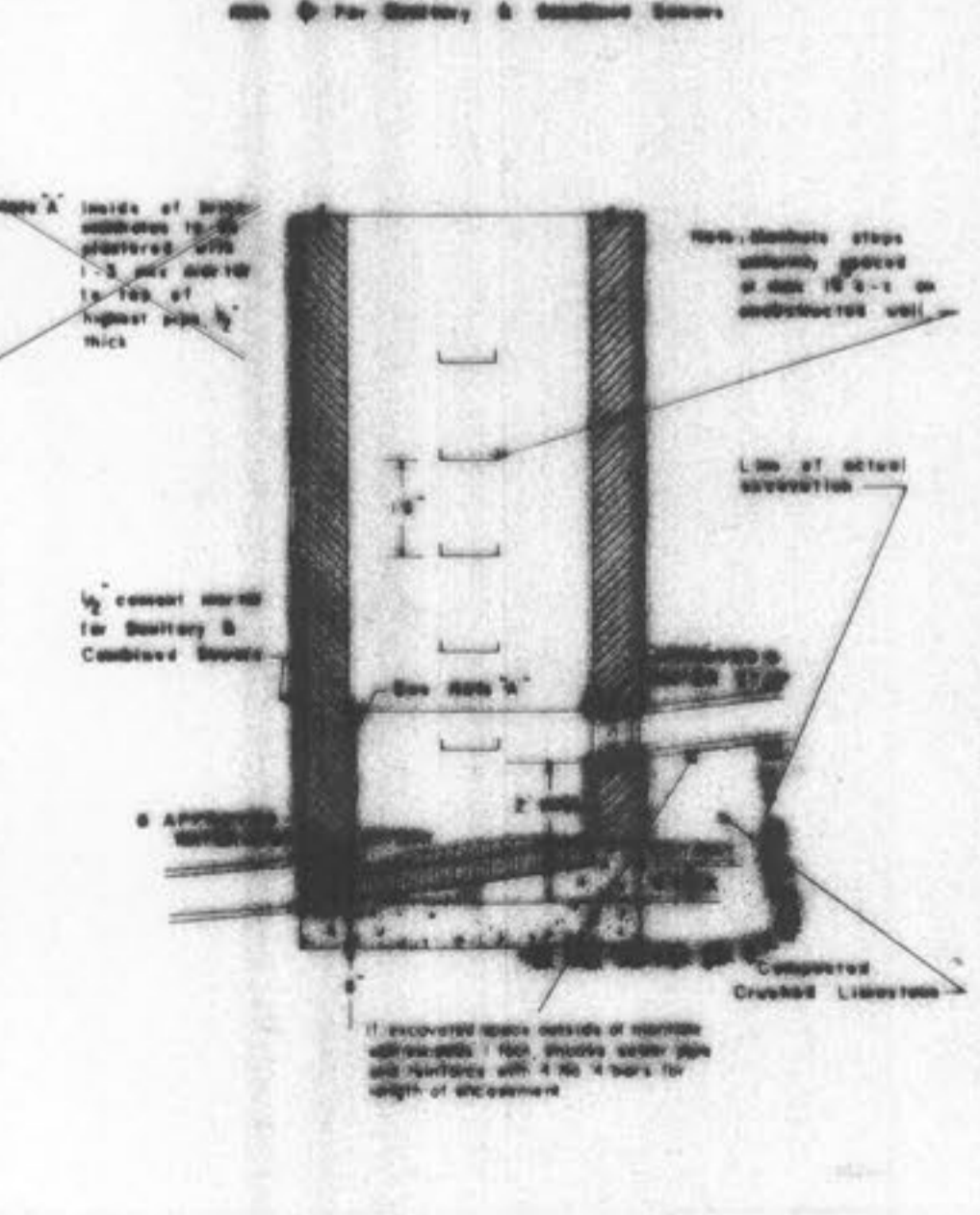
OUTSIDE FOULWATER  
DROP MANHOLE

DETAIL 14



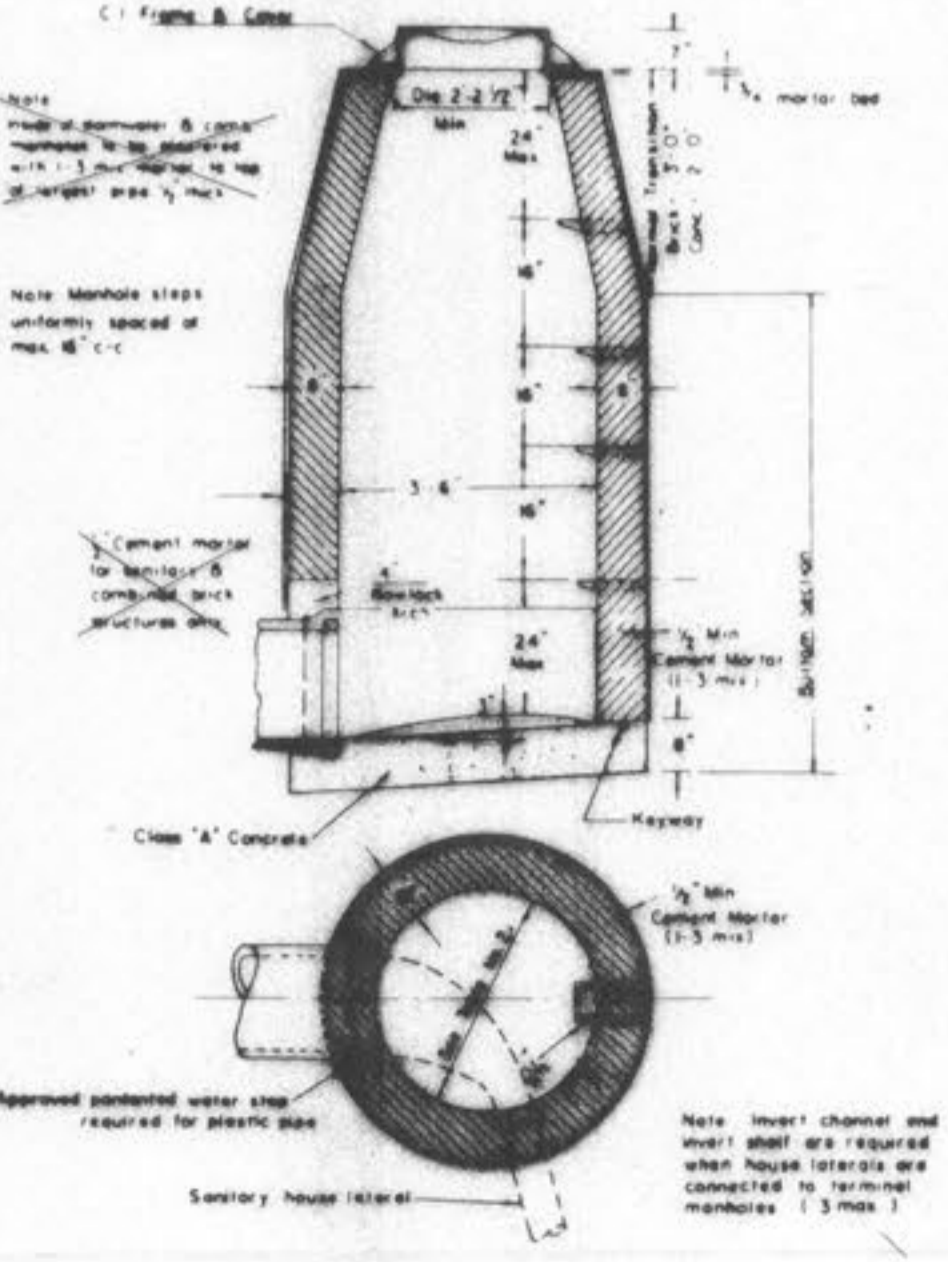
FOULWATER  
INSIDE DROP MANHOLE  
FOR PLASTIC PIPE

DETAIL 15



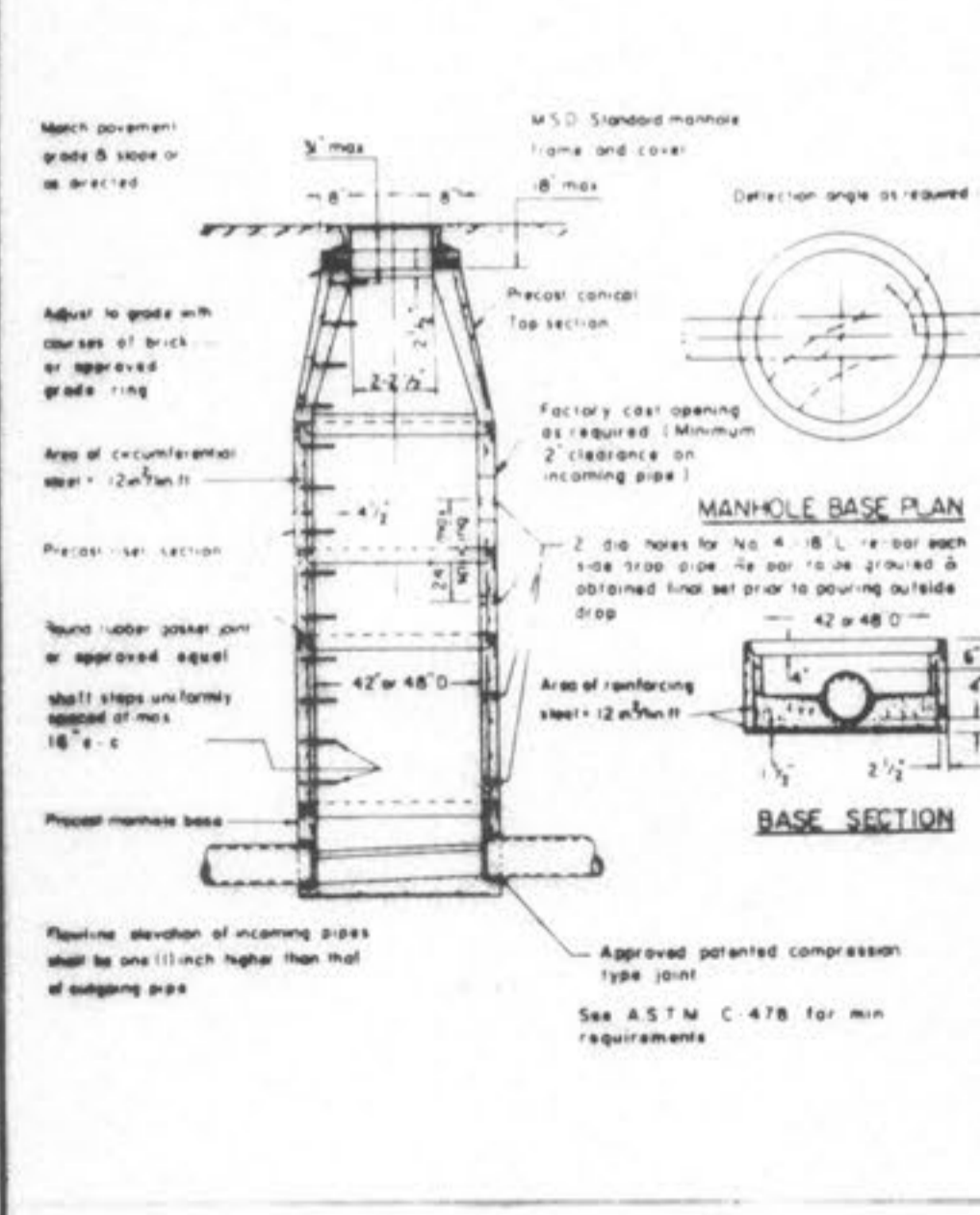
INSIDE DROP  
(8" THRU 24" DIA. PIPE)

DETAIL 16



TERMINAL MANHOLE

DETAIL 17



PRE-CAST CONCRETE MANHOLE  
FOR SEWERS  
8" THROUGH 12"

DETAIL 18  
SHEET 7 OF 14  
REV 11-2-88