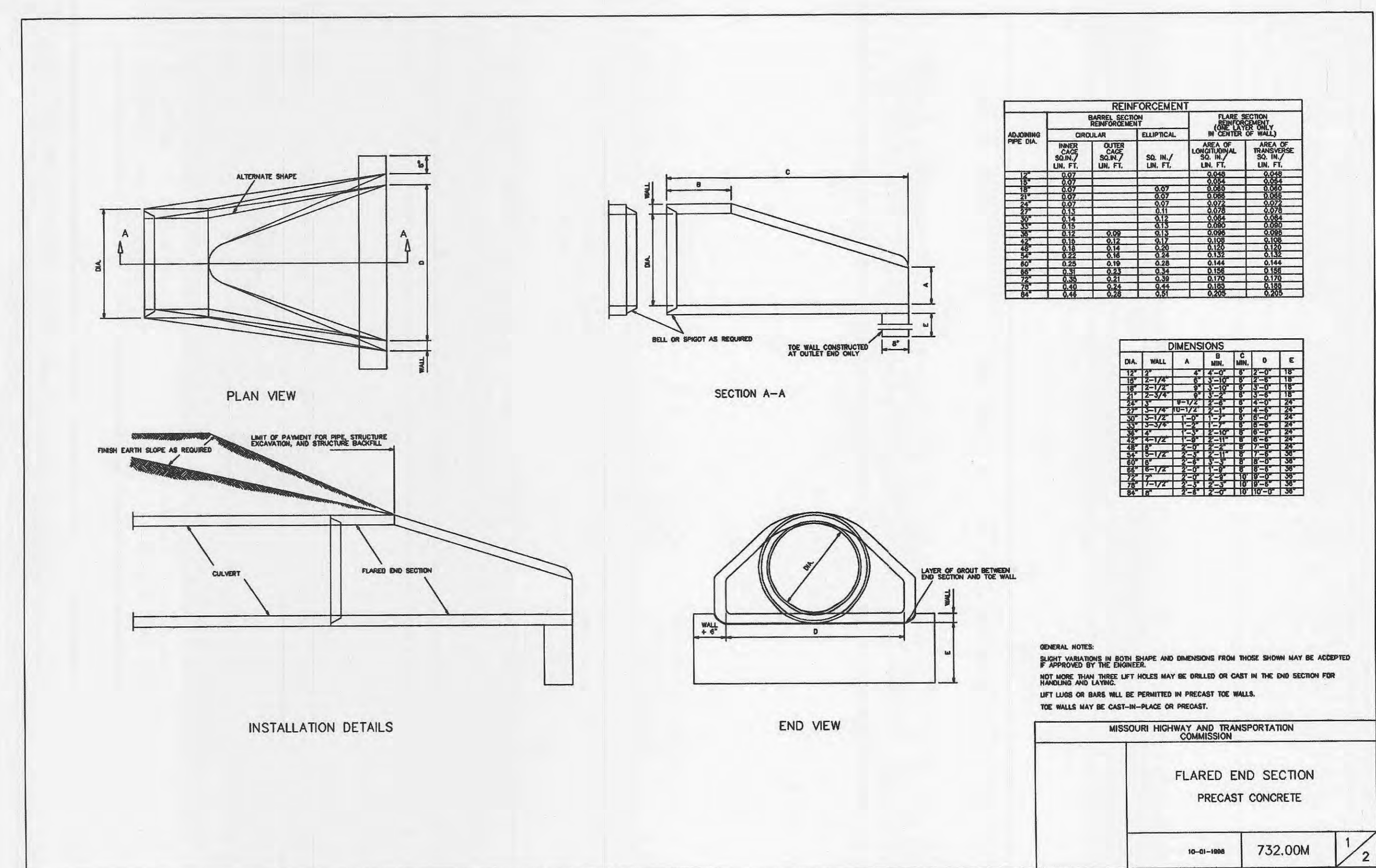
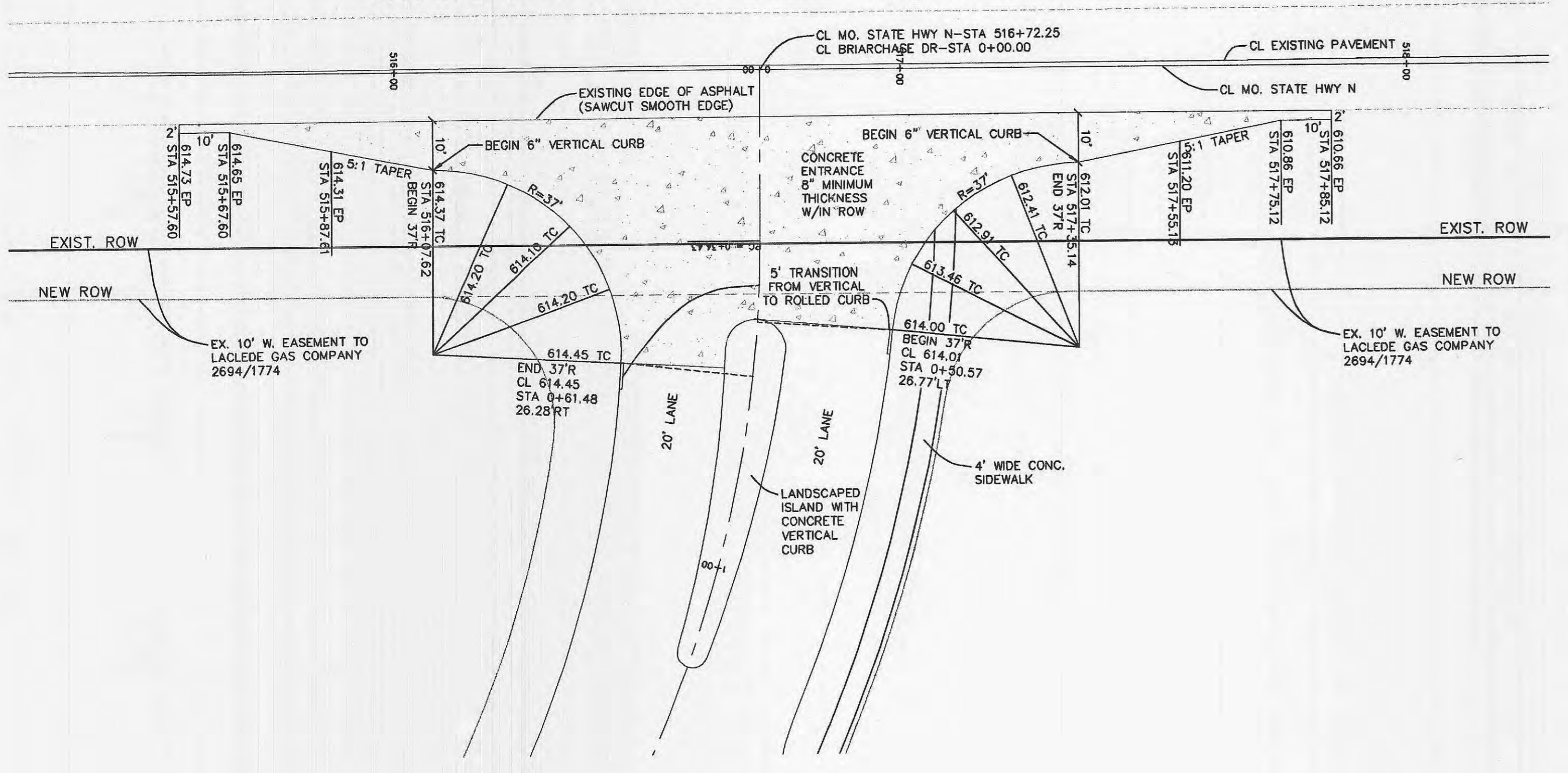


MISSOURI STATE HIGHWAY "N"



K:\D\0203043 HWY N (McBride)\IMPROVEMENTS\3043imp.dwg 10/23/2002 01:46:59 PM CDT

ISSUE REMARKS/DATE

1	10-23-02	INITIAL SUBMITTAL
---	----------	-------------------

PREPARED FOR:
McBride & Son Homes, Inc.
 #1 McBride & Son Center Drive
 Chesterfield, Missouri 63005
 (636) 537-2000

PREPARED BY:
THE STERLING CO.
 ENGINEERS & SURVEYORS
 5055 NEW BAUMGARTNER ROAD
 ST. LOUIS, MISSOURI 63129
 (314)-487-0440 FAX 487-8944
 E-Mail: Sterling@sterling-eng-sur.com

PROJECT:
BRIARCHASE

DRAWN: RLA
 DESIGNED: RLA
 CHECKED: RLA

SHEET TITLE:
 ENTRANCE DETAILS

NO.	02	03	043
M.S.D.	P# N/A	3	SHEET
DIGITAL FILE LOCATION	SERVER=STERLING-2	0203043\0203043.dwg	OF 3