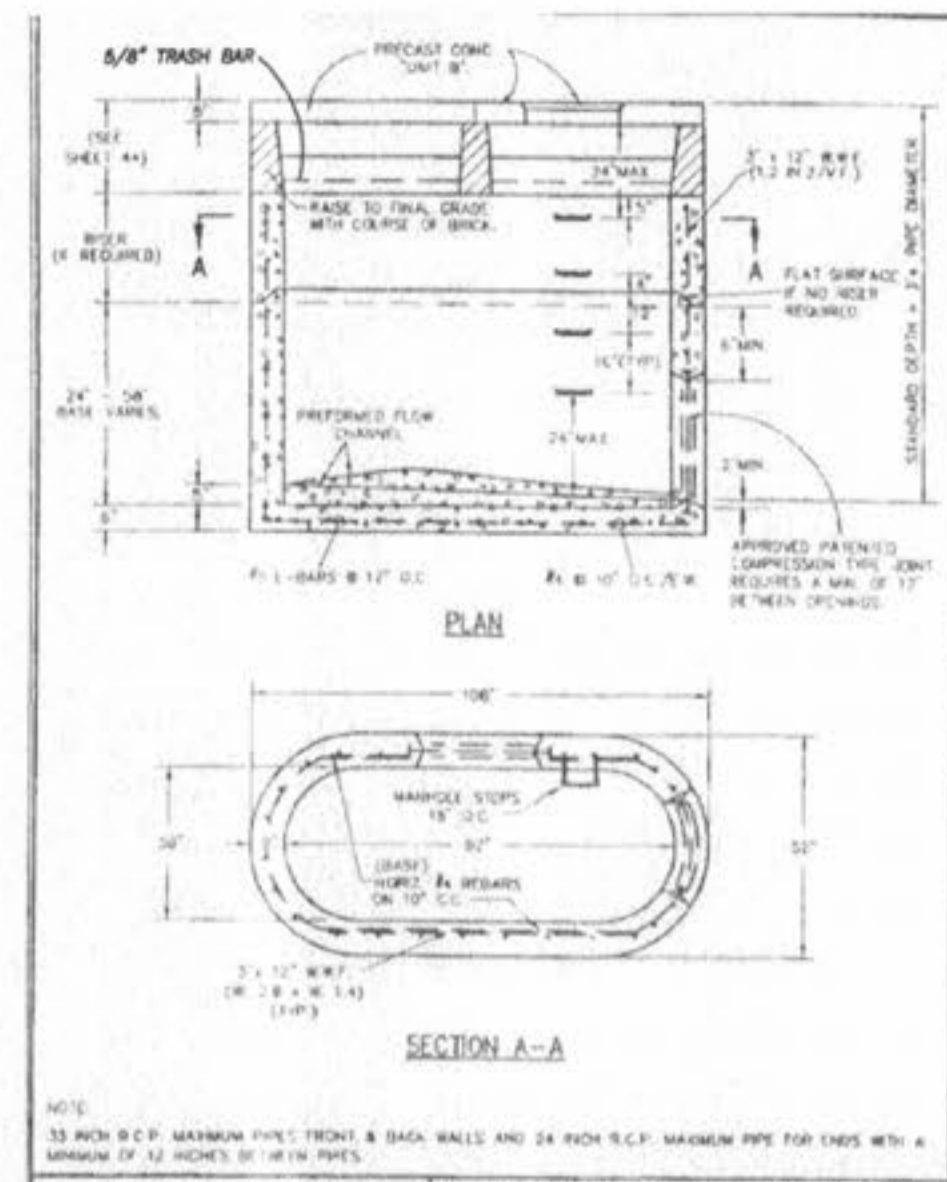
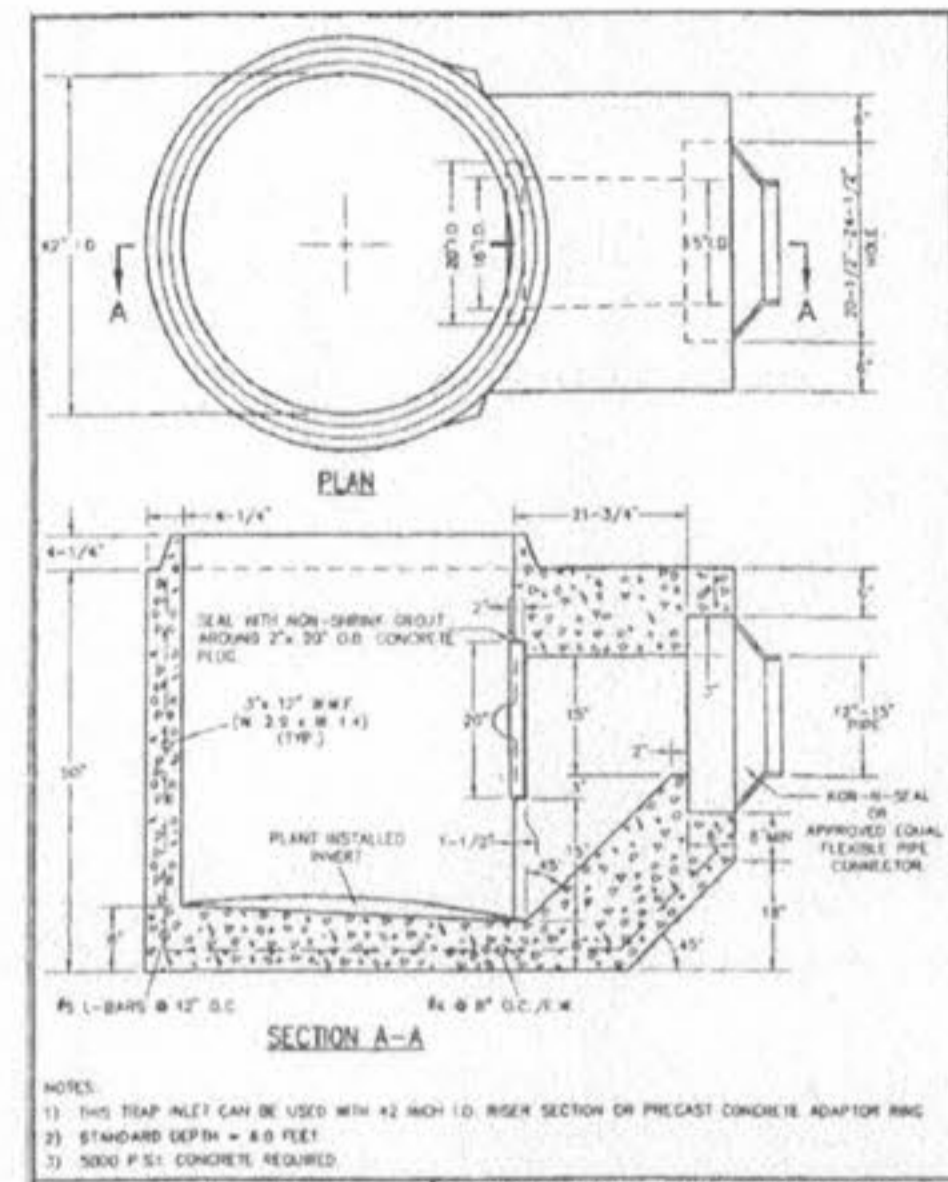


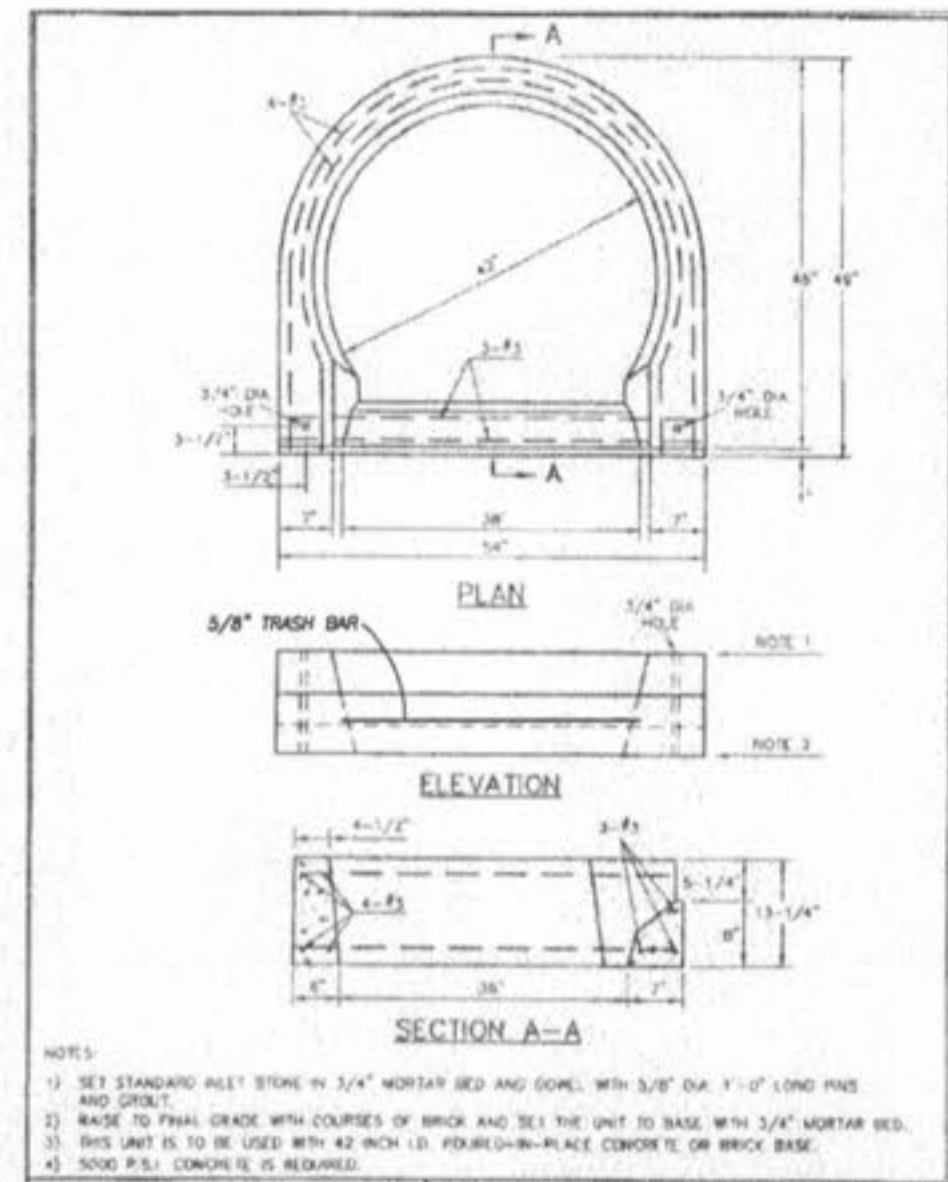
SINGLE STREET INLETS PRECAST CONCRETE	METROPOLITAN ST. LOUIS SEWER DISTRICT Standard Details of Sewer Construction	DR. J.S./SAM CH. J.C.K.	2000	SHEET 37
--	---	----------------------------	------	----------



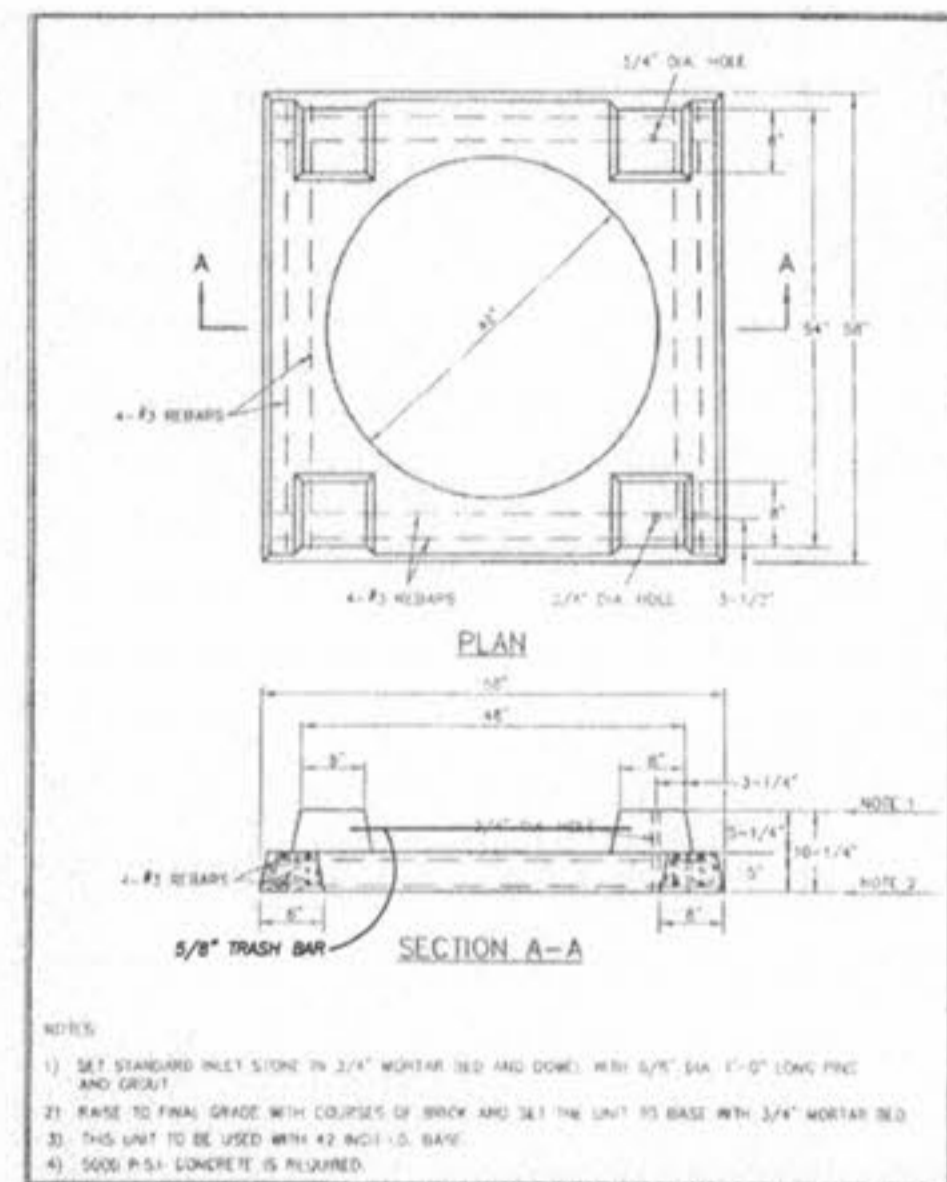
DOUBLE UNTRAPPED STREET INLET PRECAST CONCRETE	METROPOLITAN ST. LOUIS SEWER DISTRICT Standard Details of Sewer Construction	DR. J.S./SAM CH. J.C.K.	2000	SHEET 38
--	---	----------------------------	------	----------



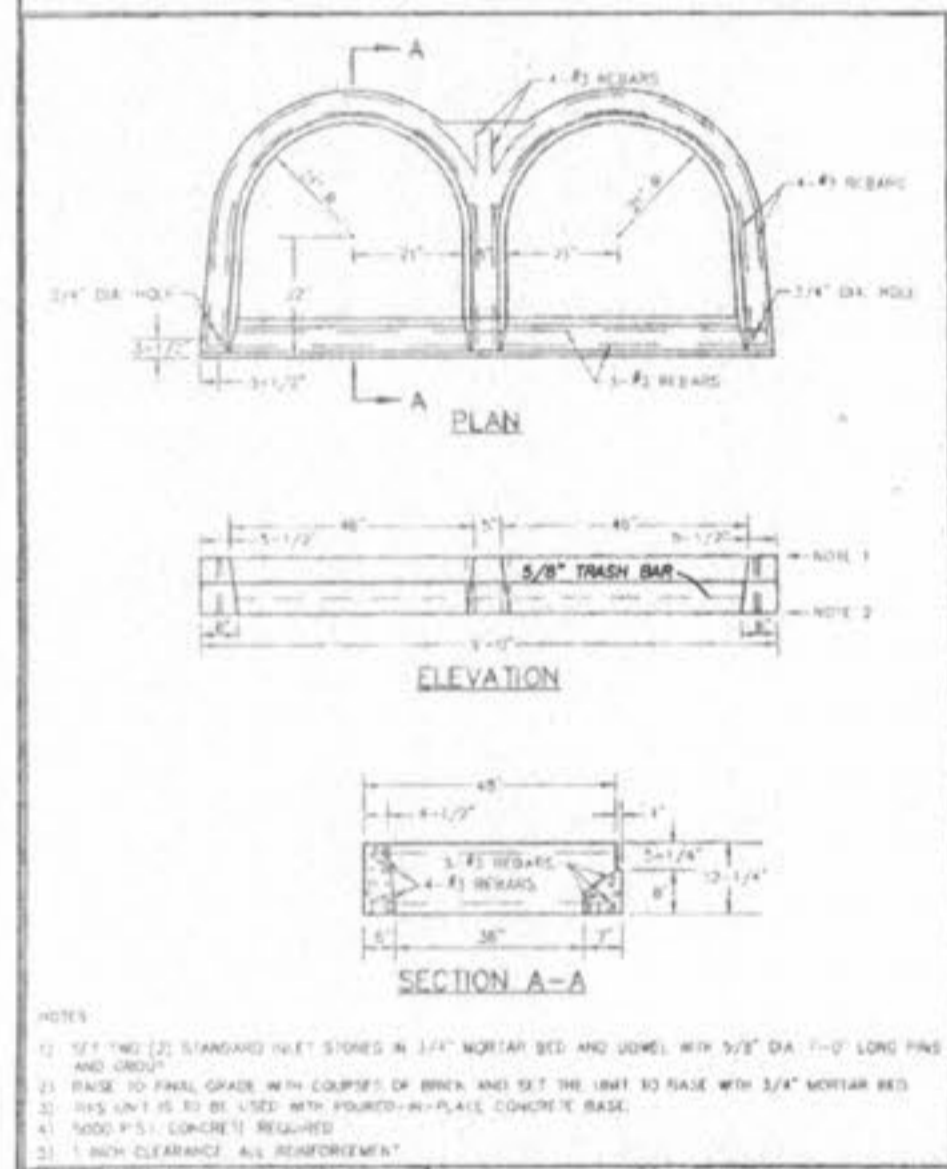
PRECAST CONCRETE UNIT FOR SINGLE STREET INLET	METROPOLITAN ST. LOUIS SEWER DISTRICT Standard Details of Sewer Construction	DR. J.S./SAM CH. J.C.K.	2000	SHEET 40
---	---	----------------------------	------	----------



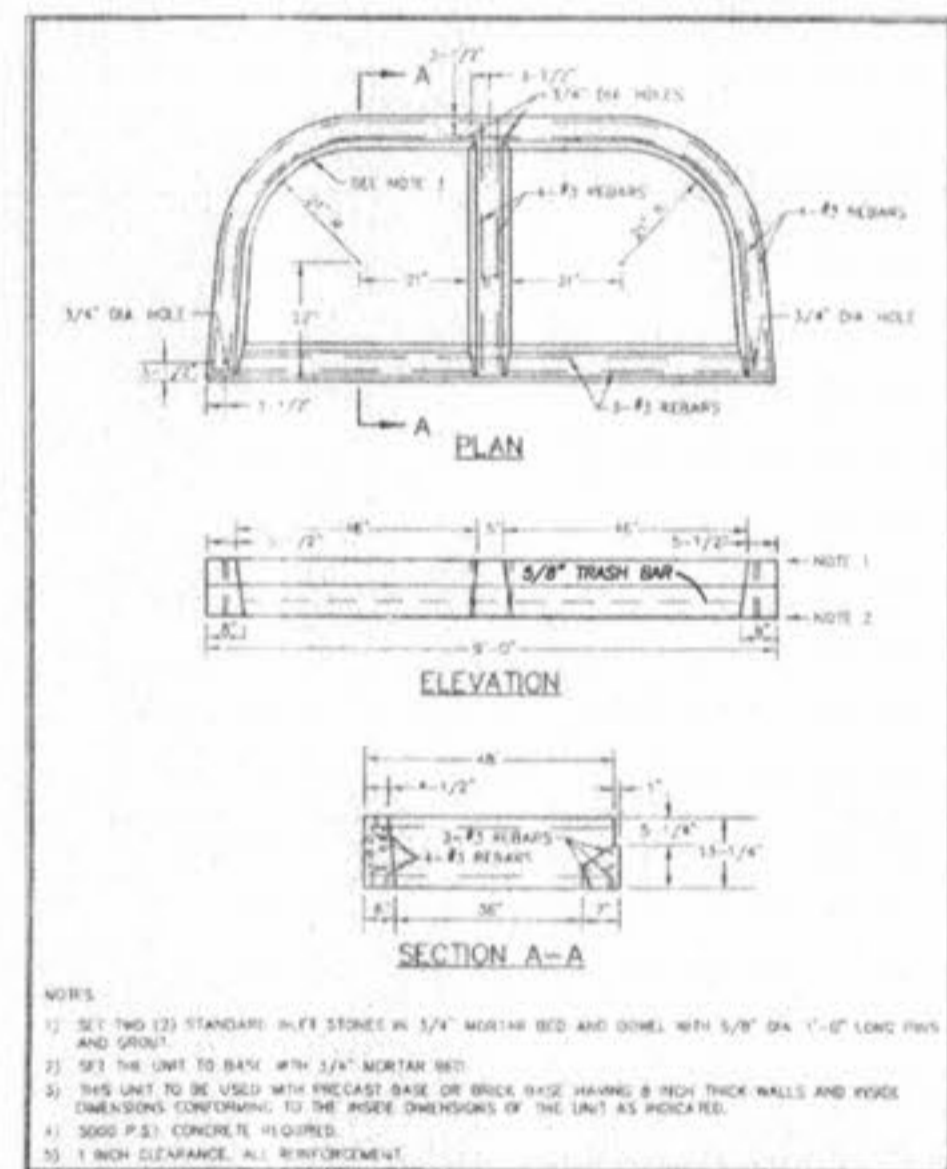
PRECAST CONCRETE UNIT FOR 4 WAY AREA INLET	METROPOLITAN ST. LOUIS SEWER DISTRICT Standard Details of Sewer Construction	DR. J.S./SAM CH. J.C.K.	2000	SHEET 41
--	---	----------------------------	------	----------



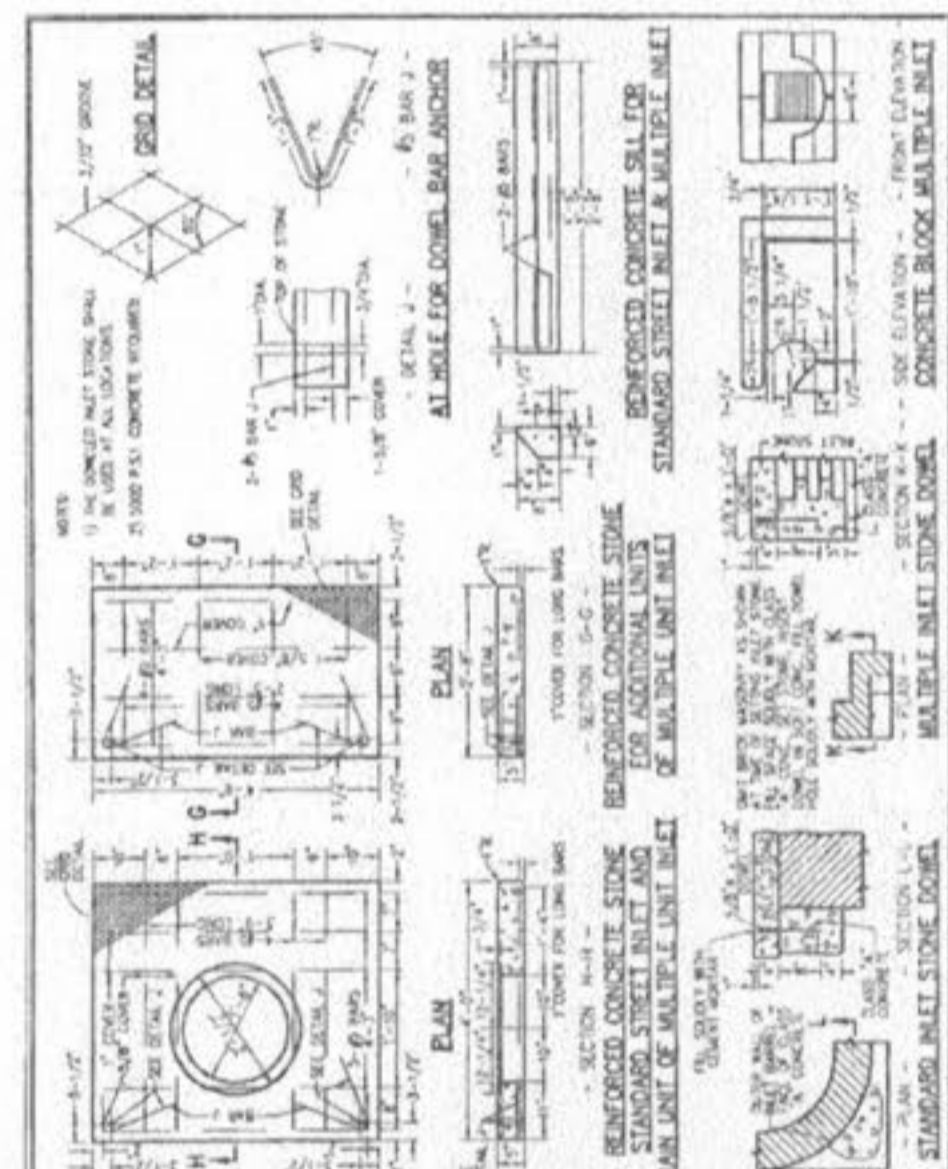
CONCRETE DOUBLE STREET INLET WITH PRECAST CONCRETE UNIT "A"	METROPOLITAN ST. LOUIS SEWER DISTRICT Standard Details of Sewer Construction	DR. J.S./SAM CH. J.C.K.	2000	SHEET 42
---	---	----------------------------	------	----------



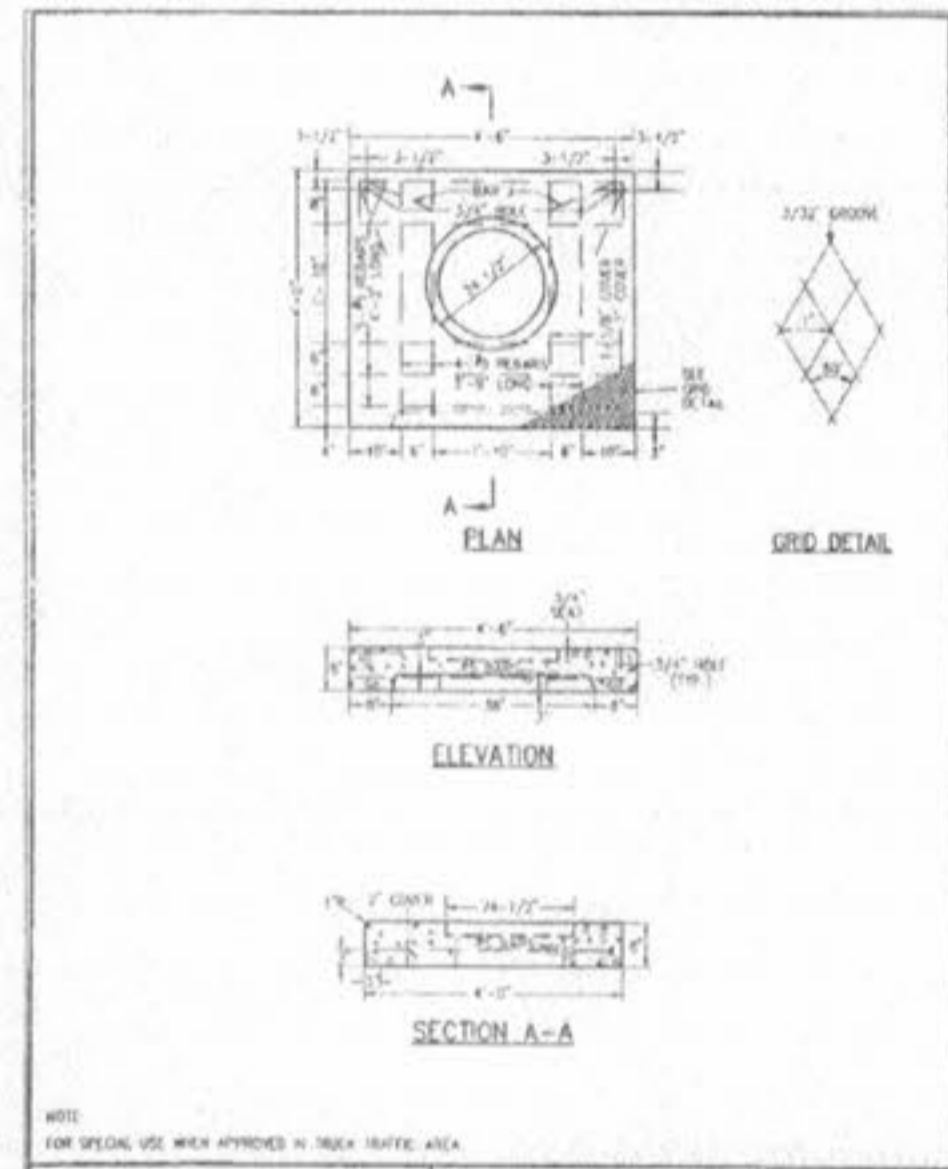
PRECAST CONCRETE UNIT "A" FOR STREET DOUBLE INLET	METROPOLITAN ST. LOUIS SEWER DISTRICT Standard Details of Sewer Construction	DR. J.S./SAM CH. J.C.K.	2000	SHEET 43
---	---	----------------------------	------	----------



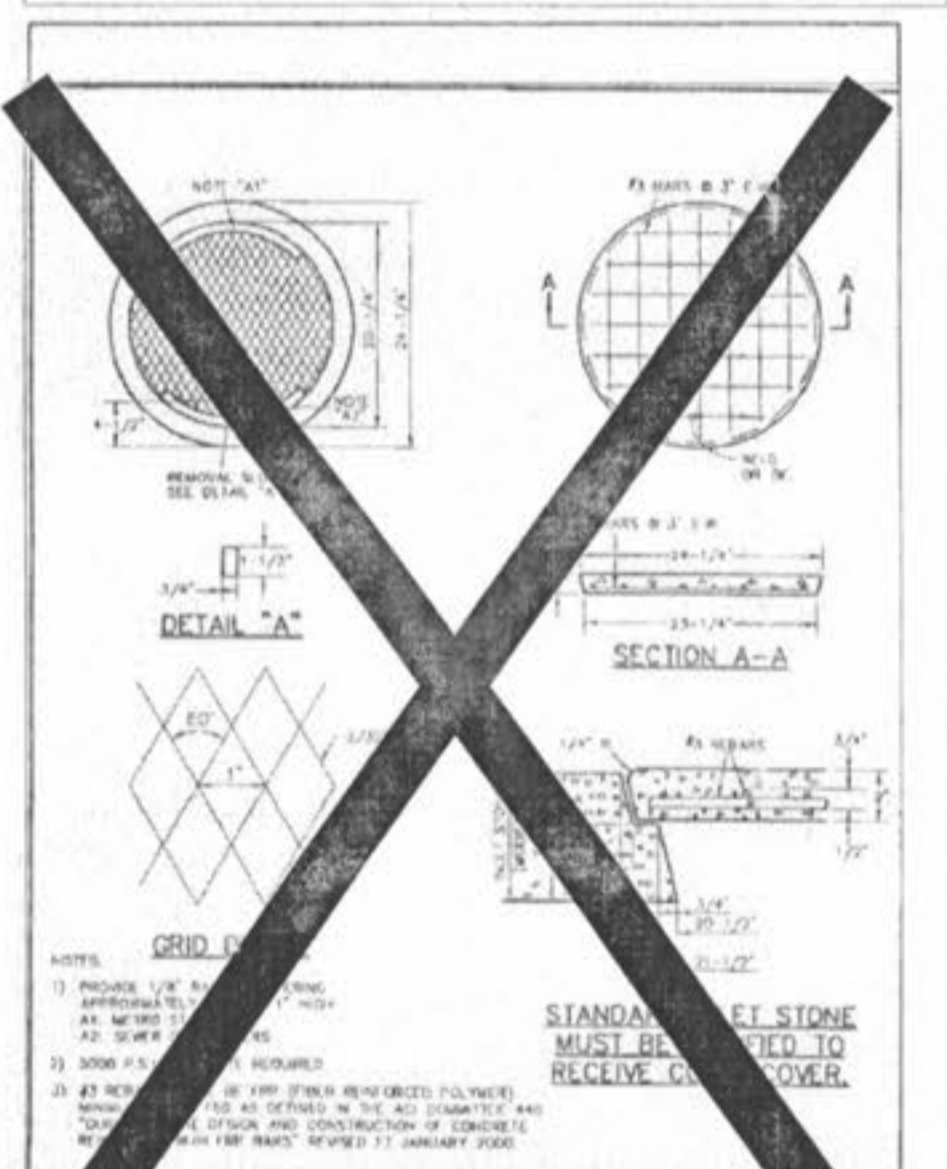
PRECAST CONCRETE UNIT "B" FOR STREET DOUBLE INLET	METROPOLITAN ST. LOUIS SEWER DISTRICT Standard Details of Sewer Construction	DR. J.S./SAM CH. J.C.K.	2000	SHEET 44
---	---	----------------------------	------	----------



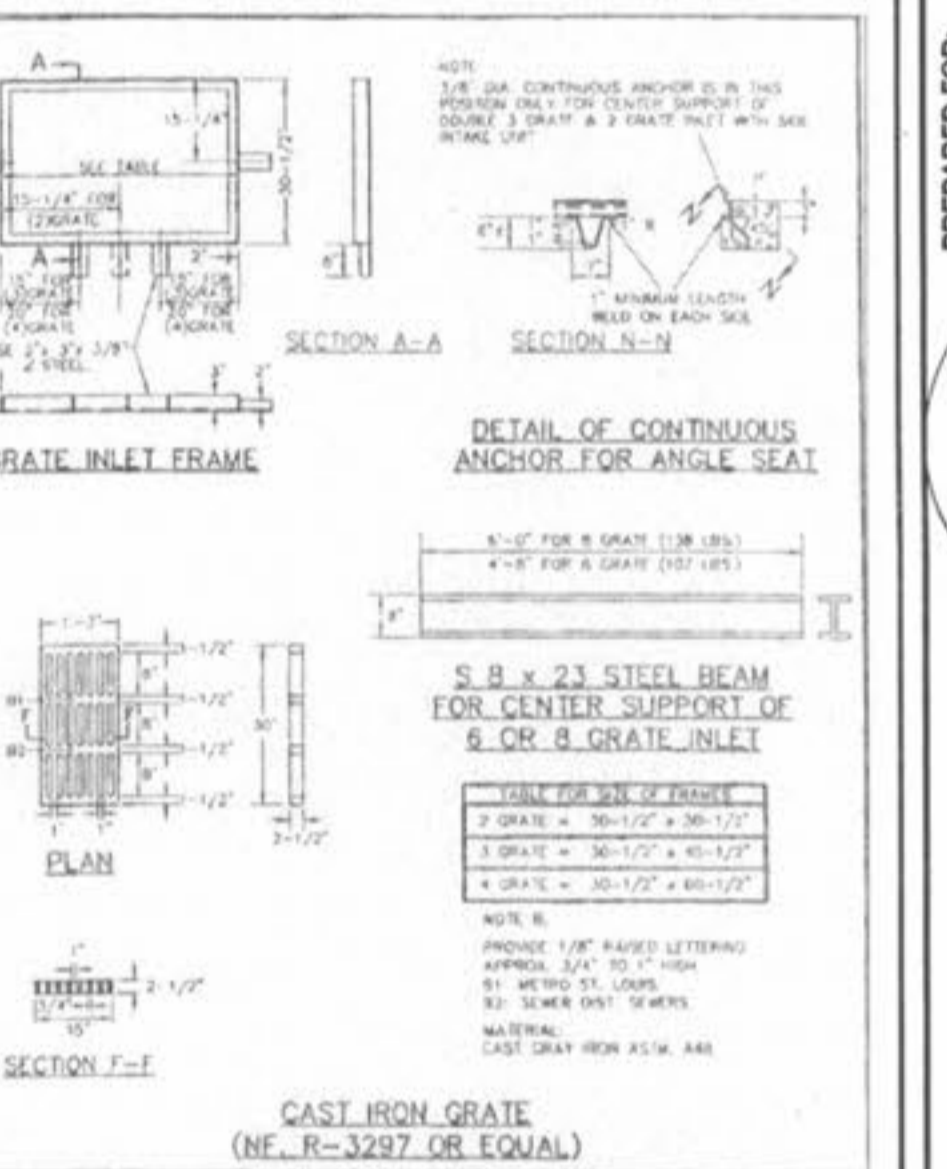
STANDARD - INLET STONES, BLOCKS & DESIGN DETAILS	METROPOLITAN ST. LOUIS SEWER DISTRICT Standard Details of Sewer Construction	DR. J.S./SAM CH. J.C.K.	2000	SHEET 45
---	---	----------------------------	------	----------



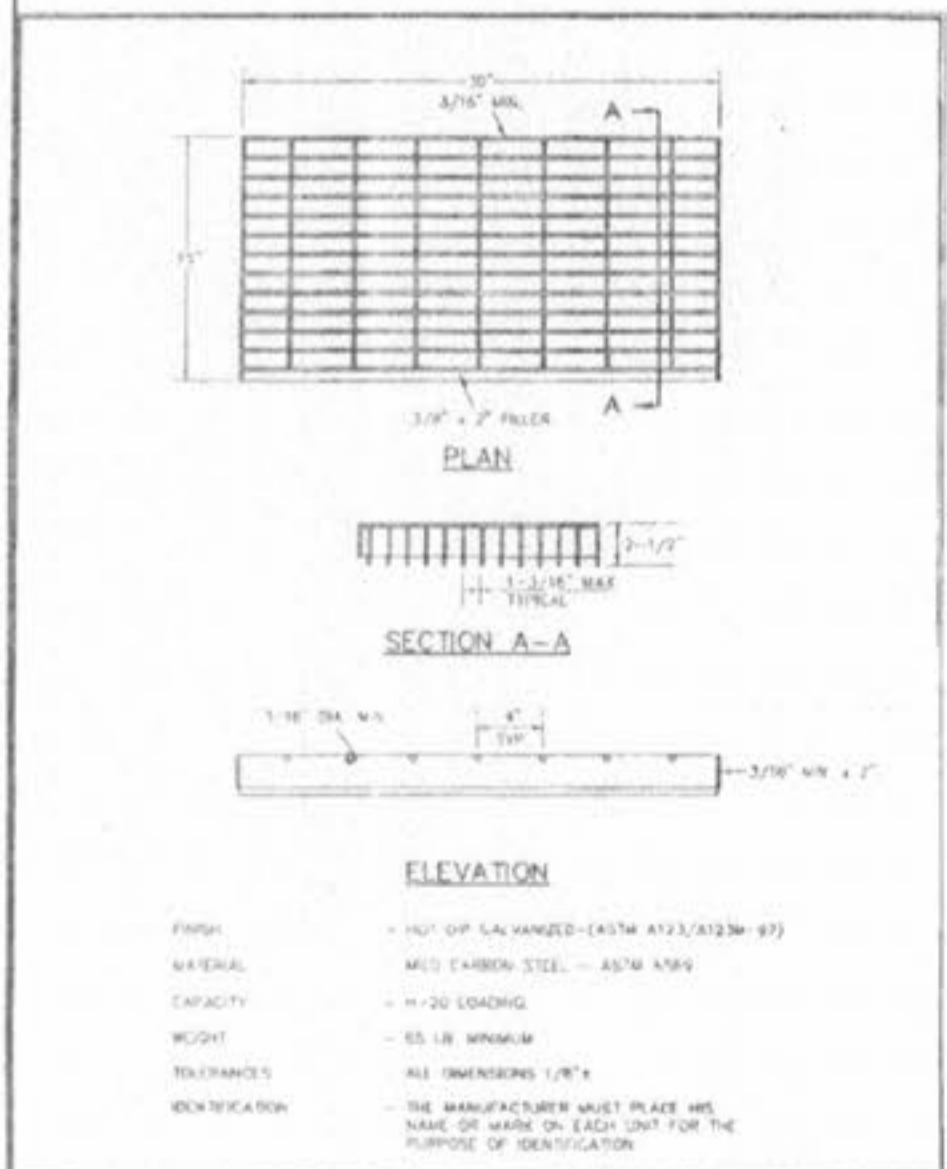
HEAVY DUTY 8 INCH INLET STONE (ALTERNATE)	METROPOLITAN ST. LOUIS SEWER DISTRICT Standard Details of Sewer Construction	DR. J.S./SAM CH. J.C.K.	2000	SHEET 46
---	---	----------------------------	------	----------



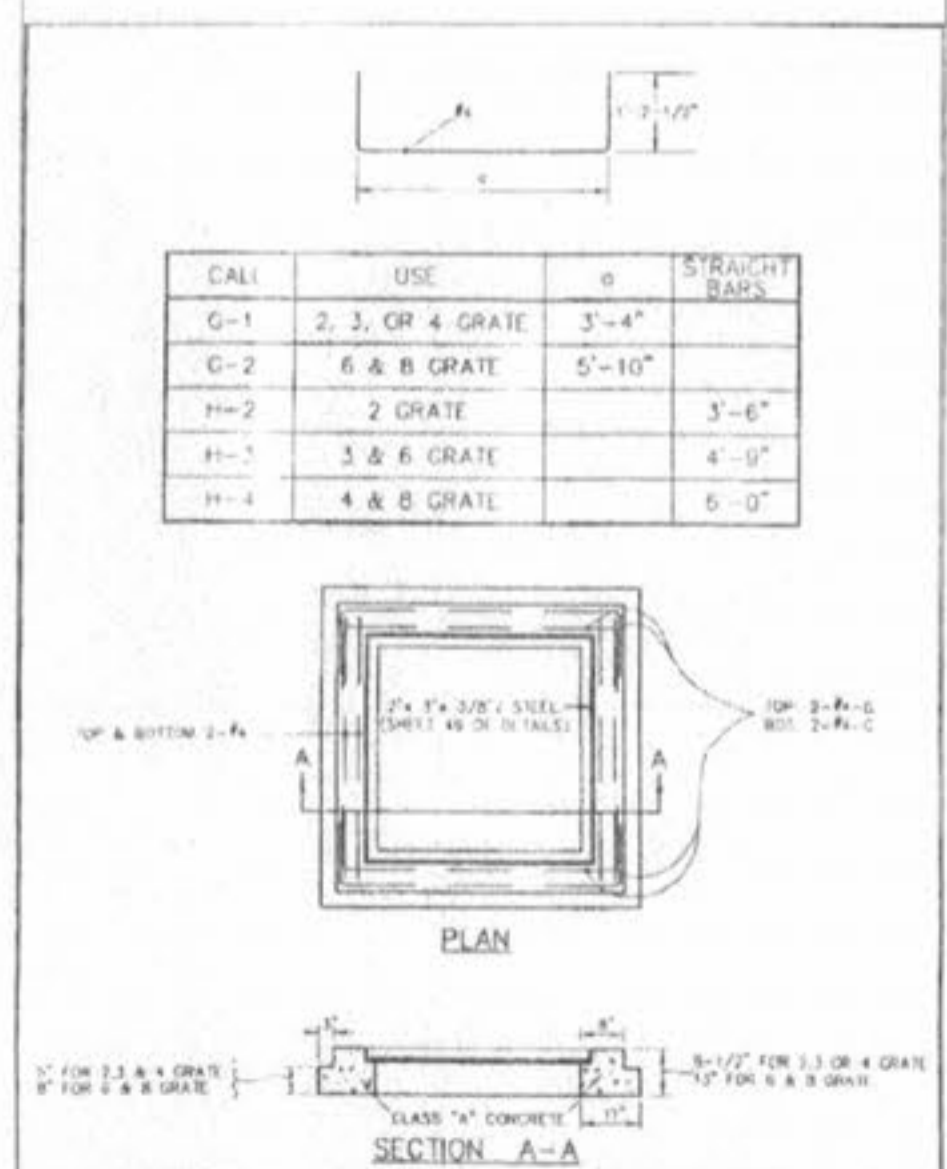
PRECAST CONCRETE INLET COVER	METROPOLITAN ST. LOUIS SEWER DISTRICT Standard Details of Sewer Construction	DR. J.S./SAM CH. J.C.K.	2000	SHEET 47
---------------------------------	---	----------------------------	------	----------



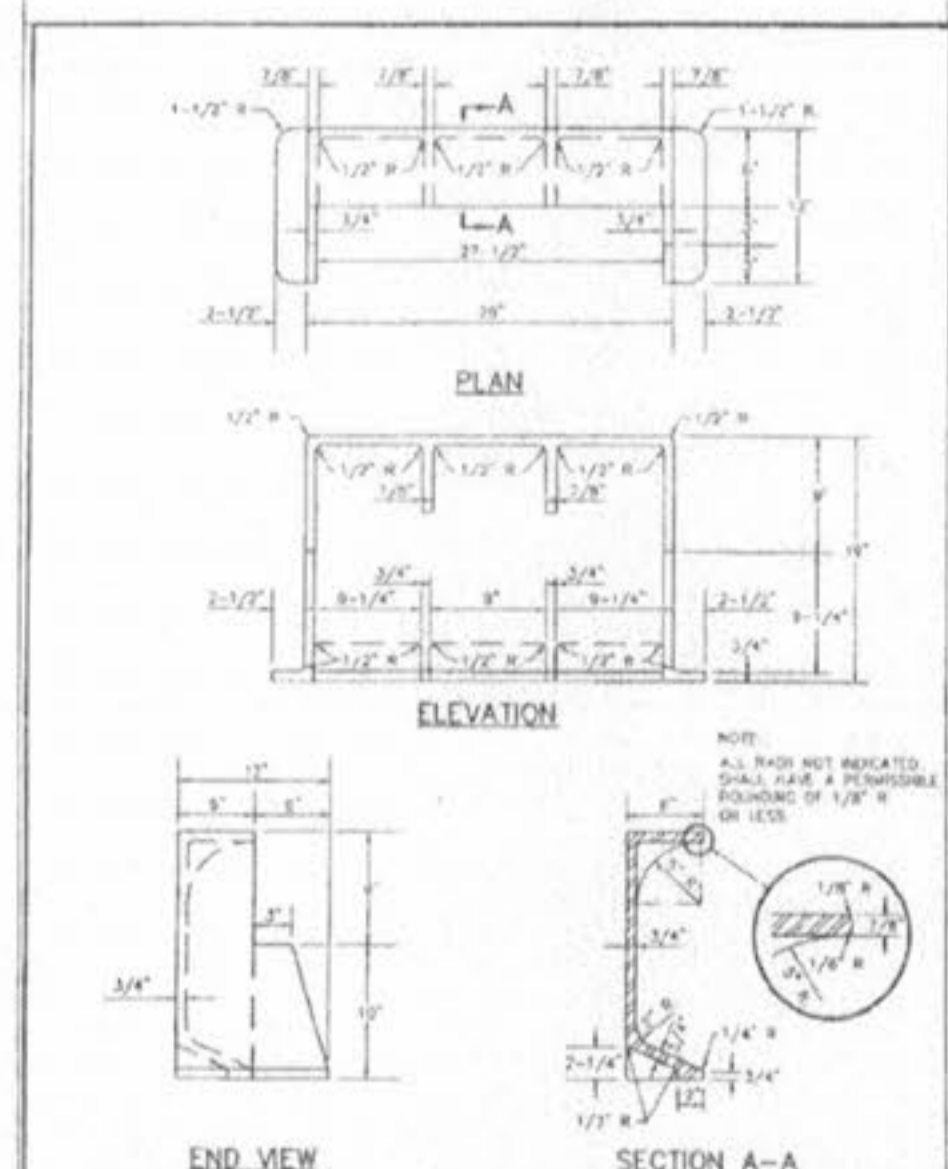
DETAILS OF INLET FRAME AND GRATES	METROPOLITAN ST. LOUIS SEWER DISTRICT Standard Details of Sewer Construction	DR. J.S./SAM CH. J.C.K.	2000	SHEET 48
--------------------------------------	---	----------------------------	------	----------



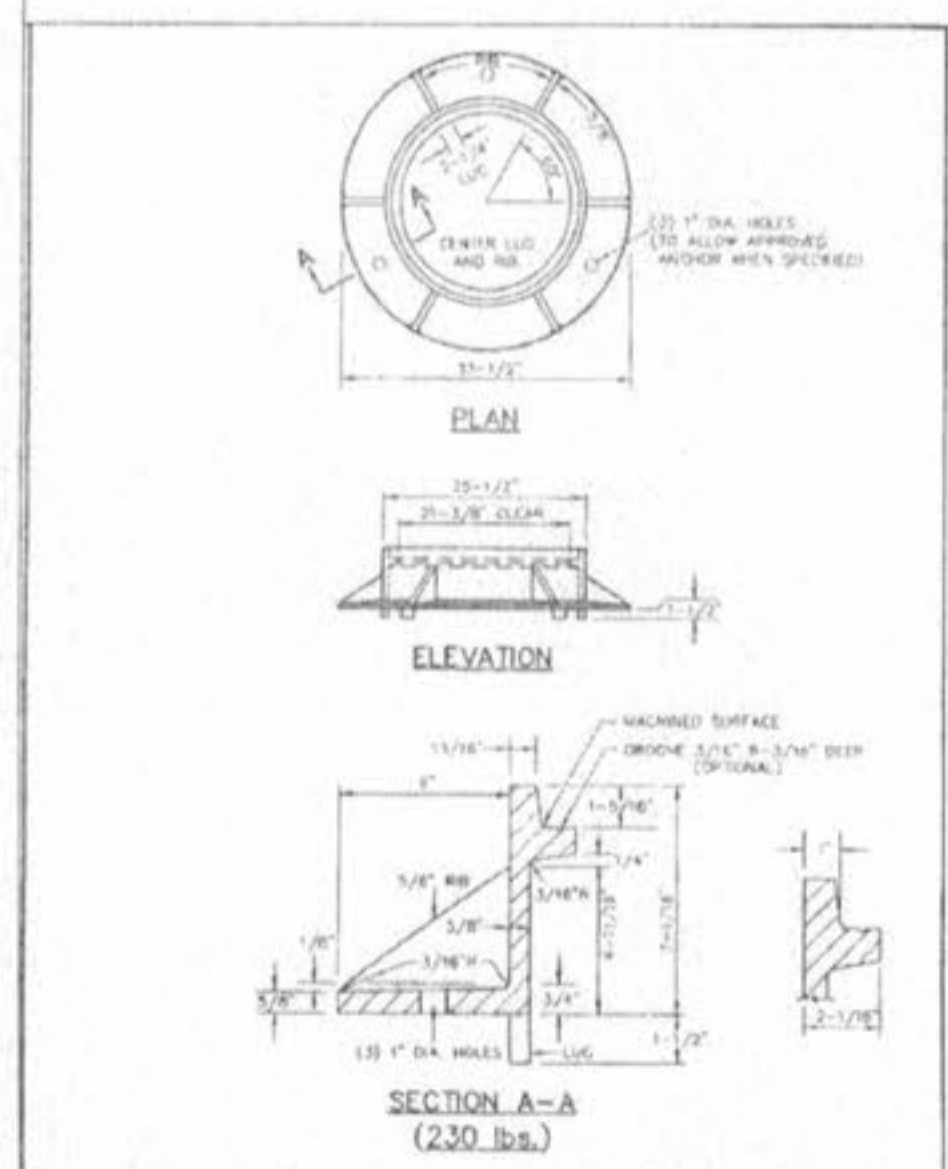
DETAIL OF STEEL GRATE	METROPOLITAN ST. LOUIS SEWER DISTRICT Standard Details of Sewer Construction	DR. J.S./SAM CH. J.C.K.	2000	SHEET 49
-----------------------	---	----------------------------	------	----------



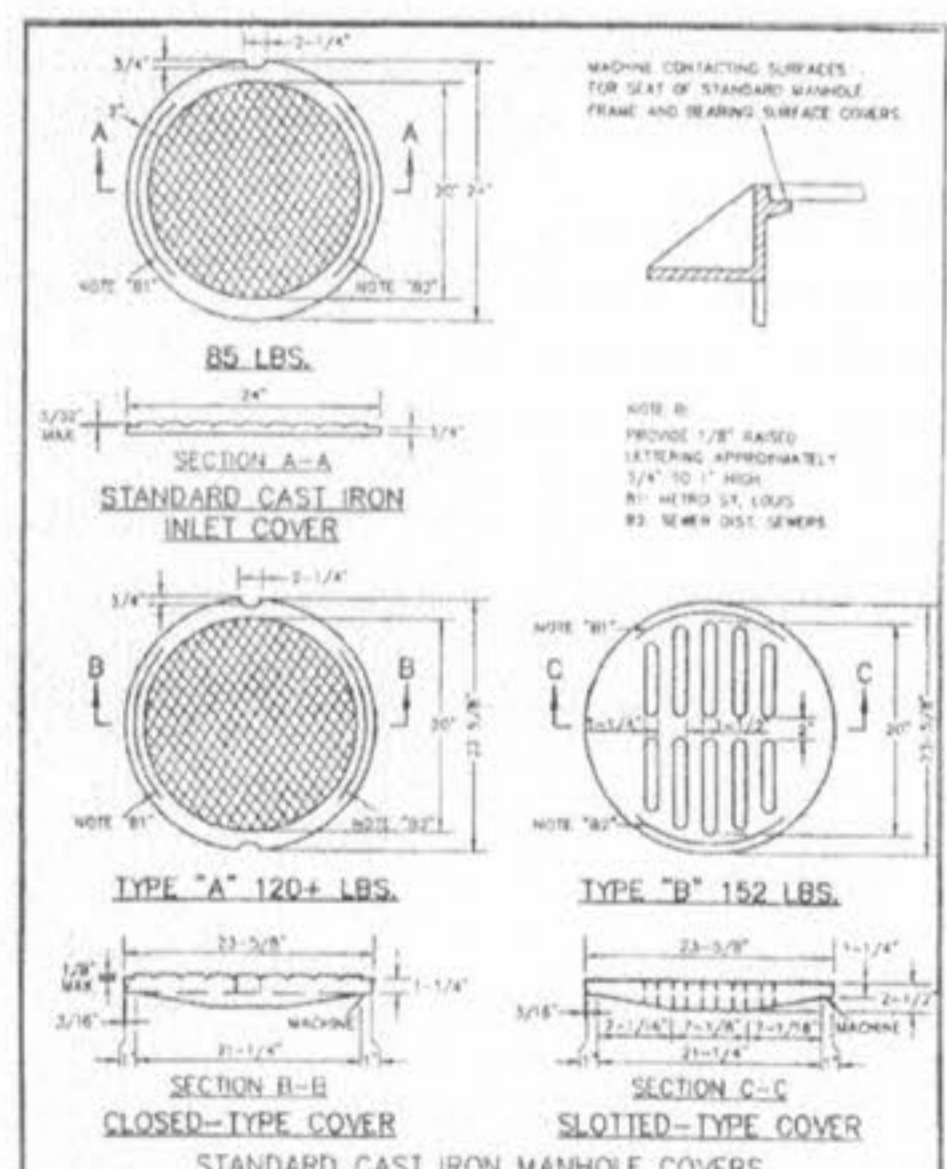
STEEL REQUIREMENTS FOR GRATE INLET SEAT	METROPOLITAN ST. LOUIS SEWER DISTRICT Standard Details of Sewer Construction	DR. J.S./SAM CH. J.C.K.	2000	SHEET 50
--	---	----------------------------	------	----------



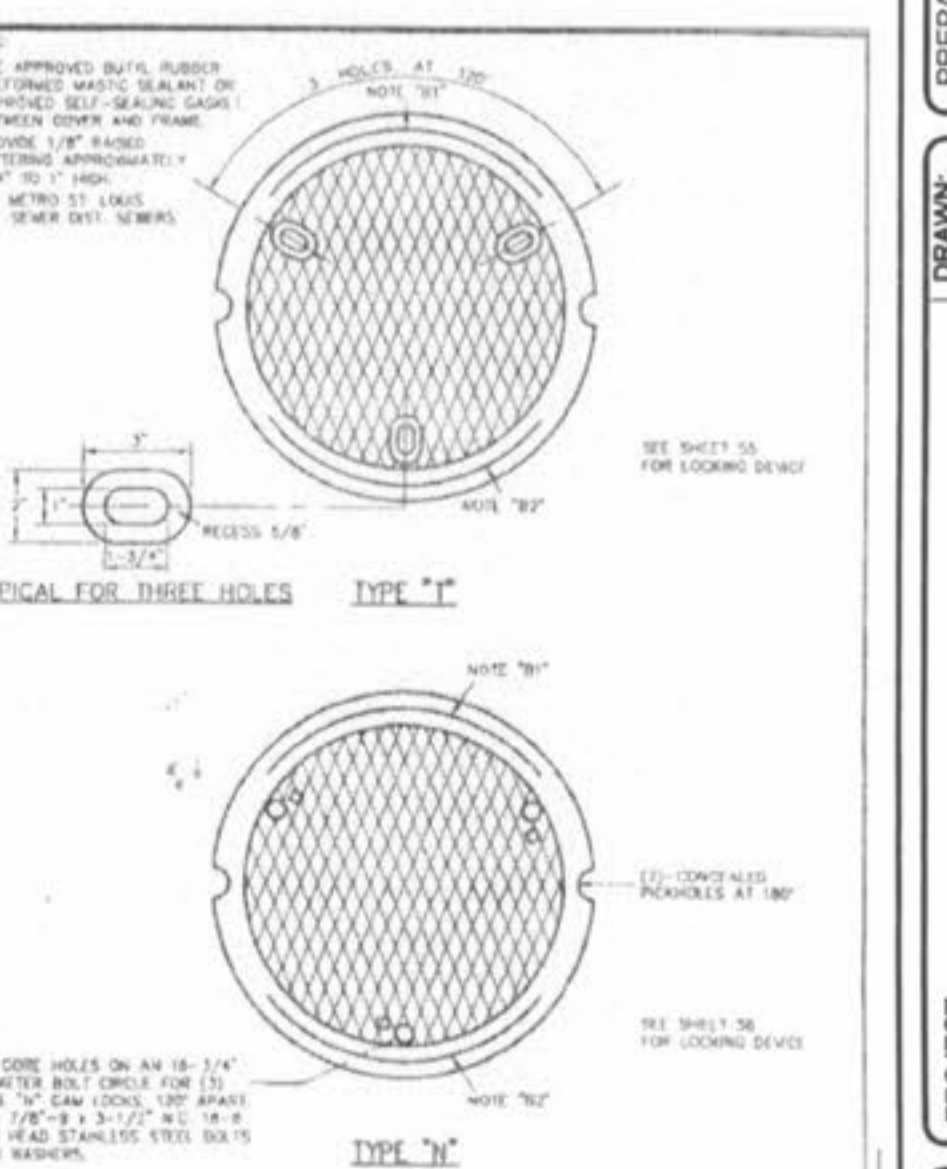
CAST IRON SIDE INTAKE UNIT FOR GRATED INLETS 249 LBS.	METROPOLITAN ST. LOUIS SEWER DISTRICT Standard Details of Sewer Construction	DR. J.S./SAM CH. J.C.K.	2000	SHEET 51
---	---	----------------------------	------	----------



CAST IRON MANHOLE FRAME	METROPOLITAN ST. LOUIS SEWER DISTRICT Standard Details of Sewer Construction	DR. J.S./SAM CH. J.C.K.	2000	SHEET 52
----------------------------	---	----------------------------	------	----------



CAST IRON COVERS MANHOLES AND INLETS	METROPOLITAN ST. LOUIS SEWER DISTRICT Standard Details of Sewer Construction	DR. J.S./SAM CH. J.C.K.	2000	SHEET 53
---	---	----------------------------	------	----------



CAST IRON MANHOLE COVERS (LOCK TYPE)	METROPOLITAN ST. LOUIS SEWER DISTRICT Standard Details of Sewer Construction	DR. J.S./SAM CH. J.C.K.	2000	SHEET 54
--	---	----------------------------	------	----------

ISSUE	REVISION/DATE
1	05-14-03 1st Submittal
2	06-24-03 City of Ofallon Comments

PREPARED FOR:
McBride & Son Home, Inc.
#1 McBride & Son Center Drive
Chesterfield, Missouri 63005
(636) 537-2000

PREPARED BY:
STERLING CO.
ENGINEERS & SURVEYORS
5055 NEW BAUMGARTNER ROAD
ST. LOUIS, MISSOURI 63129
(314) 487-0440 FAX 487-8944
E-Mail: Sterling@con-stl.net

DRAWN: _____
DESIGNED: _____
CHECKED: _____
PROJECT: **BRIARCHASE PHASE TWO**
SHEET TITLE: CONSTRUCTION DETAILS

NO.	02 03 043
M.S.D.	SHEET
PH	CD5
DIGITAL FILE LOCATION	OF