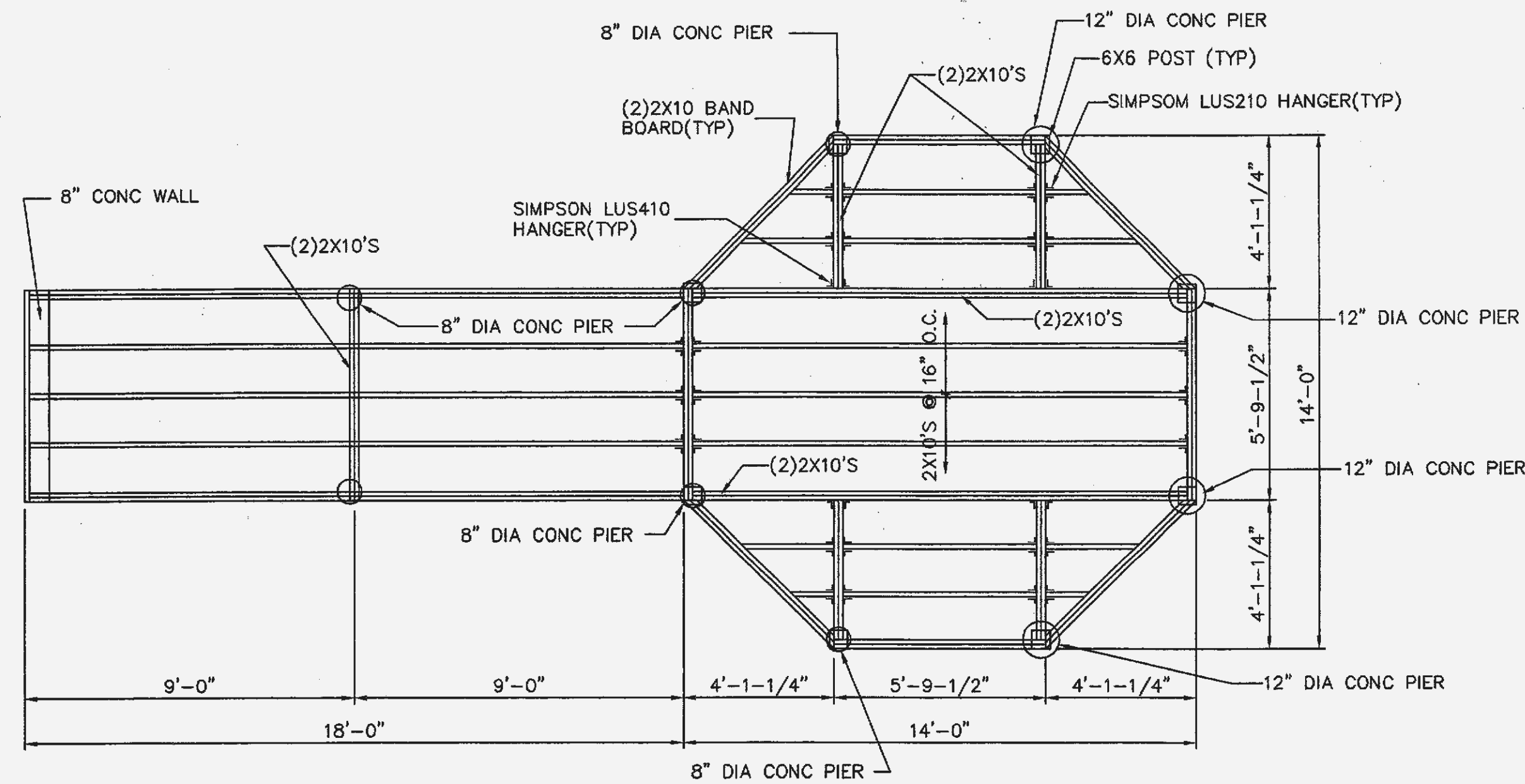


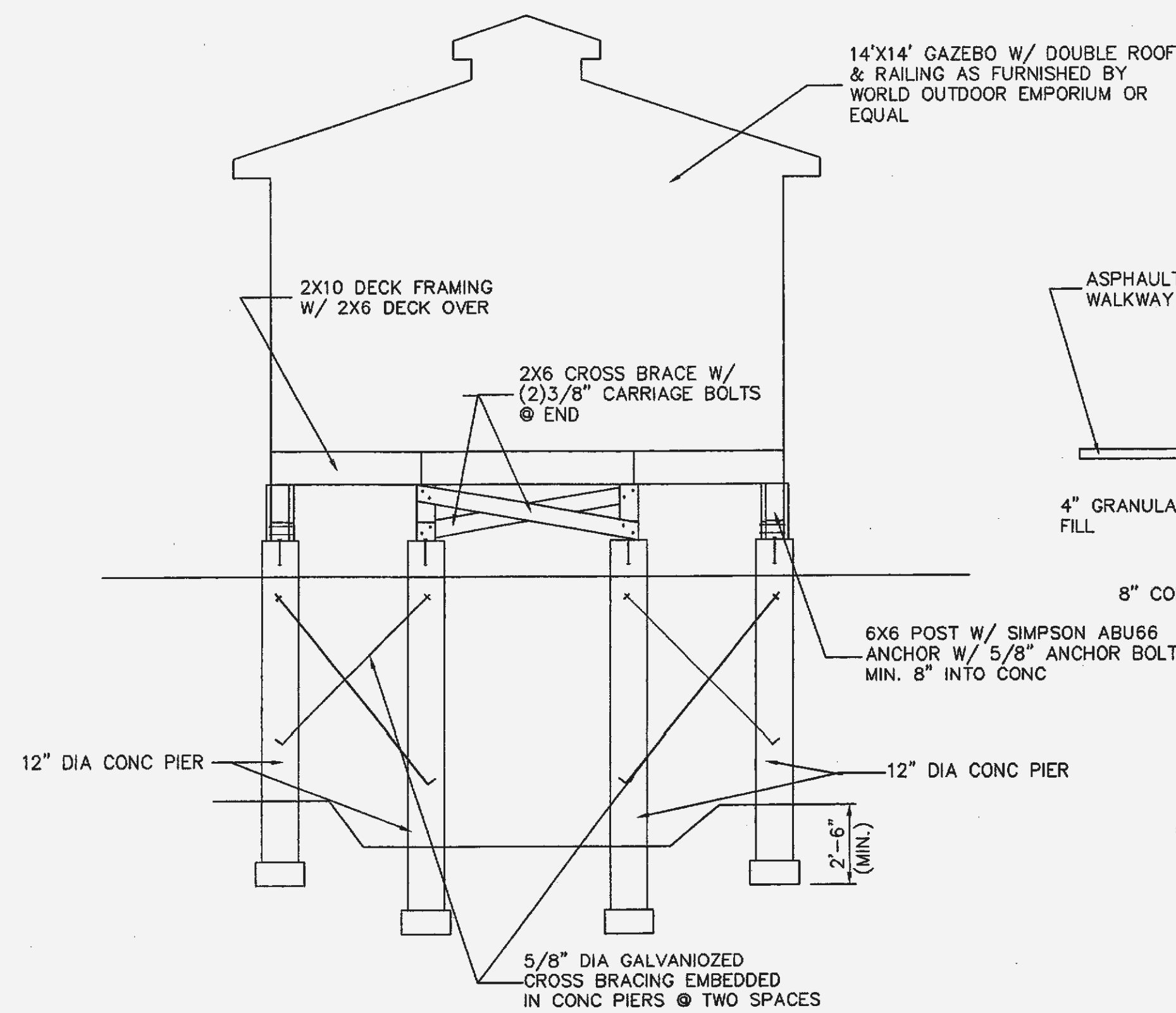
CONCRETE PIER LOCATION LAYOUT

SCALE 1/4" = 1'-0"



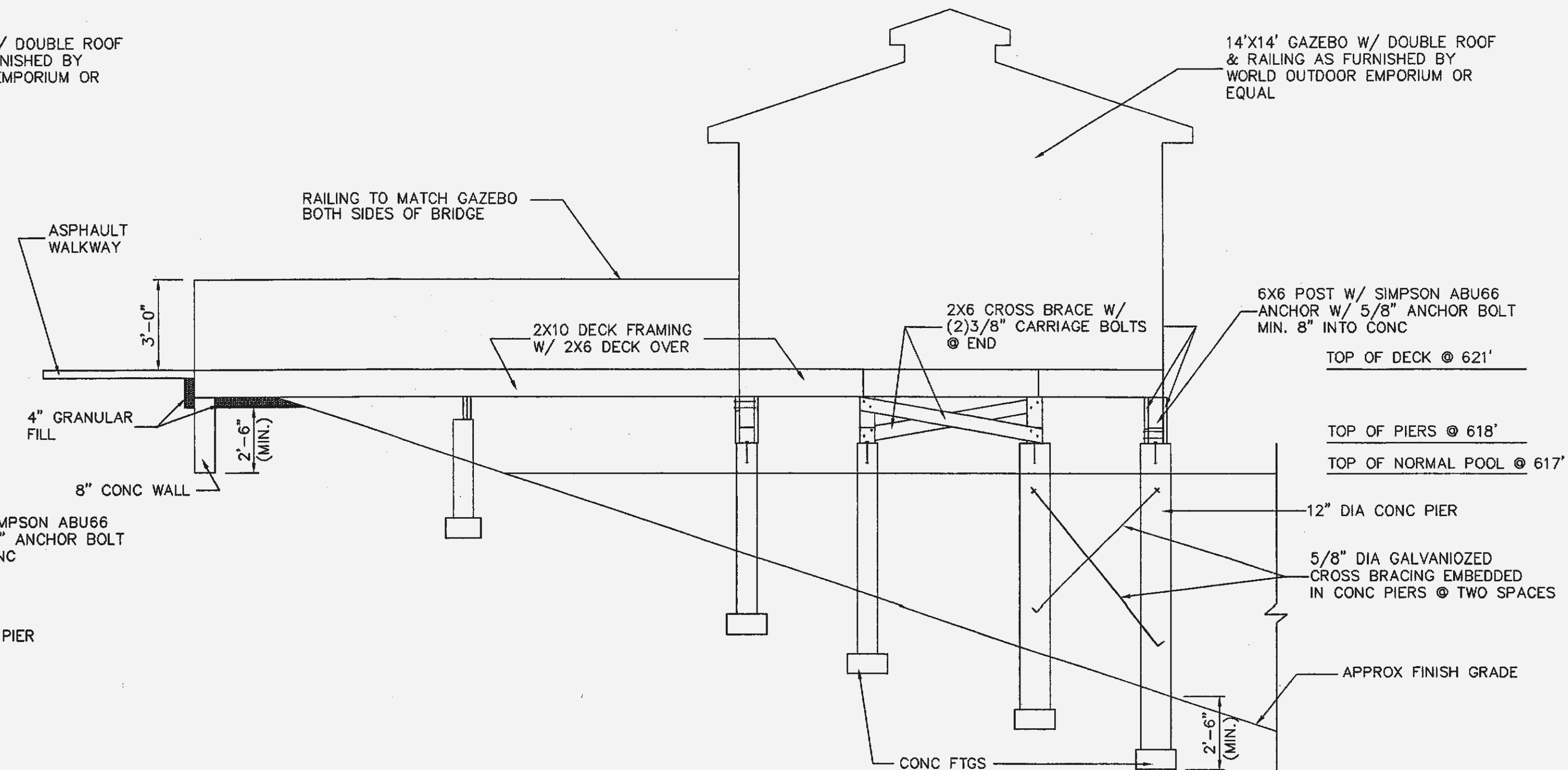
FRAMING PLAN

SCALE 1/4" = 1'-0"



LAKE SIDE ELEVATION

SCALE 1/4" = 1'-0"



SIDE ELEVATION

SCALE 1/4" = 1'-0"

ISSUE	REMARKS/DATE
1	04-20-08 City of O'Fallon Comments

PREPARED FOR:  
**McBride & Son Home, Inc.**  
 #1 McBride & Son Center Drive  
 Chesterfield, Missouri 63005  
 (636) 537-2000

PREPARED BY:  
**THE STERLING CO.**  
 ENGINEERS & SURVEYORS  
 5055 NEW BAUMGARTNER ROAD  
 ST. LOUIS, MISSOURI 63129  
 (314) 487-0440 FAX 487-8844  
 E-Mail: Sterling@sterling-co.net

PROJECT:	DESIGNED:	CHECKED:
		RJA
PROJECT TITLE: BOARDWALK DETAILS		

NO.	02	03	043
M.S.D.	SHEET		
P#	CD9		
DIGITAL FILE LOCATION	SERVER-STERLING-2		
ISS.	2008.muh.dwg		
OF			