

### VEGETATION ESTABLISHMENT For Urban Development Sites APPENDIX A

**SEEDING RATES:**

**PERMANENT:**  
Tall Fescue - 30 lbs./ac.  
Smooth Brome - 20 lbs./ac.  
Combined - Fescue @ 15 lbs./ac. AND Brome @ 10 lbs./ac.

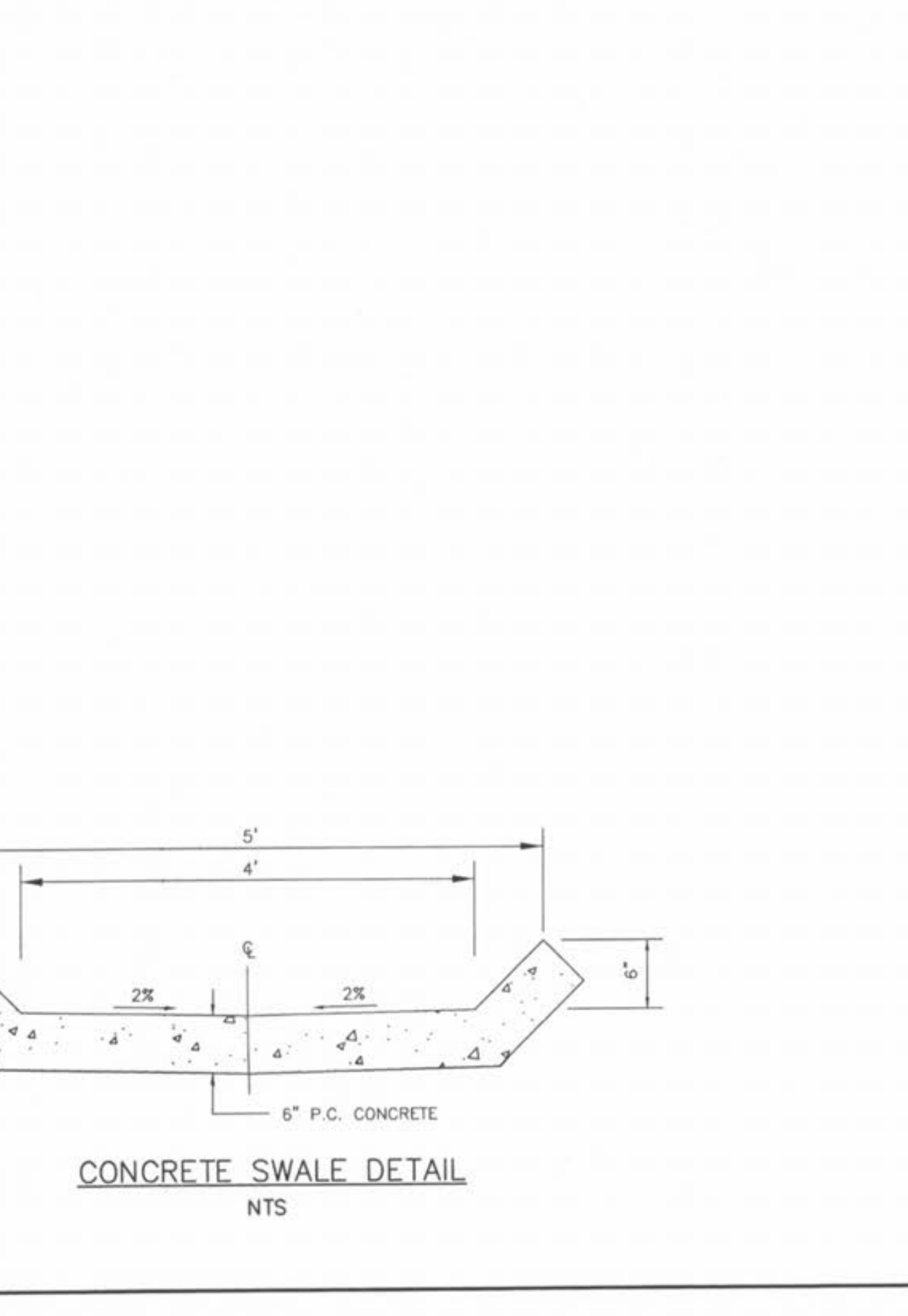
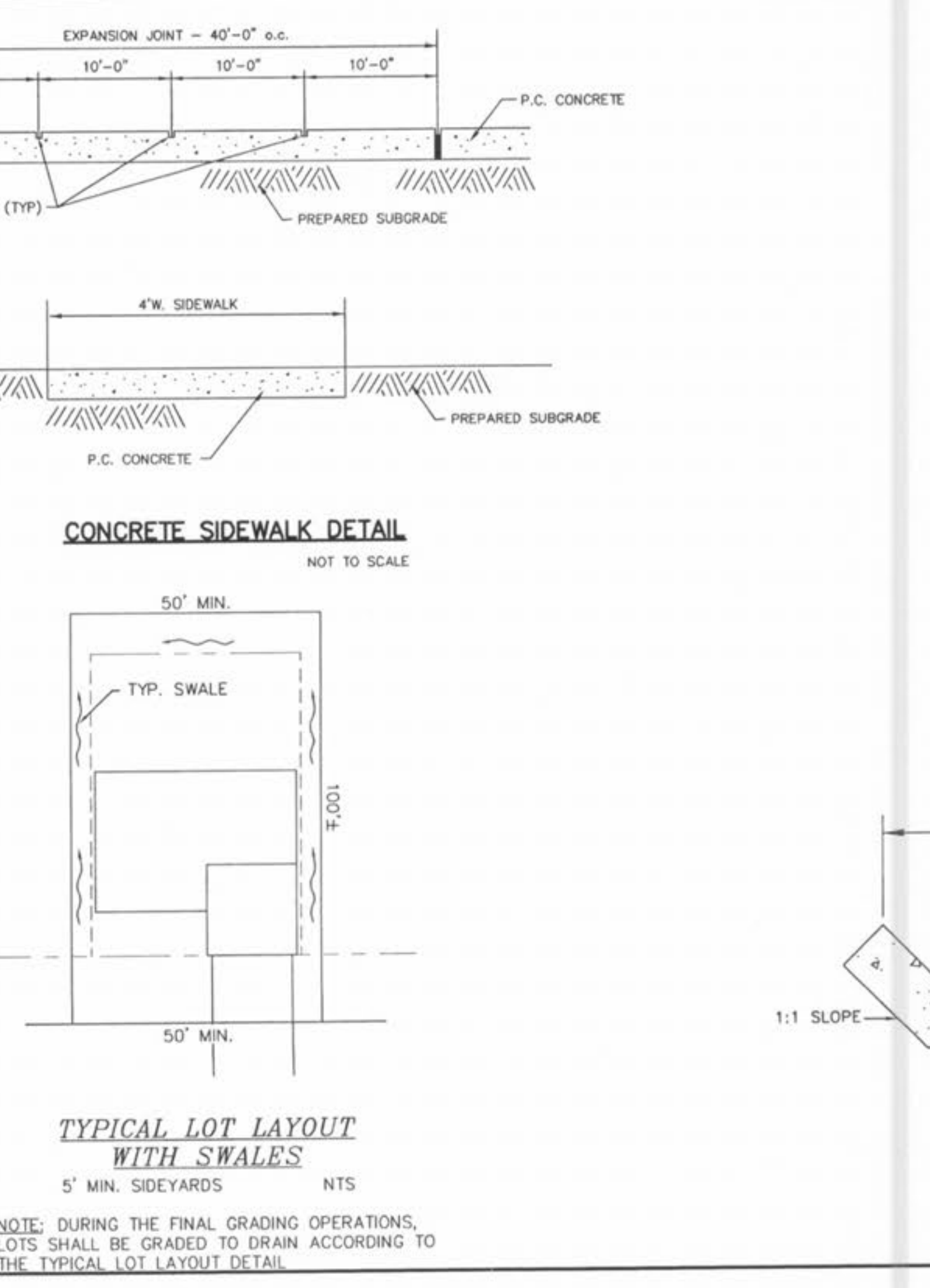
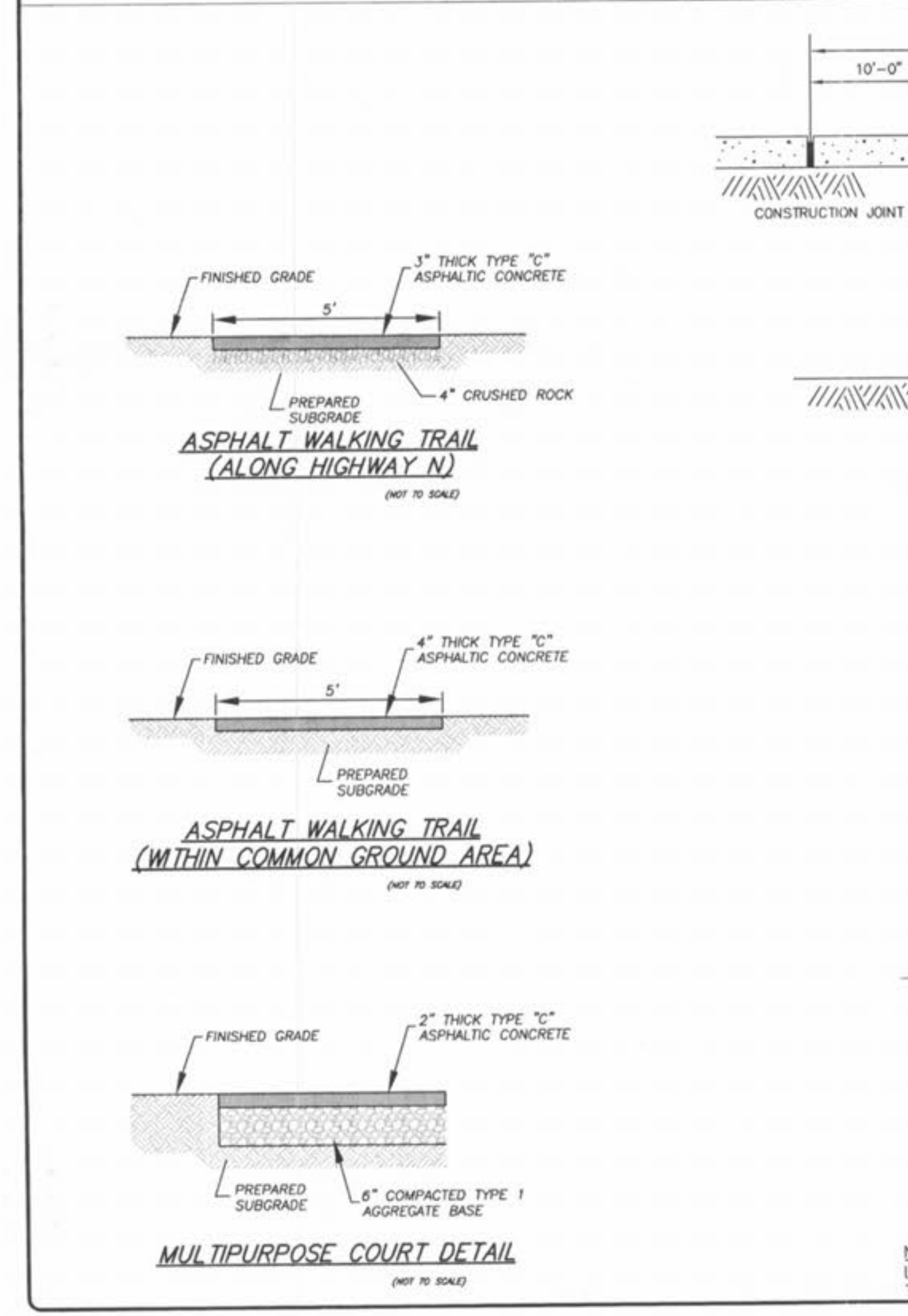
**TEMPORARY:**  
Wheat or Rye - 150 lbs./ac. (3.5 lbs. per sq. ft.)  
Oats - 120 lbs./ac. (2.75 lbs. per sq. ft.)

**SEEDING PERIODS:**  
Fescue or Brome - March 1 to June 1  
August 1 to October 1  
Wheat or Rye - March 15 to November 1  
Oats - March 15 to September 15

**MULCH RATES:**  
100 lbs. per 1000 sq. ft. (4,356 lbs. per ac.)

**FERTILIZER RATES:**  
Nitrogen 30 lbs./ac.  
Phosphate 30 lbs./ac.  
Potassium 30 lbs./ac.  
Lime 600 lbs./ac. ENM\*

\* ENM = effective neutralizing material as per State evaluation of quarried rock.



### TYPICAL YARD SWALE

Maximum Discharge (Q) = 4.00 cfs  
Maximum Velocity (V) = 4.00 ft/sec  
N = 0.030 (grass)  
Maximum side slopes = 3 (horizontal) : 1 (vertical)

Longitudinal Slope (X)	Discharge (cfs)	Velocity (ft/sec)	Depth (ft)
0.5	4.00	1.89	0.84
1.0	4.00	2.46	0.74
2.0	4.00	3.12	0.65
3.0	4.00	3.71	0.60
4.0	3.51	4.00	0.54
5.0	2.51	4.00	0.46
6.0	1.91	4.00	0.40
7.0	1.52	4.00	0.36
8.0	1.24	4.00	0.32
9.0	1.04	4.00	0.29
10.0	0.89	4.00	0.24

6.0' MINIMUM WIDTH  
3.0' 3.0'  
MIN. DEPTH 1.0'  
3:1 SLOPPED SIDE SLOPES

NO.	REVISIONS/DATE
1	11-14-02 1st Submittal
2	03-12-03 City Comments
3	04-02-03 City Comments
4	05-26-03 Client Revisions

PREPARED FOR: **McBride & Son Home, Inc.**  
#1 McBride & Son Center Drive  
Chesterfield, Missouri 63005  
(636) 537-2000

PREPARED BY: **THE STERLING CO.**  
ENGINEERS & SURVEYORS  
5055 NEW BAUMGARTNER ROAD  
ST. LOUIS, MISSOURI 63129  
(314) 444-4444  
E-mail: Sterling@sterling.net

DRAWN	DESIGNED	CHECKED
<b>BRIARCHASE</b>		
PROJECT:	SHEET TITLE: CONSTRUCTION DETAILS	
NO. 02 03 043	M.S.D.	SHEET CD2
DIGITAL FILE LOCATION: BOWER-STERLING-2	DATE: 10/26/04	OF